

# SPEED SANDER

by Timesavers

## SPEEDSANDER



This economically priced wide belt sander enables woodworkers shops to have a wide belt pass-through machine also in smaller workshops. With the SPEEDSANDER it is possible to sand bigger surfaces in a short time.

Although small and of a simple construction, the SPEEDSANDER is a complete wide belt sander for workpieces to 900 mm widths and 100 mm thickness. No limits in lengths of products. The machine is executed with a combination-head with a contact roller in it for stock removal and a pad for fine sanding.

Furthermore the machine is equipped with an endless conveyor belt to feed the products through the machine with a speed between 3 and 12 m/min. (can be adjusted continuously). The abrasive belt can be exchanged in one minute due to a quick change system and is controlled by an active electronic belt tracking device.

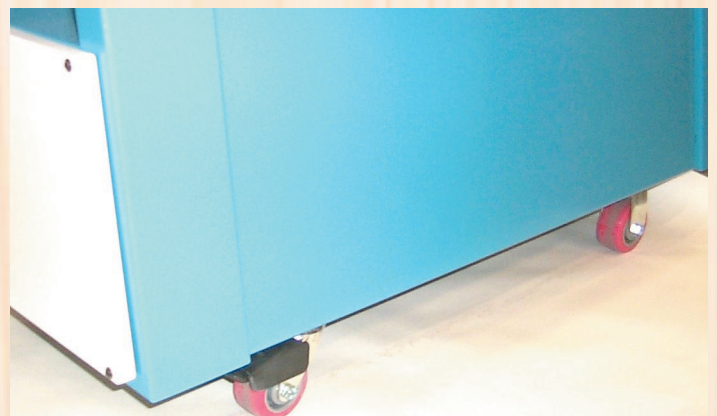
### Standard Specifications

- \* 900mm Workingwidth
- \* Combination sanding head (contact roller and sandingpad)
- \* 100 mm table opening
- \* 930 \* 1525 mm abrasive belt
- \* Rough top conveyor belt
- \* Outboard door interlock
- \* Emergency-stop buttons on outfeed
- \* Infeed emergency stop bar
- \* Conveyor belt tracking
- \* Air activated emergency brake
- \* Electronic abrasive belt tracking
- \* Quick lock holding device for abrasive belt changing
- \* 4,5 meter long power cable (plug and recepticle both provided)

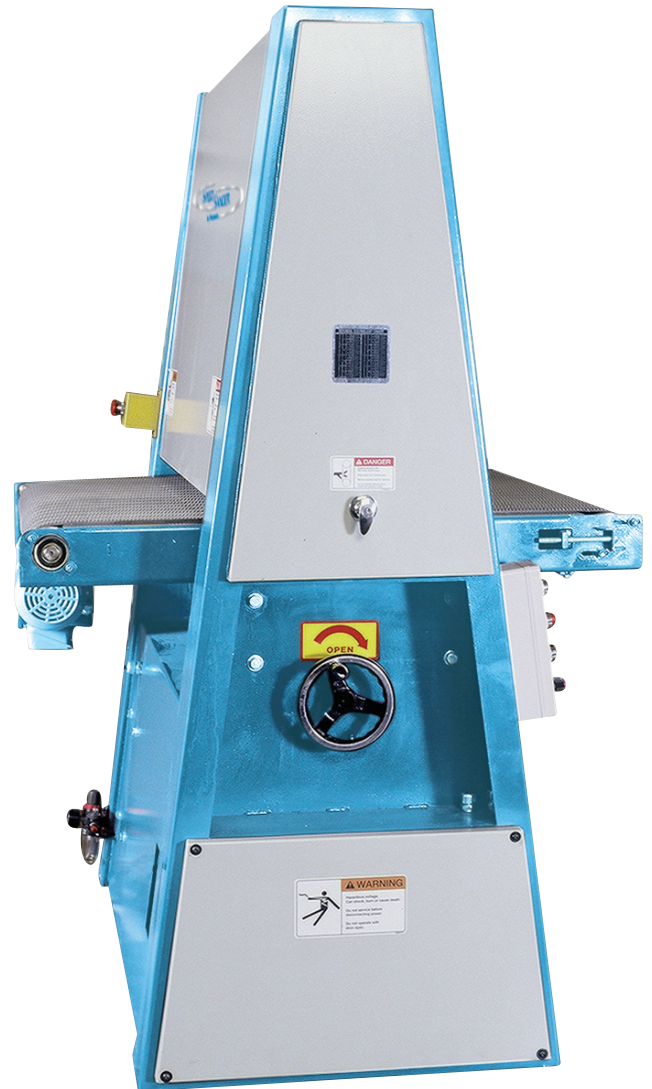
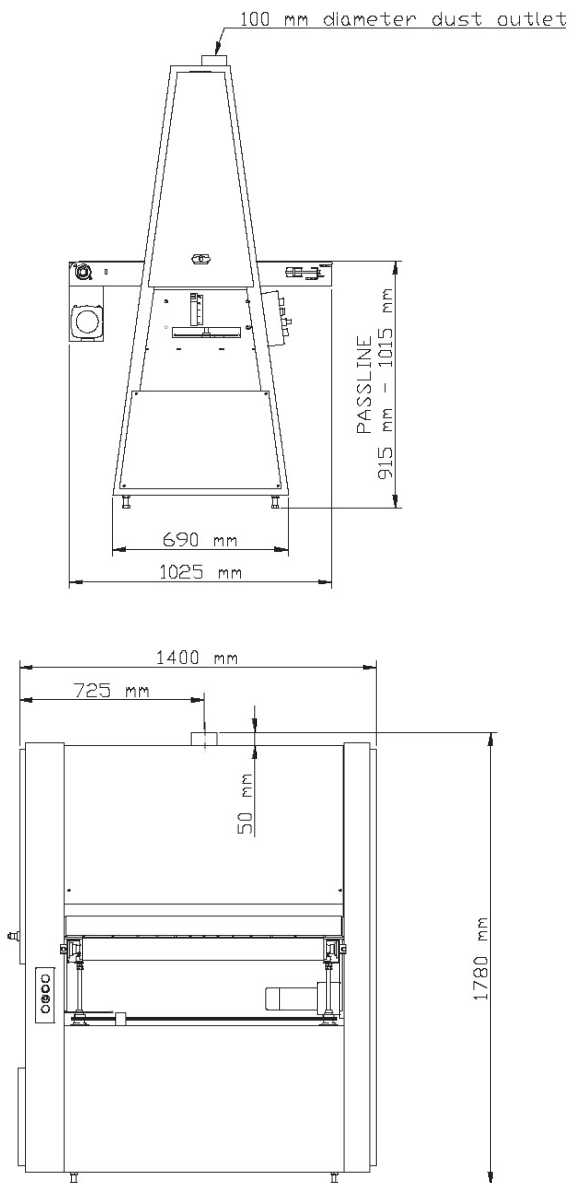
### Optional feature

- \* Caster set for portability

Because of the fact that the SPEEDSANDER is small and light, it can be moved easily to the place in the workshop where the sanding job must be done. As an option the machine can be executed with casters to make it even more mobile.



Contact roller diam.	Sanding-pad width	Installed power	Dust collection requirements	Shipping weight
100 mm	38 mm	7,5 kW	1000 m3/h	± 700 kg.



**SPEED SANDER**  
by Timesavers

**Timesavers International BV**  
Sandingmaster - Grindingmaster  
Fruitlaan 20-30, 4462 EP Goes  
P.O.Box 68, 4460 AB Goes  
the Netherlands  
Tel.: +31 113 238911  
Fax: +31 113 232003  
[www.timesaversint.com](http://www.timesaversint.com)  
[timesaversint@timesaversint.com](mailto:timesaversint@timesaversint.com)