

# INTEGRA

CNC Machining Cell for Doors, Windows and Door Frames

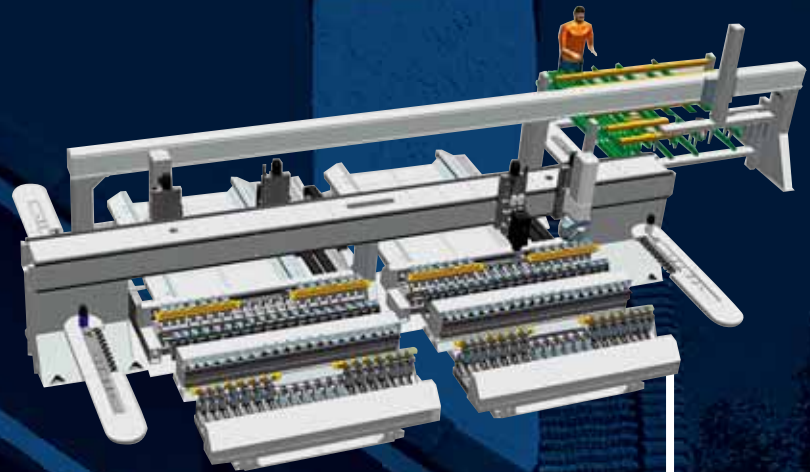




# OUR TECHNOLOGY BEHIND YOUR IDEAS

## INTEGRA

CNC Machining Cell for Doors, Windows and Door Frames



WORKING CONTROLS

CUTTING-OFF

PLANING

TENONING

PROFILING

DRILLING

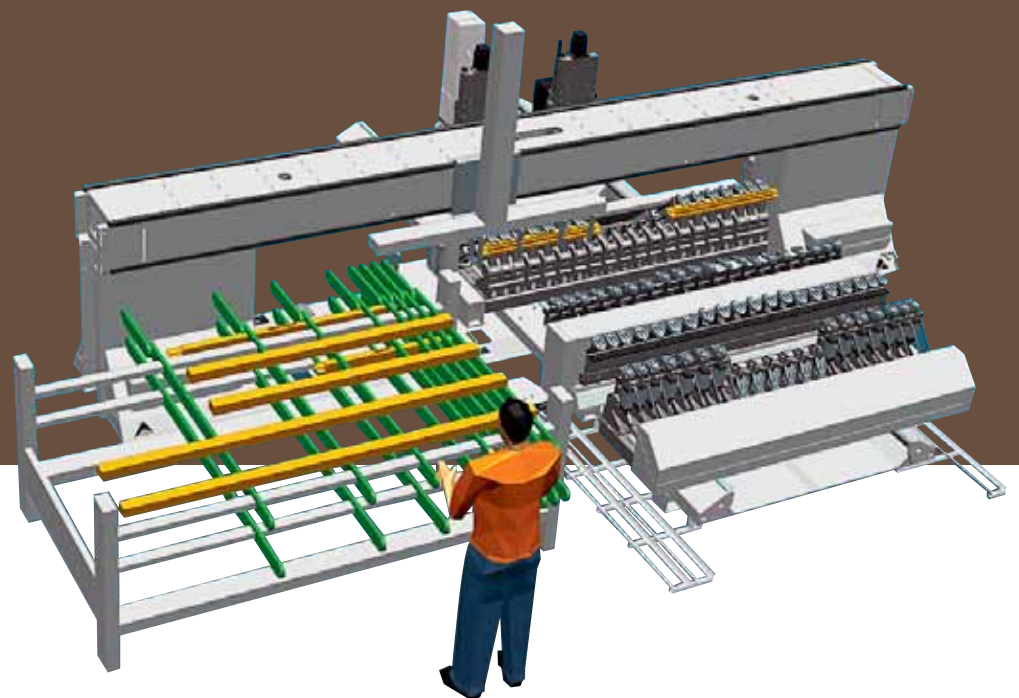
ROUTING

STORM-PROOFING AND ARCHES

MACHINING FOR HARDWARE

# INTEGRA

## FLEXIBLE AND MODULAR MACHINING CELL



The technical data can vary according to the requested machine composition. In this catalogue, machines are shown with options. The company reserves the right to modify technical specifications without prior notice; the modifications do not influence the safety foreseen by the CE Norms.



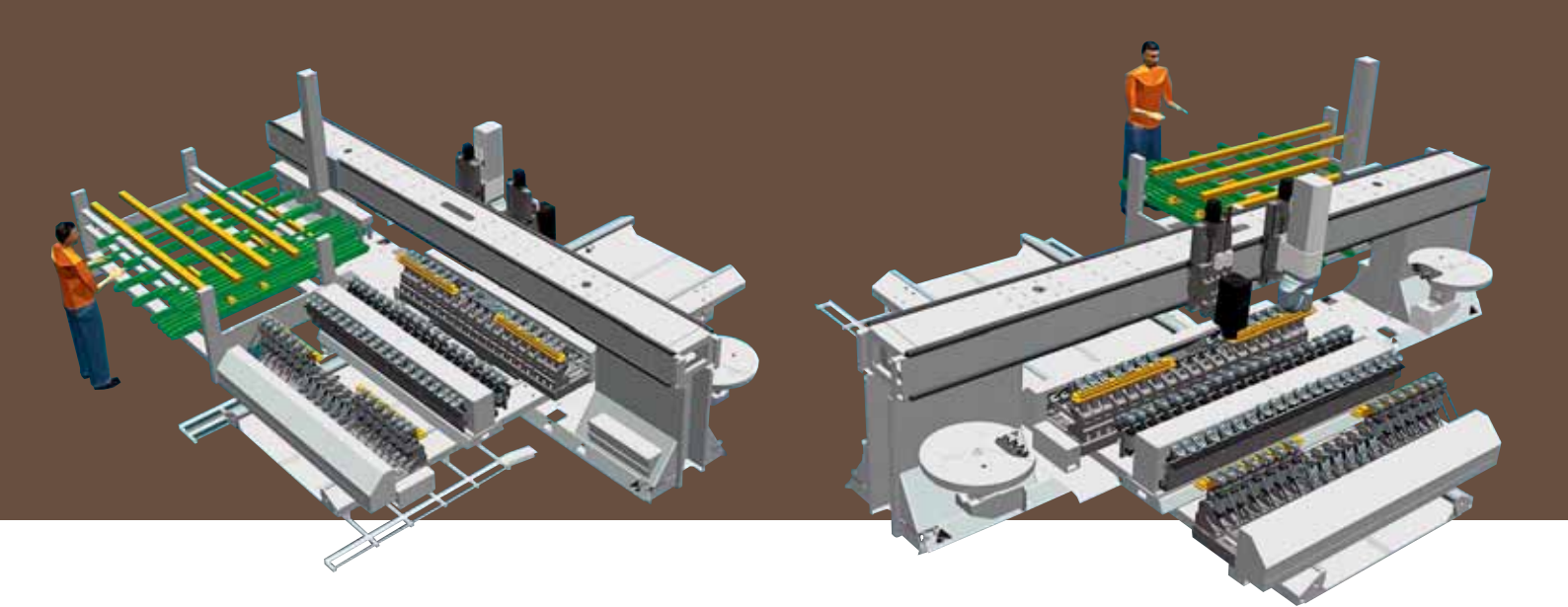
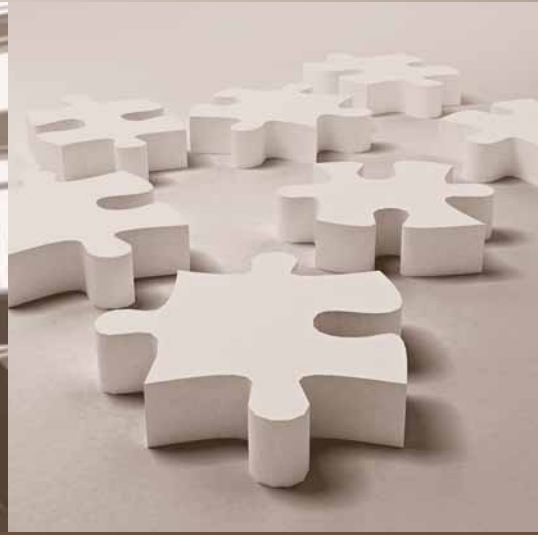
Realisation of every type of door and window



Modern Technology for high flexibility and for every usage



Automatic work cycle and integration with other machines



It is possible to realise prefinished doors and windows or storm-proofing independently from work piece joints, profiles and hardware

The worktable is designed for the execution of every type of profile ensuring the highest finishing quality. The spindles provide high power at low RPM and fast tool changing in order to reduce down-times to a minimum.

Completely automatic work cycle and loading/unloading buffer: the very best productivity with minimum intervention by the operator.

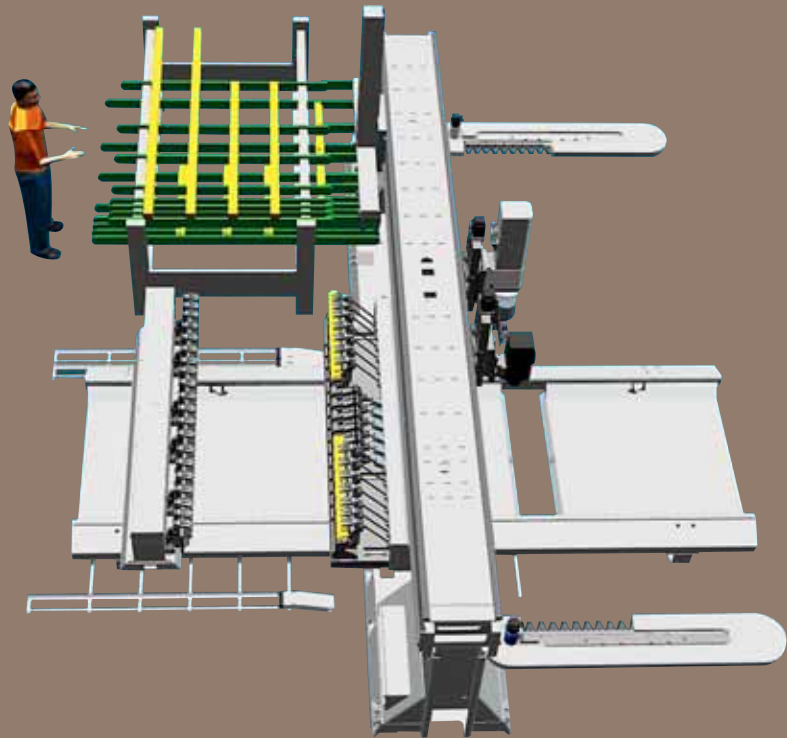


Realisation of every type of  
door and window

EASY TO USE, SELF-SUFFICIENT, PRECISE

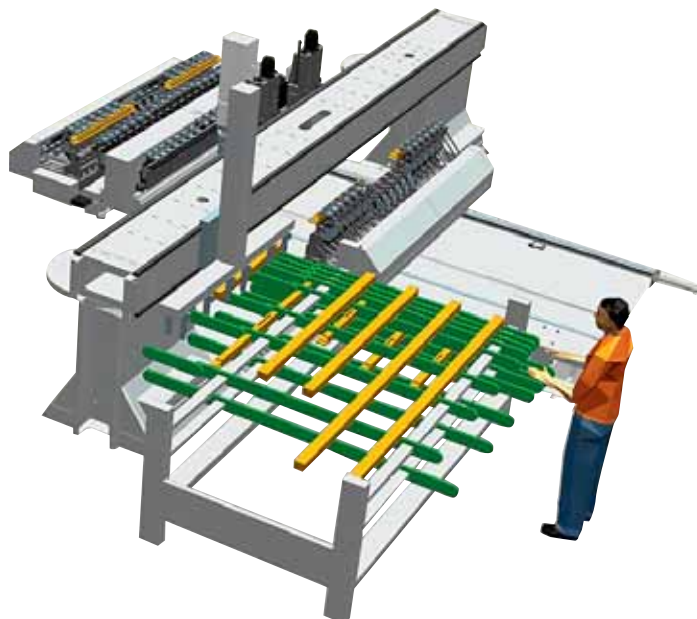
**Easy to use**

Completely automatic work cycle enabling  
all the executions on the work piece, with  
loading and unloading included.



**Self-sufficient**

It is possible to load and unload up  
to 20 work-pieces continuously without  
intervention by the operator.





### Precise

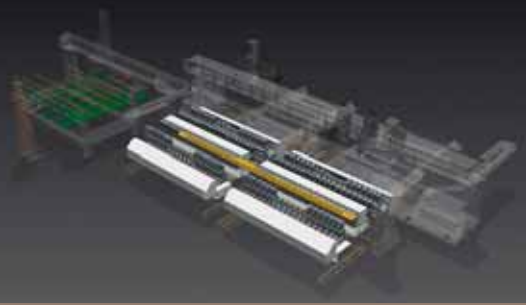
The Combiflex worktable ensures the work piece is correctly clamped independently from the type of profile and section to be executed. The direct exchange between collets avoids errors of parallelism and straightness. According to the machining cell configuration, the Combiflex worktable makes it possible for the processing of 2 to 8 work pieces at the same time, even with different length, width and height. According to the profile to be executed, it is also possible to re-clamp the work piece with the same carriage and in different positions or to have more exchanges of the work piece between the carriages.





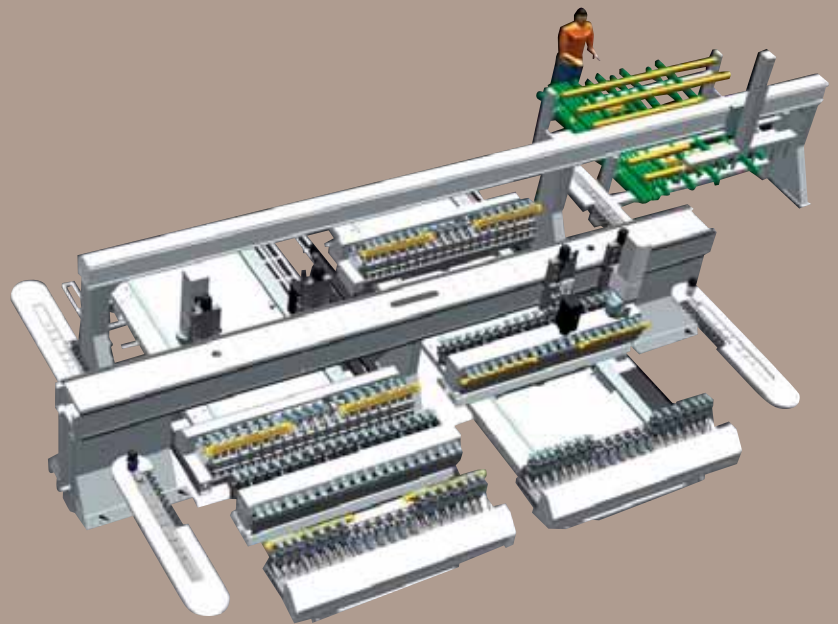
Realisation of every type of door and window

MODULAR, FAST, COMPLETE



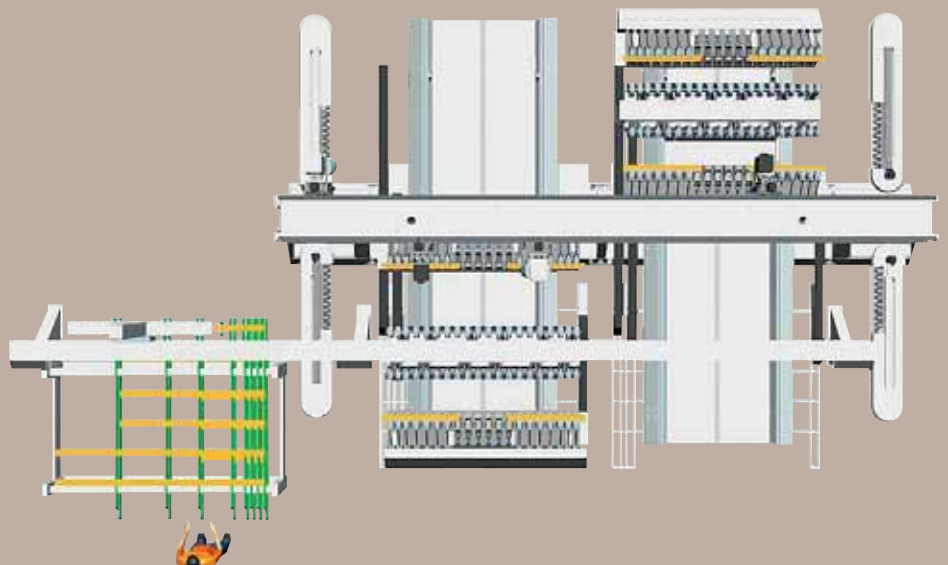
**Modular**

The Machining cell can be composed according to the work piece dimensions, type of frames and production capacity.

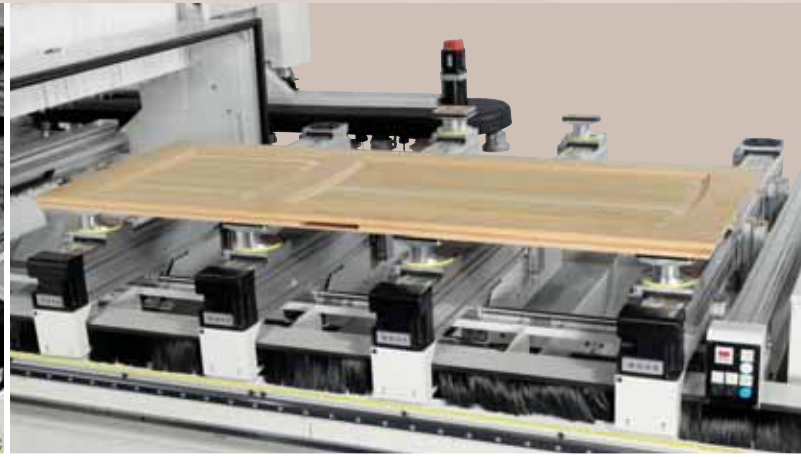


**Fast**

During the working cycle the loading/unloading of work pieces is in masked time and it is also possible the superimposition of the working cycle during the tenoning, profiling and drilling-routing operations. In this way it is possible to have high production capacity of up to 75 door and window frames/working shift.

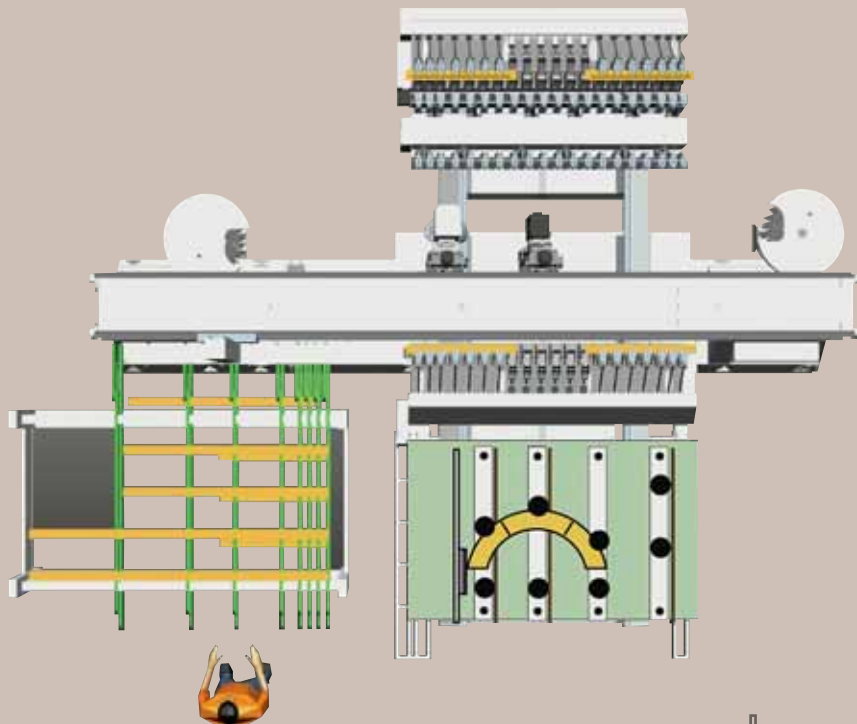






### Complete

FX worktable can be fitted both in semi-automatic and automatic configurations, enabling the execution of arches, storm-proofing of sashes, doors and shutters. The operator only manages the loading and unloading of the work pieces.





Modern Technology for  
high flexibility and for every  
usage

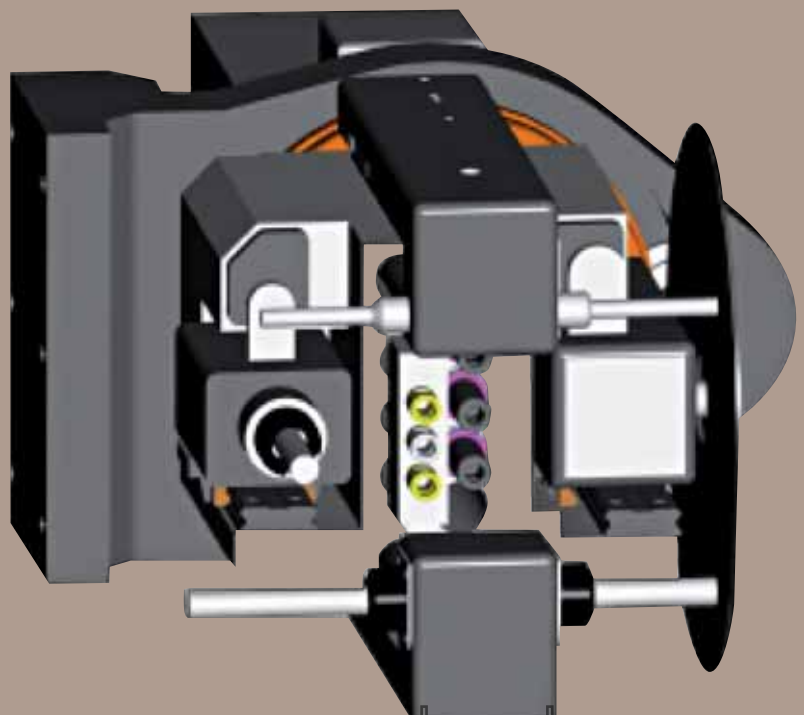
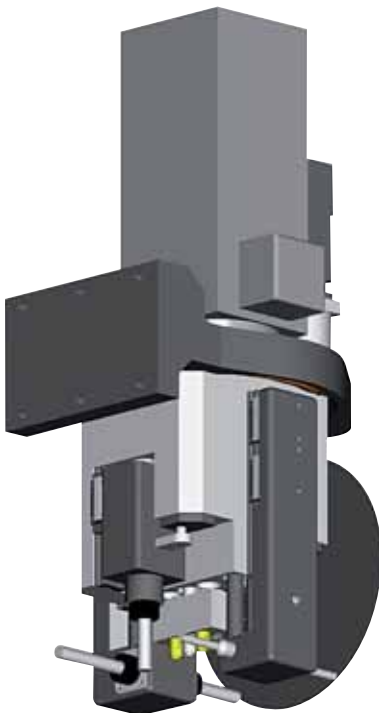
## TECHNOLOGY AND HIGH PERFORMANCE WITHOUT HALF-MEASURES

### Flexible

3 and 5 axis electrospindles with HSK 63E tool chuck with power available at low revolutions, ideal for tools with large dimensions.

The device for chips removal with 2-position vertical positioning is the suitable solution for frames with 92mm thickness. This device is also available on the 5 axis Machining Head.

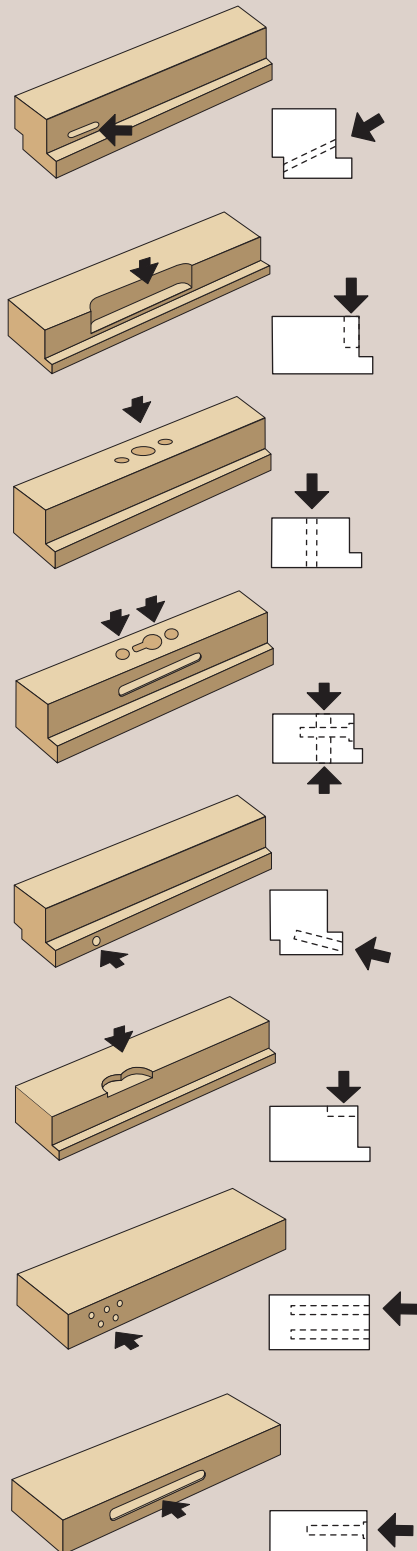
The BRC drilling, routing and cutting-off machining head ensures high flexibility and productivity without using commercially available driven heads.





### Spacious

According to production requirements and the type of door and window frames, the machine can be fitted with toolholders of up to 48 stations, positioned in sequence, for a total capacity of more than 300 tools.



### Fast

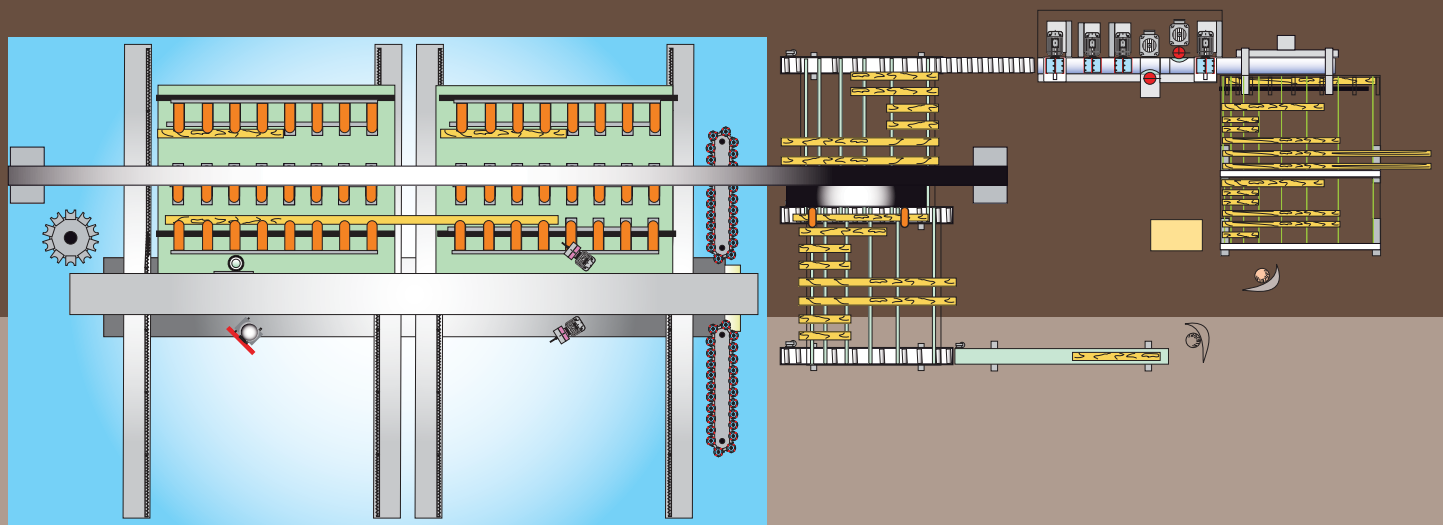
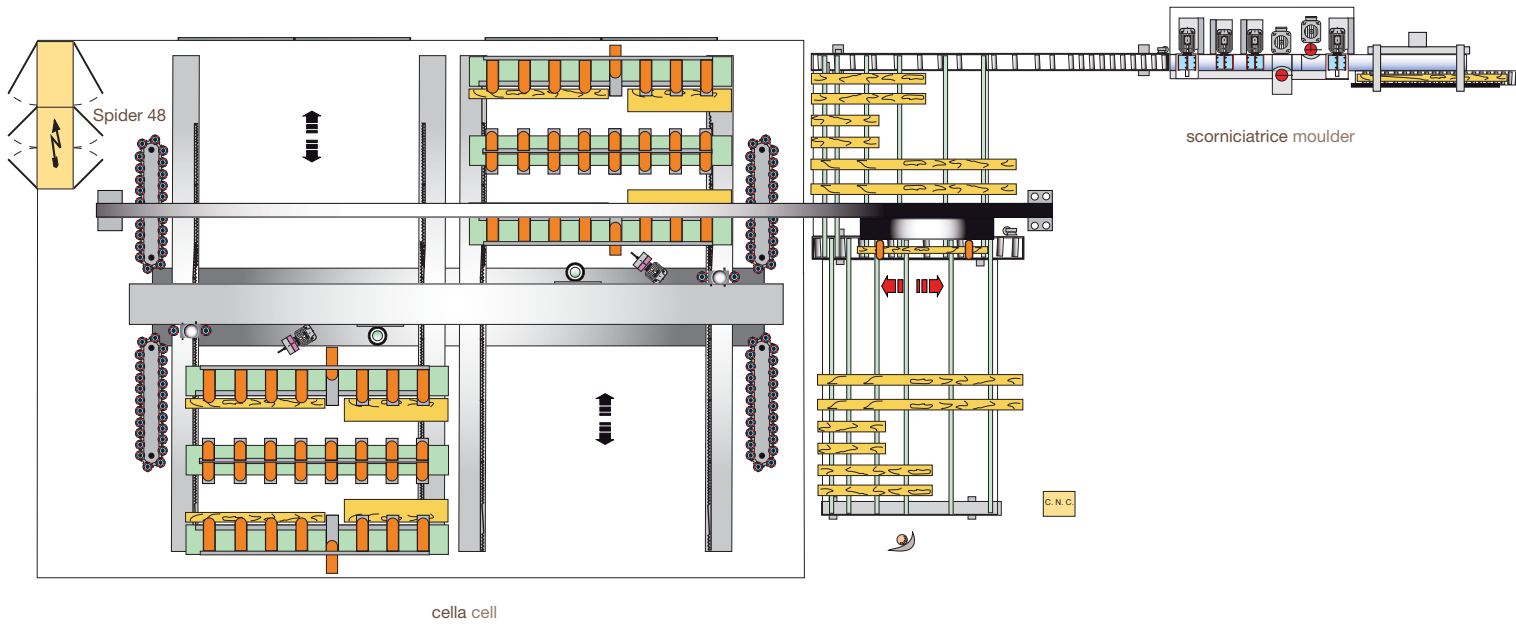
The "Mach 5" rapid tool changing device enables electrospindle tool changing in only 5 seconds (wood-to-wood), reducing down-times to a minimum during the processing.



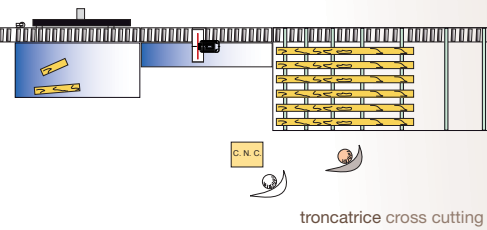


Automatic work cycle and integration with other machines

# INTEGRA SYSTEM THE INTEGRATION OF WORKING PROCESSES



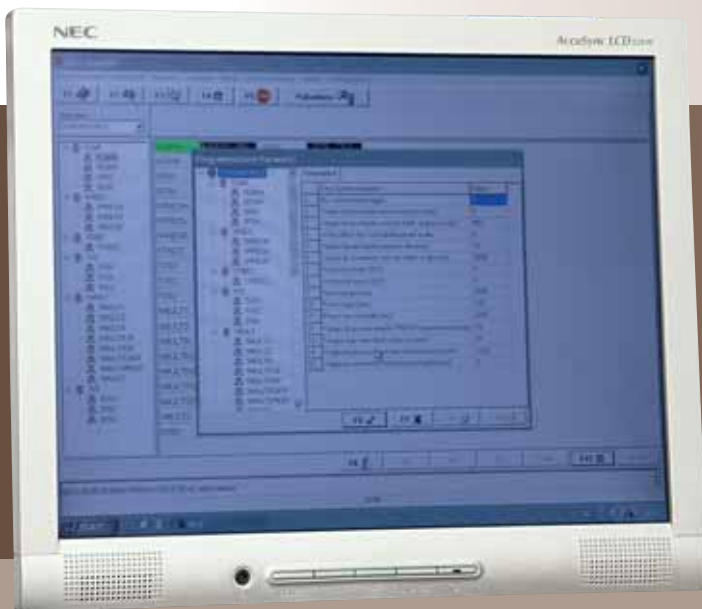
# INTEGRA



## Complete working process

According to production requirements, it is possible for the integration of:

- Cutting-off and cutting optimisation
- Planing and glazing bead recovery
- Sanding
- Insertion of glue and dowels
- Glazing bead recovery
- Laser or Ink-jet work piece marking



## Line supervisor

"Next" is the operator-machine interface software capable of integrating, controlling and communicating with all the machines in line. Re-start function and waste control included.



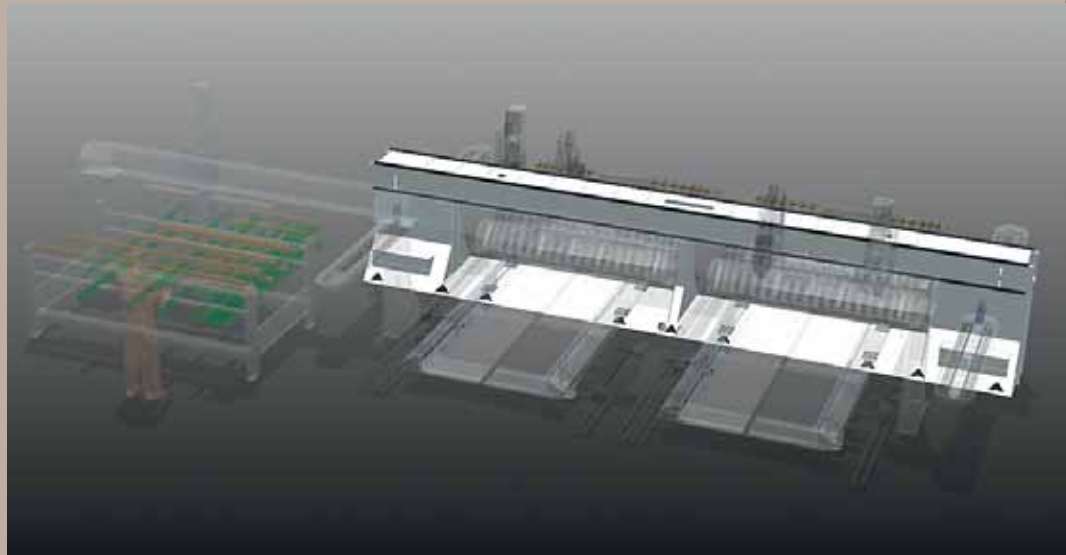


Modern Technology for  
high flexibility and for every  
usage

## LEADING MECHANICAL STRUCTURES AND ELECTRONICS

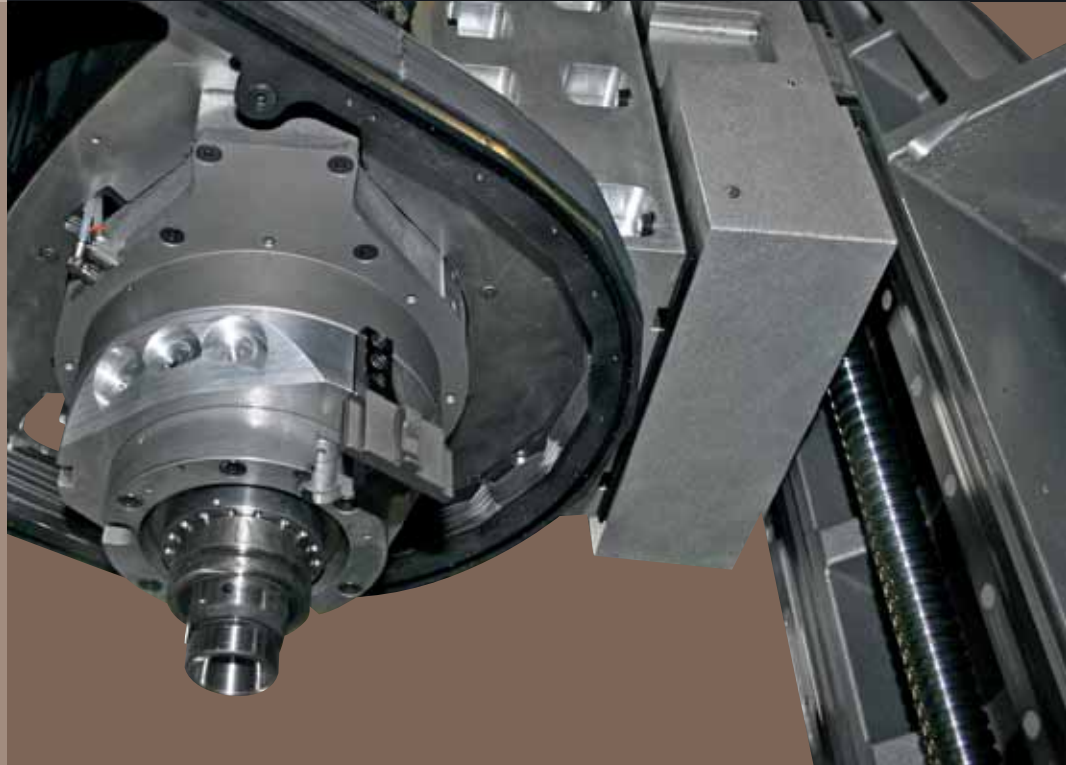
### Structure

Monobloc structure designed with the assistance of solid modelling systems (mechanical joints avoided). All mechanical machining is performed on CNC Machining Centres with a single positioning operation to guarantee precise processing.



### Drive

The positioning of all working units is through rack or female screw with recirculating balls, according to the movement of weight, and slides along prismatic guideways. Brushless Motion Control with digital drives ensuring high precision in reduced production times.



EASY SOFTWARE  
AT CUSTOMER SERVICE

# INTEGRA



### Operator interface

"Maestro" makes easy and intuitive the programming.

It is possible:

- manage all the machining process included working plate
- create Mix of production
- generate programs using an Editor with graphical icons
- signal the presence of wrong pieces
- keep in memory all tools data
- guide the operator during the machining with graphic support
- visualize the diagnostic and data of production made/to make

### TELEASSISTANCE

ERROR SIGNAL MANAGEMENT.

MALFUNCTION LOCALIZATION MANAGEMENT.

MACHINES PARAMETER MANAGEMENT.

CALIBRATION MANAGEMENT

scm group service

[www.hoechsmann.com](http://www.hoechsmann.com)

# EPP

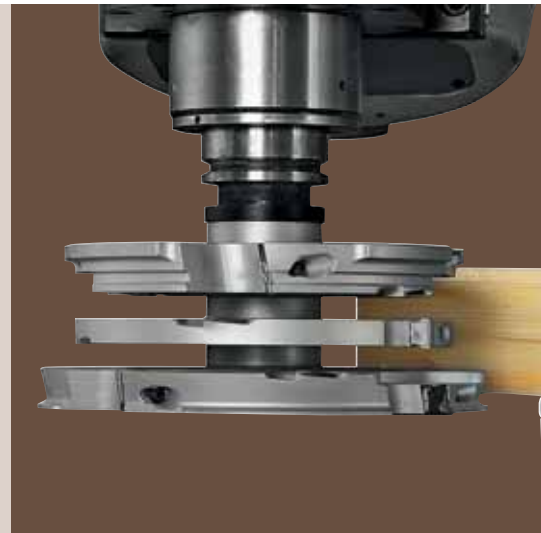


Always on  
the edge  
with EPP

## ECO POWER PACK, HIGH PERFORMANCE AND ENERGY SAVING

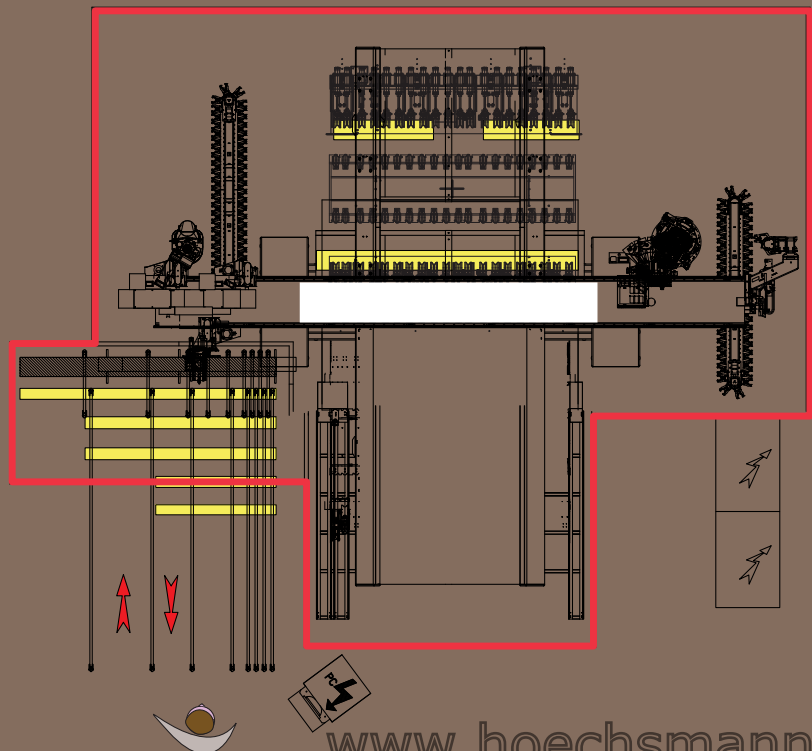
### Energy Saving

- The optimum feed speed according to the material, tool and power used on the spindle
- Automatic recognition of non-operating motors and setting them to stand-by
- Exhaust outlets opening according to the machining taking place.



### SAFE

The machining area is separated from the operators position: the operator works in completely safe conditions. Upon request is also available the soundproof enclosure.



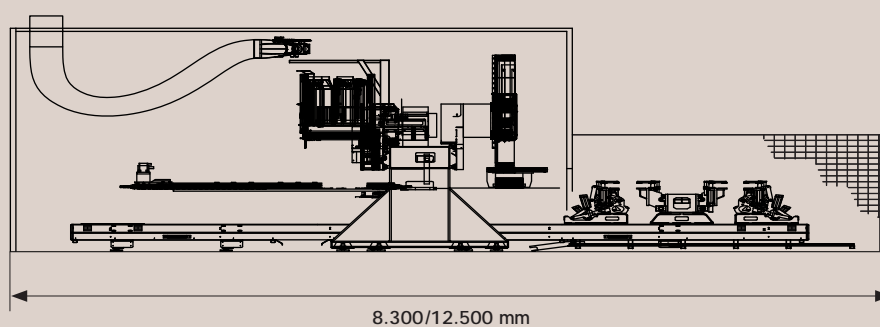
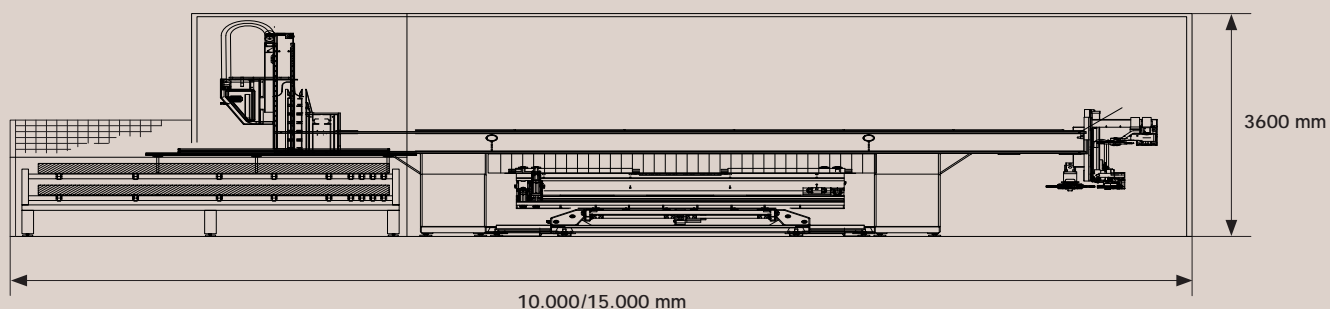


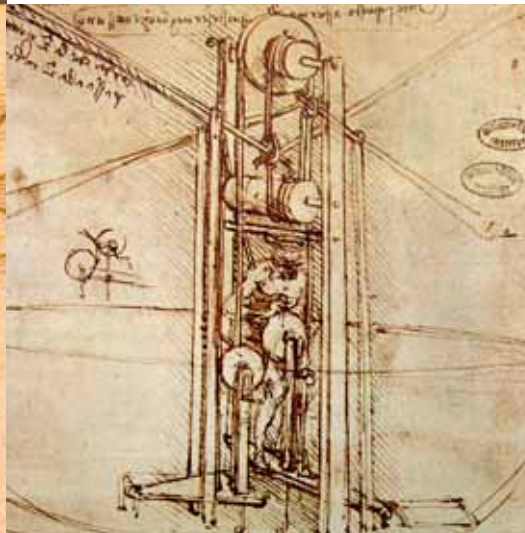
## TECHNICAL SPECIFICATIONS

# INTEGRA

|                                   |    |                      |
|-----------------------------------|----|----------------------|
| Min/max working length            | mm | 210÷3200 (opt 6.500) |
| Min/max working width             | mm | 30÷220               |
| Min/max working thickness         | mm | 20÷100 (opt 160 mm)  |
| Real distance under worktable     | mm | 110                  |
| Height of tenoning from worktable | mm | 1020                 |

## OVERALL DIMENSIONS





A leading industrial group, in the design, production and distribution of technologically advanced solutions for processing a wide range of materials: wood, glass, plastic, marble, metal, composites.

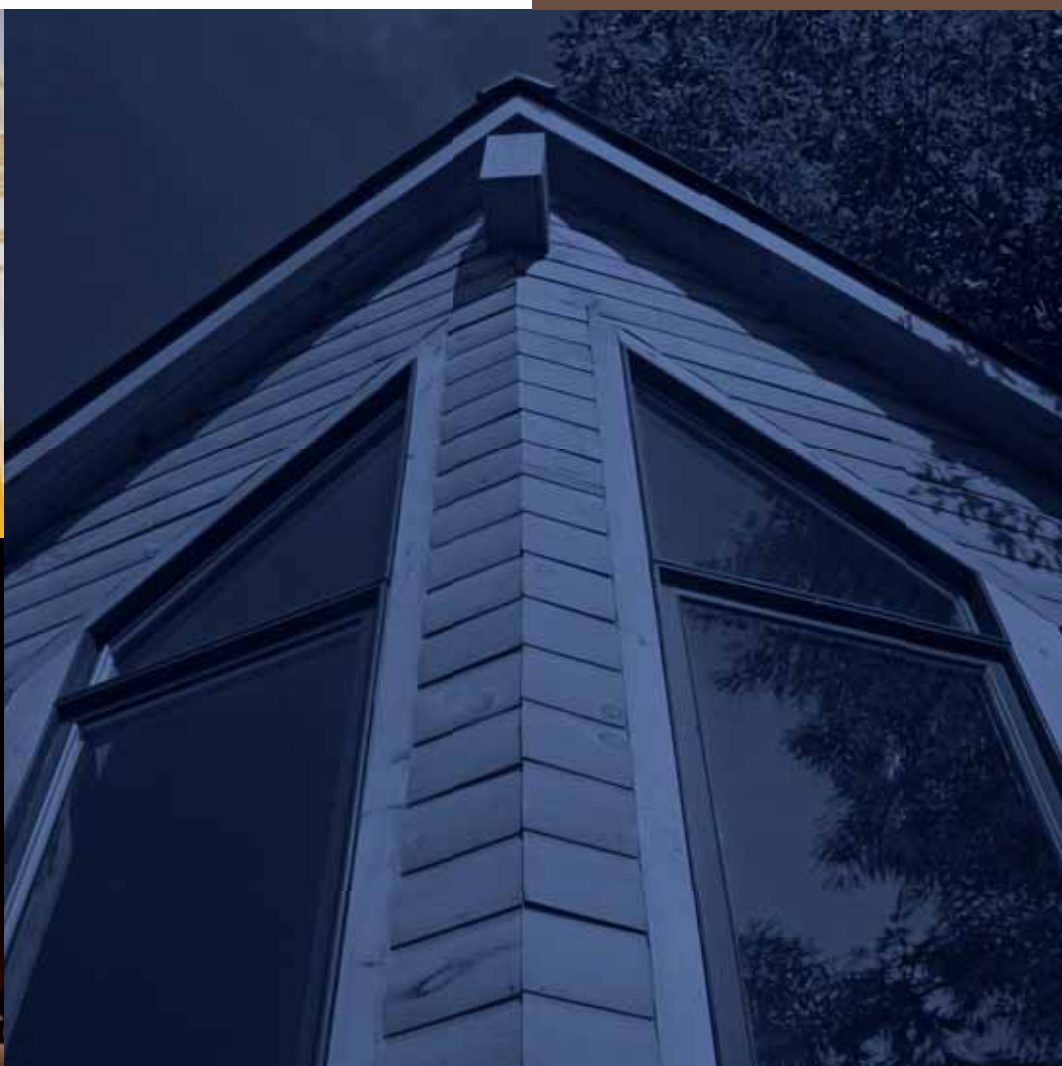
With specialist brands in the different application sectors and centres of excellence qualified in industrial components, present for over 50 years in the 5 continents.

**PASSION.** It's the passion for our work. It's the central role of man, his creative genius, the spirit of initiative and the ability to work in a team.

**TECHNOLOGY.** Is the scientific rigour that transforms creativity in highly technological solutions, which are accessible and able to provide competitive advantages.

**PERFORMANCE.** Is the commitment that is transformed in results and success of our partners that rely on SCM Group solutions. It's being recognised as suppliers of "competitive advantages that last over time".

# THE BEST GLOBAL PARTNER FOR THE WOODWORKING COMPANIES



Since 1952 Scm supports the small woodworking companies and the manufacturers of made-to-measure furniture by means of user-friendly and innovative technological solutions, distributed by the

world's best sales network, constantly trained and updated in order to offer on local basis a global competence to the advantage of woodworking companies.

SINCERT



REG. N. 991/B  
UNI EN ISO 9001:2008

[www.hoechsmann.com](http://www.hoechsmann.com)



00L0029969A

Rev. n. 00 - 09/2010 - Acanto comunicazione - Olimpia - Pazzini



SCM GROUP SpA - SCM - Via Casale, 450 - 47826 Villa Verucchio (RN) - Italy  
Tel. +39/0541/674111 - Fax +39/0541/674235 - [www.scmgroup.com](http://www.scmgroup.com) - [housing@scmgroup.com](mailto:housing@scmgroup.com)

[www.hoechsmann.com](http://www.hoechsmann.com)