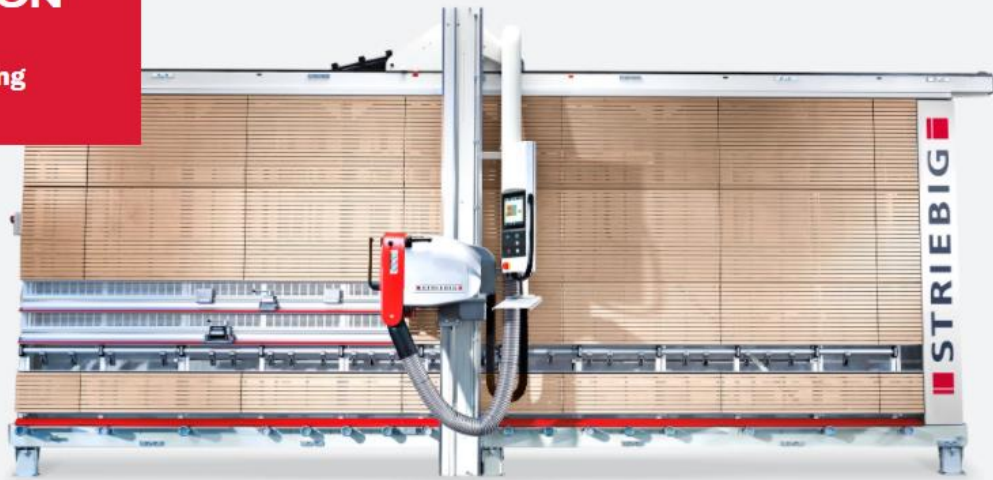


EVOLUTION

Entry level to
automatic sawing
functions



EVOLUTION – precision, ergonomics and functionality perfectly combined

Highlights of the STRIEBIG EVOLUTION

Always a good decision

For years, the EVOLUTION has been at the forefront of hand-guided vertical panel saws. An EVOLUTION embodies high value through its appearance and quality. Numerous automatic functions facilitate your daily work.

Touch and work

“Touch & saw” – this revolutionary concept lets you operate the saw safely and easily.

The fingertip is enough to control the EVOLUTION. The 12" color display of the touch screen visualises all functions.



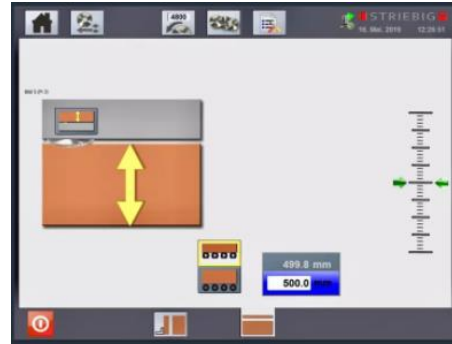
Saw beam & saw unit – always the right cut

The automatic swivelling and the automatic insertion and removal of the sawing unit are functions of the STRIEBIG EVOLUTION that support the sawing process.



Automatic fine adjustment of the sawing unit during horizontal cutting

The sawing unit is positioned to the approximate cutting height for horizontal cutting. When the arrow on the scale in the control unit turns green, the motor carriage will automatically lock and fine adjustment will be performed automatically.



Entry level to automatic sawing functions

Every EVOLUTION is well-equipped when it leaves the factory. You can customise it even further thanks to the wide range of options. Let your STRIEBIG specialist partner advise you.

Standard equipment

Comprehensive standard equipment

- 12" inch touch screen computer with optimum operator guidance
- Laser-supported display of the horizontal cut
- Digital measuring system DMS-XY
- Automatic saw beam locking with interface recognition
- Automatic locking and swivelling of the sawing unit
- Automatic insertion and removal of the sawing unit
- Automatic fine adjustment of the sawing unit
- Operating time counter
- Tool database
- ALU centre support over the entire machine length
- Integrated, powerful TRK dust extraction. Dust limit value around 1 mg/m³
- Control cabinet directly attached to the saw frame
- Super-silent noise insulation

Technical specifications

| | |
|--|-------------------|
| Weight of the saw | approx. 1.100 kg |
| Cutting depth | 80 mm *1 |
| Saw motor power | 5.5 kW (7.5 HP) |
| Saw blade diameter | 300 mm |
| Saw blade bore | 30 mm *2 |
| Emission sound pressure level at the workplace L _{pA} | 83 dB *3 |
| Saw blade speed | 4800 rpm |
| 1 extraction connection | ø 140 mm |
| Compressed air connection | 6-10 bar |
| Wattage | 7.5 kW |
| Network connection | 3 x 400 V / 50 Hz |

*1 Option: 103 mm ·

*2 with 2 side holes Ø 9 mm, radius 30 mm ·

*3 Measurement standards and emission values according to EN 1870-14, measurement uncertainty allowance K = 4dB (A). (All data refers to EVOLUTION type 6224)

For all machines the following applies:

Efficient TRK dust extraction significantly below 2 mg/m³. The system used must have an extraction performance of 20 m/s in order to meet the TRK specifications. (Vacuum approx. 1400 Pa. / COMPACT approx. 1470 Pa) at the connector in order to meet the TRK specifications.

Technical note:

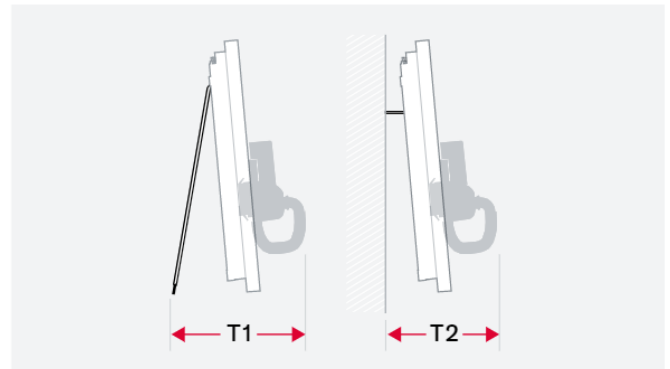
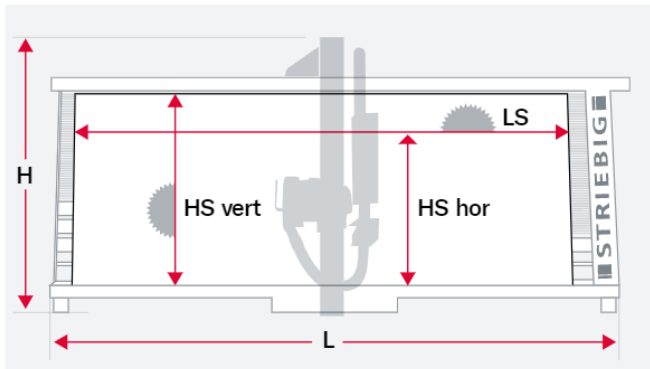
Permissible ambient temperature min: + 5 °C / max. + 40 °C

Relative humidity: 19 - 95% without condensation

In case of mains fluctuations greater than +/- 10% of the nominal voltage, a voltage stabiliser must be installed at the place of use.

The technical specifications are approximate values.

We reserve the right to make changes due to further developments.



Dimensions in mm

| Type | L | H | T1 free | T2 Wall |
|------|------|------|---------|---------|
| 6224 | 6645 | 3018 | 1741 | 1361 |
| 6216 | 6645 | 2934 | 1700 | 1354 |
| 6168 | 6645 | 2460 | 1500 | 1312 |
| 5224 | 5645 | 3018 | 1741 | 1361 |
| 5216 | 5645 | 2934 | 1700 | 1354 |
| 5168 | 5645 | 2460 | 1500 | 1312 |
| 4224 | 4645 | 3018 | 1741 | 1361 |
| 4216 | 4645 | 2934 | 1700 | 1354 |
| 4168 | 4645 | 2460 | 1500 | 1312 |

Cutting area in mm

| Type | LS | HS vertical | HS horizontal |
|------|------|-------------|---------------|
| 6224 | 5300 | 2240 | 2100 |
| 6216 | 5300 | 2160 | 2016 |
| 6168 | 5300 | 1680 | 1540 |
| 5224 | 4300 | 2240 | 2100 |
| 5216 | 4300 | 2160 | 2016 |
| 5168 | 4300 | 1680 | 1540 |
| 4224 | 3300 | 2240 | 2100 |
| 4216 | 3300 | 2160 | 2016 |
| 4168 | 3300 | 1680 | 1540 |