

# Mechanical handling

## for moulders



# Mechanical outfeed solutions

System TM offers a wide range of standard, well proven mechanical handling solutions for the automation of moulding machines and planers. The automation equipment is designed to increase the capacity from the moulding machine and reduce labour costs. The mechanical handling can compliment any make of moulding machine.

To make life easy we offer standard solutions as well as fully customised projects when required. The standard packages offer a range of infeed and outfeed systems that can be mixed and matched, but, also allow for additional equipment to be added at a later date, the line can grow with your company. If the mechanical handling system you need is not shown, please contact System TM who will work with you to develop your ideas and needs.

## Outfeed, concept 1:

- Acceleration belt conveyor
- Pneumatic drop plate
- Cross belt conveyor
- Manual stacking

## Outfeed, concept 2:

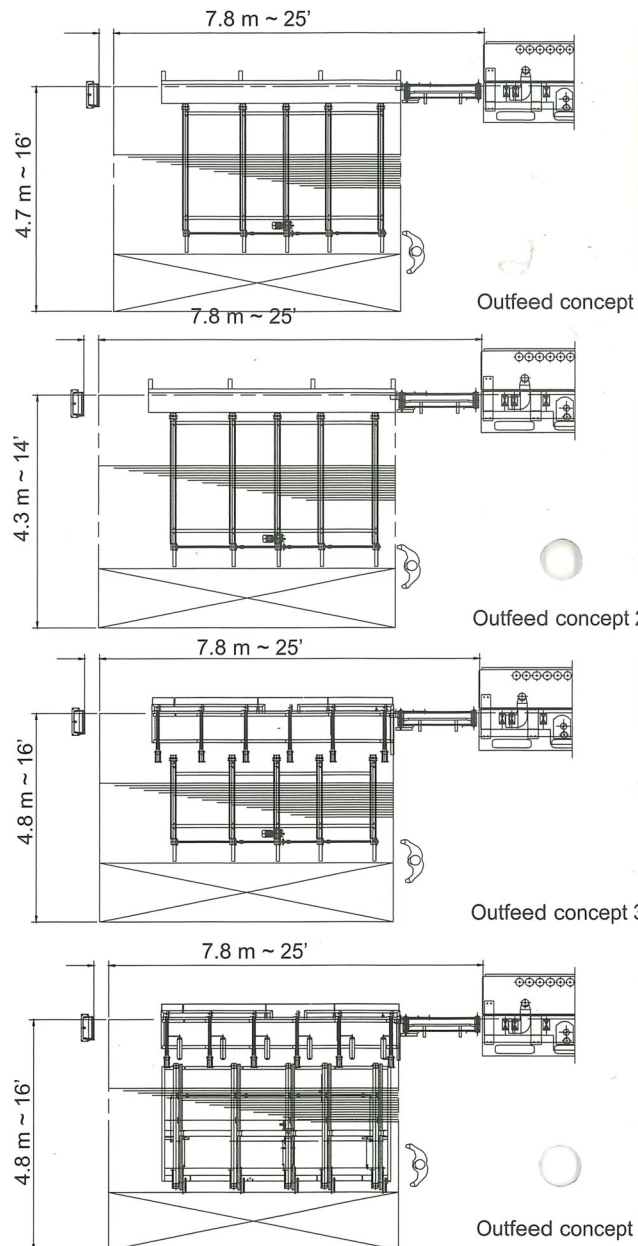
- Acceleration belt conveyor
- Pneumatic drop plate
- Cross belt conveyor
- Scissors lift
- Manual stacking

## Outfeed, concept 3:

- Acceleration belt conveyor
- Stud carrier prepared for automatic stacking
- Cross belt conveyor
- Scissors lift
- Manual stacking

## Outfeed, concept 4:

- Acceleration belt conveyor
- Stud carrier and fair ending rollers
- Automatic stacker

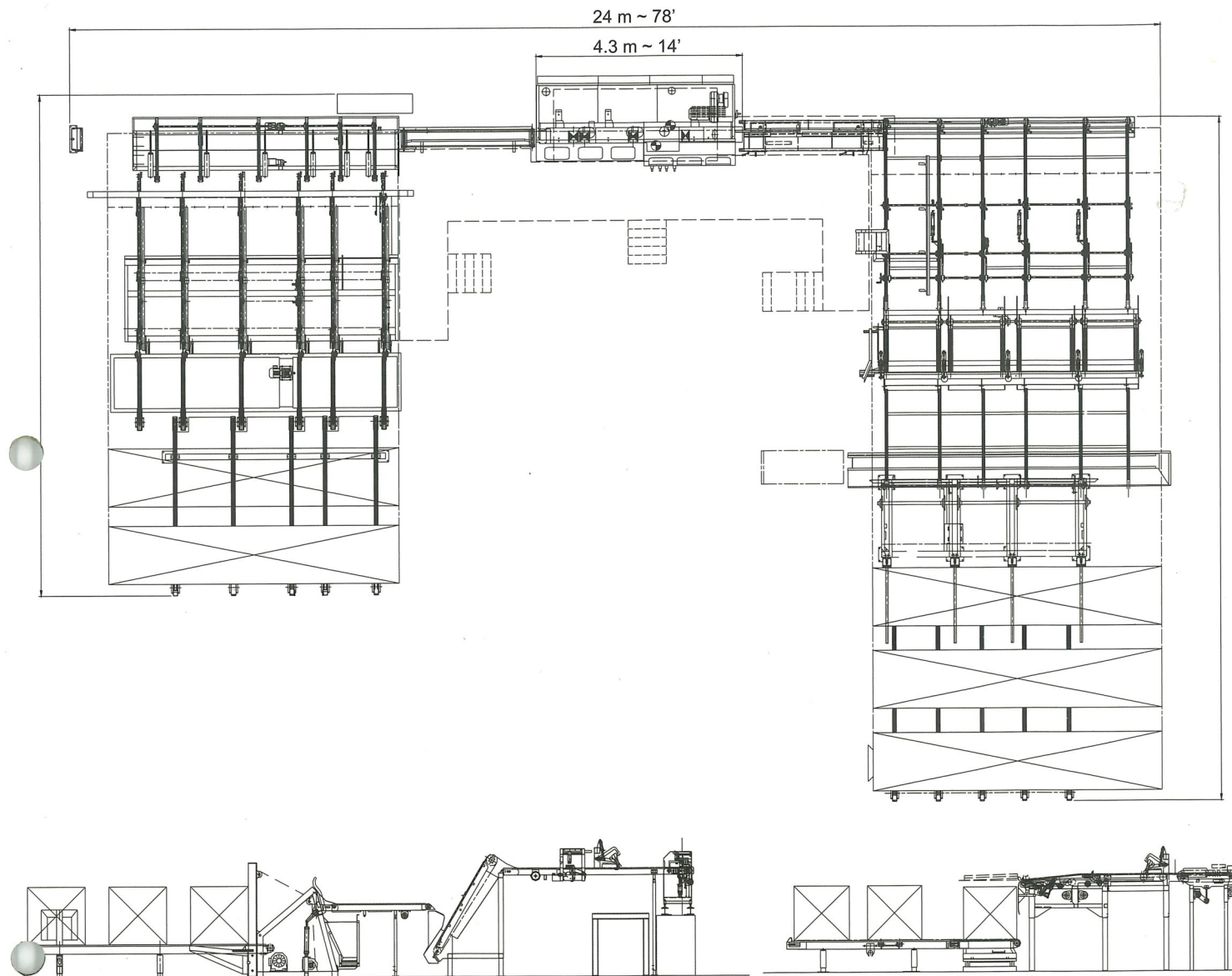


1. System TM offers a number of infeed systems to choose from. When a high capacity is required, a tilt hoist infeed is an option. For safe and careful handling of the timber, the tilt hoist can be equipped with hold back arms, ensuring gentle and well-controlled descent onto the cross chain conveyor, reducing noise and damage.



2. Hydraulic fast feed table and cross chain infeed. To feed a moulding machine the boards are coming from the tilt hoist. The sticks automatically fall down in the stick belt. As optional extra, the tilt hoist can be equipped with hold back arms ensuring gentle and well controlled decent onto the cross chains.

# Moulding machine automation

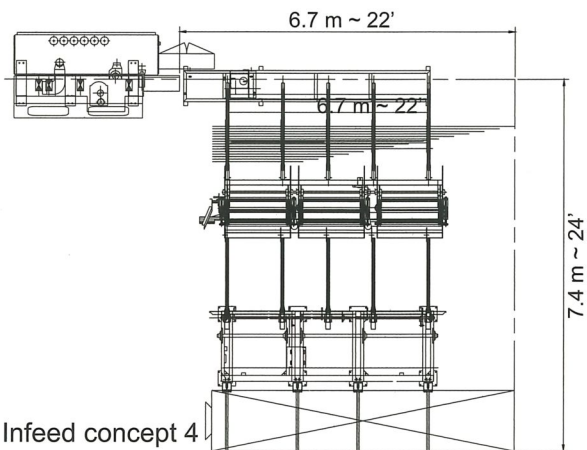
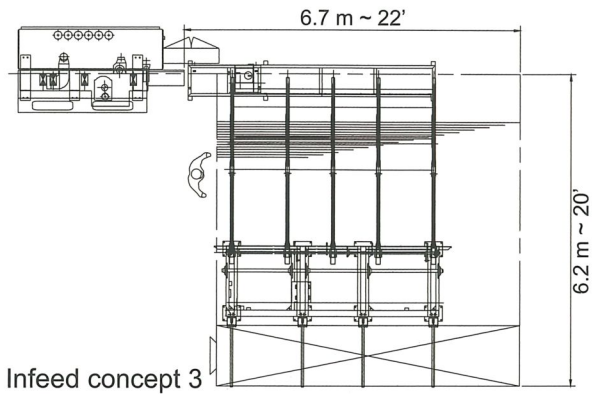
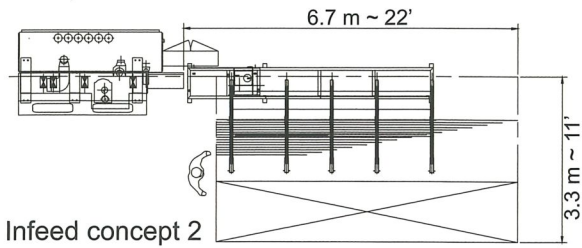


3. Automatic infeed to the moulding machine. Chain conveyors with a single piece feeding and powerful hydraulics ensure an efficient infeed to the moulder. As optional extra, the line can be equipped with manual rejecting.



4. Outfeed from moulding machines. The stud carriers and fair ending rollers align the timber for a perfect finished pack. Tallying and inkjet marking can be incorporated.

# Mechanical infeed solutions



Mechanical solutions provide continuous high speeds with a minimum of operator attendance. The answer can be a combination of the concepts.

Mechanical handling equipment gives you the following advantages:

- Labour savings
- Increased production
- Better utilisation of the moulders/planers capacity
- No manual handling or heavy lifting
- No repetitive strain injuries
- High reliability
- Minimum level of maintenance
- High level of flexibility
- A safe and user friendly design
- Fast and easy operation with low set-up time between production runs

## Infeed, concept 1:

- Manual loading
- Fast feed table with cross chains

## Infeed, concept 2:

- Manual loading
- Scissors lift
- Fast feed table with cross chains

## Infeed concept 3:

- Tilt hoist with hold back arms
- Cross chain conveyor
- Fast feed table

## Infeed concept 4:

- Tilt hoist with hold back arms
- Cross chain conveyor
- Valley separator
- Fast feed table with cross chains



5. Programmable turning device for automatic turning of workpieces for visual inspection or for stacking of machined timber in a particular way.



6. Layer stacker for efficient and reliable stacking of work pieces. The size of the pack is set by the operator. The finished pack can then be covered and strapped as required.

# Mechanical handling equipment for automated infeed and outfeed of moulding machines

## Technical data:

### Overall data:

Moulder/planner speed: 60 m/min (196 F.P.M.)  
120 m/min (390 F.P.M.)  
150 m/min (490 F.P.M.)

### Timber specifications (standard):

Board length: min. 1,500 mm max. 6,000 mm  
(min. 5' max. 20')  
Board length variation: max. 30%  
Board width: min. 50 mm max. 250 mm (305 mm)  
(min 2" max. 10" (12"))  
Board thickness: min. 12 mm max. 100 mm  
min. ½" max. 4"

### Packs:

Pack size to the line: w= 1,200 mm h=1,200 mm max. 4,000 kg  
(w= 4' h=4' max. 8,800 lbs)  
Pack size from the line: w= 1,200 mm h=1,200 mm max. 4,000 kg  
(w= 4' h=4' max. 8,800 lbs)

Lager or smaller packs can be catered for if needed.

### Capacity:

Feeding system: up to 35 boards/min.  
Stacking system: up to 6 layers/min.

## Optional: Infeed:

- Pack chains
- Pack rollers
- Scissors lift
- Reject gate
- Core and turning device
- Stick belt
- Stick collector
- Vacuum infeed system
- Metal detection
- Moisture metre

## Optional: Outfeed:

- Board turning device
- Pack chains
- Pack rollers
- Manual reject gate
- Brick stacking
- Vacuum stacking
- Tallying
- Inkjet marking
- Automatic bundling
- Semi automatic bundling
- Length sorting
- Automatic stability stick placing
- Static forklift
- Strapping equipment

\*Technical data subject to change without prior notice. The data can vary according to the specific design of the line. Please contact us should you need any further information.

# Automation for the timber industry

Founded in 1977, System TM began producing high quality woodworking machinery and advanced systems for the solid timber industry. System TM's strategy is to create, develop and manufacture first class system solutions for the optimization of timber and human resources within the production of value added timber products.



Today our product range includes:

- Optimizing cross cut saw
- Mechanical handling equipment
- Sorting and grading of solid timber
- Sticking and stacking



## System TM A/S

Skovdalsvej 35  
8300 Odder  
Denmark  
Phone: +45 86 54 33 55  
Fax: +45 86 54 32 19  
E-mail: [tm@systemtm.com](mailto:tm@systemtm.com)  
Internet: [www.systemtm.com](http://www.systemtm.com)

## System TM United Kingdom

26 Fiona Drive,  
Thurnby  
Leicester LE7 9RF  
United Kingdom  
Phone: +44 116 243 44 28  
Fax: +44 116 243 44 27  
E-mail: [tm@systemtm.co.uk](mailto:tm@systemtm.co.uk)

**Distributor:**