



30" BZB 760 Bandsaw

(British Standard Classification No. 12.121.51)



30" BZB 760 Bandsaw

The Bursgreen Bandsaw is designed on robust lines, engineered on sound principles and built to exacting standards of accuracy. Its construction, allied with its many unique design features has resulted in an exceptionally smooth, free running machine, capable of the best class of sawing. To the operator the convenience of access to the saw, the enclosed working parts entailing minimum attention and maintenance, and the all round ease and convenience of operating, make this an attractive machine to use. This enables a big volume of work to be handled with the minimum of time and effort.

CONSTRUCTION

MAIN FRAME

is of heavy cast iron, substantially ribbed to give maximum strength and stability for high speed work. The two access doors completely enclose the machine and blade (except for the portion being used) when the machine is in operation.

CANTING TABLE

is of unusually large proportions being 30" square and is surface ground to a high finish. It is arranged to cant up to 45° from the horizontal. A graduated scale and efficient hand lever lock are provided.

DRIVE

The motor for all three-phase supplies is 3 h.p. as standard and is totally enclosed in the base of the machine. The bottom wheel is directly keyed to the motor shaft thus obviating the need for a belt drive. This motor is controlled by a push button operated direct-on contactor starter complete with no volt and overload releases which is conveniently mounted near the operating position. An alternative arrangement can be supplied for single phase A.C. or D.C. operation. 5 h.p. motor can be fitted to the machine to special order.

FENCE

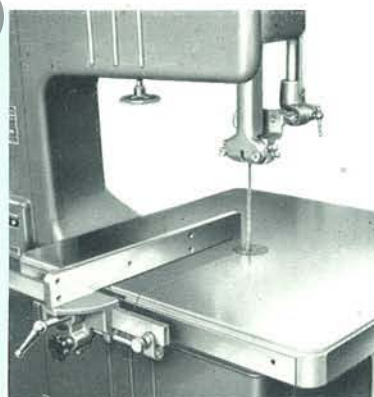
with rapid adjustment by hand and fine adjustment by small hand wheel, can be supplied at extra cost and may be fitted on either side of the saw blade.

SAW GUIDES

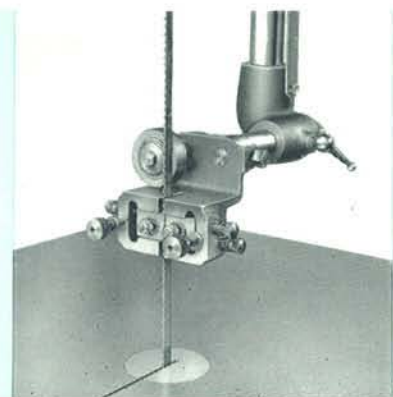
are of a completely new design and are fitted above and below the table. These are supplied with an adjustable ball-bearing runner to give support to the back of the blade and are also fitted with screw adjusting brass guide blocks to give maximum support to the sides of the blade. The upper saw guide is vertically adjustable according to the thickness of timber being worked. On the illustration right, the guard has been removed.



CANTING TABLE



FENCE



SAW GUIDES

Doors swing wide open for access to the saw.

Light cast aluminium pulleys with rubber tyres. Pulleys are ball bearing mounted for smooth easy running and require no lubrication.

Saw pulley cants on screw for quick and easy tracking of saw.

Quick screw saw tensioning.

Saw is completely enclosed except for saw in the cut.

Ball bearing guides above and below table, quickly adjusted for thickness of saw.

Rigid canting table.

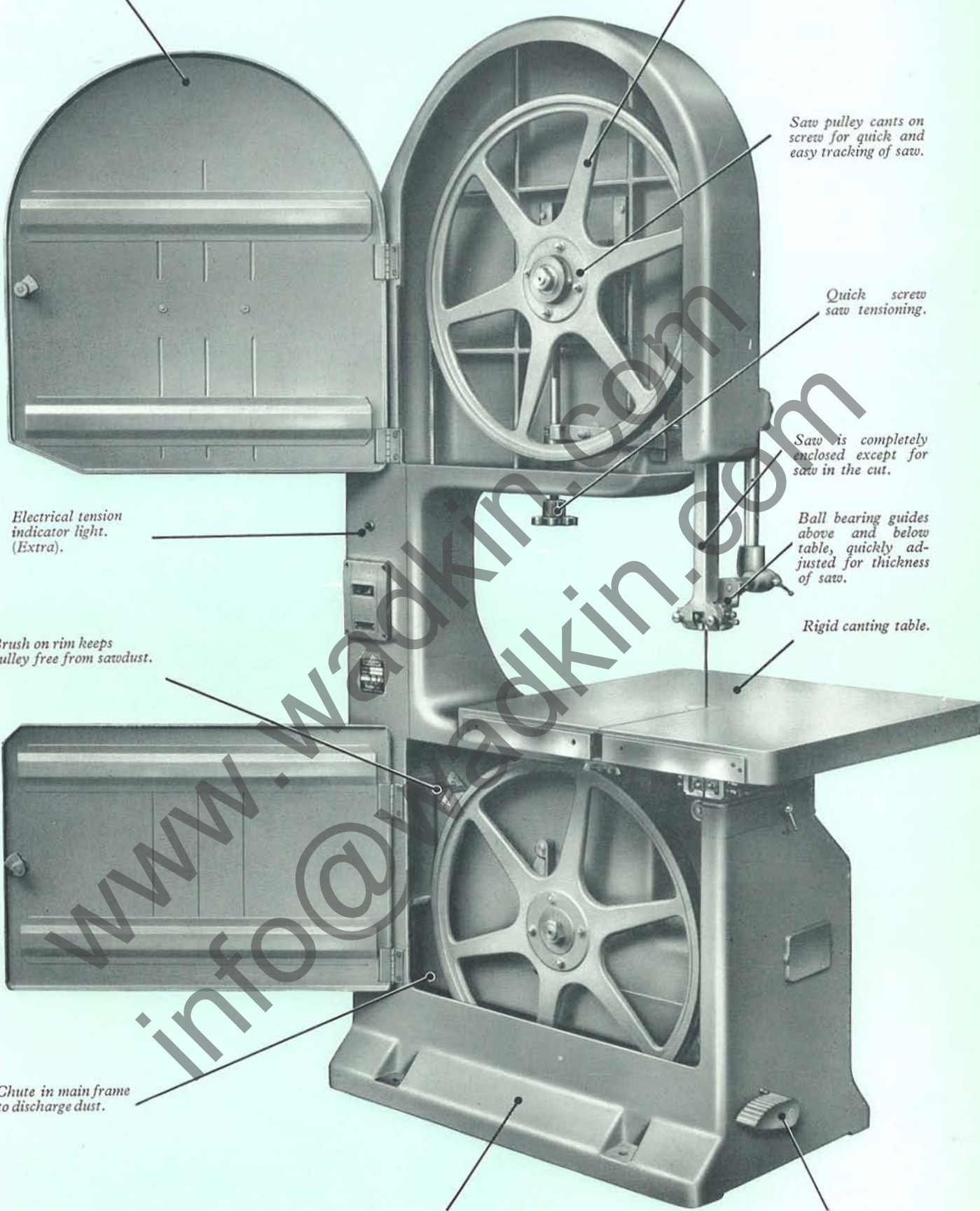
Electrical tension indicator light. (Extra).

Brush on rim keeps pulley free from sawdust.

Chute in main frame to discharge dust.

Rigid, well-ribbed main frame completely eliminates vibration.

Efficient brake.



30" BZB 760 Bandsaw

SAW PULLEYS

are made from a high grade aluminium alloy accurately machined and balanced for true running. They are detachable and interchangeable and are fitted with rubber tyres securely vulcanised to the rims. Both wheels revolve on sealed type ball bearings which require no lubrication by the user throughout their entire and very long life. The top wheel is adjustable by hand wheel and screw, whilst correct tension to the blade is ensured by the spring loaded slide which is also arranged to cant for tracking purposes. To special order a patent electrical light tension indicator can be fitted, to show correct blade tension. The bottom wheel is securely locked and keyed to the motor shaft on three-phase machines. An efficient brake is fitted which brings the wheels to rest with a minimum amount of time and effort. To keep the rubber tyre free from accumulating saw-dust, an adjustable brush is fitted to the bottom wheel.

DUST CHUTE

is provided in the base of the main frame and is designed to keep the machine free from an accumulation of saw-dust in all circumstances and is also most convenient for connecting to a dust extraction plant if desired.



Patented electrical saw-blade tension indicator as illustrated, which indicates the correct saw tension by means of a light, can be fitted as an extra.

SPECIFICATIONS

Diameter of Saw Pulleys	30"	760 mm.
Width of Saw Pulleys	1 3/4"	45 mm.
Maximum width of Saw	1 1/2"	38 mm.
Maximum length of Saw	17' 6"	5.3 m.
Minimum length of Saw	16' 10"	5.1 m.
Maximum depth under Saw Guide	14"	355 mm.
Distance from Saw to Body	28"	710 mm.
Size of Table	30" x 30"	760 x 760 mm.
Table Cants	45°	45°
Height of Table from Floor	38"	960 mm.
Overall height of Machine	94"	2.3 m.
Speed of Saw, per min.	5650 ft.	1721 m.
Horsepower of Motor as Standard	3	3
Speed of Motor (50 cycles) r.p.m.	750 (Syn.)	750 (Syn.)
Approximate Floor Space (3-phase)	53" x 32"	1346 x 810 mm.
Approximate Net Weight	1900 lb.	860 kg.
Approximate Gross Weight	2180 lb.	990 kg.
Shipping Dimensions	92 cu. ft.	2.8 m³.

DETAILS INCLUDED IN THE PRICE

Motor starter, and top and bottom ball bearing guides.

No operating spanners or ball bearing lubricant required.



SALES & SERVICE

Wadkin Ltd.

Green Lane Works, Leicester, LE5 4PF

Telephone : 0533 68151 (7 lines).
 Telegrams : } Woodworker, Leicester, Telex.
 Cables : }
 Telex : 34646 (Wadkin, Leicester).
 and at York House, Empire Way, Wembley, Middx.
 Telex : 262210 Telephone : 01-902 7714 (3 lines)

BURSGREEN machines are manufactured by
 BURSGREEN (DURHAM) LTD., Fence Houses,
 Houghton-le-Spring, Co. Durham.
 BURSGREEN (COLNE) LTD., Lodge Holme,
 Trawden, Nr. Colne, Lancs.