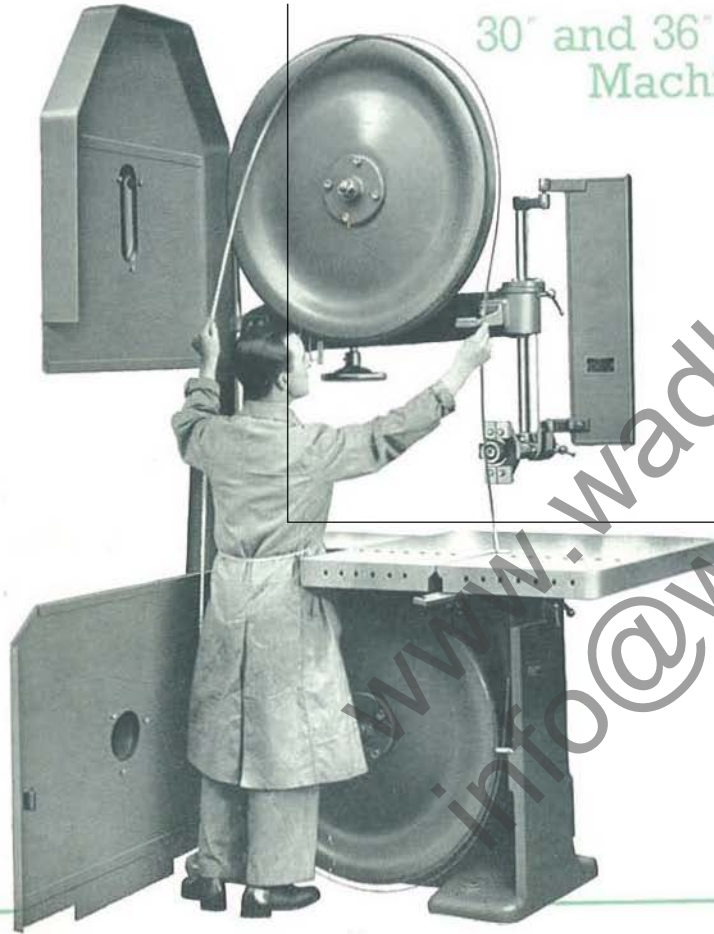


30" and 36" Band Sawing
Machines D.R.



30" and 36" Band Sawing Machines D.R.

These machines are characterised by steady vibrationless running at high speed, essential for clean accurate sawing in hard or soft wood.

Specification.

The Main Frame is a heavy casting in one piece.

The Spindles are mounted on heavy dustproof ball bearings.

The Saw Pulleys are of the steel disc type and are covered with best quality rubber. The pulleys are most accurately balanced.

The tensioning of the saw is automatically regulated by a spring, and a tracking device, actuated by handwheel and screw provided.

An adjustable brush is fitted, for keeping the face of the bottom saw pulley free from dust and chips.

The Table is a heavy casting accurately machined and mounted on a quadrant seated in machined ways. An auxiliary table is fitted at the back of the main table.

The Anti-friction Guide above the table is balanced, and is fitted with ball bearings, to prevent undue friction on the back of the saw.

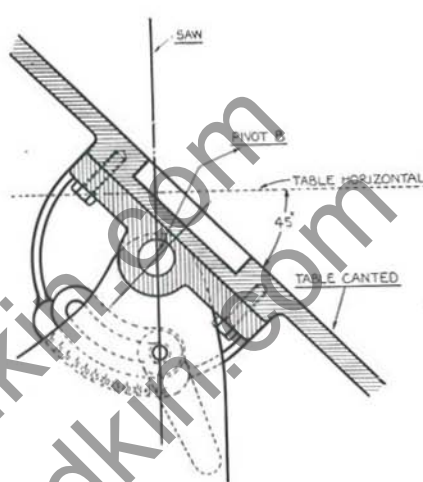
Guards. The machine is guarded in a thoroughly practical and efficient way, by hinged metal guards as illustrated opposite.

Dust Chute is embodied in the main frame and arranged to discharge the dust at the rear of the machine.

Self-contained Electric Drive. The motor is mounted directly on the bottom saw spindle close up to the wheel as shown in the illustration. It is fan cooled and protected from sawdust. Control is of the automatic contactor type operated by push buttons. A powerful external contracting brake is fitted.

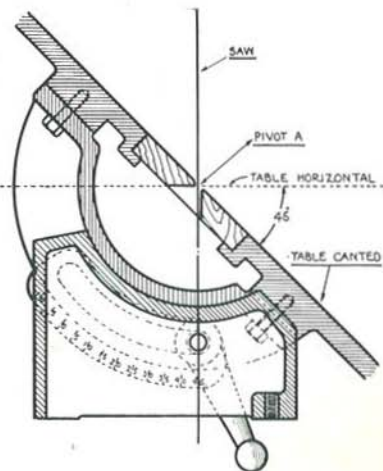
Belt Drive. When the machine is to be driven by belt, fast and loose pulleys also striking gear are provided.

Table Fences. Either plain or canting fences can be supplied, and all machines are prepared with tapped holes on the face and edge of the table to receive them.



Obsolete method of table mounting.

Wood block must be removed when table is canted, involving loss of time.



WADKIN Method of table mounting.

No adjustments are necessary to wood block at any angle of table.

Dimensions and Capacities.

Diameter of saw wheels	30"	36"
Max. width of saw	1½"	1¾"
Max. length of saw	17' 0"	20' 0"
Minimum length of saw	16' 0"	19' 0"
Depth of cut under saw guide	14"	18½"
Table cants 45° to right, 5° to left		
Horse power	3	5
Floor space (electric)	4' 8" × 2' 10"	5' 6" × 3' 2"
Net weight	16¼ cwts.	21¾ cwts.
Shipping dimensions	78 cu. ft.	114 cu. ft.