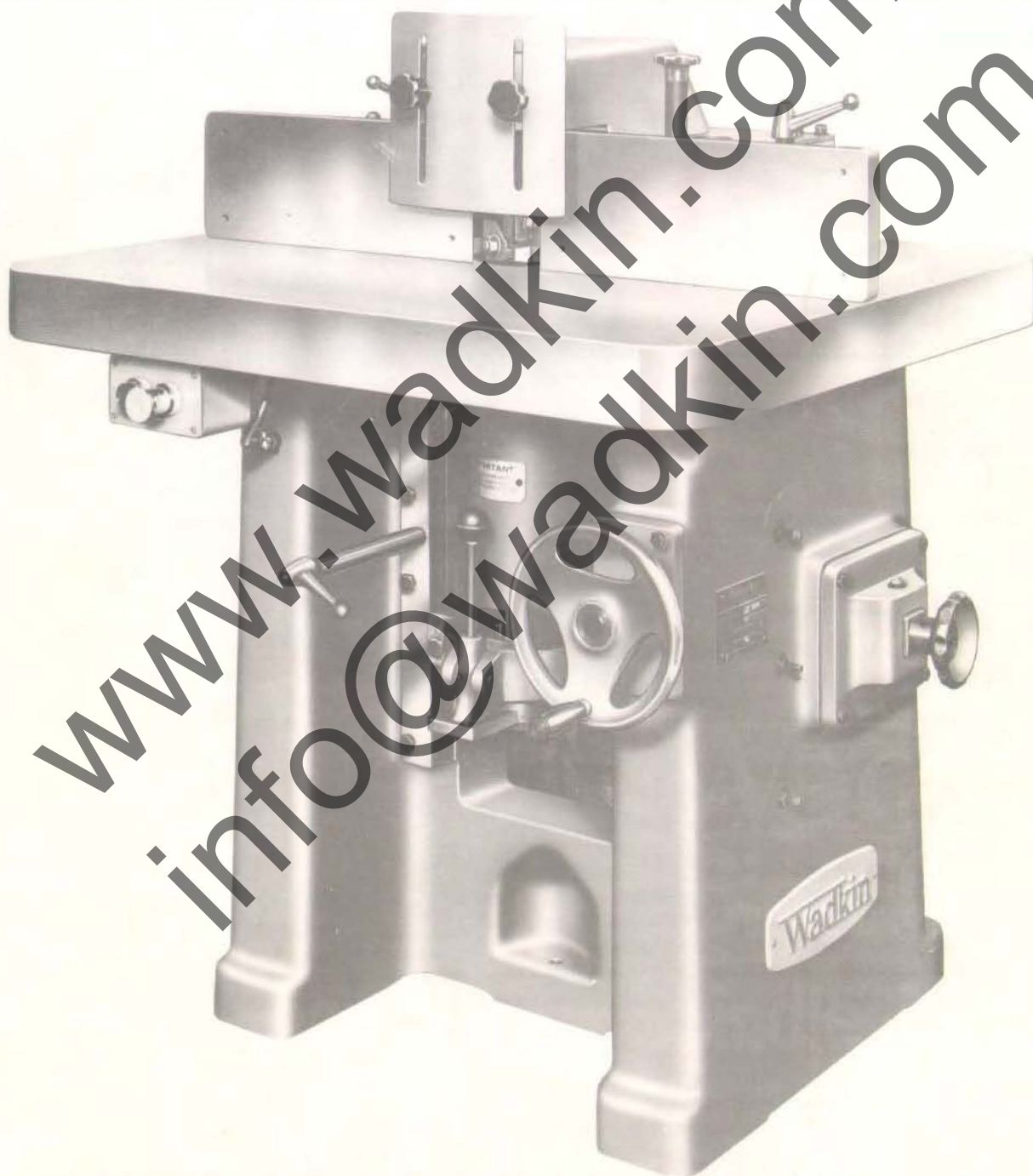


# Wadkin 6in EQ 150

## Heavy Duty Spindle Moulder

BRITISH STANDARDS CLASSIFICATION 12.311



**For many years Wadkin Spindle Moulders, with their perfect accuracy and finish combined with unfailing reliability, have been the final choice in every branch of woodworking in almost every country in the world.** The qualities that have made these machines so popular are incorporated with emphasis in the 6in EQ Spindle Moulder, and are readily evident in the massive and rigid main frame, the rigidity of the table and fences, the engineering precision of the spindle unit and the sophistication of the oil mist bearing lubrication system. The high-quality workmanship and the exacting inspections and tests applied to the manufacture of all Wadkin machines ensure that the advantages of the design features can be utilized in full by the operator.

Spindle runs on extra heavy precision type ball bearings, lubricated by oil mist system, ensuring long life.

Two or four spindle speeds between 3,000 and 9,000 rev/min.

Combined fence guard and dust hood.

Large and rigid precision ground table.

Spindle drive is by flat belt from motor built into the main frame.

Dust-proof electric controls.

Built-in isolating switch is available.

Robust well-proportioned main frame, with good foot room for the operator.

Underside of main frame machined to give a good foundation.

### Table and Fences

The table is a substantial close-grained casting, heavily ribbed on the underside to provide rigidity and eliminate distortion. Both the working face and the underside seating faces are accurately machined to provide a good datum. Three detachable rings installed in the table and surrounding the spindle enable the table aperture to be adjusted to accommodate various size cutters and cutterheads.

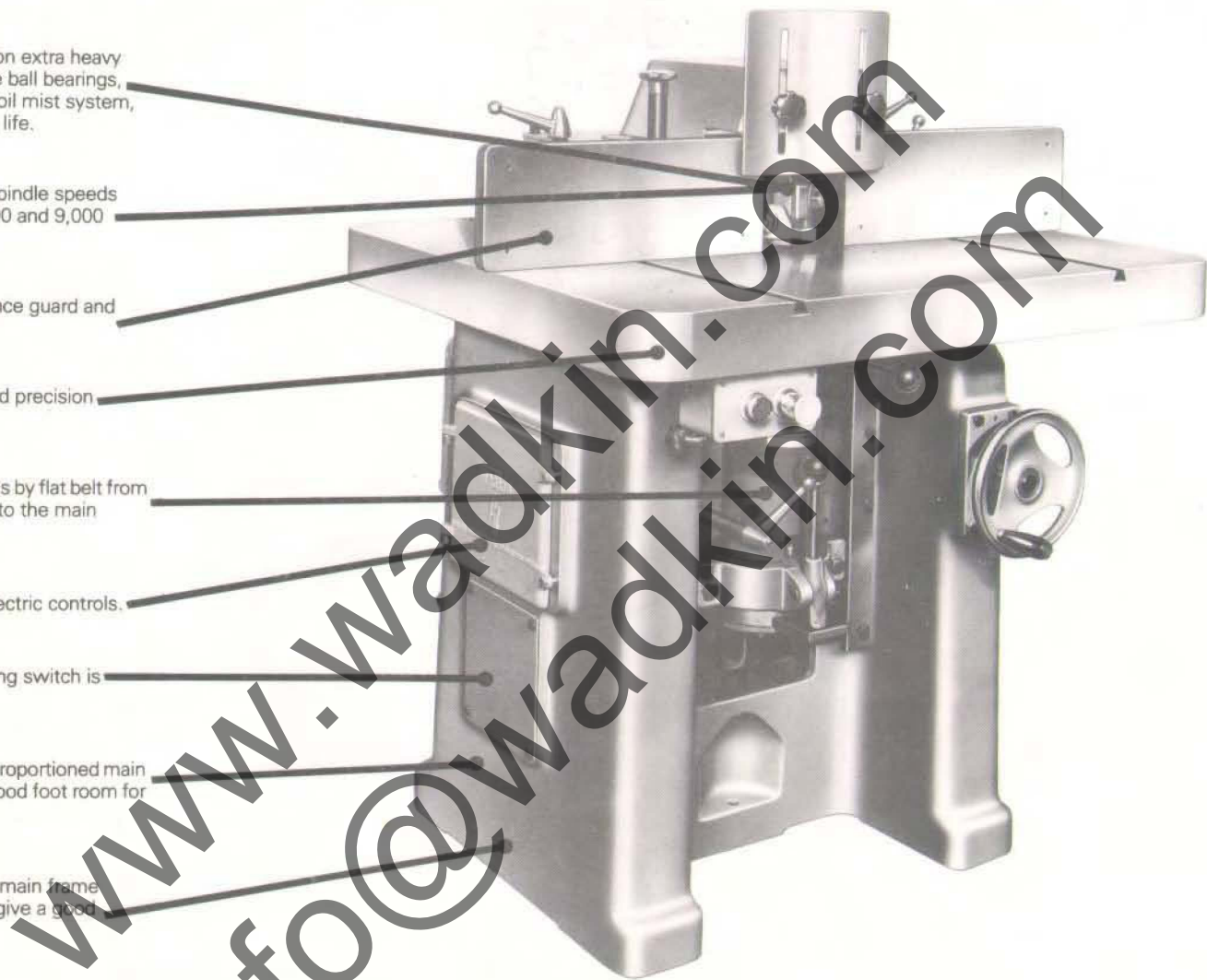
Two fences each 150mm (6in) deep and linked by a bridging piece are provided for the table. The fence assembly is locked down by dovetail units and when unlocked is free to be positioned on the table along the dovetail slots. A hand screw positioned at the back of each fence provides for independent fine adjustment and lock. At all times the precision-ground sliding fence plates are maintained truly parallel. Each fence plate is drilled to accept a wooden fence if required. A

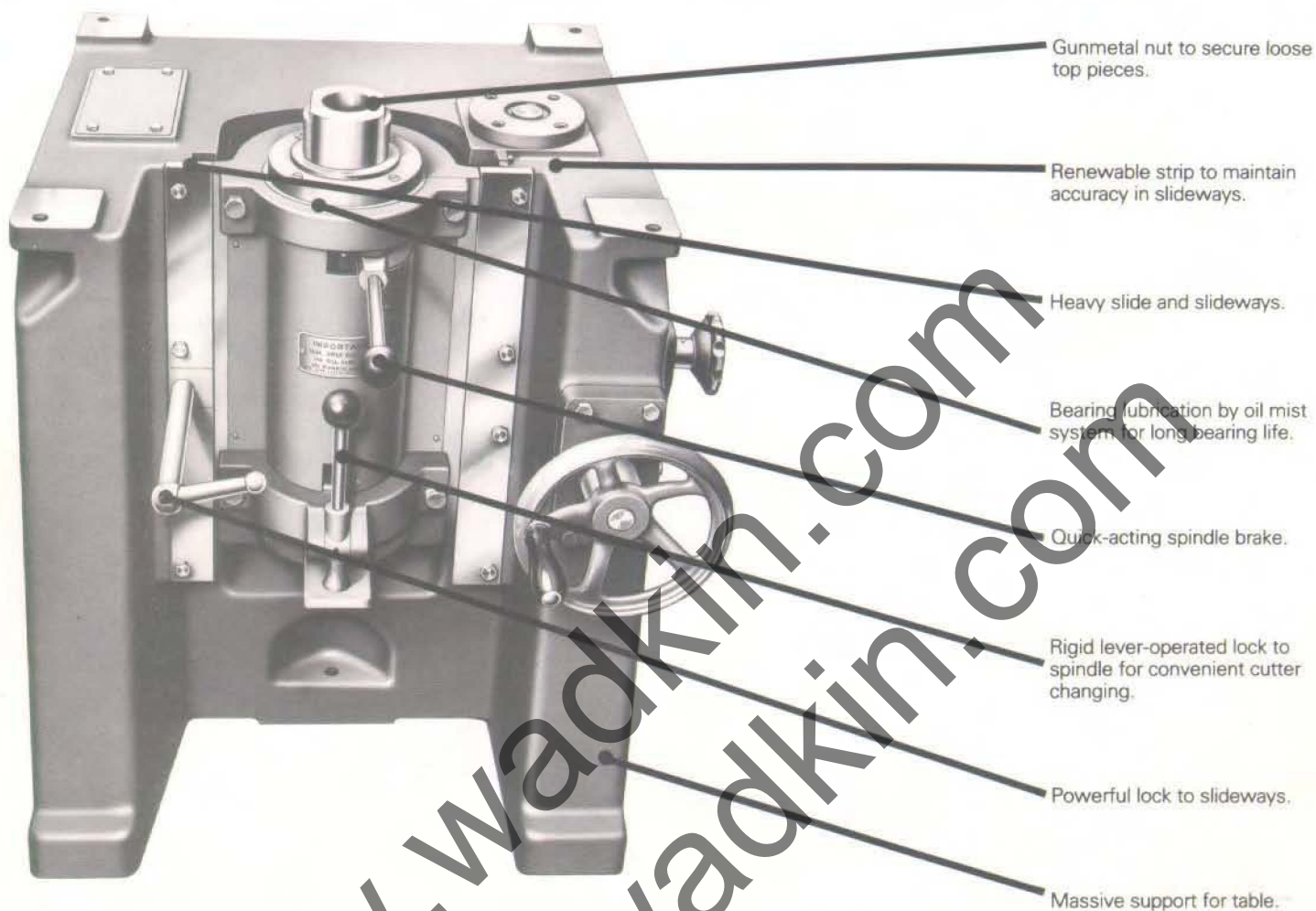
fully adjustable top pressure spring is secured to each fence and adjustable side pressure springs are located in the table groove.

An adjustable dust chute and visor guard provide full protection for the operator and satisfy the very latest safety requirements for machines.

### Control Gear

The use of automatic gear ensures that the control equipment remains dependable during the life of the machine. The equipment is push-button controlled, and the STOP button has a large mushroom-type head to facilitate quick recognition and operation in the event of an emergency. An additional safety feature is the incorporation of a lock-out function to prevent inadvertent use of the starter button.





Gunmetal nut to secure loose top pieces.

Renewable strip to maintain accuracy in slideways.

Heavy slide and slideways.

Bearing lubrication by oil mist system for long bearing life.

Quick-acting spindle brake.

Rigid lever-operated lock to spindle for convenient cutter changing.

Powerful lock to slideways.

Massive support for table.

## Spindle Unit

The heart of the spindle moulder is the spindle unit itself. The spindles installed in Wadkin spindle moulders are precision ground in special high carbon steel and supported in heavy duty ball bearings. The oil mist bearing lubrication system ensures good bearing life by providing the correct quantity of lubricant to the bearings at all times, thus preventing excessive lubrication and transference of harmful grit or foreign matter to the bearing surfaces.

The spindle chuck is bored  $1\frac{3}{4}$ in diameter and externally threaded to accept top pieces  $1\frac{1}{2}$ in diameter. The top pieces are tightened down on to the special chuck and secured by a gunmetal nut. The spindle unit is mounted in heavy slides and slideways and has a rise and fall range of movement of 150mm (6in) operated by a handwheel-actuated worm gear. A powerful hand lever provides a facility for locking the spindle unit on the slides, and a quick-acting spindle brake is incorporated.

## Drive

A parallel pulley is mounted on the spindle between the two bearings, and the spindle unit is belt-driven by a motor installed below and to the rear of the spindle. The motor is mounted on a vertically hinged pivoting bracket to facilitate quick belt changes for alternative speed selection. Belt

tensioning is accomplished by use of a handwheel-operated, spring-loaded screw mechanism. The standard machine is supplied with two speeds. Alternative ratios are available and a four-speed arrangement utilizing a two-speed motor is offered as optional equipment (see specification on page 4).

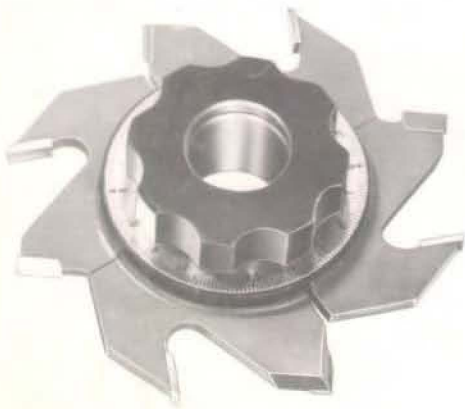
## Main Frame

A substantial, rigid frame and foundation are essential to the satisfactory functioning of any machine. The frame of the Wadkin 6in EQ 150 Spindle Moulder weighs approximately 270kg (600lb), and is of exceptionally robust cast iron construction incorporating heavy ribbing and bracing to achieve a high degree of rigidity. The base area of the machine is designed to combine good seating for the equipment with maximum foot room for the operator.

In keeping with all Wadkin component castings, the main frame of this machine is fully seasoned prior to the commencement of any machining operations, thus ensuring that the high precision standards achieved by use of the world's finest machine tools in the hands of highly skilled engineering craftsmen are maintained throughout the working life of the machine.

# Cutter Equipment

A comprehensive range of cutter equipment is available, including the cutters shown below.



**ADJUSTABLE  
GROOVING SAWS**

Type 129



**VARIABLE  
ANGLE CUTTERHEADS**

Type 454.0 WS



**CUTTERBLOCKS**

Type QF

## SPECIFICATION

	50 Hz supply	60 Hz supply
Standard spindle speeds	4500 and 6000 rev/min	5400 and 7200 rev/min
Alternative spindle speeds	6000 and 9000 rev/min 4500 and 9000 rev/min 5000 and 7500 rev/min 3000 and 4500 rev/min 3000 and 6000 rev/min	6000 and 8000 rev/min — — 3600 and 5400 rev/min 3600 and 7200 rev/min
Alternative spindle speeds for 4 speed machines	2250, 3000, 4500, and 6000 rev/min 3000, 4500, 6000, and 9000 rev/min	2700, 3600, 5400, and 7200 rev/min 3000, 4500, 6000, and 9000 rev/min
Maximum working depth	150mm	6in
Table size	915 x 810mm	36 x 32in
Height of table above floor	840mm	33in
Floor space	915 x 1015mm	36 x 40in
Bores of circular table plates	90, 115, 180, and 240mm	3½, 4½, 7, and 9½in
Size of fence plates	150mm deep, 450mm long	6in deep, 18in long
Power of motor	3.7 kW	5 hp
Net weight	610 kg	1350 lb
Gross weight	740 kg	1652 lb
Shipping dimensions	1.38 m <sup>3</sup>	49 ft <sup>3</sup>

### Details included with the machine:

3.7kW (5hp) motor complete with suitable control gear  
1½in diameter loose top pieces  
Grooved cutter collars. Spacing collars  
Adjustable fences  
Top and side pressure springs  
Dust chute and visor guard  
Set of spanners  
Lubricating pump and can of ball bearing lubricant  
Instruction book

### Optional Extras:

Corner locking attachment  
Stair housing attachment  
Tenoning attachment  
Dovetailing attachment  
Ring fences, cage guard and Shaw guard  
Isolating switch  
Reversing facility  
Comprehensive range of cutter equipment



**SALES AND SERVICE**  
**Wadkin Ltd.**

**Green Lane Works, Leicester, LE5 4PF**

Telephone: 0533 769111

Telegrams: }  
Cables: } Woodworker, Leicester, Telex.

Telex: 34646 (Wadkin, G)

and at  
York House, Empire Way, Wembley,  
Middlesex, HA9 0PA

Telephone: 01-902 7714 (3 lines)  
Telex: 262210

As our policy is constantly to improve the design of Wadkin woodworking machinery the details given in this leaflet are not to be regarded as binding.

Printed in England WAD-11-78-P