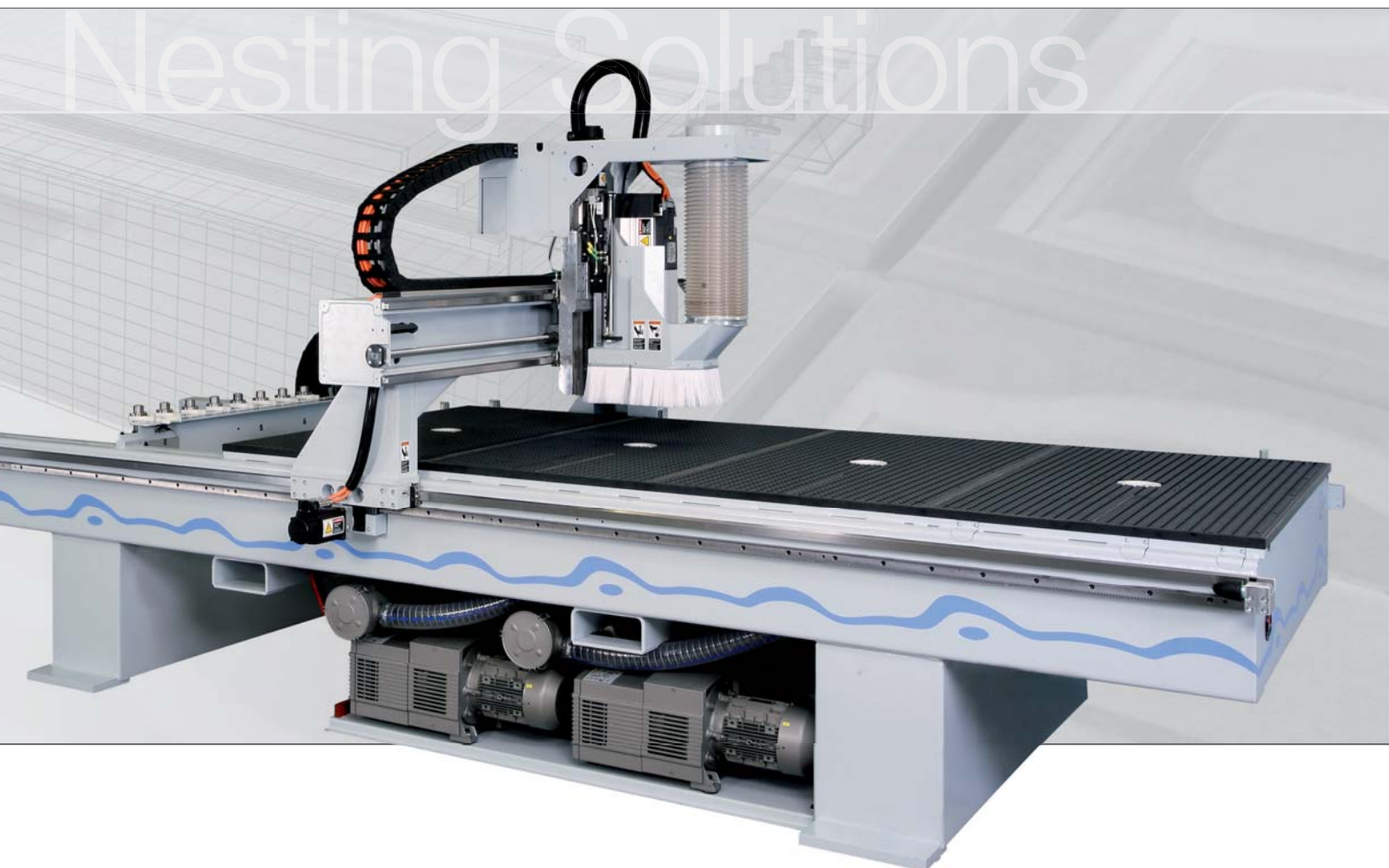


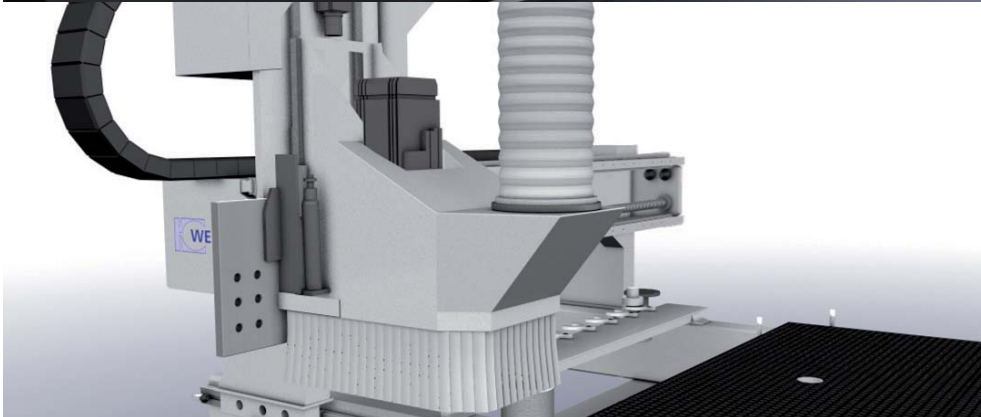
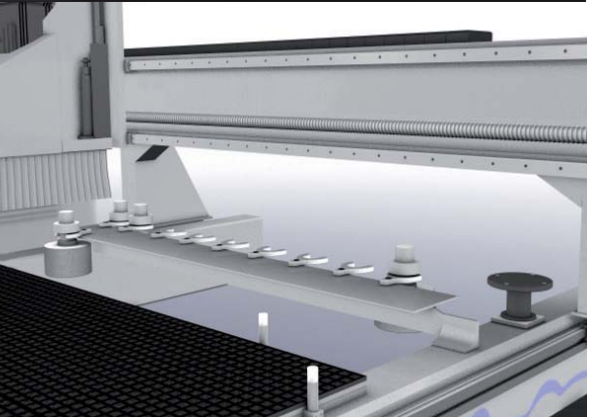
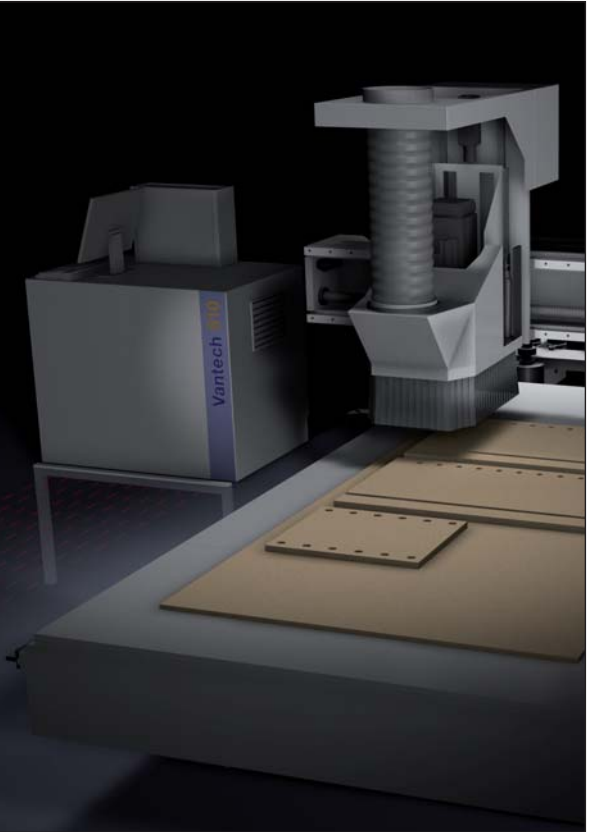
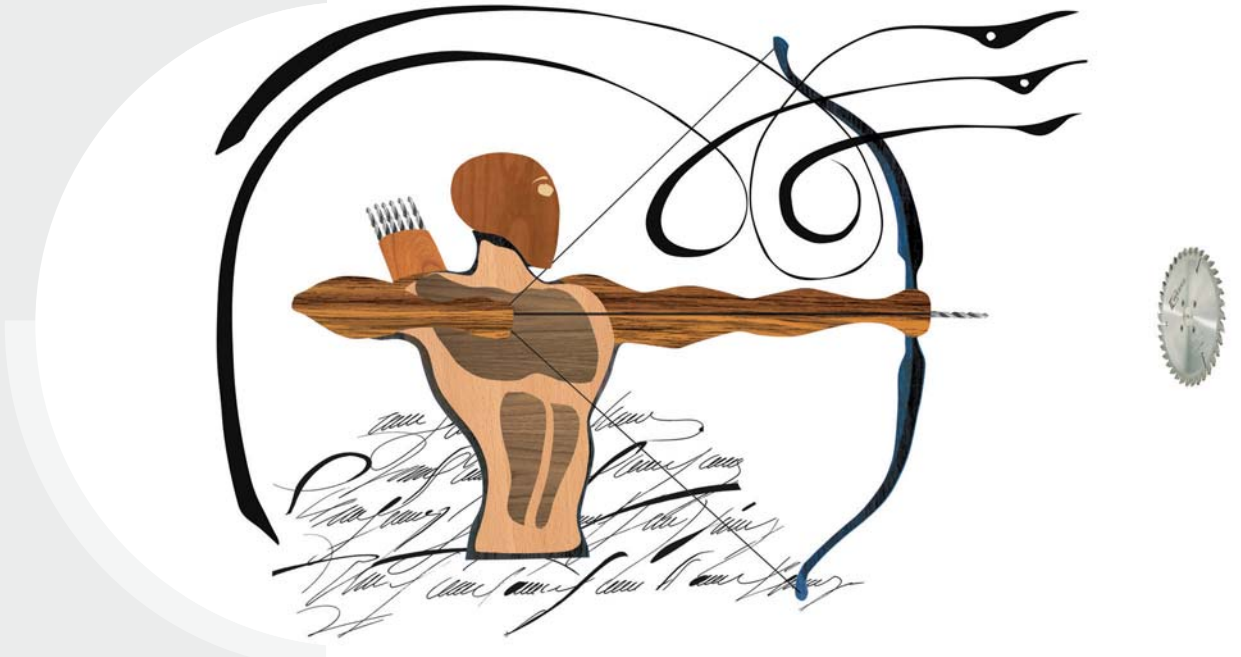
Nested Based Router Vantech Series

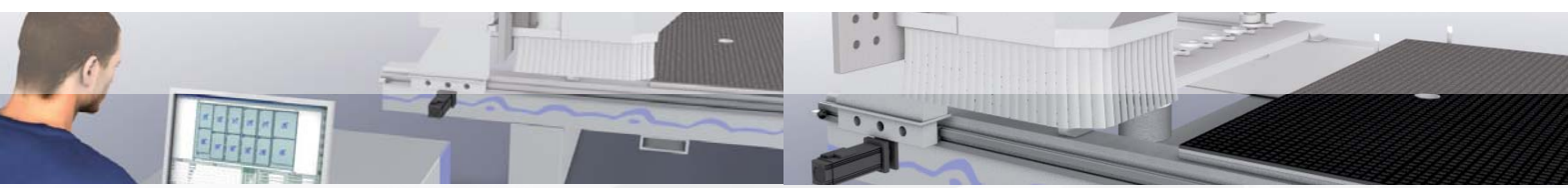


480 / 510 / 512

Vantech Series

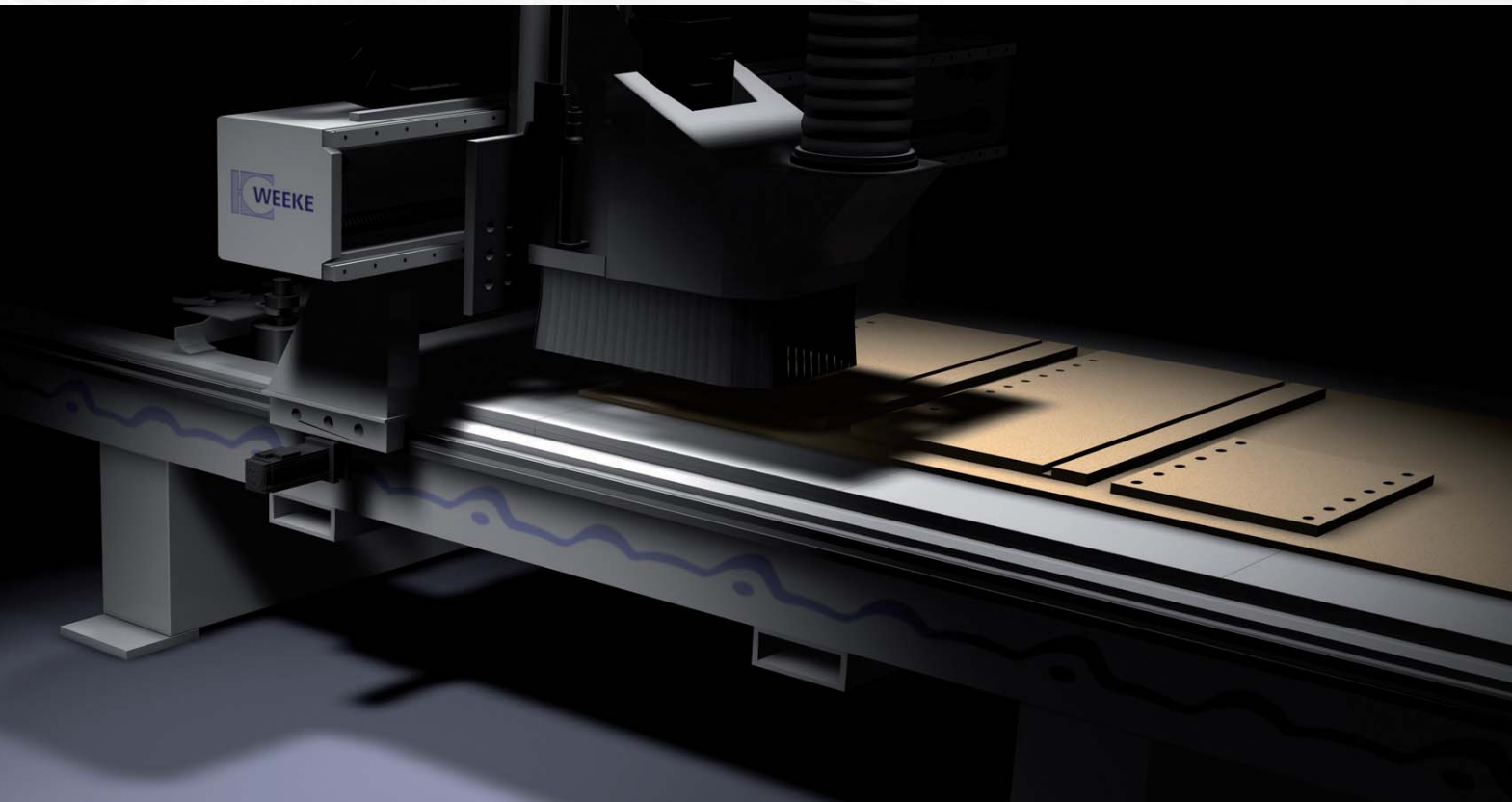
CNC-TECHNOLOGY



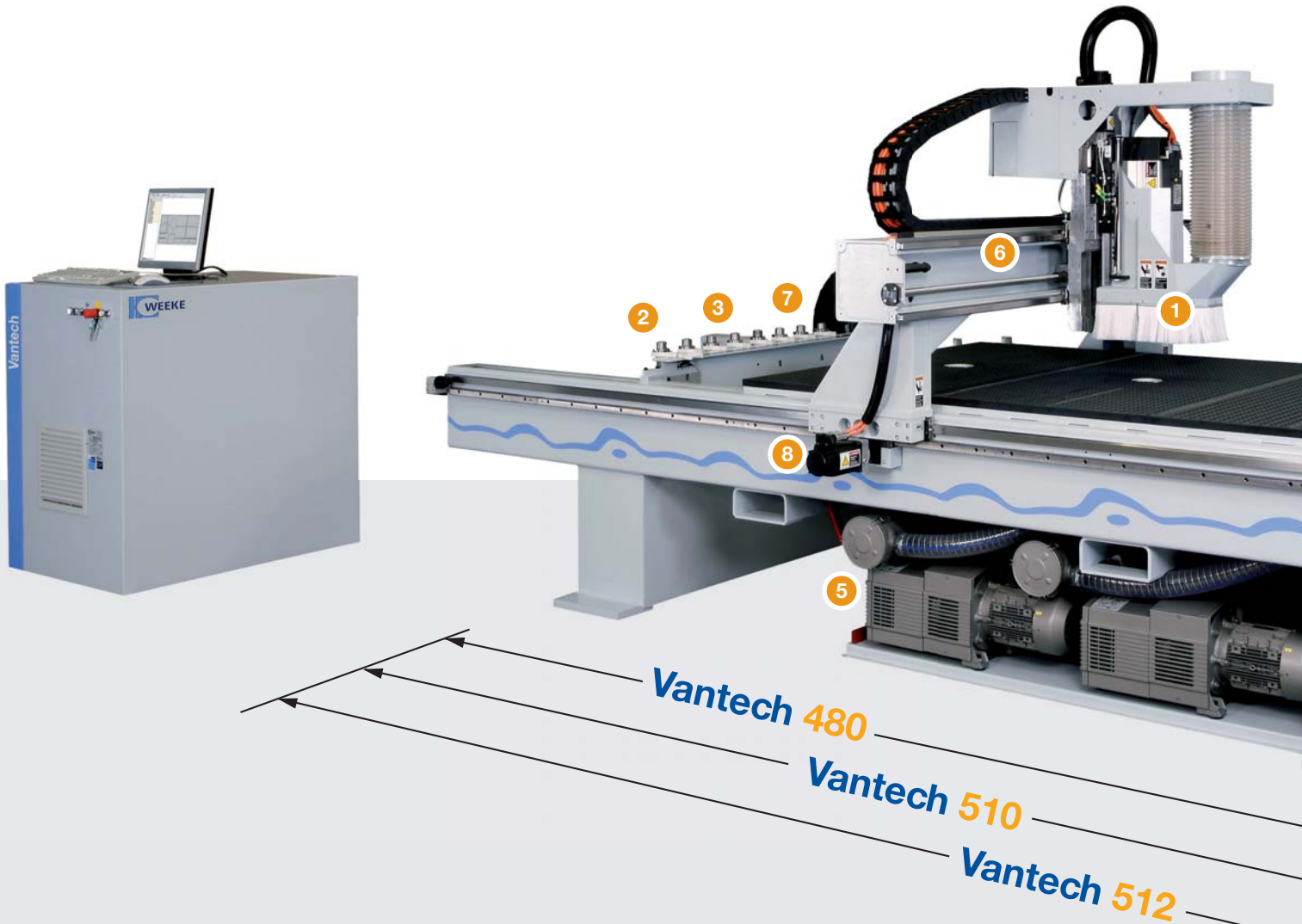


**»The confidence you place in us
is an obligation we take seriously«**

Our machines are built to last. This is
guaranteed by the overall quality of WEEKE –
delivering excellence for a machine's lifetime.



Vantech Series – Standard Features



■ 12 HP (9 kW) HSK-routing spindle



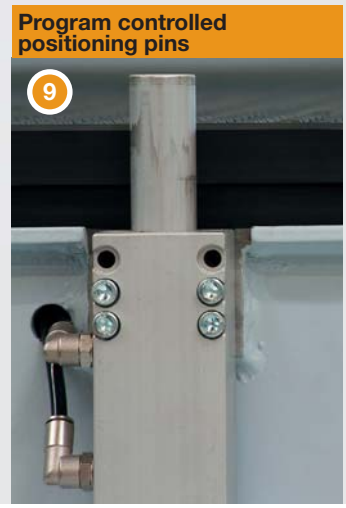
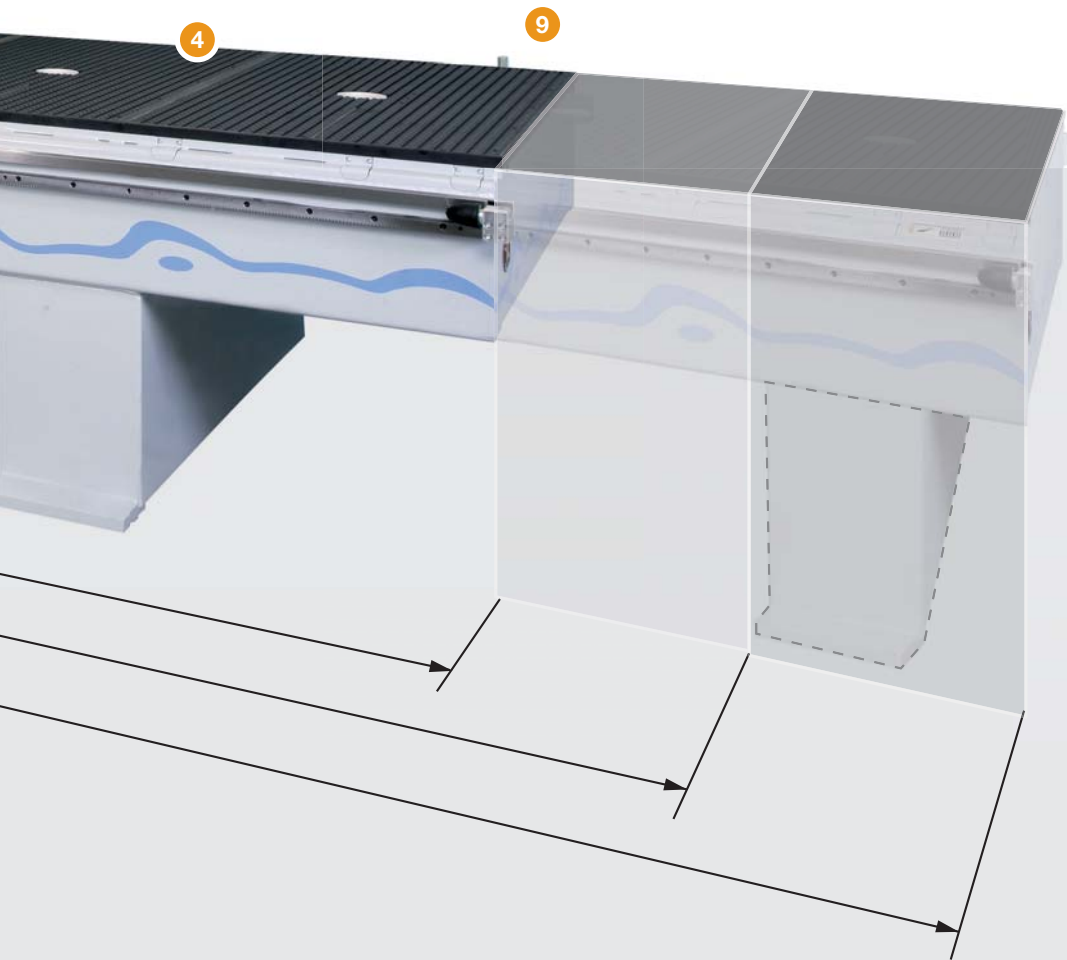
■ Secure and fast feeding of the tool changer magazine



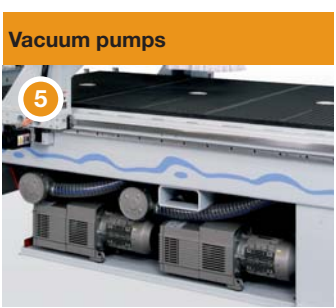
■ Secure and quick fitting into the routing spindle



■ Very flexible table system



Program controlled positioning pins



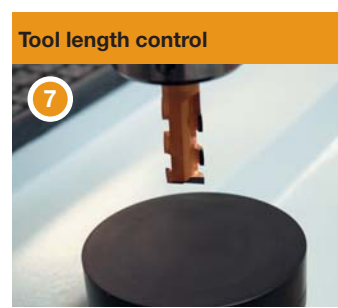
Vacuum pumps

- 4 vacuum pumps with a total vacuum capacity of 360/432 m³/h, 50/60 Hz (4 x 90/108 m³/h, 50/60 Hz)



Linear guiding system

- Sealed »long-life« linear guiding system



Tool length control

- After tool change a control of the length is carried out and checked with the tool data file



Dual drive gantry

- Guarantee for highest quality

Equipment as described in this brochure is subject to technical changes and further developments. Technical data refer to standard equipment and are not binding for the order.

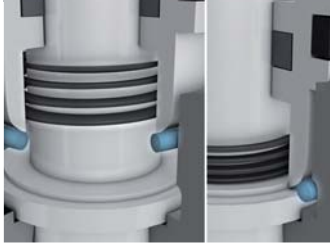
Optional extras

Vertical drilling block



- 7 vertical drilling spindles
- Not in combination with the additional tool changing system

Automatic spindle locking system



- Patented system to ensure correct drilling depth

Voltage transformer



- Transformer for 210/220/230 voltage available
- Prewired for 460/480 voltage

Air-conditioning



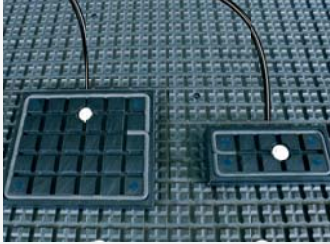
- Air-conditioned cabinet

Expandable tool changing system



- 7 additional tool changing places
- Not in combination with the vertical drilling aggregate

»Quik Pods«



- »Quik Pod« 168 x 78 x 41 mm
- »Quik Pod« 198 x 168 x 41 mm

Extention stop system



- 4 pneumatically lowerable Aluminium stop cylinders

High volume vacuum pump



- More volume – more power

Notes:



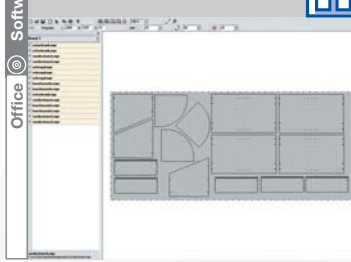
Included software bundle

Software package / Control panel



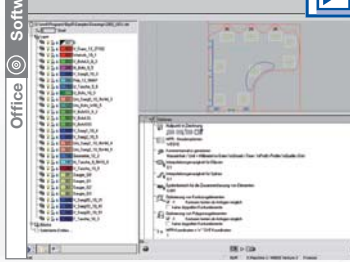
- woodWOP
- MCC
- 3D CNC-Simulator
- woodWOP DXF Basic
- MDE Basic

woodNest Basic



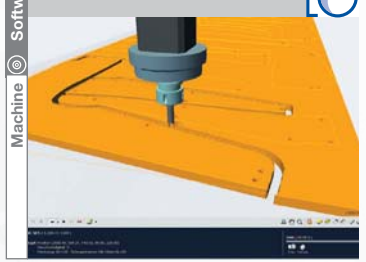
- Entry nesting software - simple & easy
- woodWOP-programs (individual parts) can be directly nested manually (drag and drop)

woodWOP DXF Basic

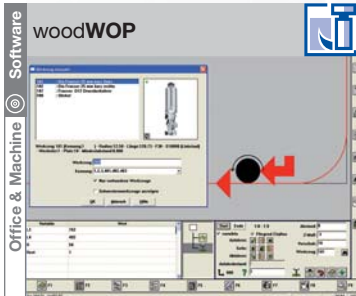


- Interface for CAD-Data Import
- Basis to generate woodWOP programs

3D CNC-Simulator



- Simulates the processing in the order it is stored in the NC-program
- Allows time calculation
- Collision check of the vacuum cups



- Modern software based on Windows®
- More than 15.000 installations worldwide

© Software	Machine
© Software	Office

for the machine
for the office PC

woodWOP – The HOMAG Group programming system



woodWOP



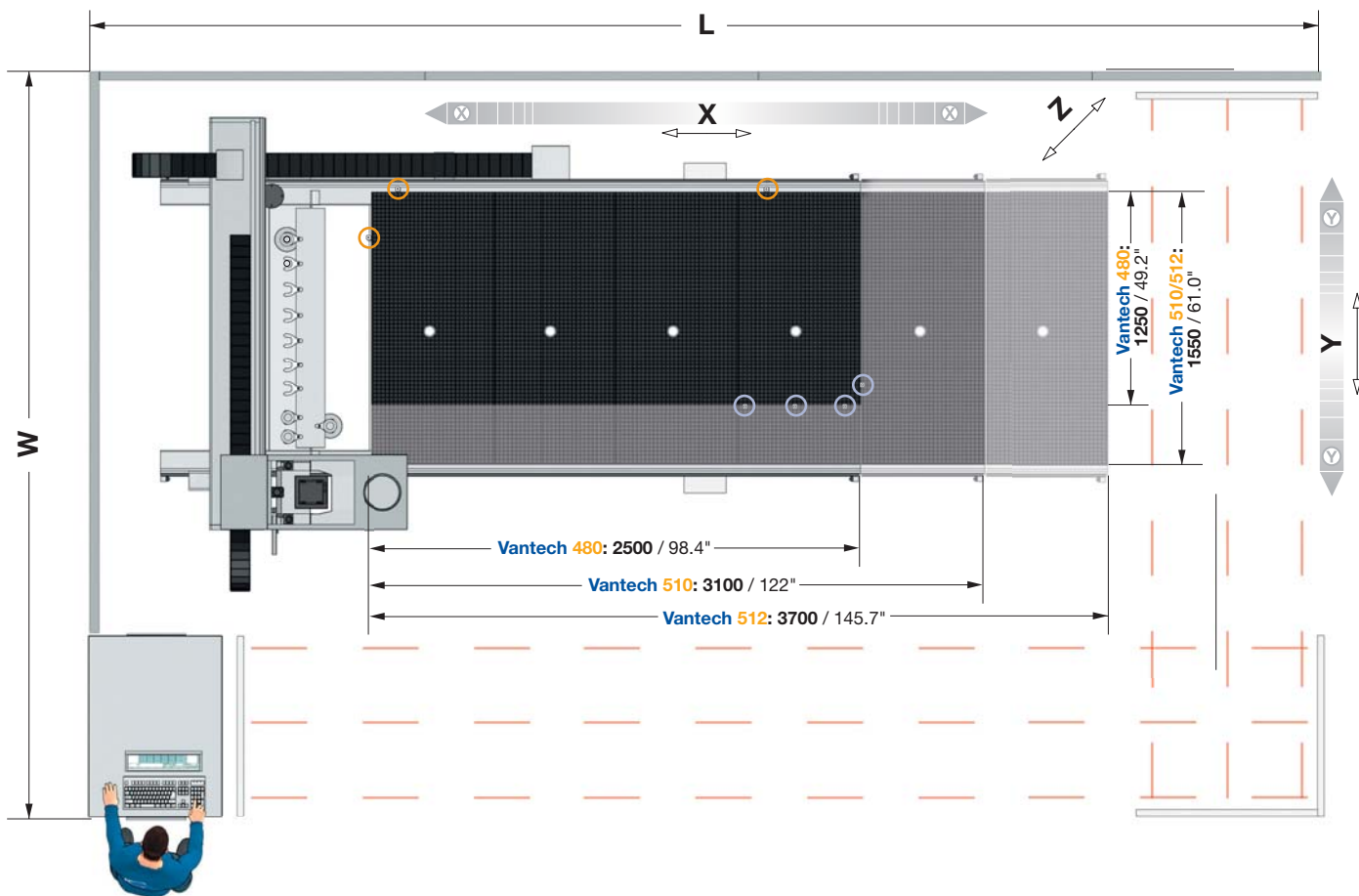
Tool Selection

woodWOP is a CNC programming system that has been specially designed for the machines of the HOMAG Group. woodWOP is a Workshop-Oriented Programming system (WOP). Rather than programming the machine directly, the workpiece and its machining steps are described. This makes programming considerably easier and programs remain versatile. woodWOP offers high levels of convenience by using familiar Windows applications such as cutting, copying and pasting machining steps, and zooming. It is possible to vary quickly and easily generate the contour of the workpiece using numerous drawing functions. Furthermore, each machining step has its own macros. This means that routing, drilling or sawing, for example, can be programmed quickly and easily by entering the machining parameters. Variant programs can be easily generated by using variables in woodWOP.

Highlights

- Graphic tool selection
- Automatic suction cup recommendation
- Automatic generation of machining steps for edge gluing
- File Preview and MPR Browser (optional)
- Context-sensitive online help
- Interfaces: DXF, MPR, PRJ (optional)
- Extensive program library with sample programs for contours, cabinet furniture, countertops and doors
- On the Internet:
www.woodWOP-Forum.de
→ Help, information and discussion by woodWOP users for woodWOP users
- Global sales of more than 15,000 machines with woodWOP

Technical data



mm / inch

Included safety device

- ⊙ 3 standard stops
- ⊕ 4 additional stops (optionally)

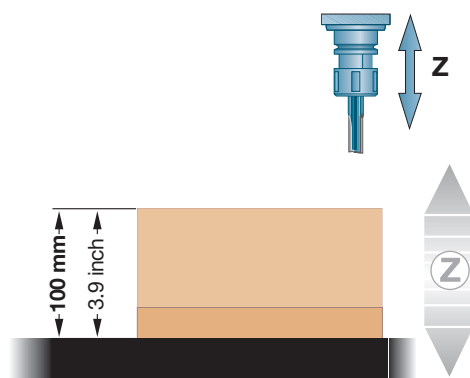
		X	Y	Z
Working field	Vantech 480	2500 / 98.4	1250 / 49.2	100 / 3.9
	Vantech 510	3100 / 122.0	1550 / 61.0	100 / 3.9
	Vantech 512	3700 / 145.7	1550 / 61.0	100 / 3.9
Travel range	Vantech 480	3338 / 131.4	1652 / 65.0	245 / 9.6
	Vantech 510	3938 / 155.0	1952 / 76.8	245 / 9.6
	Vantech 512	4538 / 178.7	1952 / 76.8	245 / 9.6

mm / inch

		L	W
Floor space	Vantech 480	5600 / 220.5	3570 / 140.6
	Vantech 510	6100 / 240.1	3820 / 150.4
	Vantech 512	6850 / 269.7	3820 / 150.4

mm / inch

Vector speed X/Y - Z-axis	m/min	96 - 25
Compressed air connection	inch	R ½
Compressed air required	bar	7
Dust extraction port	mm	Ø 200
Dust extraction volume	m³/h	min. 3170
Electrical power – total connection load	kW	27,5



Contact

stiles

Your success is our business.

www.stilesmachinery.com
616.698.7500

stiles
SHOP
SOLUTIONS

www.stileshop.com
1.800.424.3232