

VarioSplit 900

VarioSplit 900

The flexible band re-saw for efficient, economical ripping

Possible combinations

Overview table VarioSplit 900: Standards und Options

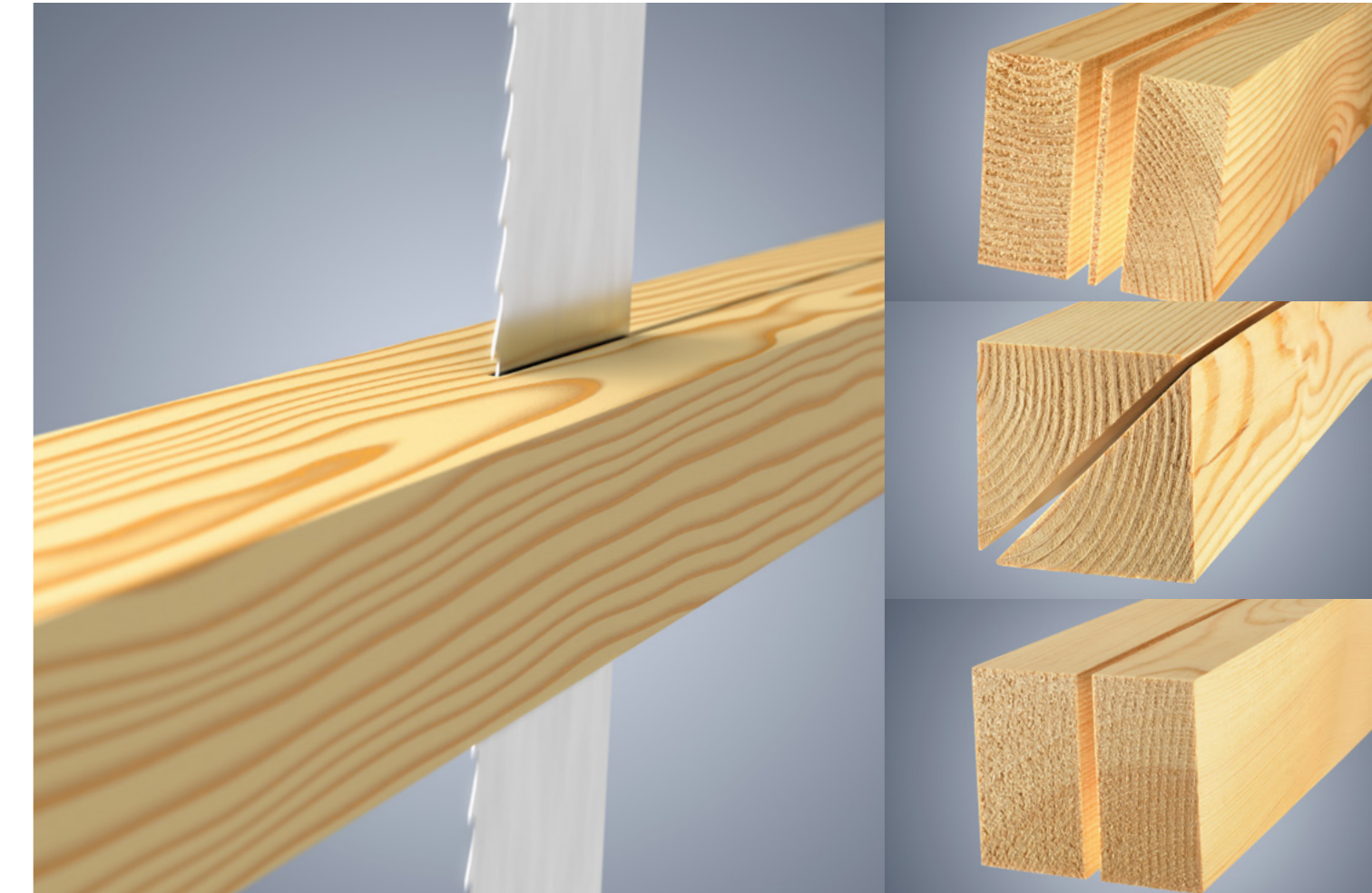
The expert at Weinig for the RaimannLine will be happy to provide you with more detailed information.

Max. cutting height	370 mm
Max. width of work piece	535 mm
Cutting width at right hand side of the saw blade	300 mm
Cutting width at left hand side of the saw blade	235 mm
Feed speed (frequency controlled)	5 - 40 m/Min
Feed motor	1,1 kW
Band saw wheel diameter	915 mm
Band saw wheel width	90 mm
Saw blade speed	35 m/Sec
Motor	15 kW
Weight	2100 kg
Dimensions: length x width x height	1,20 x 1,85 x 2,55 m
Working height	975 mm
Noise emission at the machine in idle motion / in operation *	LpA = 89 / 98 dB (A)
Sound volume in idle motion / in operation *	LwA = 98 / 105 dB (A)
Motorized positioning of width fence	●
Automatic cleaning and lubrication of saw blade and band saw wheels	●
Touchscreen-controls	○
Saw blade speed frequency controlled (30 - 40 m/Sec)	○
Motorized tensioning of saw blade	○
Spray mist device	○
Automatic width measuring	○

* according to EN 1870-4 and ISO 7960 annex Q; uncertainty constant value K = 4 dB (A)
Subject to technical modification. Statements and pictures in this brochure may also include optional extras which are not included in the standard serial equipment. Some of the photos show the machine with the protective covers removed.

● Standard ○ Option

0419/SN/1000/EN



Product Unit Cutting / Gluing

RAIMANN HOLZOPTIMIERUNG
GMBH & CO.KG
Weisserlenstraße 11
79108 Freiburg
Germany

Phone +49 761 13033-0
Fax +49 761 13033-17
E-Mail info-cutting@weinig.com
Internet www.weinig.com



WEINIG VarioSplit 900: Easy handling – top reliability

The WEINIG VarioSplit 900 RaimannLine is the flexible band re-saw for all wood processing companies having high expectations towards the cutting quality. Excellent saw blade guidance due to proven WEINIG-Technology provides optimum cutting results. Extremely easy-to-operate fast precision ripping. The intelligent machine concept reduces setup times to a minimum and facilitates easy machine operation. With features such as exchangeable feed rollers and a tiltable width fence, the VarioSplit 900 can quickly be adjusted for a variety of ripping applications such as bevel cuts. As a compact standard machine with advanced equipment options, the VarioSplit 900 is the flexible and powerful for companies large and small.

Highlights

- Solid and sturdy design
- Bevel cut device
- Saw blade guides simple to adjust and simple to replace
- Feed motor frequency controlled
- Easy to set up
- Easy to operate
- Maximum operator safety



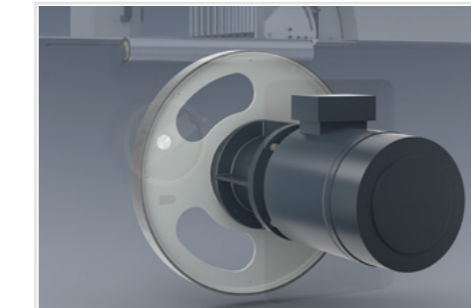
Processing of large cross sections

The VarioSplit 900 is designed in a way that allows you to easily process large cross sections. A band guide, adjustable in height ensures high dimensional accuracy.

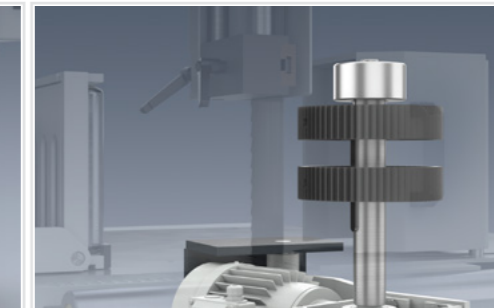
Width fence

Motorized positioning for maximum operating convenience. Manually tiltable for bevel cut applications up to 45°.

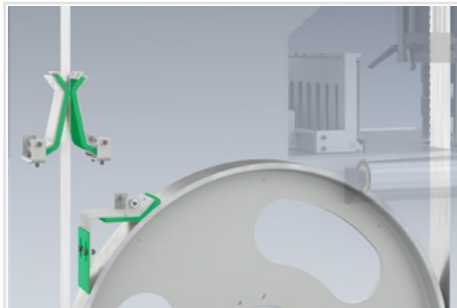
Advanced standard features



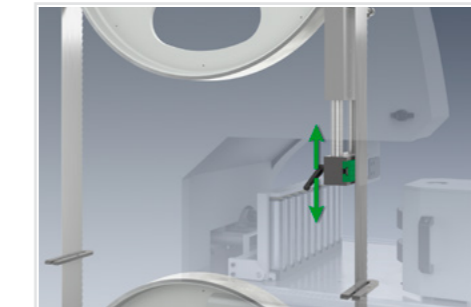
Motor 15 kW with soft-starter and motor brake



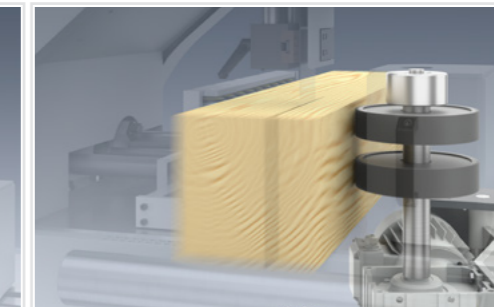
Two feed rollers, spring loaded, in fluted design and adjustable in height



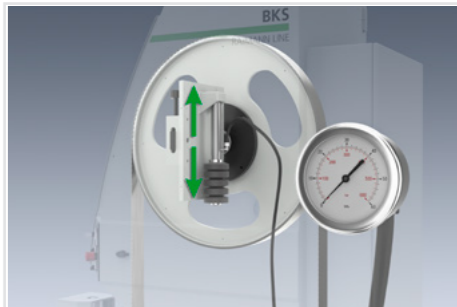
Automatic cleaning and lubrication of the saw blade and both band wheels



Wear resistant saw blade guide, adjustable in height



Stepless, frequency controlled feed speed from 5 - 40 m/min



Hydraulic tensioning of the saw blade

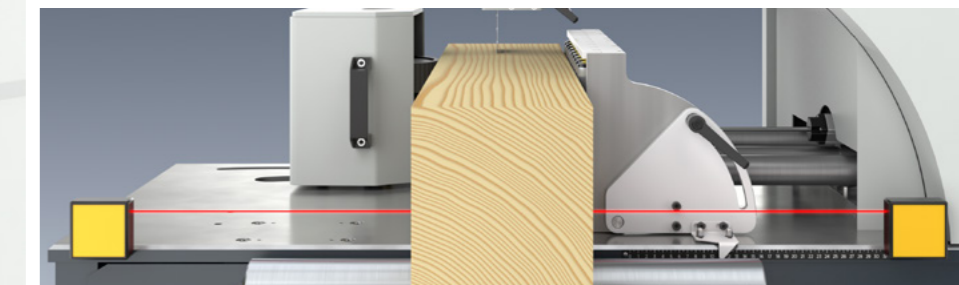
Powerful Options



Touchscreen for convenient adjustment of saw blade speed and feed speed (frequency controlled) as well as entering rip sizes for automatic positioning of the width fence.



Idle roller: easier handling of large, heavy work pieces



Automatic width detection to control positioning of feed rollers and width fence for increased production output.