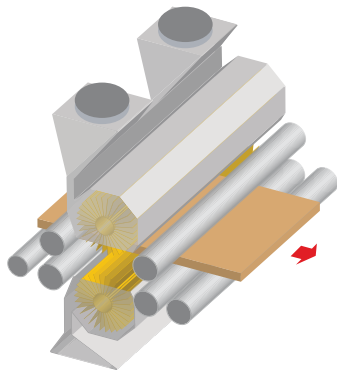


Brush cleaning machines

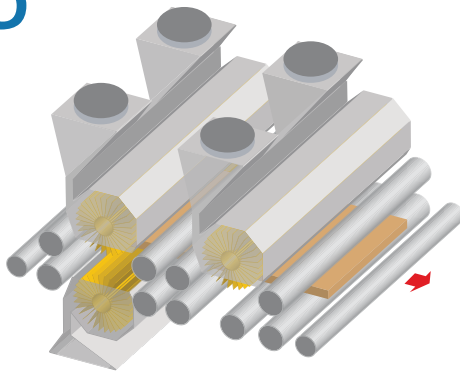
Limpiadoras a cepillos

_LP



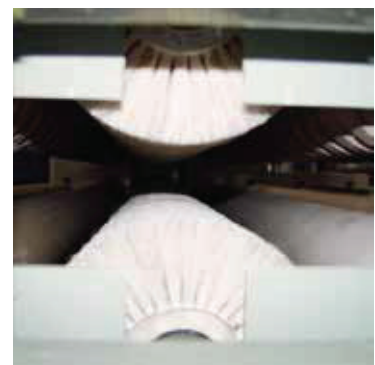
Machines for the cleaning of flat surfaces by means of an upper and a lower Nylon brushes, that rotate in the opposite direction to the workpieces. The lower brush is also adjustable in height. The machine includes a driving roller conveyor for the transport of the workpieces.

_LPD



Máquinas para la limpieza del polvo de la superficie de los paneles con cepillo de Nylon superior y otro inferior que giran en sentido contrario al avance de las piezas. El cepillo inferior también es regulable en altura. Transporte por rodillos motrices.

anchos / widths 600 a /up to 2400 mm



Machine with one upper and one lower reverse rotating brushes of Nylon.

Cepillo superior y otro inferior de Nylon.