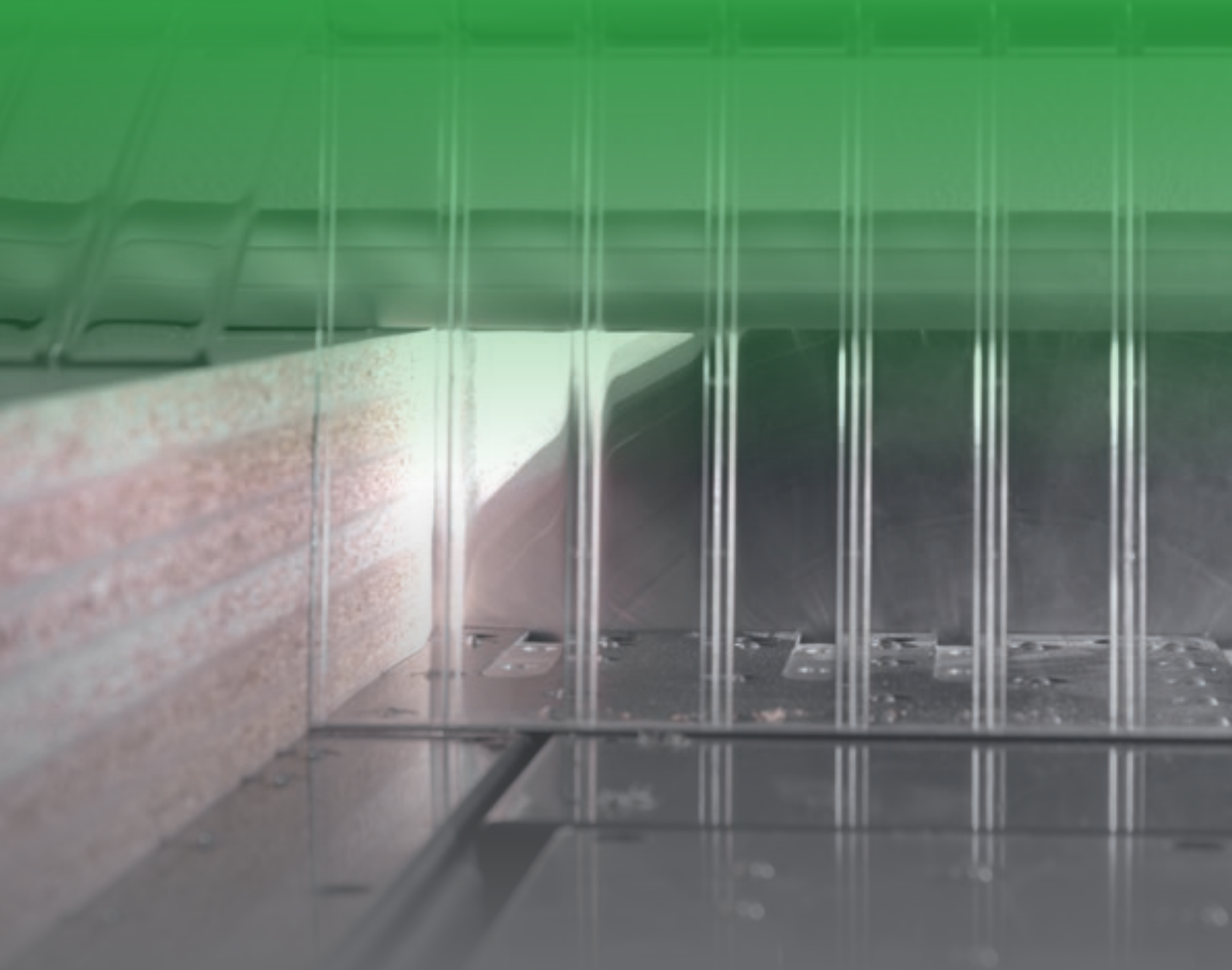


SEL CO

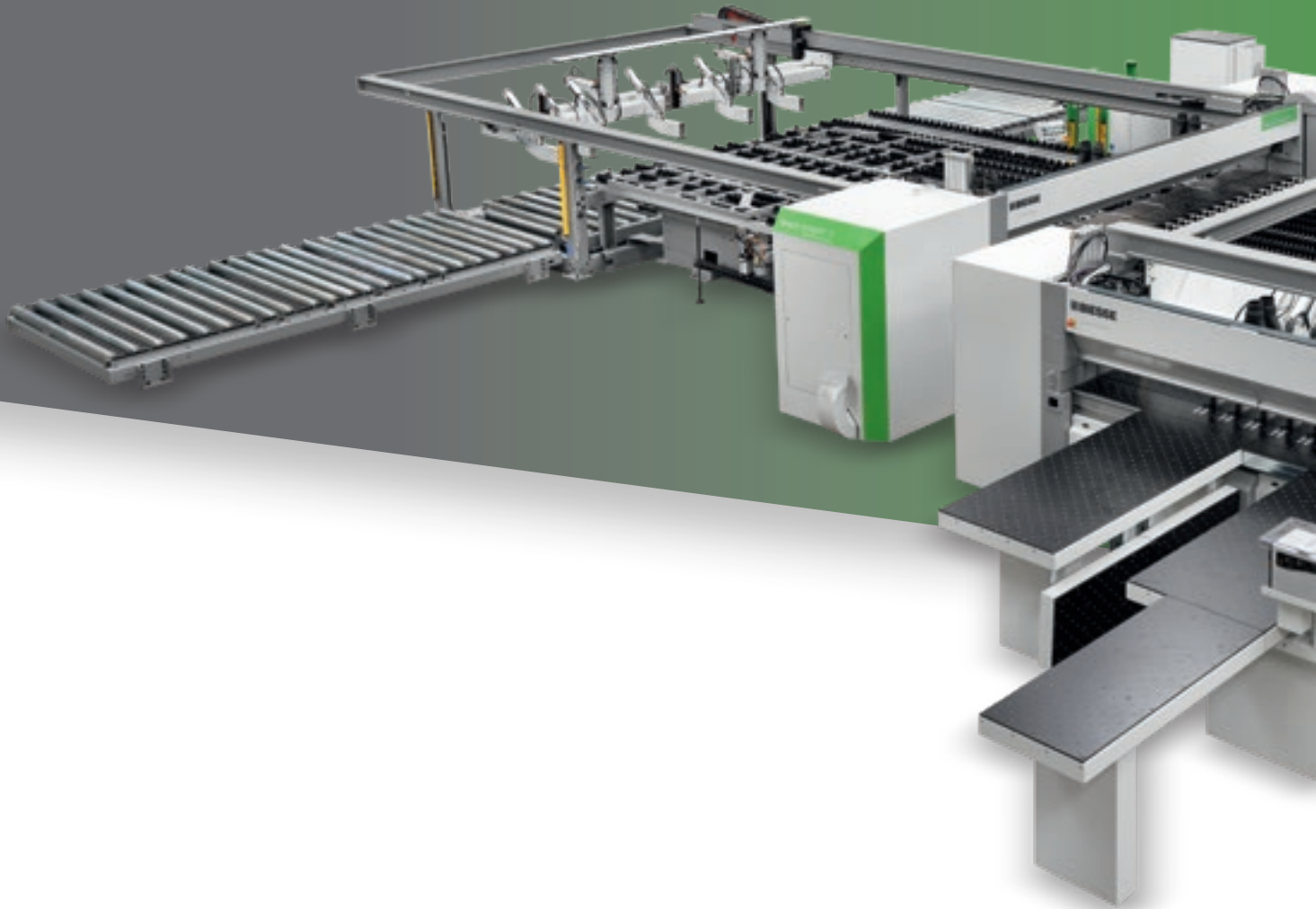
WNA 7

CUT TO SIZE
ANGULAR PLANTS



 **BIESSE**

GREAT RESULTS FROM LARGE SIZES



THE MARKET EXPECTS

a change in manufacturing processes, enabling companies to **accept the largest possible number of orders**. This is coupled with the need to maintain high quality standards whilst offering product customisation with **quick and defined delivery times**, as well as responding to the needs of highly automated enterprises.

BIESSE MEETS

these requirements with technological solutions that highlight and support technical expertise as well as process and material knowledge. **SELCO WNA 7** is a range of cutting systems offering two fully independent cutting lines with automated loading that respond to the requirements of the furniture industry. **SELCO WNA 7** is an innovative solution, unique in its sector in terms of productivity and flexibility.



SELCO WNA 7

- ✔ OPTIMUM CUTTING QUALITY
- ✔ PROCESSING PRECISION FOR LARGE-SIZE PANELS
- ✔ MAXIMUM PRODUCTIVITY ON ANY CUTTING PATTERN
- ✔ WIDE RANGE OF CONFIGURATION OPTIONS
- ✔ PERFECTLY INTEGRATED INTO AUTOMATED LINE SYSTEMS

OPTIMAL CUTTING QUALITY

Solid base structure which ensures perfect stability, maximum quality and long term reliability of machining operations.



The optimal balancing and weight distribution on the two guides guarantees the total absence of vibrations and perfectly straight cutting action.

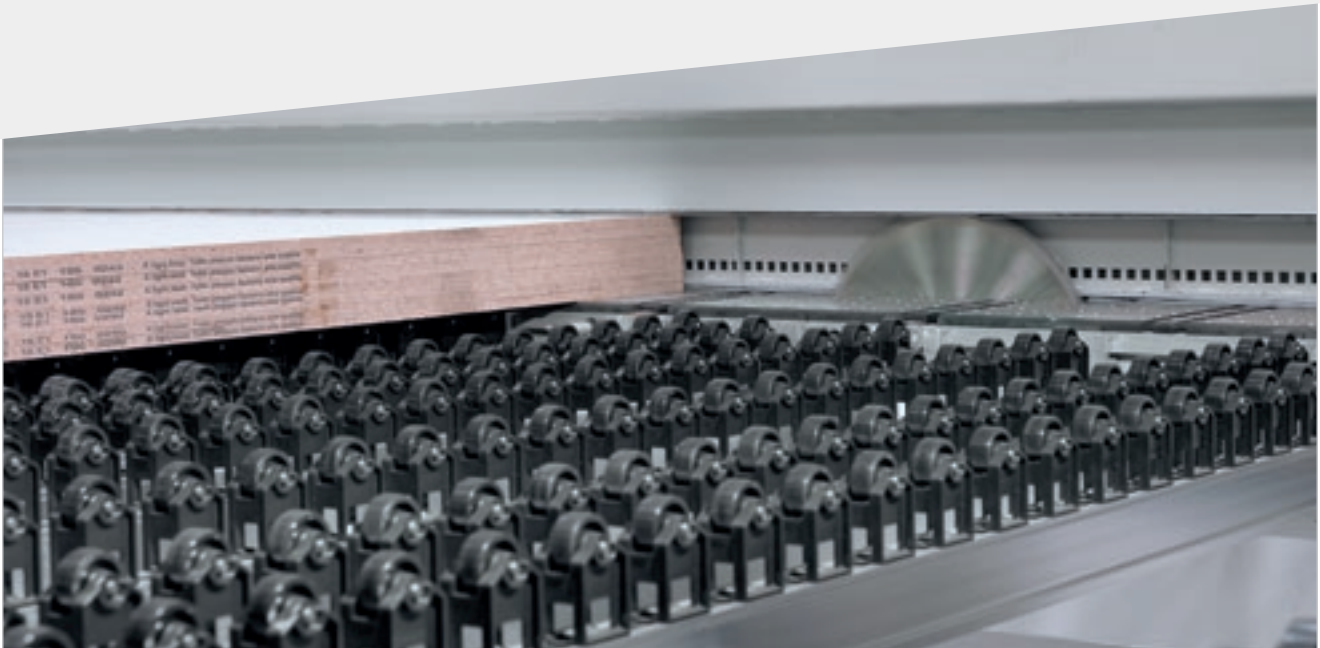


The anti-slide device controls the position and the number of revolutions of the blade, intervening to adjust the advance speed. **Maximum cutting quality, a longer blade lifespan, and reduced maintenance costs.**

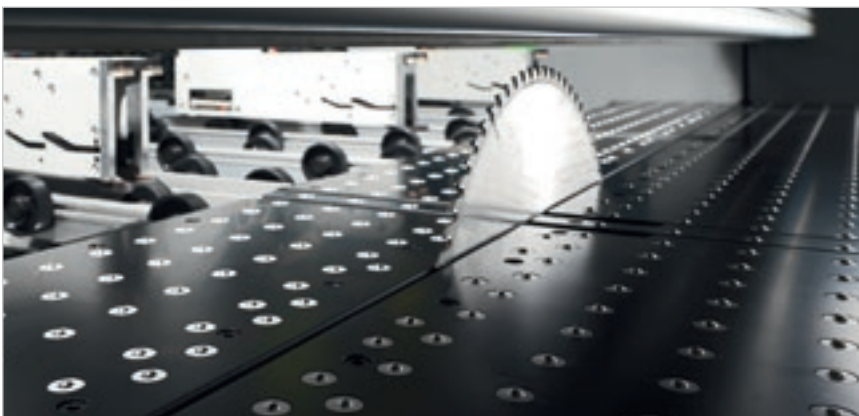


Motorised vertical movement of the blade ensures fast and precise cutting height adjustment.

TOP-QUALITY FINISHED PRODUCT



The double presser, with a double, independent structure, enables the application of consistent, controlled pressure to the stack of panels to be cut, thanks to the continuous gripper action, which also creates an actual sealed chamber for trim cuts and an efficient vacuum for the removal of dust.



Air-cushioned working surface to handle delicate materials. In addition, this characteristic ensures the surface next to the blade is kept constantly clean.



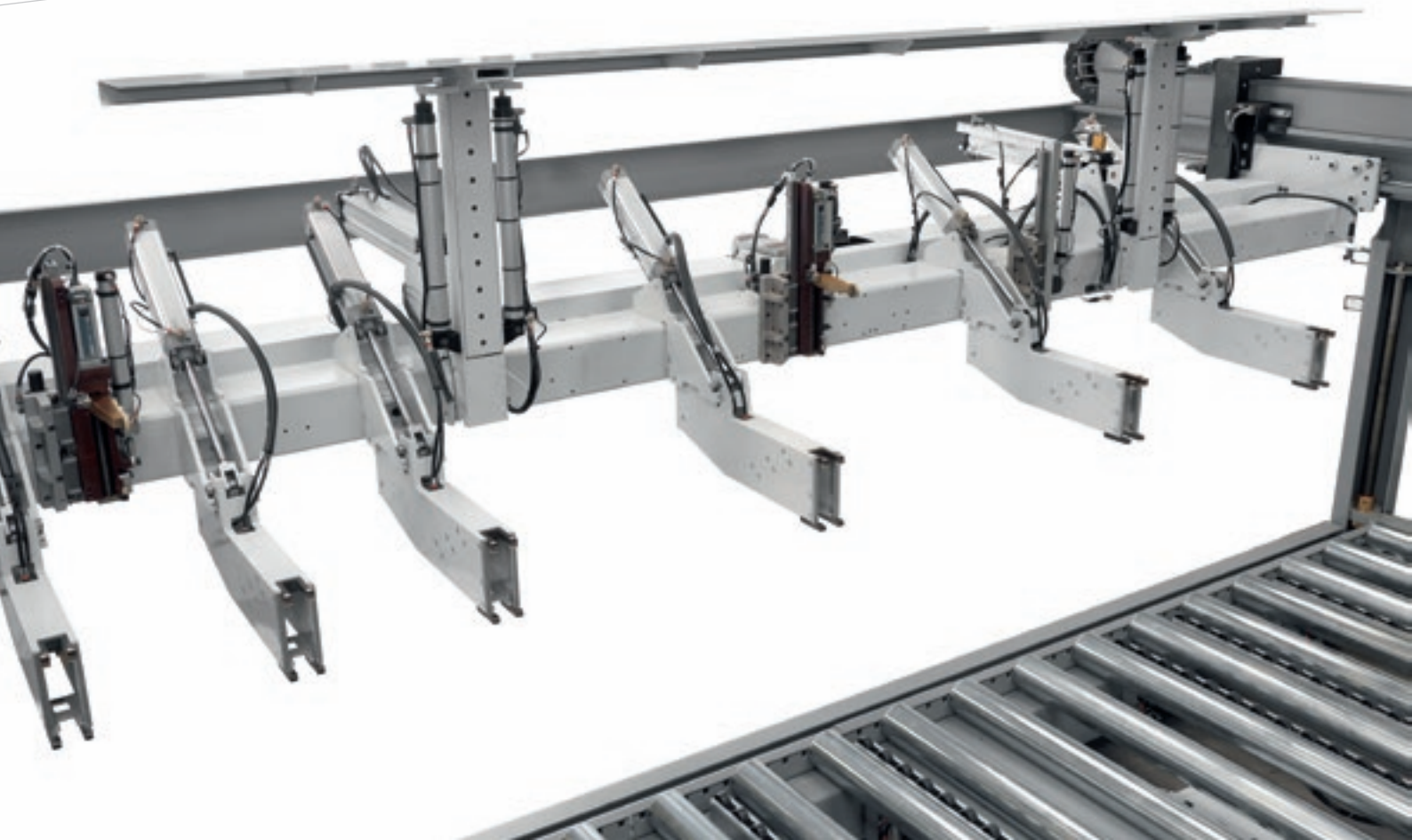
Cutting line closure system, to prevent longitudinal trim cuts from falling into the machine and fouling the blade path.



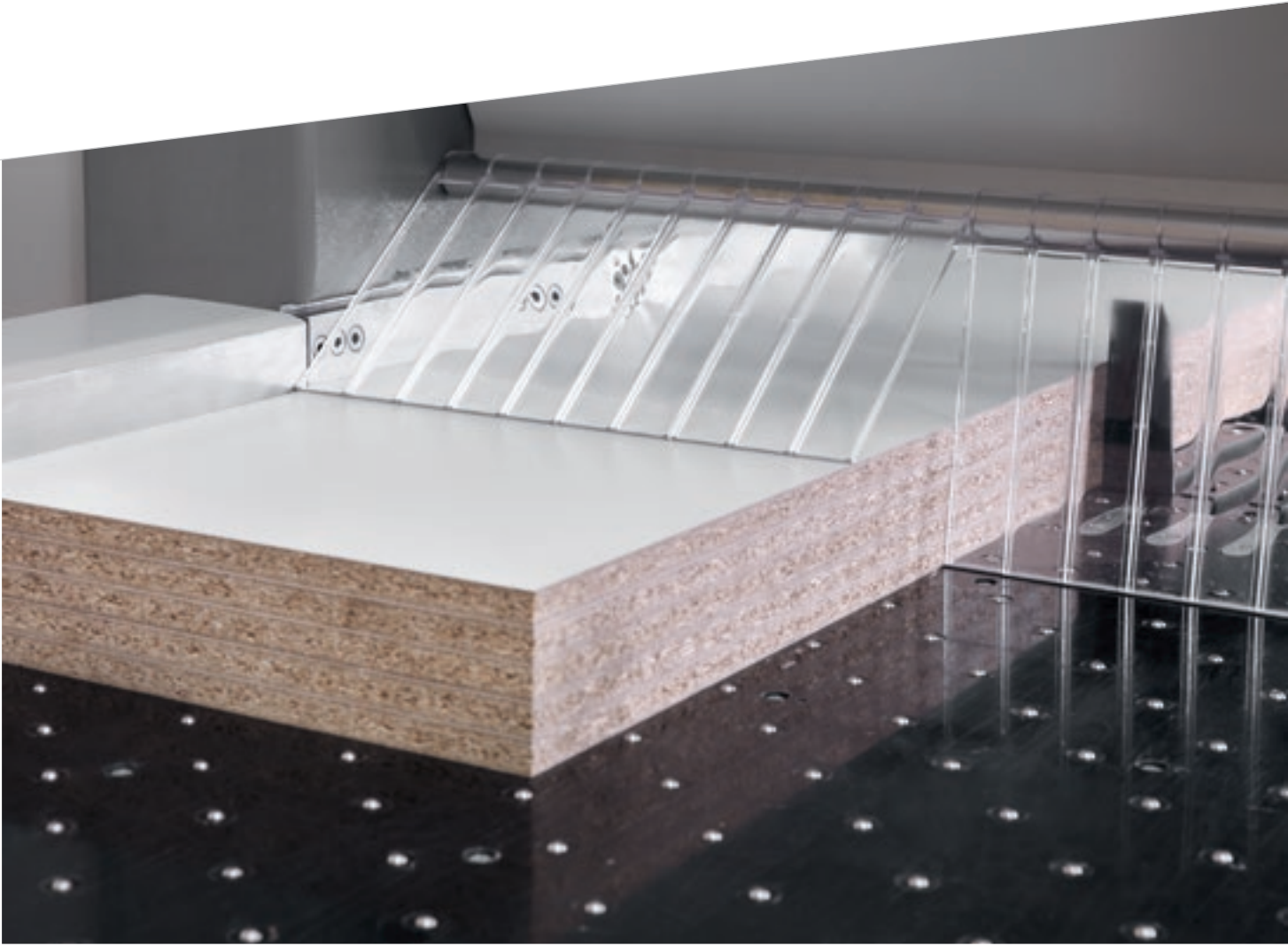
Longitudinal double-edge trims are disposed of by means of a dedicated and fully automated trapdoor with independent rollers.

MACHINING OPERATION PRECISION

The sturdy pushing carriage positions the panels quickly and accurately, thanks to its brushless motor. The slide surface below the pushing device is fitted with independent rollers to avoid marking delicate surfaced panels.



Powerful front aligners align the book of panels against the pushing device collets.



Side alignment stop integrated in the transversal blade carriage. Its features enable the perfect alignment of even the thinnest and/or most flexible panels, reducing cycle time to a minimum

A SOLUTION TO ANY REQUIREMENT



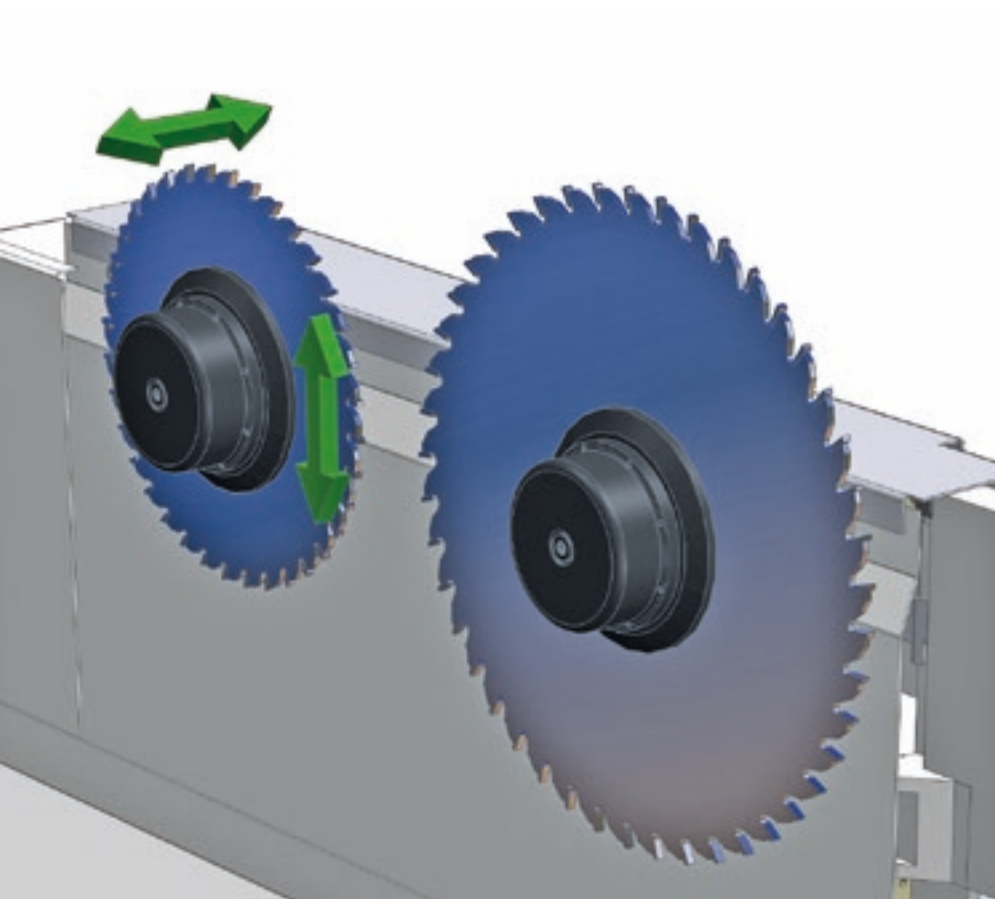
Thin panels can be loaded from the lifting table, using independent floating pushing points that are electronically controlled. A specific logic together with the front pop-up stops prevent the risk of mis-feeding (by means of attrition) those panels that don't belong to the book being fed.

QUICK SET-UP TIMES

Patented systems for quick
and easy regulation.



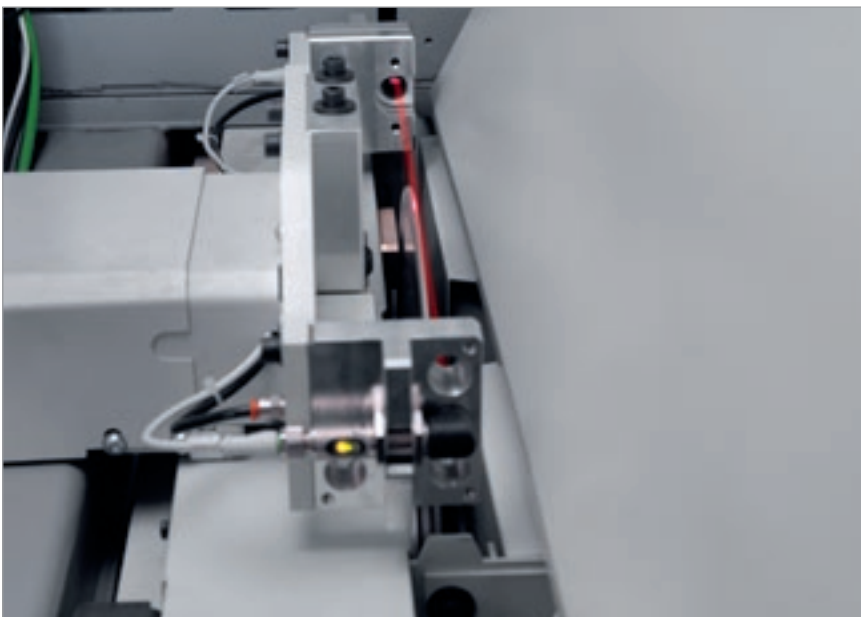
The “**Quick change**” system is the quickest, most ergonomic and safest device for changing blades without using tools.



Fast, accurate setting of the scoring and main blades, using the Digiset system.



Thanks to the system for the automated change of the main blade and the relevant software, the blade can be changed in a fully automated manner in just a few seconds, ensuring precise adjustment and reducing cycle times at the same time.



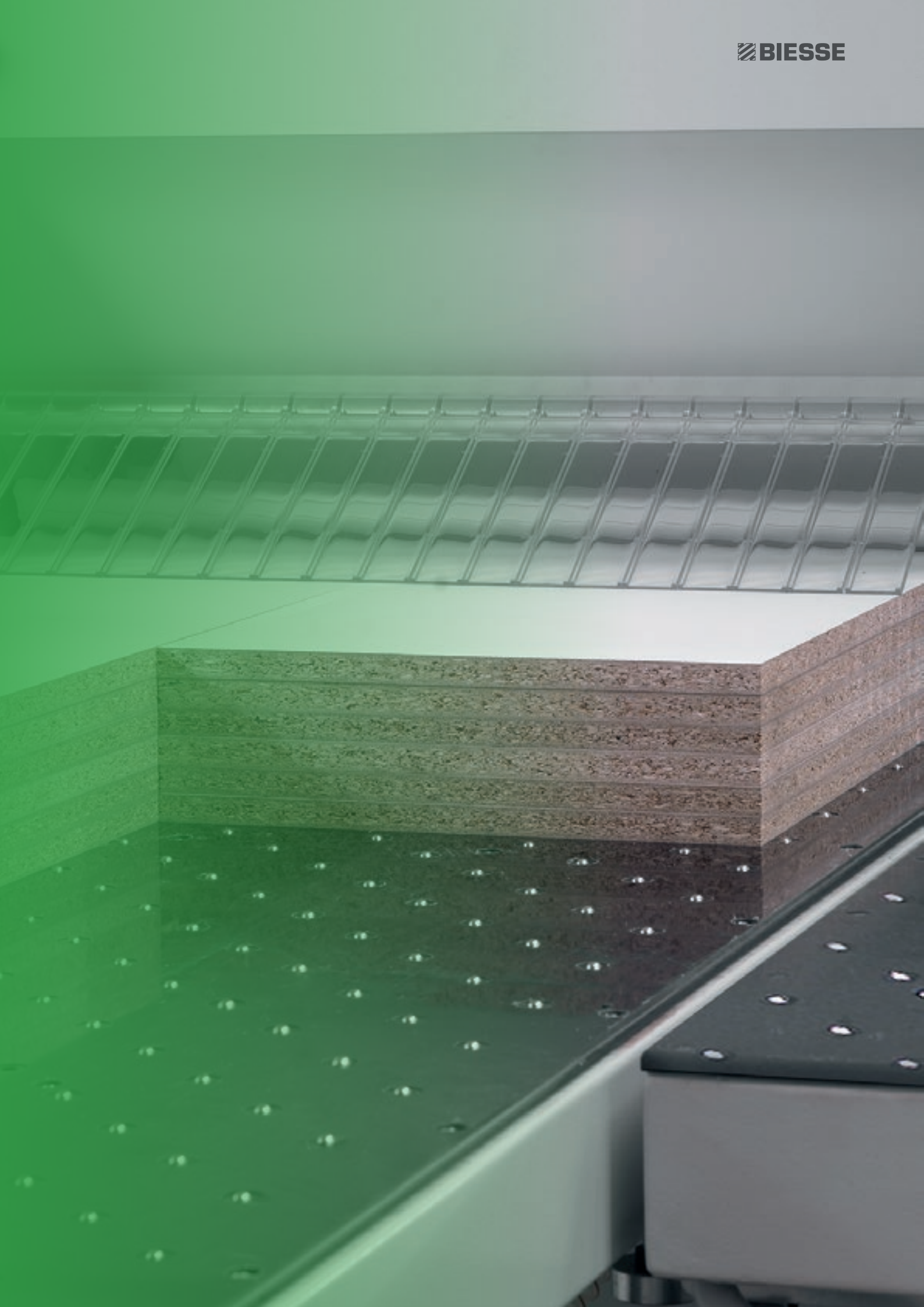
Automatic scoring blade alignment. The patented system automatically aligns the scoring blade in seconds. Supports the reduction of set-up times, test cutting and errors, increasing efficiency and reducing sharpening costs.

MULTI PUS HER

SIMULTANEOUS MULTIPLE ACTION

Significant reduction of processing times thanks to the possibility of combining the grippers with any type of cutting patterns in a single cycle.

System for performing simultaneous transverse cuts due to the two fully independent pushing devices and two completely independent motorless grippers. This mechanism changes distance between the two pushing devices and therefore their working field.

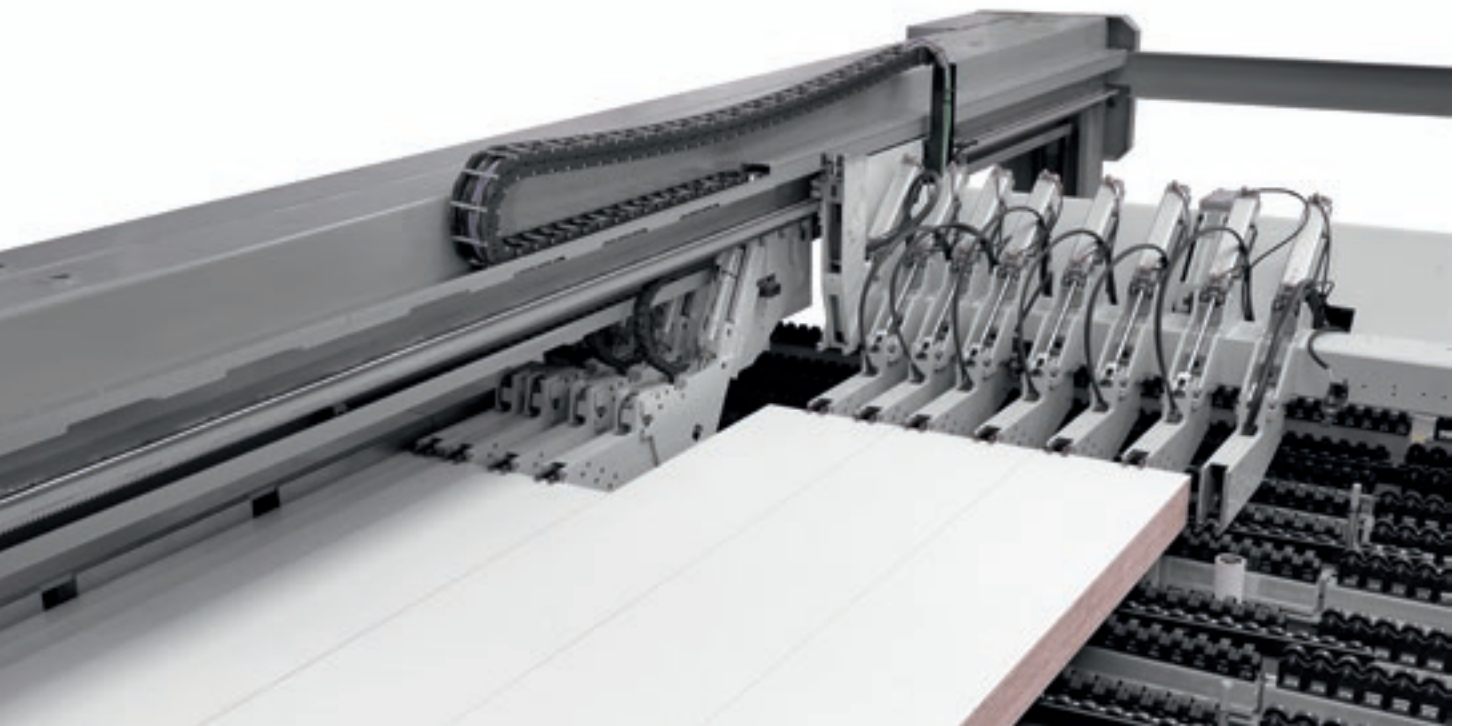


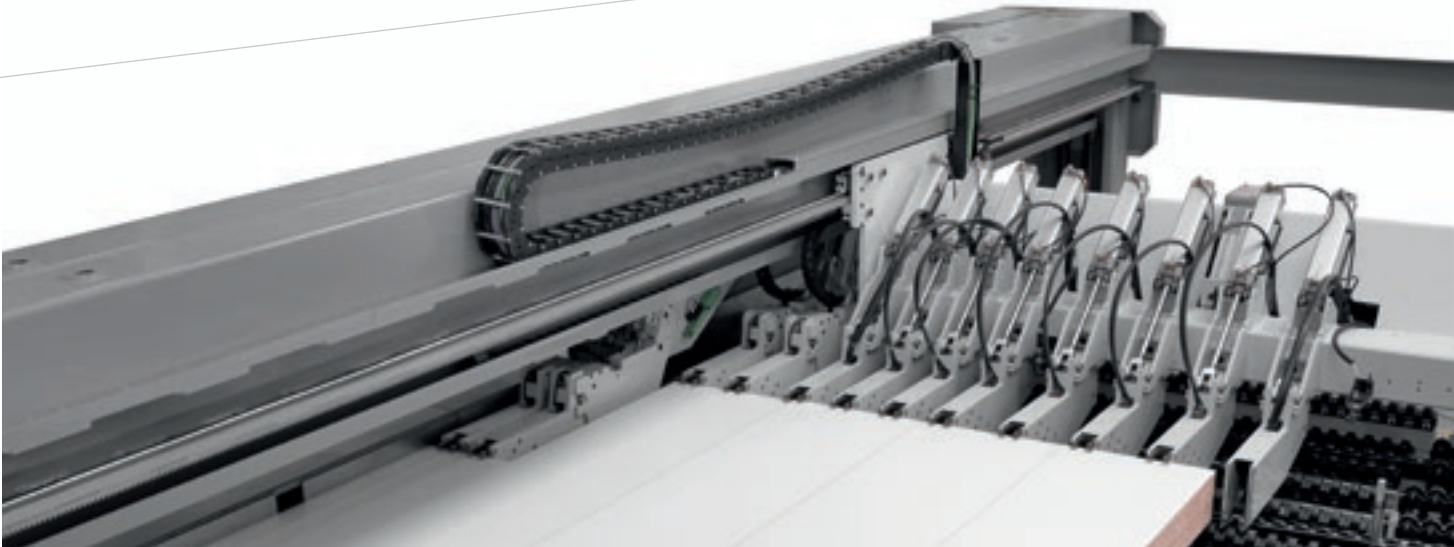
MAXIMUM PRODUCTIVITY ON ANY PATTERN

A wide range of configuration possibilities and cutting patterns.



Based on the cutting patterns, the two grippers on rollers can connect with two pushing devices, both individually or together.





Differentiated cross-cut, also for narrow strips.



The two cutting stations can execute cutting patterns completely independently, thanks to the presence of an intermediate zone that can accommodate a whole panel. Both areas are fully covered in independent rollers to preserve the panels' surface.



REDUCED PANEL LOADING AND DOWNLOADING TIMES

Special solutions for handling stacks and feeding and unloading panels available upon request.



Infeed conveyors with free-running or powered rollers allow the loading and side or rear unloading of panel stacks.



Double-level infeed conveyor. Thanks to the reduced footprint, which utilises height, the double-level infeed conveyor enables the optimisation of space and is perfectly suited to production sites that cannot accommodate two conveyors side by side.



The lift table consists of a strong frame which is equipped with a special structure to load the pack of panels directly by forklift.



Loading and unloading optimised for large volumes.



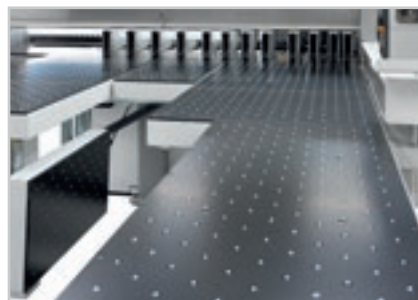
The (patented) rotating station rotates the stack of panels, maintaining the alignment with the point of reference both before and after rotation. Panel clamping devices avoid the misalignment of the stack during the rotation phase.



Front aligners to align the boards in the width directly on the turn station unit.



Panel clamping devices avoid the misalignment of the stack during the rotation phase



Wide range of configuration options to facilitate panel unloading.

PRODUCTION LINES

COMPETITIVE CUSTOMISATION

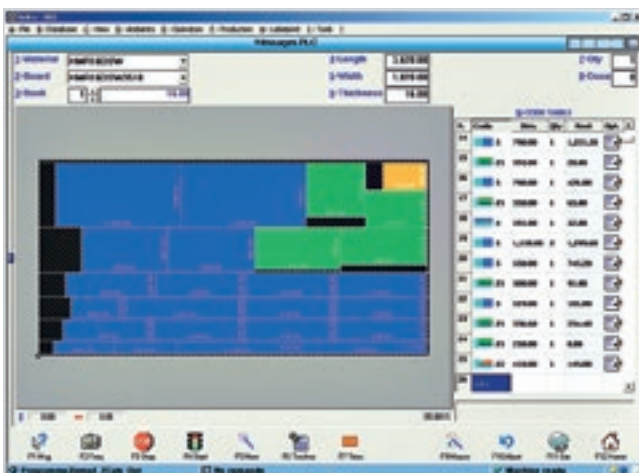
Biesse Systems is a team of highly trained engineers for large scale production processes. Biesse Systems offers integrated cells and systems that are capable of maximising customer competitiveness by combining mass production techniques with a high degree of customisation to meet customers' exact requirements.

Made-to-measure turnkey factories, plus the integration of Biesse Group solutions with complementary software and machinery, with over 1000 systems installed worldwide.



EASY TO USE, WITH OPTIMISED MACHINING OPERATIONS

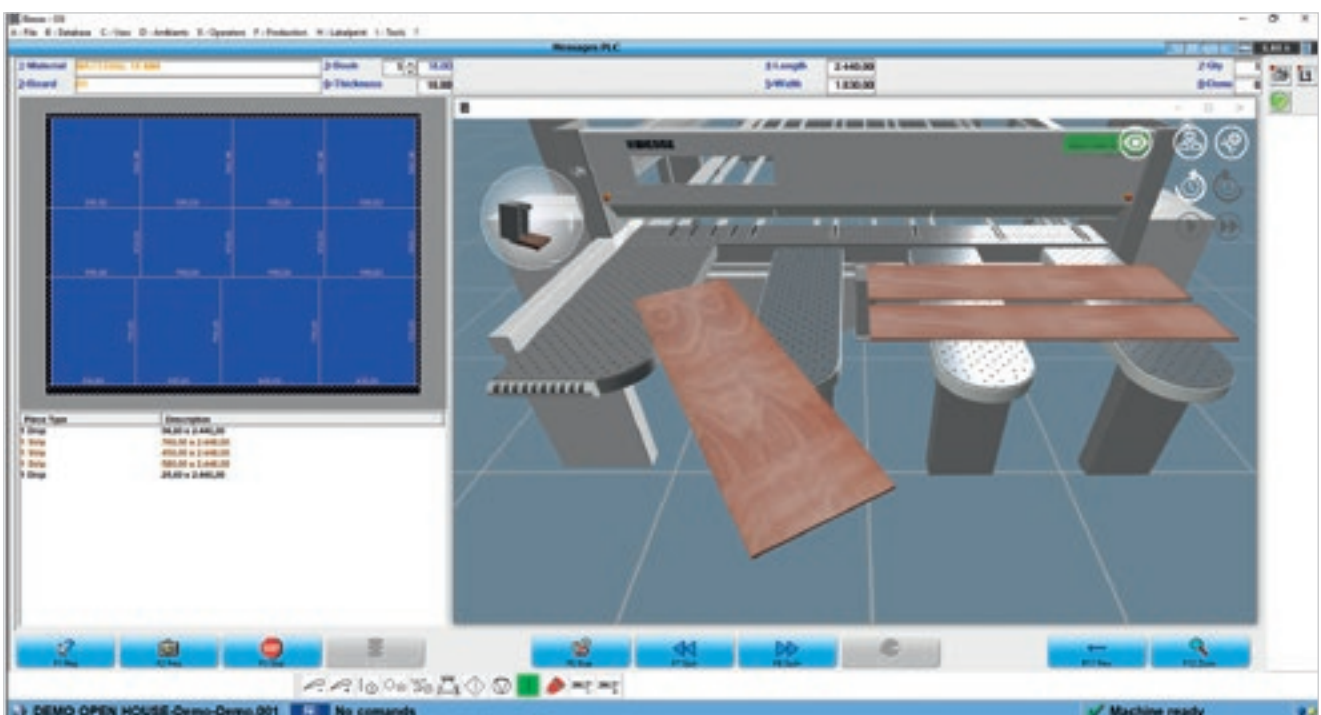
The OSI (Open Selco Interface) numerical control guarantees the management of the execution of cutting patterns, and optimizes all movements relative to controlled axis (i.e. Pusher and Saw Carriage, pressure beam, blade height). It ensures the blade protrudes from the book to the correct degree during sectioning, and calculates the most suitable cutting speed on the basis of the book height and trim cut width. It helps ensure the best cutting quality at all times.



Easy cutting pattern programming.



Graphic simulation in real time, with messages and information for the operator.

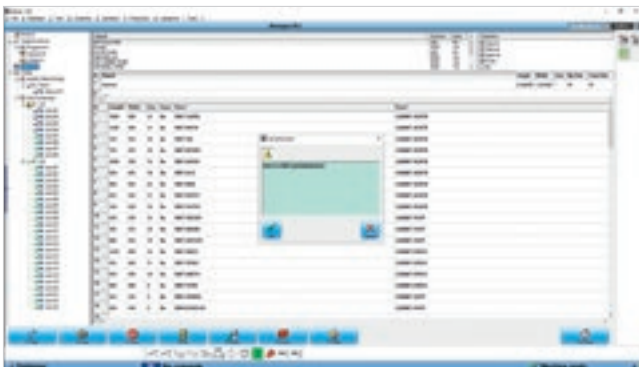




Interactive program for the quick, easy execution of cuts and grooves, even on recycled panels.



An effective diagnosis and troubleshooting program provides complete information (photos and text) to ensure that any problems are quickly resolved.

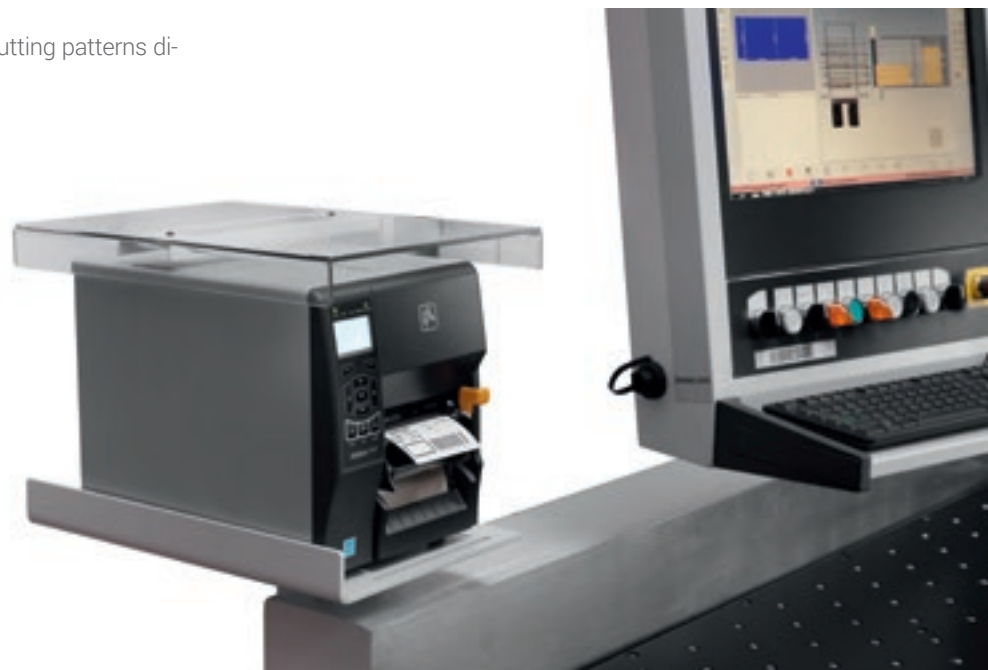


Quick Opti

Simple, intuitive software for optimising the cutting patterns directly on the machine.*

Labelling.

A special software creates individual labels and prints them in real time, on the machine. The information available can also be printed in bar code form.



SOFTWARE FOR THE SMART, ASSISTED MANAGEMENT OF CUTTING PATTERNS



B_OPTI IS THE SOFTWARE FOR OPTIMISING CUTTING PATTERNS, DEVELOPED ENTIRELY BY BIESSE. BASED ON THE LIST OF PIECES TO BE PRODUCED AND THE PANELS AVAILABLE, IT CAN CALCULATE THE BEST SOLUTION TO MINIMISE MATERIAL CONSUMPTION, SECTIONING TIMES AND PRODUCTION COSTS.

- Simple, user-friendly interface.
- Excellent reliability of the calculation algorithms for production batches in small and large companies.
- Automatic import of the cutting list generated by the software for the design of furniture items and/or ERP management systems.



CAN BE FULLY INTEGRATED WITH AUTOMATED LINE SYSTEMS

Biesse can provide bespoke solutions which are tailored to meet your specific productivity, automation and space requirements.



Winstore

Automated solution for cutting cells loading.



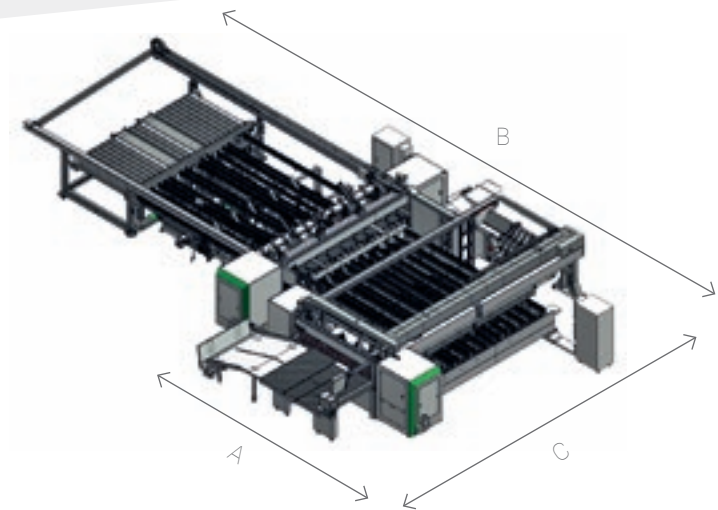
Lifter

Bridge unloader for cutting cells.



Cutting system with automated unloading for large batches.

TECHNICAL SPECIFICATIONS



SELCO WNA 730-750

| | | 4500X2200 | 4500X3000 | 5900X2200 | 5900X3000 |
|---|---------|-----------|-----------|-----------|-----------|
| A | mm/inch | 5750/226 | 6250/246 | 5750/226 | 6250/246 |
| B | mm/inch | 11600/457 | 14200/559 | 11600/457 | 14200/559 |
| C | mm/inch | 9750/384 | 9750/384 | 11350/447 | 11350/447 |

SELCO WNAR 730-750

| | | 4500X2200 | 4500X3000 | 5900X2200 | 5900X3000 |
|---|---------|-----------|-----------|-----------|-----------|
| A | mm/inch | 5750/226 | 6250/246 | 5750/226 | 6250/246 |
| B | mm/inch | 16000/630 | 18300/720 | 17350/683 | 19650/774 |
| C | mm/inch | 9750/384 | 9750/384 | 11350/447 | 11350/447 |

| | | 730 | 750 |
|-----------------------------------|----------------|---------------|---------|
| Maximum base protrusion | mm/inch | 127/5 | 152/5.9 |
| Main blade motor | kW | 18,5 | 22 |
| Engraver blade motor | kW | 2.2 | |
| Blade carriage transfer | | brushless | |
| Blade carriage speed | m/min - ft/min | 1-170/3.2-558 | |
| Pushing device transfer | | brushless | |
| Longitudinal pushing device speed | m/min - ft/min | 90/295 | |
| Transversal pushing device speed | m/min - ft/min | 90/295 | |
| Work table height | mm/inch | 1040/41 | |
| Stack to be loaded | mm/inch | 630/25 | |

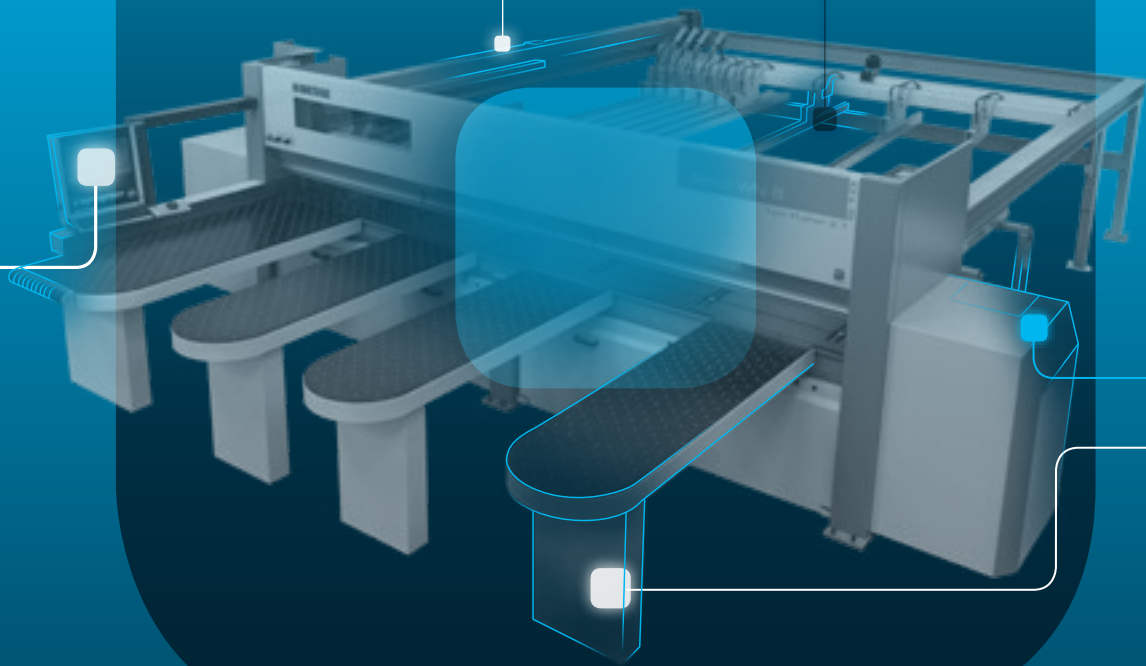
The technical specifications and drawings are non-binding. Some photos may show machines equipped with optional features. Biesse Spa reserves the right to carry out modifications without prior notice.

Weighted surface noise level A (LpA) dB(A) 88,2. Weighted noise level A (LwA) dB(A) 105. Uncertainty of measurement K = 4 dB (A).

The measurement was carried out in compliance with UNI EN ISO 3746, UNI EN ISO 11202 and subsequent modifications. The noise levels indicated are output levels and do not necessarily represent safe operational levels. Even though there is a relation between emission levels and exposure levels, this cannot be used reliably to establish whether or not further precautions are necessary. The factors determining the actual noise levels to which the operative personnel are exposed to include the length of exposure, the characteristics of the work environment, other emission sources, i.e. the number of machines and machining operations in the vicinity. In any case, this information will help the machine user to better assess the danger and risks involved.

SOPHIA

GREATER VALUE FROM MACHINES



SOPHIA is the IoT platform created by Biesse in collaboration with Accenture which enables its customers to access a wide range of services to streamline and rationalise their work management processes.

It allows alerts and indicators to be sent to the customer in real time, in relation to production, the machines used and the type of process carried out. These are detailed instructions for more efficient use of the machine.

□ **10% CUT IN COSTS**

□ **50% REDUCTION
IN MACHINE DOWNTIME**

□ **10% INCREASE
IN PRODUCTIVITY**

□ **80% REDUCTION IN PROBLEM
DIAGNOSTICS TIME**

**SOPHIA TAKES THE INTERACTION BETWEEN
CUSTOMER AND SERVICE TO A HIGHER LEVEL.**

iOT
SOPHIA

IoT - SOPHIA provides a comprehensive overview of the specific machine performance features, with remote diagnostics, machine stoppage analysis and fault prevention. The service includes a continuous connection with the control centre, the option of calling for assistance from within the customer app (such calls are managed as priorities), and an inspection visit for diagnostic and performance testing within the warranty period. Through SOPHIA, the customer receives priority technical assistance.

PARTS
SOPHIA

PARTS SOPHIA is the easy new, user-friendly and personalised tool for ordering Biesse spare parts. The portal offers customers, dealers and branches the chance to navigate within a personalised account, consult the constantly updated documentation of the machines purchased, and create a spare parts purchase basket indicating the real time availability in the warehouse and the relative price list. In addition, the progress of the order can be monitored at all times.

 **BIESSE**

in collaboration with  **accenture**

CUSTOMER CARE IS WHO WE ARE

SERVICES is a new experience for our customers, to offer not just excellent technology but the added value of an increasingly direct connection with the company, the professionals who work there and the experience they embody.



ADVANCED DIAGNOSTICS

Digital channels for remote interaction online 24/7. Always ready to intervene on-site seven days a week.



A WORLDWIDE NETWORK

39 branch offices, over 300 certified agents, retailers in 120 countries, and spare parts warehouses in America, Europe and the Far East.



SPARE PARTS AVAILABLE IMMEDIATELY

Identification, shipping and delivery of spare parts for every need.



EVOLVED TRAINING OPPORTUNITIES

Lots of on-site, online and classroom training modules for personalised growth.



VALUABLE SERVICES

A wide range of services and software packages to help our customers achieve continuous improvements in performance.

AN EXCELLENT LEVEL OF SERVICE

+550

HIGHLY SPECIALISED
TECHNICIANS AROUND
THE WORLD, READY TO HELP
CUSTOMERS WITH EVERY
NEED

90%

OF MACHINE DOWN CASES
WITH RESPONSE TIME
UNDER 1 HOUR

+100

EXPERTS IN DIRECT
CONTACT THROUGH
REMOTE CONNECTIONS
AND TELESERVICE

92%

OF SPARE PARTS ORDERS
FOR MACHINE DOWNTIME
PROCESSED WITHIN 24
HOURS

+50.000

ITEMS IN STOCK IN THE
SPARE PARTS WAREHOUSES

+5.000

PREVENTIVE MAINTENANCE
VISITS

80%

OF SUPPORT REQUESTS
SOLVED ONLINE

96%

OF SPARE PARTS ORDERS
DELIVERED IN FULL ON TIME

88%

OF CASES SOLVED WITH
THE FIRST ON-SITE VISIT

MADE WITH BIESSE

LE BOONE INTERNATIONAL TOP PRODUCTION WITH INTEGRATION AND AUTOMATION

Le Boone International was founded in 1950 by Jan Van Hecke, and has since become a worldwide point of reference in the furnishing sector.

Over the last thirty years, the company has specialised in the design and production of furniture items that optimise the space in the rooms where they're used, from the home to the workplace.

Despite its growth within the market, the company has maintained its production site in Poperinge, Belgium.

"Our market includes various target groups, from people looking for space to those who want to transform it and those who want to live one single area of the home in a multi-purpose way" explains Jan Van Hecke. Le Boone International was set up in a period when house prices were growing all the time: "with the rooms getting smaller, I glimpsed an opportunity. Thirty years ago, I started

creating solutions for safeguarding space, fitting out small rooms with furniture items that had a dual function so the room could be a living room by day and a bedroom at night" says Van Hecke.

The market of Le Boone International developed enormously within a short space of time, and that's why the company soon began to feel the need for machinery that would help speed up the production process so that the many market requests could be met. It decided straight away to invest, purchasing a whole Biesse line that now allows it to greatly reduce production and shipment times.

"After thoroughly analysing the market and evaluating the various solutions, we turned to Biesse. We received substantial technical support during the initial phase of choosing the product, discovering the multitude of possibilities in the huge Biesse range. Six months ago, we opted for a complete solu-

tion with a number of machines that work simultaneously in a line. "First of all", continues Jan Van Hecke, "the Brema Eko 2.1, a vertical boring machine for real time panel machining, the Stream A lateral edgbanding machine, and the Selco WN6 - a panel saw that stands out from its competitors for its amazing flexibility. The extent of the range, the flexibility of the products and the integration of technologies are the factors that have confirmed the efficacy and validity of our choice. For us, this has meant notable time saving, to the extent that after just one month we went from 3-month delivery times to just one and a half weeks, or two at the most. And all this with a general increase in the quality level as well. As a result, we've purchased a total of three Biesse machines", concludes Van Hecke.

THE BIESSE SIZING RANGE

FLEXIBLE CUTTING



NEXTSTEP



SELCO WN 6 ROS

SINGLE-LINE BEAM SAWS



SELCO WN 2



SELCO SK 3



SELCO SK 4

SINGLE-LINE BEAM SAWS



SELCO WN 6



SELCO WN 7

CUT TO SIZE ANGULAR PLANTS



SELCO WNA 6

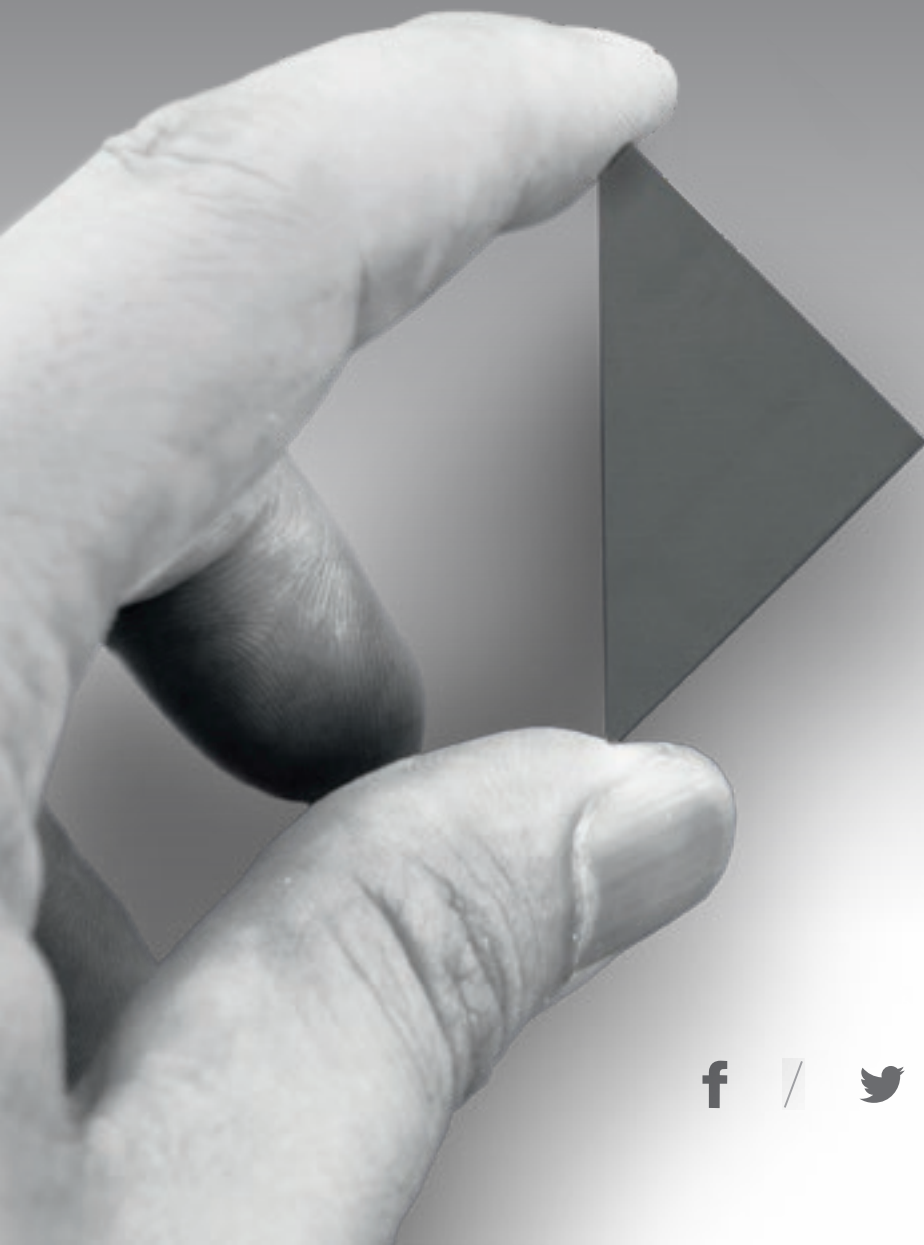


SELCO WNA 7



SELCO WNA 8

LIVE THE EXPERIENC



BIESSEGROUP.COM

E



Interconnected technologies and advanced services that maximise efficiency and productivity, generating new skills to serve better our customer.

LIVE THE BIESSE GROUP EXPERIENCE AT OUR CAMPUSES ACROSS THE WORLD

 **BIESSEGROUP**

