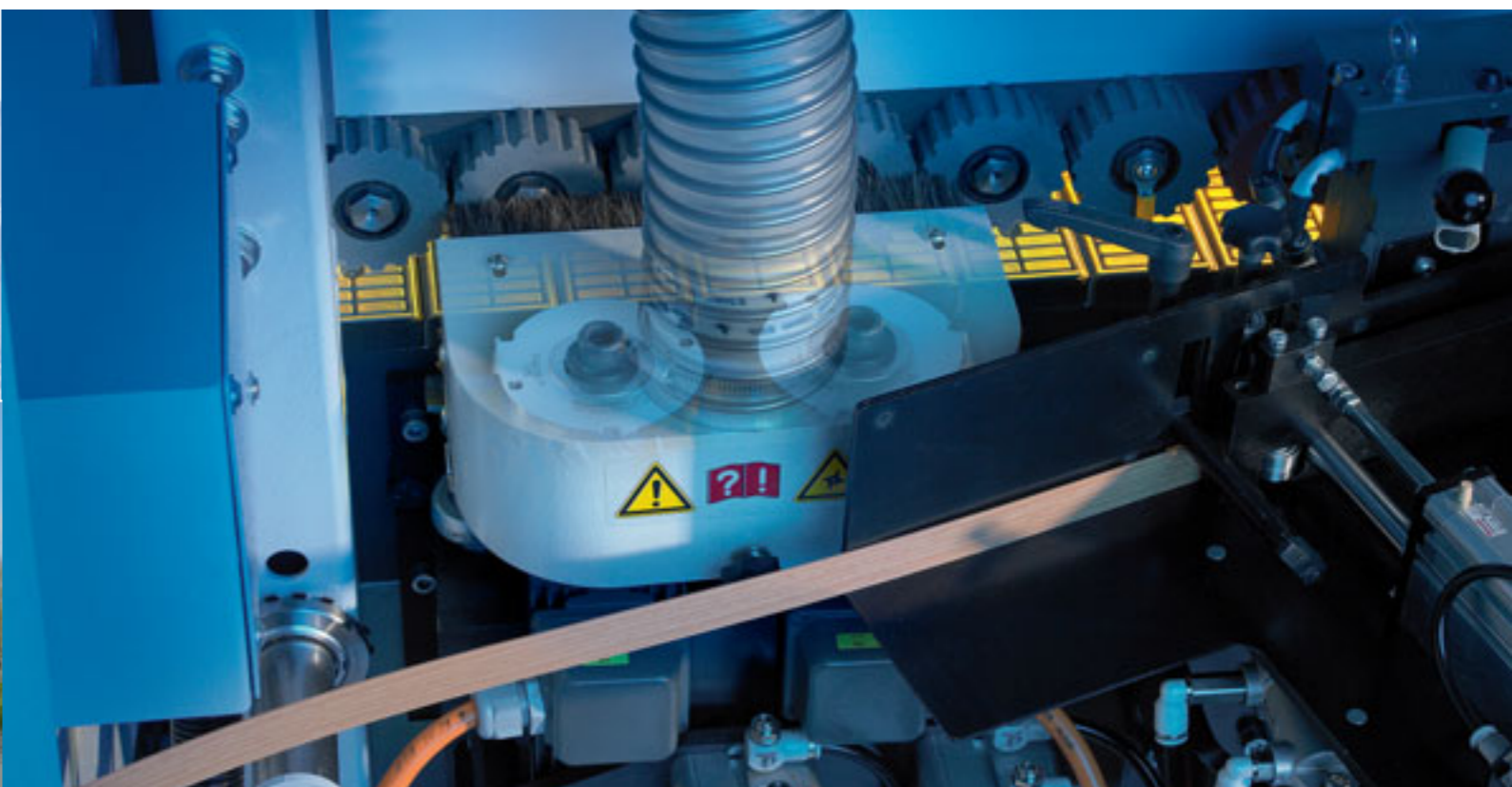




Edge banding machines Ambition 1110 - 1110 F



A member of the Homag Group of Companies



BRANDT Kantentechnik GmbH
Weststraße 2
32657 Lemgo
Germany
Tel. +49 5261/974-0
Fax +49 5261/6486
info@brandt.de
<http://www.brandt.de>

HOMAG Group

Success through partnership

To survive in a fiercely competitive market, a company has to have fast, flexible and efficient production. The HOMAG Group, with its sales and service network in over 90 countries around the world, offers you and your employees a strong partnership no matter where you are.

The HOMAG Group of companies cover all areas of woodworking and wood-processing. Panel sizing, sawing, edge technology, transportation technology and handling systems are just a few of our specialties. We also offer solutions for drilling, coating technology, surface technology, plants for doors and doorframes, timber house

construction, sanding technology, automation systems, packaging equipment and software. We provide a complete and innovative range of products and services that are always the perfect solution for any requirement. You, our customers, benefit from high precision, performance and cutting-edge technology.

BRANDT

Perfect edges for demanding customers

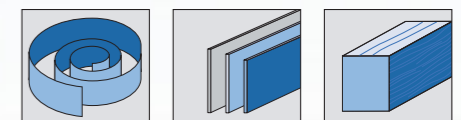
We offer our customers innovative and powerful edgebanding machines. Efficiency and quality have the highest priority, and ensure long-term competitive advantages for you. With an annual production of over 2000 edgebanding machines, we are the edgebanding specialist in the HOMAG Group and the world leader in our market segment.

A high degree of standardization in combination with an advanced manufacturing process and more than 50 years of engineering experience ensure state of the art quality at a superb price-performance ratio. Our clear and structured product range is designed to

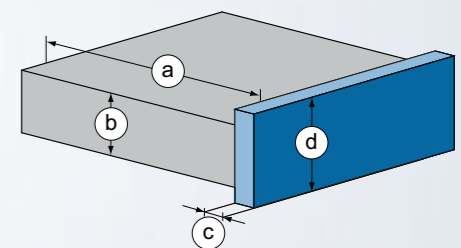
meet the demands of current and future market trends. All of our developments are focused toward practically-oriented and economic solutions that guarantee you the best possible production results.



Ambition 1110 F



mm	Coil	Strips	Solid
a		min. 70	
b		8 - 40	
c		0,4 - 3	
d		45	



"Ideally prepared for your requirements"

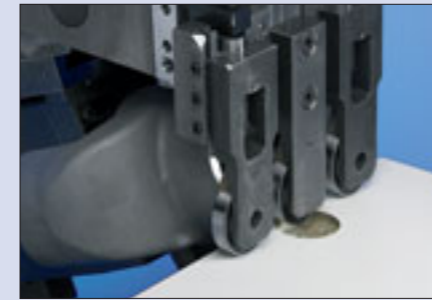
Ambition 1110 - 1110 F. The Basic for success

High flexibility and intuitive operation characterise the compact edge banding machines of the Ambition 1110s Series, which include two machines, with and without joint trimming unit.

All machines are equipped with a precision gluing unit and a coil magazine. The magazine can be upgraded, so that it can be used for coiled and strip material. The two motor end-trimming-unit assures precise end trimming and perfect results.

The trimming unit is easy to use and allows a quick changeover to chamfer, straight and radius trimming. The feed speed of these models are 8 m/min. Highlight of these machines is the finishing area. It comes with two free spaces and offers therefore high flexibility.

Three different units are available (profile scraping, glue joint scraping and buffing), which can be put in different combinations to the free spaces.



Nesting package (optional)

Includes a multi-roller tracing device for the trimming and scraping units to compensate for hinge holes.

Infeed fence

Adjustable, for the exact adjustment of the joint trim value.

Joint trimming unit (Ambition 1110 F)

Perfect cut for an optimum edge joint quality.

Gluing unit and coil magazine

Coil magazine for a reliable edge material supply. Optimal glue joints, by controlling the exact amount of glue.

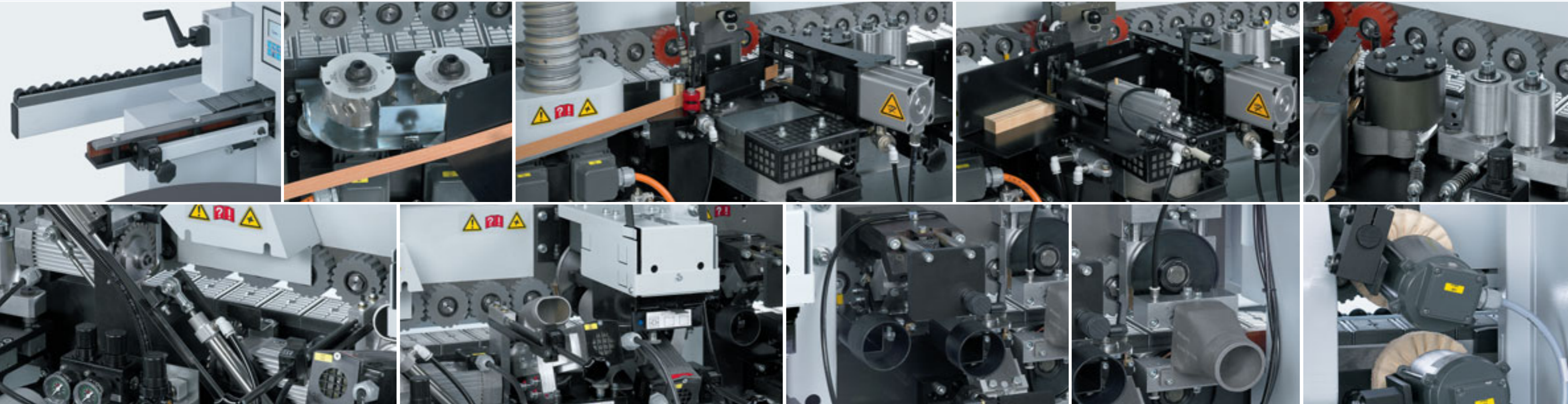
Automatic fixed length magazine (optional)

For coiled material and fixed lengths up to 3mm thickness.



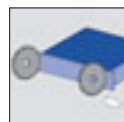
Pressure zone

Pressure zone up to 3 mm edge thickness and 40 mm workpiece height for an optimal glue joint



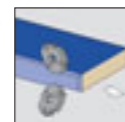
End-trim unit

Precise end-cut through a strong end-trimming unit, equipped with THK guides.



Trimming unit

Trimming unit with DFC tool technology for optimum dust extraction.



Profile scraping unit (optional)

Unit to smooth radii or chamfers. Optional available as scraping unit with Quick-Change Heads, for a fast profile change.



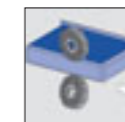
Glue joint scraping unit (optional)

For the perfect finish.



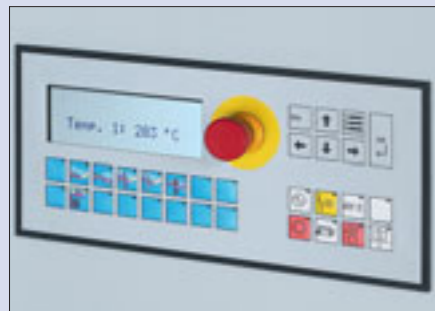
Buffing unit (optional)

Buffing unit to polish edges and maintain their natural colour.



The controller – Quality and precision with the touch of a button

Through targeted and constant development of controller technology, simple operation and a high operating comfort are guaranteed. At BRANDT we focus on you as our customer and your finished product.

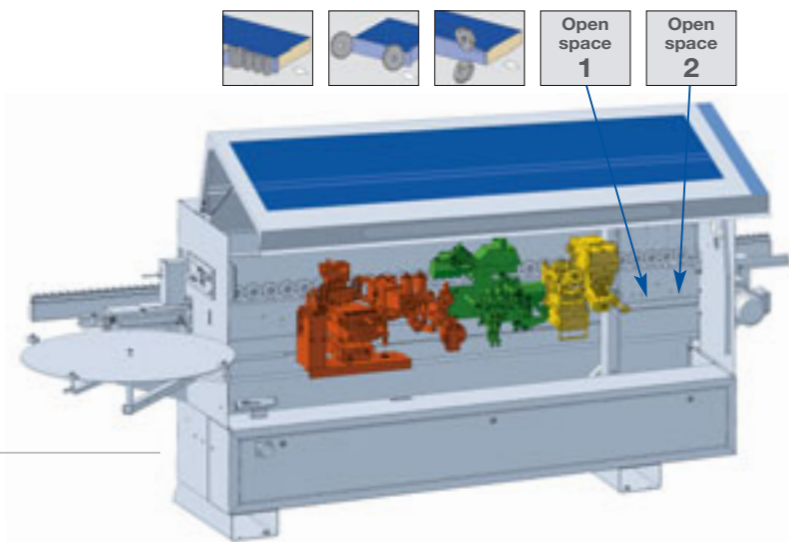


easyControl EC 10+, offering every "plus" for the customer

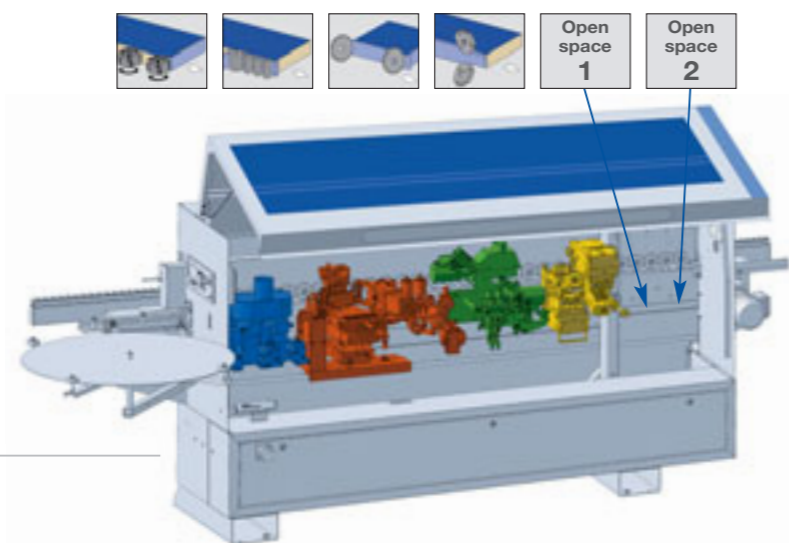
- + High operating convenience through simple menu format and optimized linepoint adjustment.
- + Fast access to all unit functions through dedicated control buttons.
- + Quick change over to different edgebanding material through user-defined programs.
- + Easy to read large 4-line operating display
- + Clear text error diagnostics provide high operating convenience



Technical Data



Ambition 1110



Ambition 1110 F

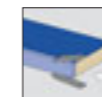
2 open spaces for your flexibility



Profile scraping unit



Glue joint scraping unit



Buffing unit



Both open spaces can be free equipped in the post processing area. Profile scraping unit, glue joint scraping unit and buffing unit can be mounted in various combinations on these open spaces.

Type of machine	Ambition 1110	Ambition 1110 F
Machine dimensions		
Machine length (mm)	3672	3672
Working height (mm)	950	
Machine dimensions WxH (mm)	1454 x 1982	
Working dimensions		
Workpiece thickness (mm)	8 - 40	
Edge material thickness (mm)	0,4 - 3,0	
Miscellaneous		
Feed speed (m/min)	8	
Weight (kg)	700	750
Connected value (kW)	6,5	7,5
Extraction diameter (mm)	3x80 / (1x100 opt.)	4x80 / (1x100 opt.)
Electrics	400 V - 3 Ph. - 50 Hz.	
Pneumatics (bar)	6	

All rights for technical changes withheld. Individual machine pictures may show options.