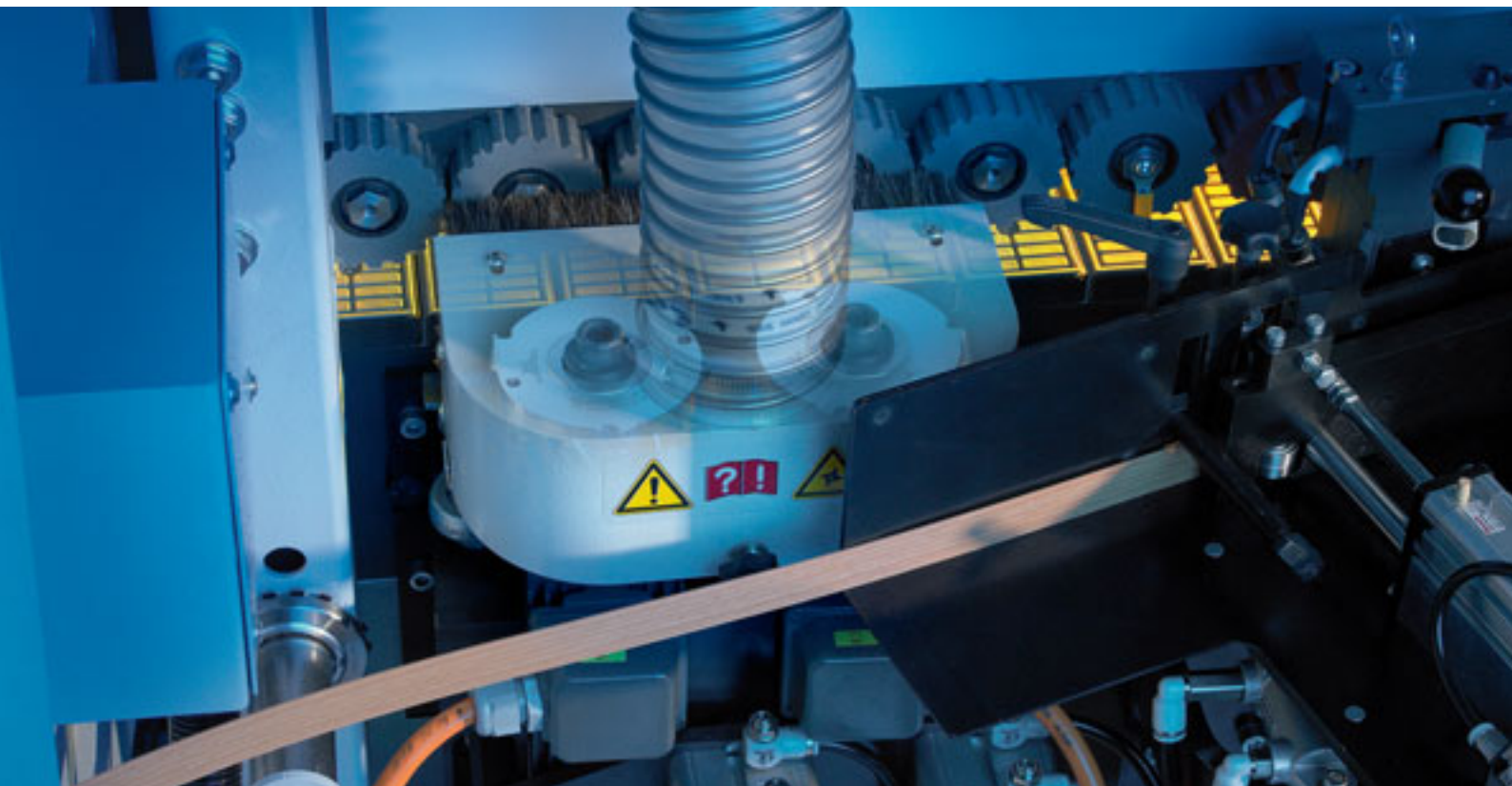


# Edge banding machines Ambition 1110 - 1120



# HOMAG Group

## Success through partnership

To survive in a fiercely competitive market, a company has to have fast, flexible and efficient production.

The HOMAG Group, with its sales and service network in over 90 countries around the world, offers you and your employees a strong partnership no matter where you are.

The HOMAG Group of companies cover all areas of woodworking and wood-processing.

Panel sizing, sawing, edge technology, transportation technology and handling systems are just a few of our specialties. We also offer solutions for drilling, coating technology, surface technology, plants for doors and doorframes, timber house

construction, sanding technology, automation systems, packaging equipment and software. We provide a complete and innovative range of products and services that are always the perfect solution for any requirement.

You, our customers, benefit from high precision, performance and cutting-edge technology.



Ambition 1110 F



optional

optional

# BRANDT

## Perfect edges for demanding customers

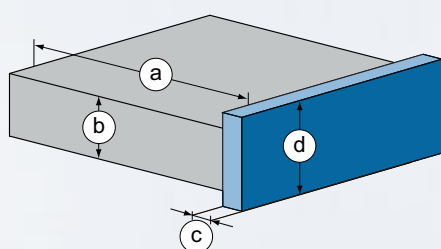
We offer our customers innovative and powerful edge banding machines. Efficiency and quality have the highest priority, and ensure long-term competitive advantages for you. With an annual production of over 2000 edge banding machines, we are the edge banding specialist in the HOMAG Group and the world leader in our market segment.

A high degree of standardization in combination with an advanced manufacturing process and more than 50 years of engineering experience ensure state of the art quality at a superb price-performance ratio. Our clear and structured product range is designed to meet the demands of current and future market trends.

All of our developments are focused toward practically-oriented and economic solutions that guarantee you the best possible production results.



Ambition 1120 FC



mm	Coil	Strips	Solid
a		min. 70	
b		8 - 40	
c		0,4 - 3	
d		45	

"Ideally prepared for your requirements"

# Ambition 1110 - 1120 FC. The Basic for success

**High flexibility and intuitive operation characterise the compact edge banding machines of the Ambition 1110s Series, which includes two machines, with and without joint trimming unit.**

All machines are equipped with a precision gluing unit and an automatic magazine. The magazine can be used for coiled and strip material. The two motor end-trimming-unit assures precise end trimming and perfect results. The trimming unit is easy to use and

allows a quick changeover to chamfer, straight and radius trimming. The Ambition 1120 C and Ambition 1120 FC also include a contour trimming unit, to guarantee a complete finish. The feed speed of these models are 8 m/min. Highlight of these machines is the finish-

ing area. It comes with two free spaces and offers therefore high flexibility. Three different units are available (profile scraping, glue joint scraping and buffing), which can be put in different combinations to the free spaces.

## Infeed fence

Adjustable, for the exact adjustment of the joint trim value.

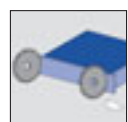
## Joint trimming unit (Ambition 1110 F)

Perfect cut for an optimum edge joint quality.



## End-trim unit

Precise end-cut through a strong end-trimming unit, equipped with THK guides.



## Trimming unit

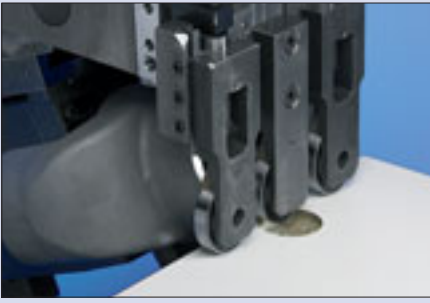
Trimming unit with DFC tool technology for optimum dust extraction.



## Corner rounding unit FF 10

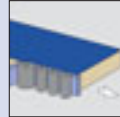
Optimum corner rounding without adjustment or set-up, resulting from the coupled diamond tool and tracer roller. Workpiece thickness up to 40 mm.





**Nesting package (optional)**

Includes a multi-roller tracing device for the trimming and scraping units to compensate for hinge holes.



**Automatic fixed length magazine**

For coiled material and fixed lengths up to 3 mm thickness.

**Pressure zone**

Pressure zone up to 3 mm edge thickness and 40 mm workpiece height for an optimal glue joint



**Profile scraping unit (optional)**

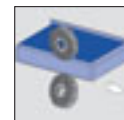
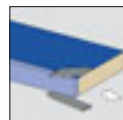
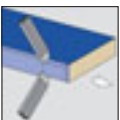
Unit to smooth radii or chamfers, equipped with quick change heads for fast profile change.

**Glue joint scraping unit (optional)**

For the perfect finish.

**Buffing unit (optional)**

Buffing unit to polish edges and maintain their natural colour.



# easyControl EC 10+ – Quality and precision with the touch of a button

Through targeted and constant development of controller technology, simple operation and a high operating comfort are guaranteed. At BRANDT we focus on you as our customer and your finished product.



- High operating convenience through simple menu format and optimized linepoint adjustment.
- Fast access to all unit functions through dedicated control buttons.
- Quick change over to different edge banding material through user-defined programs.
- Easy to read large 4-line operating display
- Clear text error diagnostics provide high operating convenience



## easyTouch – Gentle touch – big results

The easyTouch control system (option) represents a new generation of control systems.

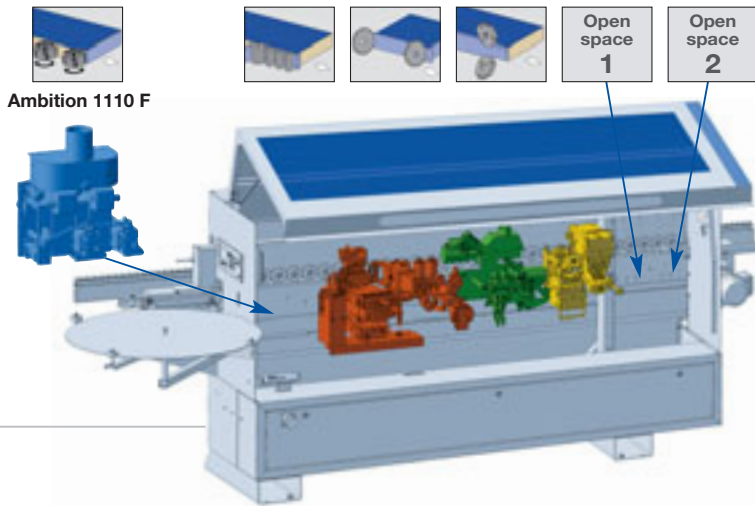
A simple touch guarantees quick navigation combined with a high degree of operator comfort.

- A clear 7" graphic display for optimal control by directly touching the control panel.
- 20 storable programs provide the necessary flexibility for a wide variety of edge materials and ever-changing customers' demands.
- Machine operation status by means of onscreen display.
- Easy workstation access by control keys.
- Intuitive, user oriented navigation.
- Clearly readable presentation of all assisting functions, such as glue temperature, or error diagnosis.

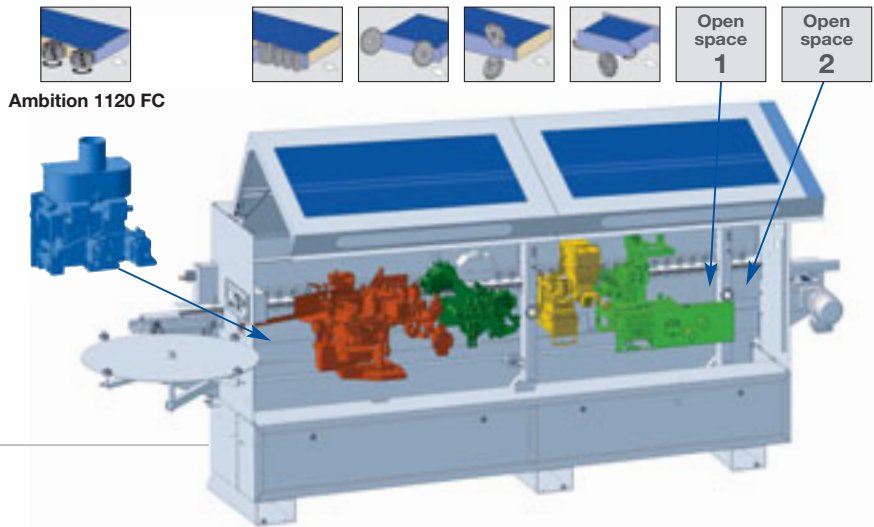
Betriebsdatenerfassung		1.2mm ABS	
Stunden Gesamt	h	1374:00:00	X
Werkstücke Gesamt	Stk	48842	
Kantenlänge Gesamt	m	204621	
Stunden	h	0:45:00	Reset
Werkstücke	Stk	200	Reset
Kantenlänge	m	220:00	Reset

Exact compilation of production data for each job.





**Ambition 1110**  
**Ambition 1110 F**



**Ambition 1120 C**  
**Ambition 1120 FC**

## 2 open spaces for your flexibility



**Profile scraping unit**



**Glue joint scraping unit**

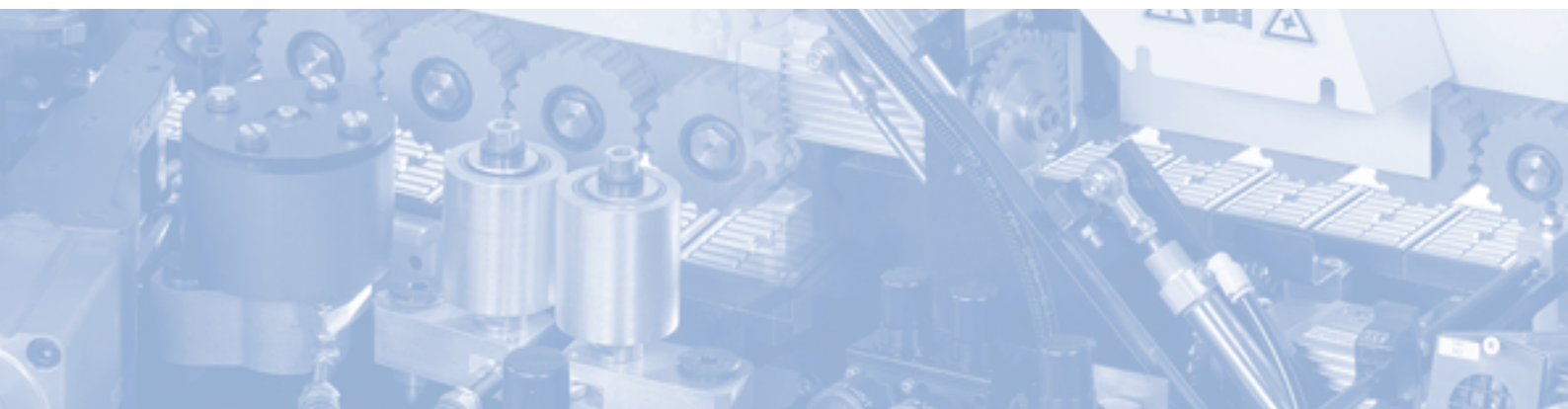


**Buffing unit**

Both open spaces can be free equipped in the post processing area. Profile scraping unit, glue joint scraping unit and buffing unit can be mounted in various combinations on these open spaces.

Technical Data	Ambition 1110	Ambition 1110 F	Ambition 1120 C	Ambition 1120 FC
<b>Machine dimensions</b>				
Machine length (mm)	3672	3672	4270	4270
Working height (mm)	950			
Machine dimensions WxH (mm)	1454 x 1982	1454 x 1982	1454 x 2075	1454 x 2075
<b>Working dimensions</b>				
Workpiece thickness (mm)	8 - 40			
Edge material thickness (mm)	0,4 - 3,0			
<b>Miscellaneous</b>				
Feed speed (m/min)	8			
Weight (kg)	700	750	900	950
Connected value (kW)	3,7	5,6	4,3	6,2
Extraction diameter (mm)	3x80 / (1x100 opt.)	4x80 / (1x100 opt.)	3x80 / (1x100 opt.)	4x80 / (1x100 opt.)
Electrics	400 V - 3 Ph. - 50 Hz.			
Pneumatics (bar)	6			

All rights for technical changes withheld. Individual machine pictures may show options.



A member of the Homag Group of Companies



**BRANDT Kantentechnik GmbH**

Weststraße 2  
32657 Lemgo  
Germany

Tel. +49 5261 974-0

Fax +49 5261 6486

info@brandt.de

<http://www.brandt.de>