



Edge banding machines Ambition 1200 - 1230



A member of the Homag Group of Companies



BRANDT Kantentechnik GmbH
Weststraße 2
32657 Lemgo
Germany
Tel. +49 5261/974-0
Fax +49 5261/6486
info@brandt.de
<http://www.brandt.de>

HOMAG Group

Success through partnership

To survive in a fiercely competitive market, a company has to have fast, flexible and efficient production. The HOMAG Group, with its sales and service network in over 90 countries around the world, offers you and your employees a strong partnership no matter where you are.

The HOMAG Group of companies cover all areas of woodworking and wood-processing. Panel sizing, sawing, edge technology, transportation technology and handling systems are just a few of our specialties. We also offer solutions for drilling, coating technology, surface technology, plants for doors and doorframes, timber house

construction, sanding technology, automation systems, packaging equipment and software. We provide a complete and innovative range of products and services that are always the perfect solution for any requirement. You, our customers, benefit from high precision, performance and cutting-edge technology.



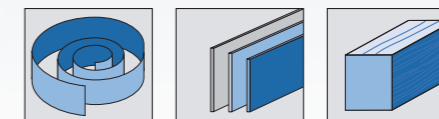
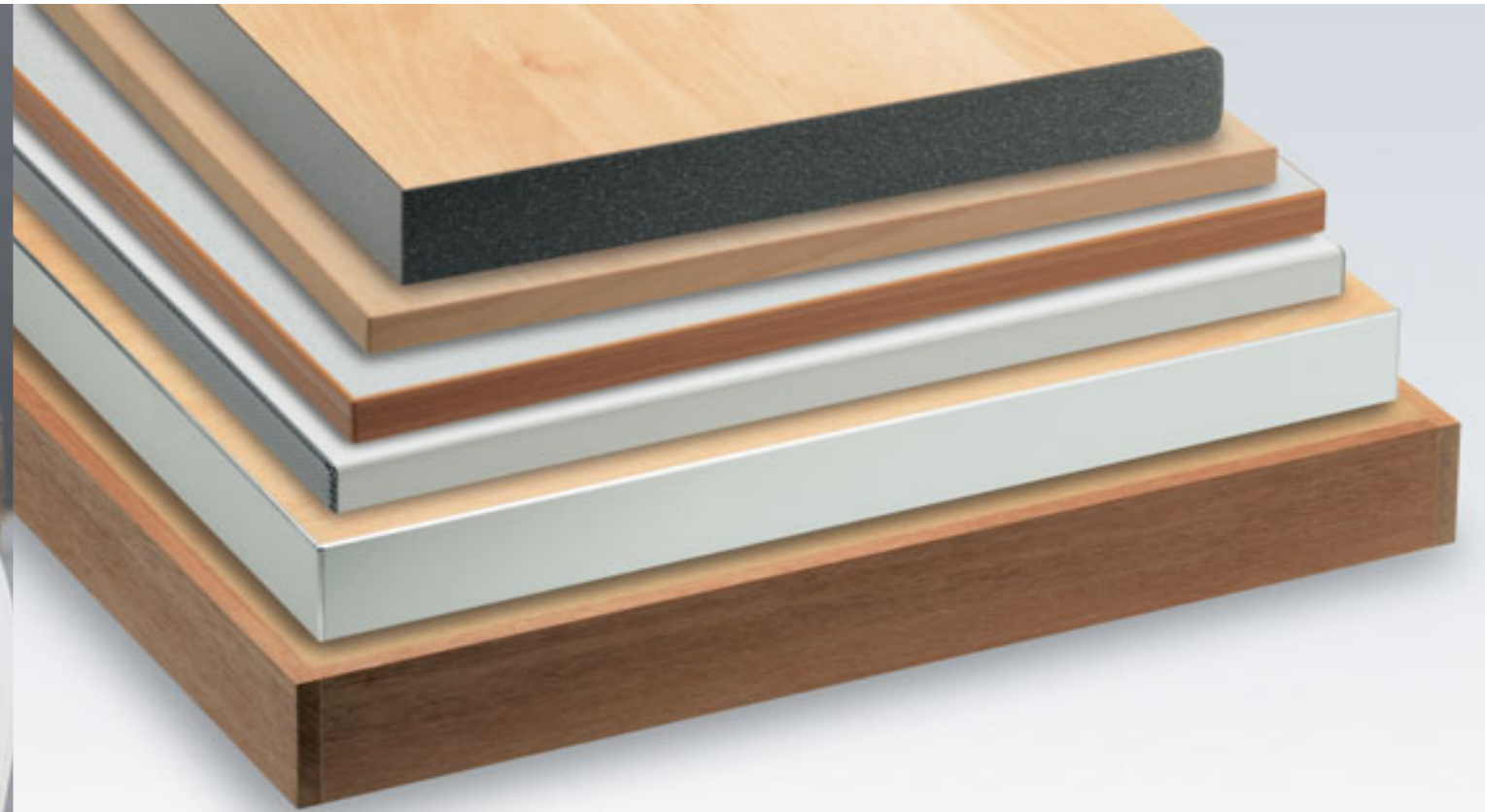
BRANDT

Perfect edges for demanding customers

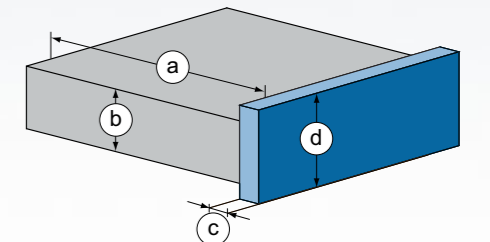
We offer our customers innovative and powerful edge banding machines. Efficiency and quality have the highest priority, and ensure long-term competitive advantages for you. With an annual production of over 2000 edge banding machines, we are the edge banding specialist in the HOMAG Group and the world leader in our market segment.

A high degree of standardization in combination with an advanced manufacturing process and more than 50 years of engineering experience ensure state of the art quality at a superb price-performance ratio. Our clear and structured product range is designed to

meet the demands of current and future market trends. All of our developments are focused toward practically-oriented and economic solutions that guarantee you the best possible production results.



mm	Coil	Strips	Solid
a	min. 70		
b	8 - 50 (option 60)		
c	0,4 - 3 (option 6)		
d	55 (option 65)		



"With us, you and your products come first. A promise that you can count on!"

"Ideally prepared for your requirements"

Ambition 1200 - 1230 FC

Small machines to help you grow

The focus for the development of the Ambition 1200 Series was to offer a complete processing solution in the entry level segment, with features which were previously only available on larger machines.

All machines are equipped with a precision gluing unit, a tiltable end trimming unit for straight and chamfer trimming and a top/bottom trimming unit. The feed speed of these models are 11 m/min.

For the complete processing options and a perfect finish, add a joint trimming unit, a contour trimming unit, a radius scraper, a glue joint scraper or a buffing unit.

The right solution for your requirements

The Ambition 1200 series machine leaves nothing lacking. Whether your needs are "batch size one" production, for demanding bespoke shop fitting applications, living & bedroom furniture or functional office furniture, the Ambition 1200 Series always offers the right solution for your requirements.



Ambition 1220 FC

Optimal preparation for a perfect result



Contact heating shoe

As standard, all machines of the 1200 series are equipped with a contact heating shoe that – optionally activated – transfers contact heat into the board edge directly prior to the glue application to the workpiece edge, this notably optimising the gluing quality, especially with difficult edging materials or at very low ambient temperatures.

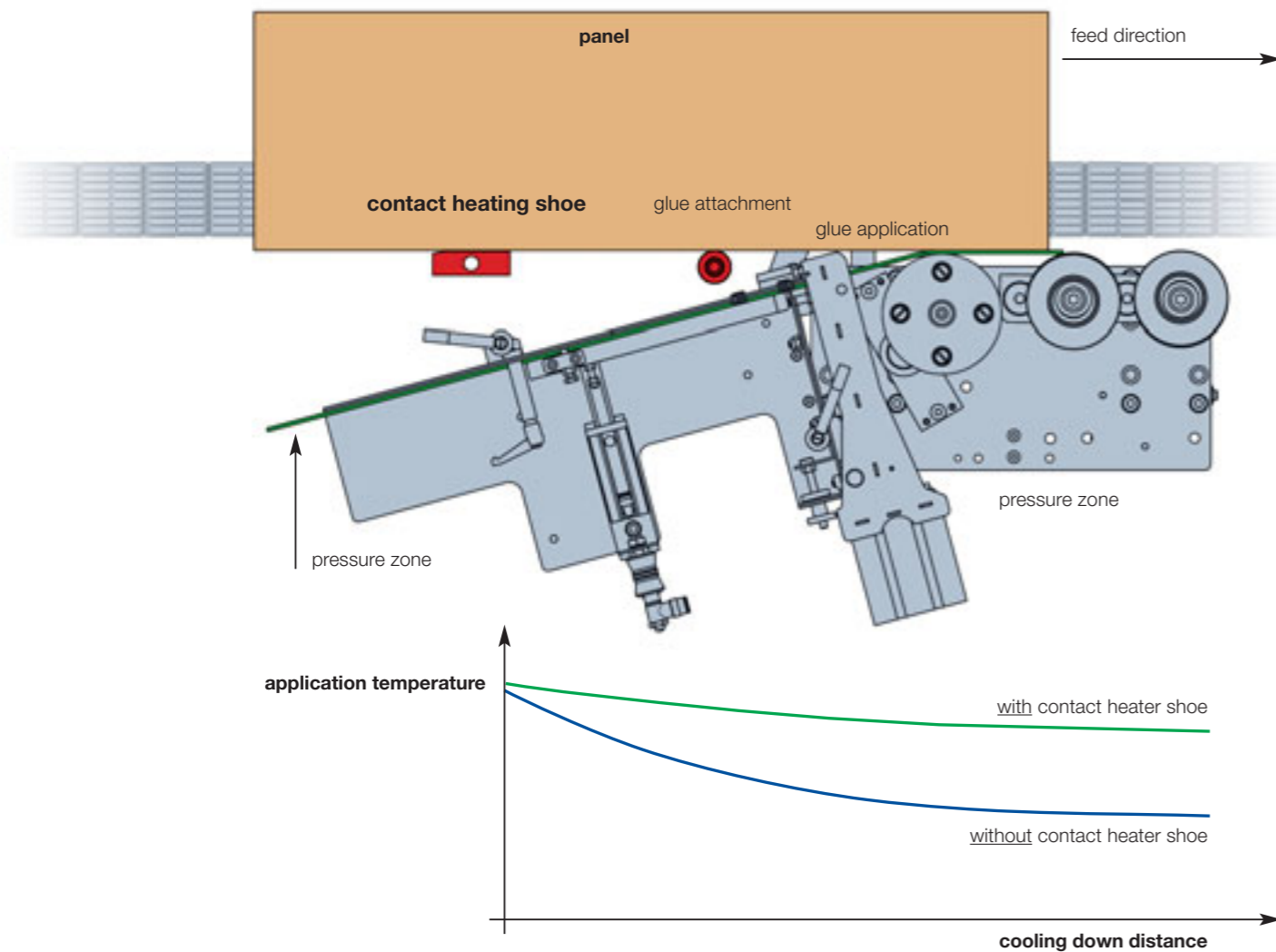
The controller – Quality and precision with the touch of a button

Through targeted and constant development of controller technology, simple operation and a high operating comfort are guaranteed. At BRANDT we focus on you as our customer and your finished product.



easyControl EC 10+, offering every "plus" for the customer

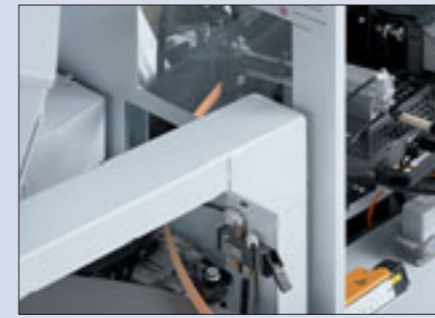
- + High operating convenience through simple menu format and optimized linepoint adjustment.
- + Fast access to all unit functions through dedicated control buttons.
- + Quick change over to different edge banding material through user-defined programs.
- + Easy to read large 4-line operating display
- + Clear text error diagnostics provide high operating convenience



Significant competitive advantages – Pace setting performance and quality



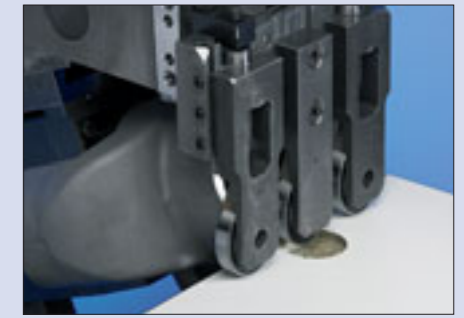
Spraying unit (optional)
Separation and detergent agents for a perfect finish when processing PU-glue.



Automatic edge infeed device (optional)
Automatic edge infeed device for fast change over between different coiled materials.



Central lubrication unit (optional)
To lubricate the feed track guidance system to guarantee precision and a long life of the conveyor chain.



Nesting package (optional)
Includes a multi-roller tracing device for the trimming and scraping units to compensate for hinge holes.



Joint trimming unit
Perfect cut and high operating life due to diamond tipped tools for an optimum edge joint quality.

Counter pressure device
Counter pressure device magazine for sensitive edges.

Gluing unit and magazine
Coil and automatic strip magazine for a reliable edge material supply. Optimal glue joints, by controlling the exact amount of glue.



Pressure zone
Heavy pressure zone up to 3 mm edge thickness and 50 mm workpiece height for an optimal glue joint (optional 6 mm edge thickness by 60 mm workpiece height).



End-trim unit
Precise end-cut through a strong end-trimming unit, equipped with THK guides. Chamfer/straight adjustment by easily tilting the unit. (Pneumatic adjustment optional)



Trimming unit
Trimming unit with DFC tool technology for optimum dust extraction.

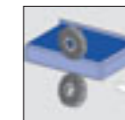
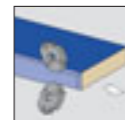
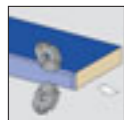
Trimming unit with pneumatic 3-point adjustment (optional)
For even more effective production and much shorter changeover time.

Corner rounding unit FF 10
Optimum corner rounding without adjustment or set-up, resulting from the coupled diamond tool and tracer roller. Workpiece thickness up to 40 mm (optional 60 mm - Ambition 1230 FC).

Profile scraping unit
Unit to smooth radii or chamfers, equipped with quick change heads for fast profile change (Pneumatic adjustment optional).

Glue joint scraping unit (optional)
For the perfect finish.

Buffing unit
Buffing unit to polish edges and maintain their natural colour.



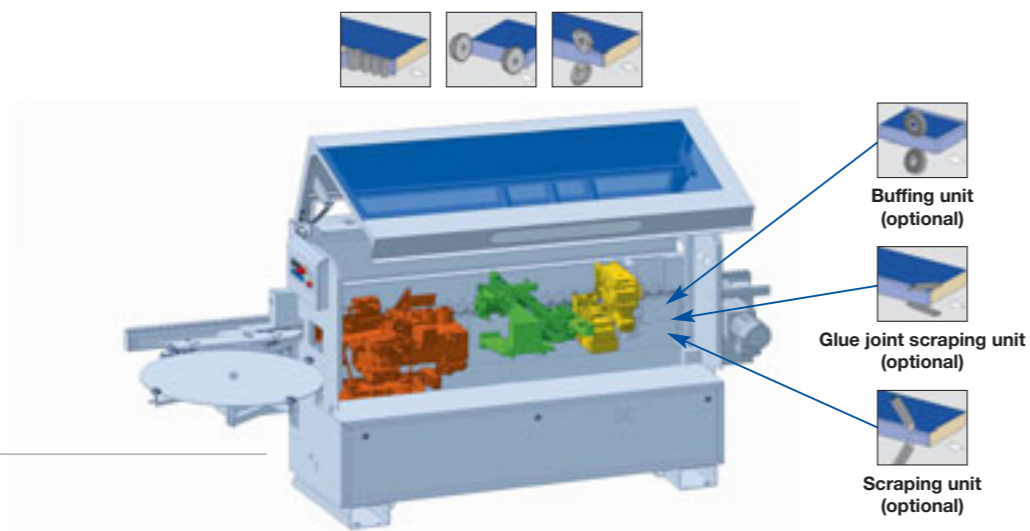
Technical Data

Type of machine	Ambition 1200	Ambition 1210	Ambition 1210 F
Machine dimensions			
Machine length (mm)	3453	3445	3653
Working height (mm)	950		
Machine dimensions WxH (mm)	1525 x 2182		
Working dimensions			
Workpiece thickness (mm)	8 - 50 (optional 60 mm in combination with 6 mm edge thickness)		
Edge material thickness (mm)	0,4 - 3 (optional 6 mm)		
Miscellaneous			
Feed speed (m/min)	11		
Weight (kg)	850	910	1080
Connected value (kW)	4,5	4,8	9,3
Extraction diameter (mm)	3x80	3x80/1x100	1x120/3x80/1x100
Electrics	400 V - 3 PH - 50 Hz		
Pneumatics (bar)	6		

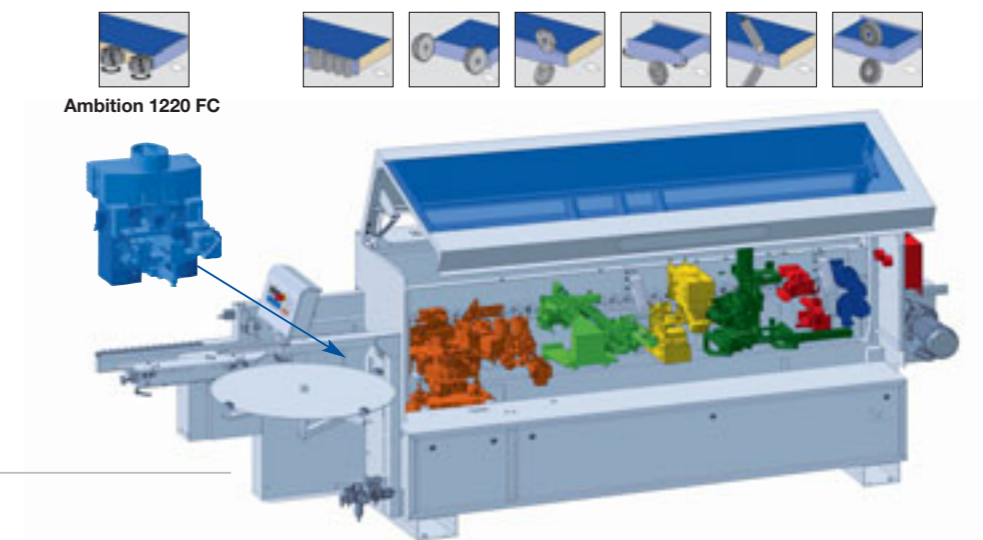
Type of machine	Ambition 1220 C	Ambition 1220 FC	Ambition 1230 FC
Machine dimensions			
Machine length (mm)	4153	4153	4773
Working height (mm)	950		
Machine dimensions WxH (mm)	1525 x 2182	1525 x 2182	1575 x 2182
Working dimensions			
Workpiece thickness (mm)	8 - 50 (optional 60 mm in combination with 6 mm edge thickness)		
Edge material thickness (mm)	0,4 - 3 (optional 6 mm)		
Miscellaneous			
Feed speed (m/min)	11		
Weight (kg)	1240	1290	1500
Connected value (kW)	5,4	9,8	9,8
Extraction diameter (mm)	3x80/1x100	1x120/3x80/1x100	1x120/3x80/1x100
Electrics	400 V - 3 PH - 50 Hz		
Pneumatics (bar)	6		

All rights for technical changes withheld. Individual machine pictures may show options.

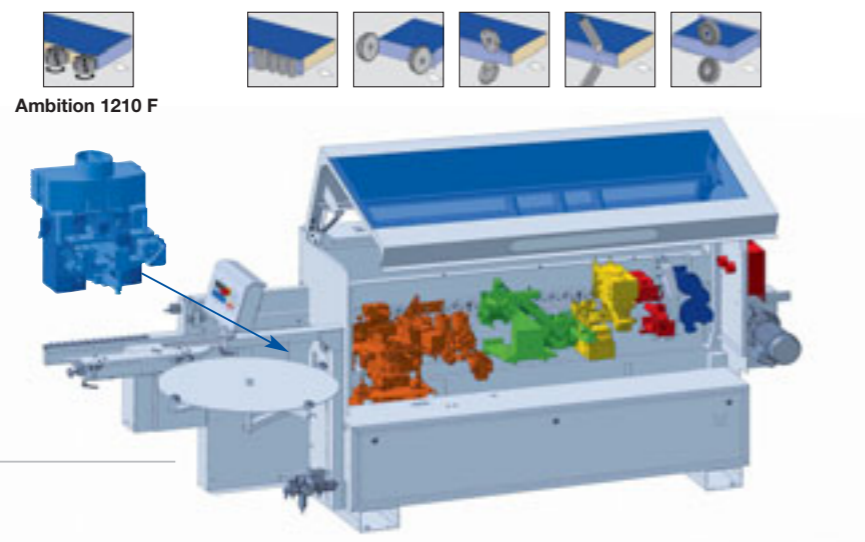
Ambition 1200



Ambition 1220 C
Ambition 1220 FC



Ambition 1210
Ambition 1210 F



Ambition 1230 FC

