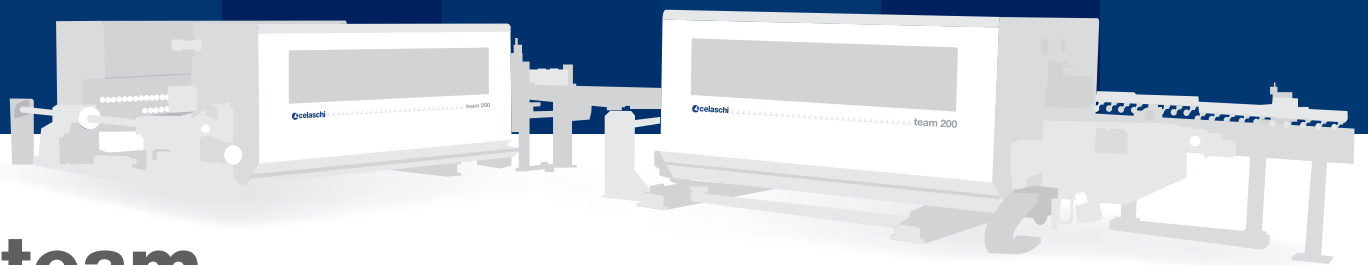


 **celaschi**



team

longitudinal and transversal profiling machine
for parquet flooring and coating.

team

longitudinal and transversal profiling machine

for parquet flooring and coating

Solutions and integrated systems for any type of parquet flooring and coating.

- **POSSIBILITY TO PRODUCE PARQUET OF ANY MATERIAL AND JOINT**
- **CUSTOMIZED PRODUCTION CAPACITY; WIDE VARIABILITY IN PIECES SIZES**
- **HIGH FLEXIBILITY**

planing.

pressing.

calibrating/sanding.

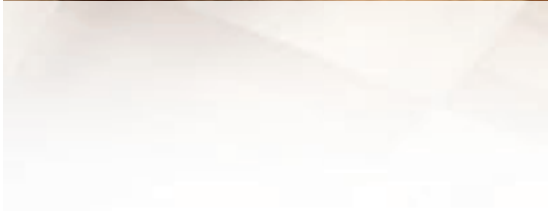
painting.

profiling/tenoning.

automation.

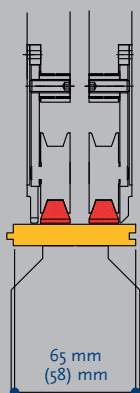
packaging.





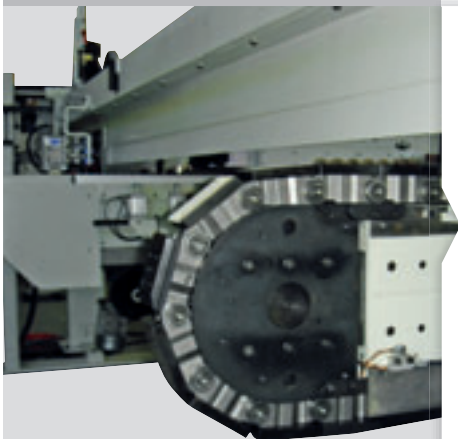
team

technological advantages



“ALL SYSTEM” TRANSPORT SYSTEM

Possibility to process solid wood parquet, 2-3 layer parquet flooring also coated with melamine, ceramic, linoleum, LVT, PVC and cork. Possibility to realize T&G profiles, click G5 profiles and more.



“TOPSPEED” CHAIN

Production outputs from 30 to 170 pieces/min. Possibility to process pieces having variable width from 58 mm up to 300 mm and more and length from 300 mm to 6000 mm.



“FLOOR SET-UP” QUICK PROFILE CHANGE DEVICE

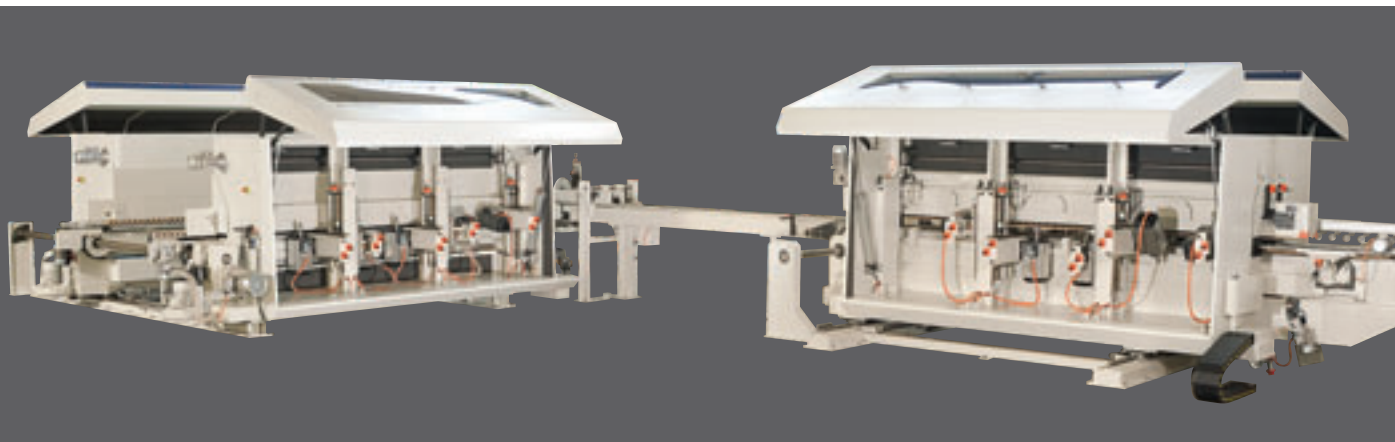
Customized composition according to processing, possibility to execute the profile change in a few minutes (“Floor Set-Up” Celaschi patent), technology to ensure high accuracy and repeatability over time.



team

laminare flooring

great performances to grant quality, productivity and reliability

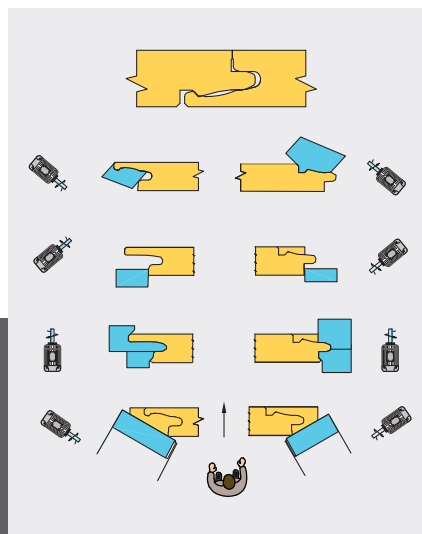
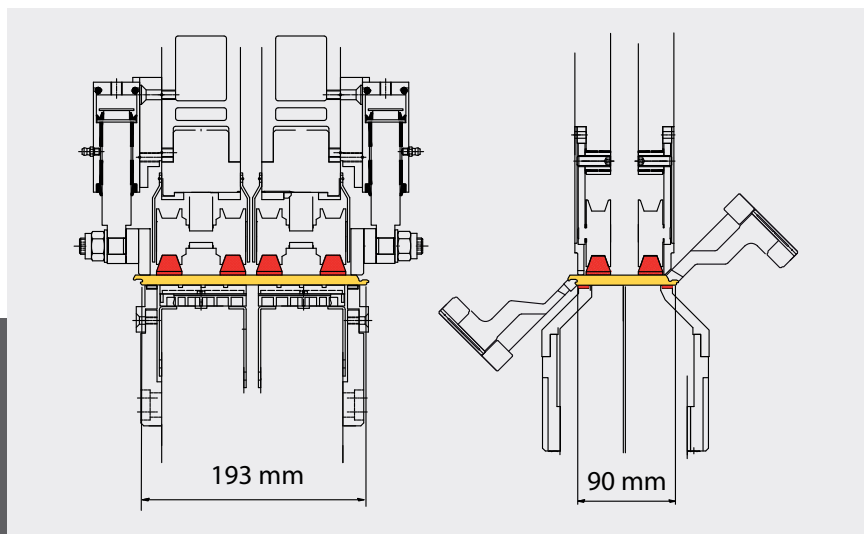


Example of parquet with joint type "Click G5"

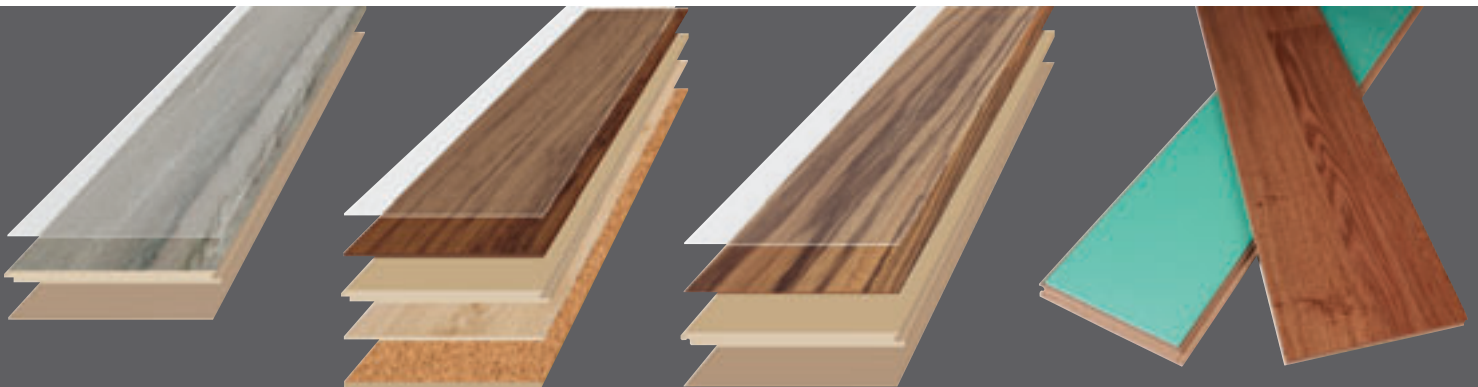
For laminate flooring specific requirements, it is possible:

- realize machine compositions with more than 10 positions
- reach feed speed up to 250 m/min.
- execute the profile changing in a few minutes (Celaschi patent)

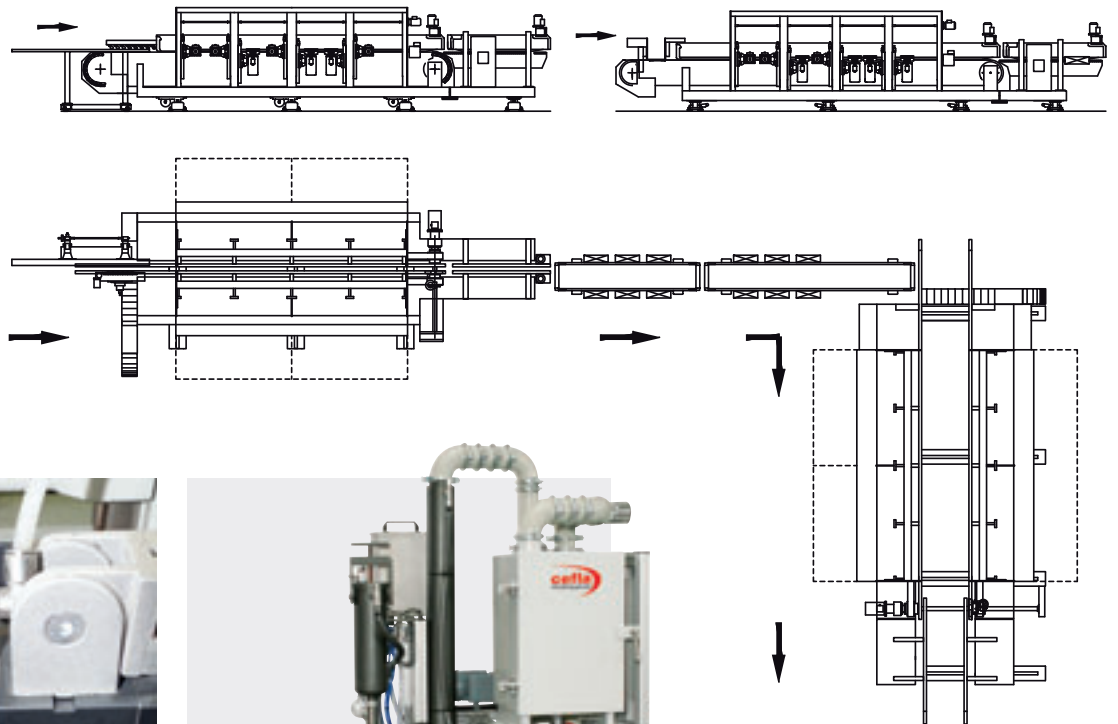
All maintenance operations are simple and fast.



Chain tracks scheme for planks minimum width



Example of longitudinal and transversal profiling machine composition



Dimensional control systems of the workpiece with detection of the defects.

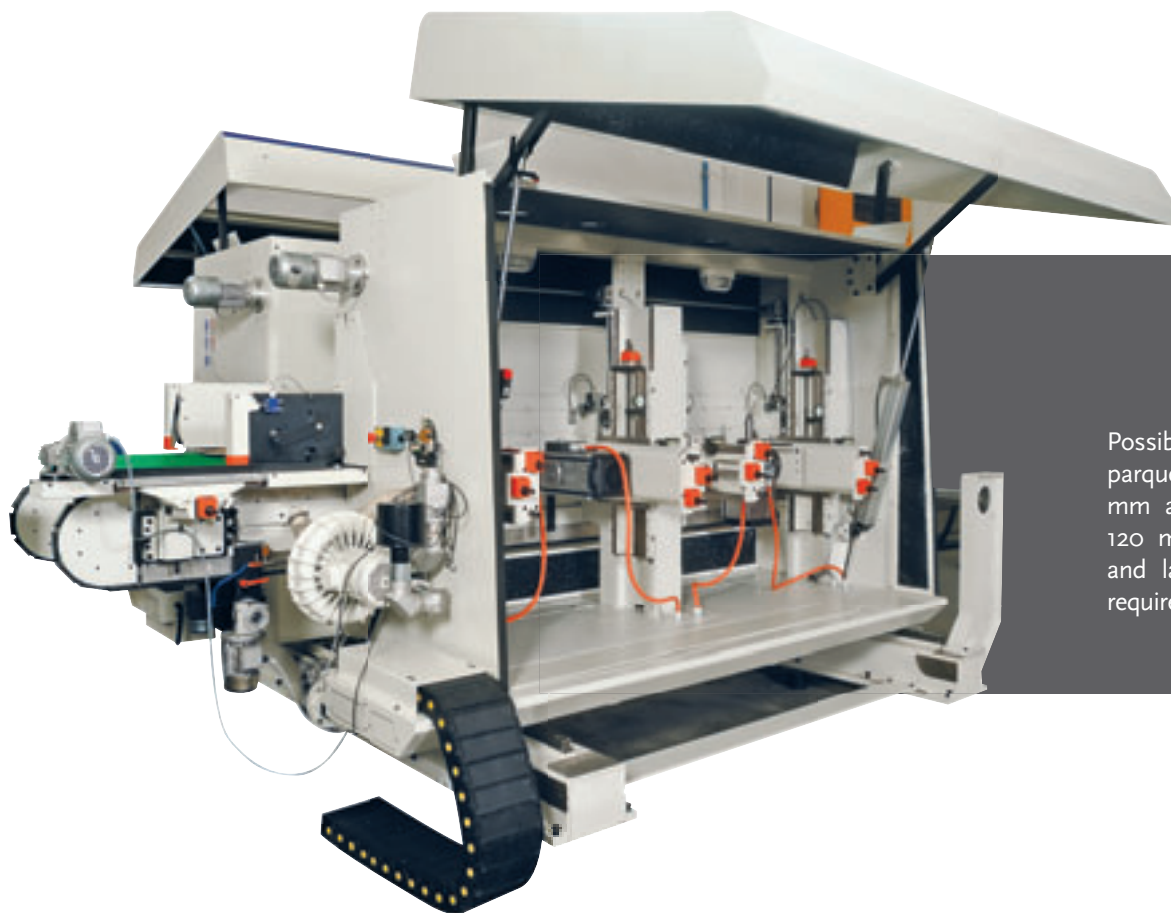


Painting units of the edges (bevels) with vacuum solution and primer application units on the edges by means of water-repellent liquid in order to waterproof the surface from the moisture.

team

2 and 3 layers parquet

flexibility and tailored solutions

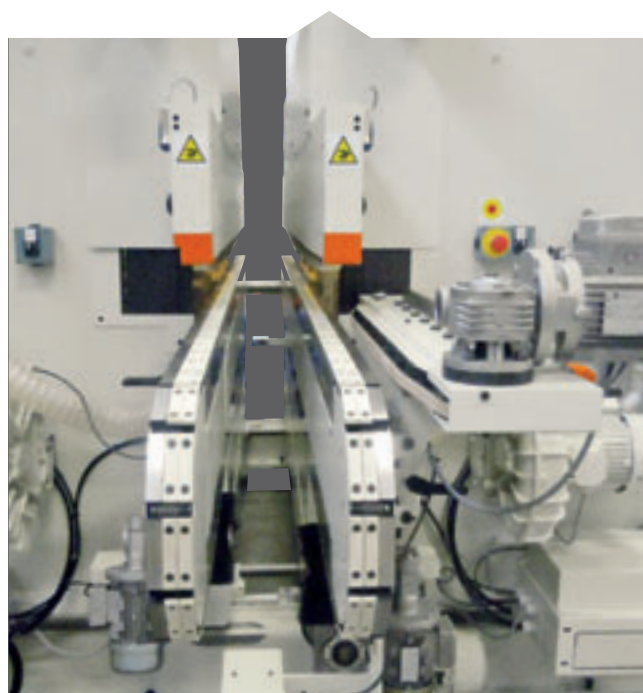


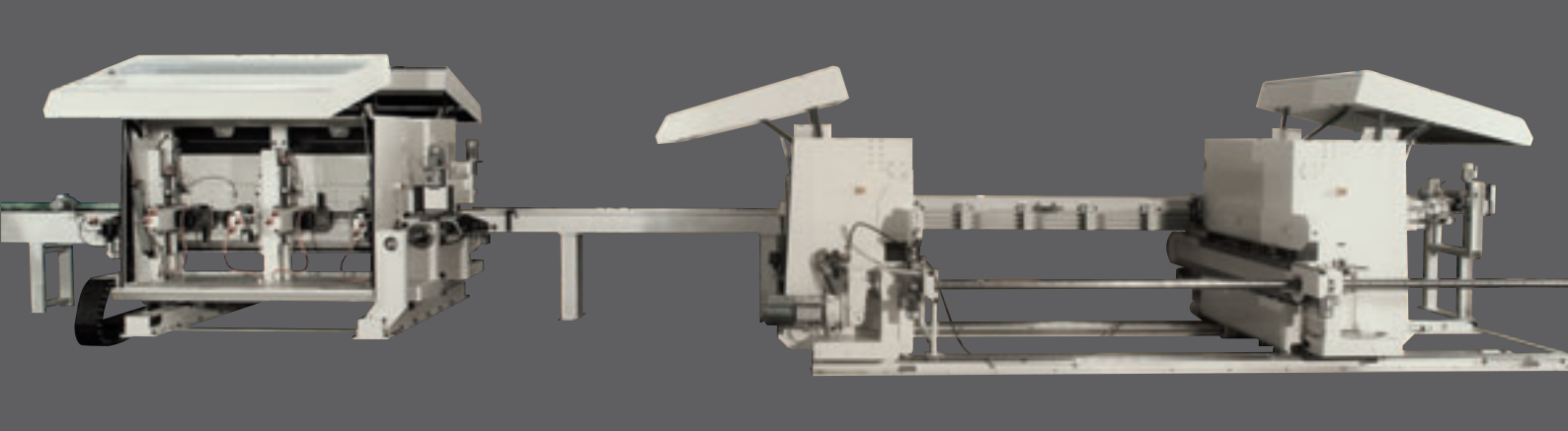
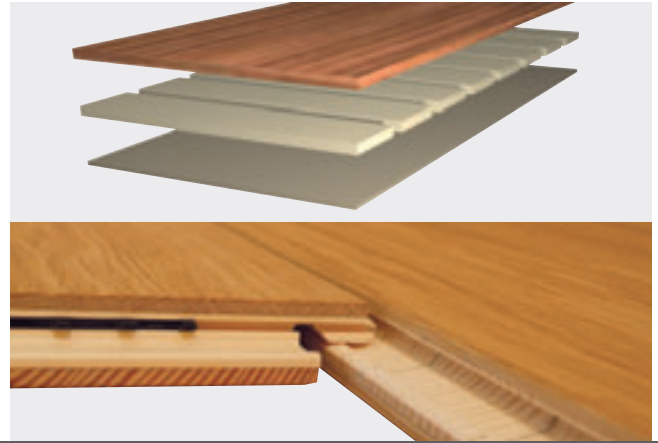
Possibility to realize small size parquet tiles up to 58x300 mm and feed speed up to 120 m / min. Composition and layouts tailored to any requirements.

Transport system on the longitudinal profiler allowing the processing of pieces having a minimum width up to 58 mm.



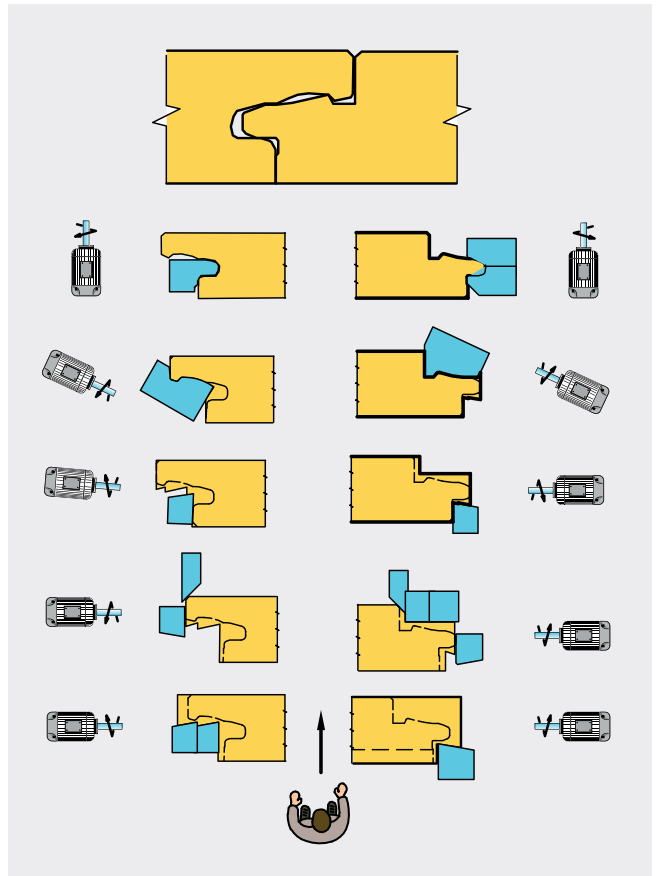
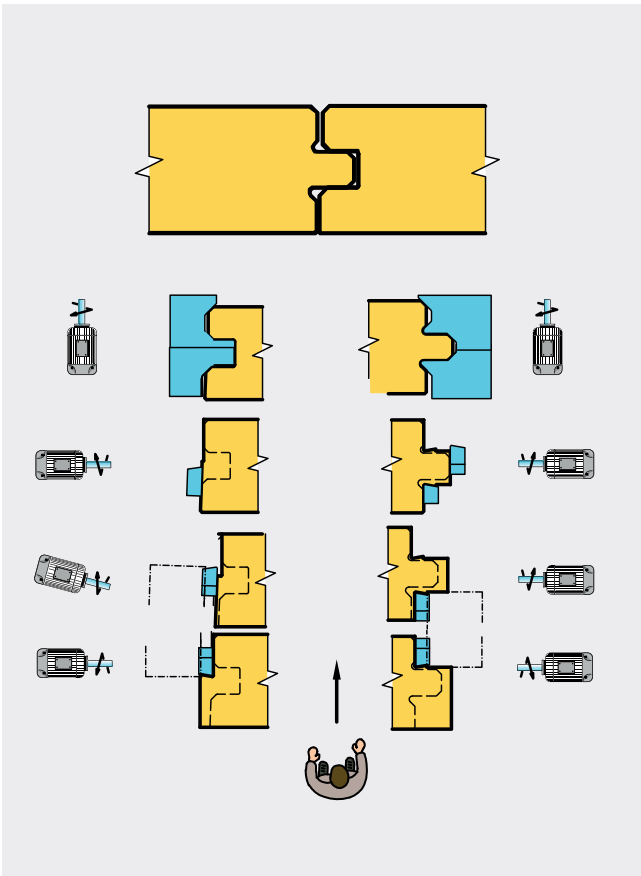
HD operating units to ensure accuracy and finishing optimal;
- continuously variable speed from 6.000÷9.000 rpm.





Example of T&G joint by means of 4 operating units.

Example of Click joint by means of 5 operating units.



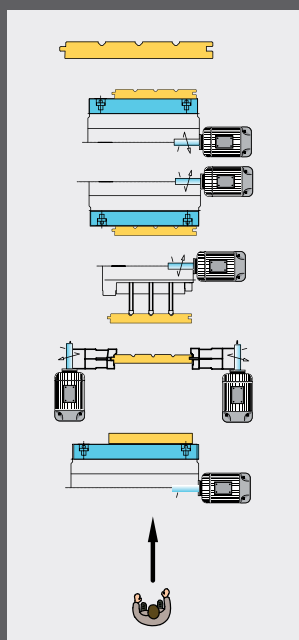
team

solid wood parquet

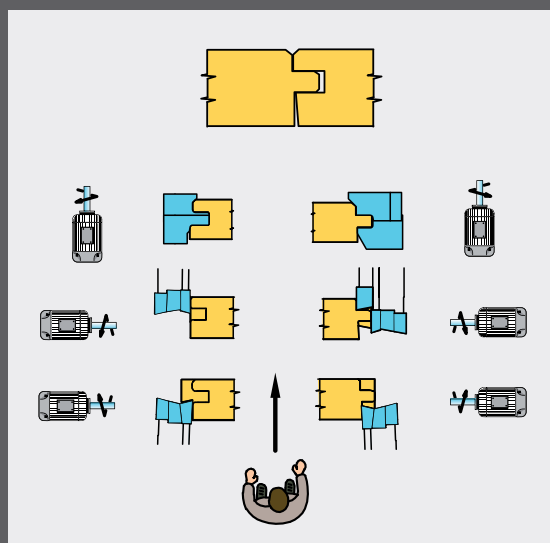
the most simple and cheap solution to produce solid wood parquet

Possibility to realize solid wood parquet in sequence having different lengths one from the other "Random".

Productive capacity up to 40 pieces/min.
Composition and layout tailored to any needs.



PROFILING MACHINE

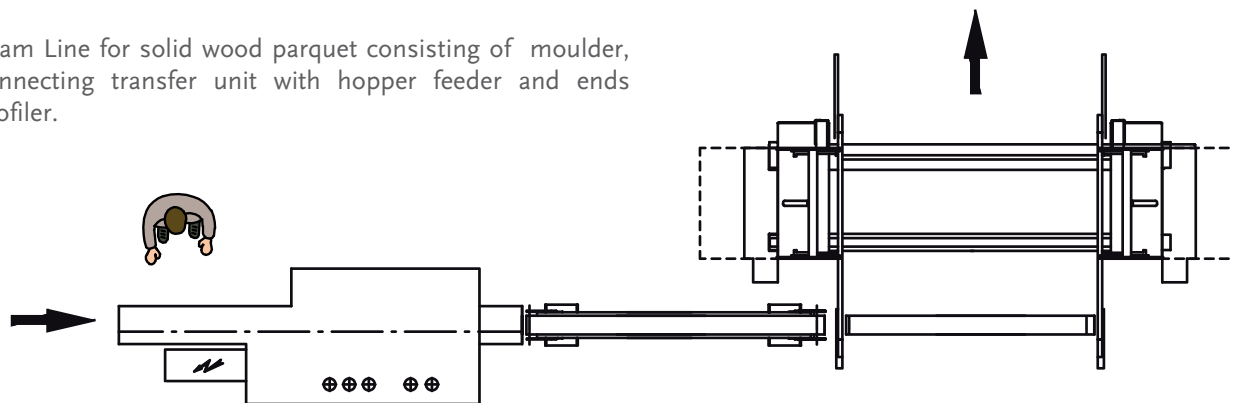


TENONING MACHINE



Example of T&G joint by means of 3 operating units.

Team Line for solid wood parquet consisting of moulder, connecting transfer unit with hopper feeder and ends profiler.



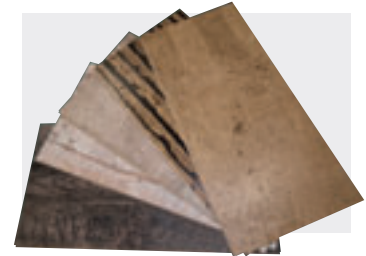
LVT (luxury vinyl tile) parquet:

Single-material	thickness approx. 5 mm
Sizes	400x400 - 600x600 - 250x1500 mm
Application fields	offices - communities
Joint systems	click



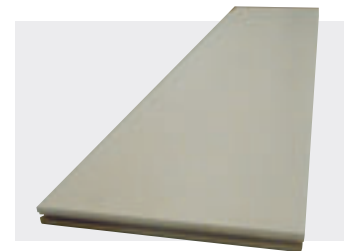
CORK PARQUET

Top coating	natural cork sheet
Core	MDF
Bottom coating	cork sheet
Sizes	400x400 - 600x600 - 300x900x1300 mm
Application fields	houses - offices - communities
Joint systems	T&G – Click



CERAMIC PARQUET

Top layer	ceramic sheet
Core	MDF - plastic material
Sizes	not standardized
Application fields	interior - exterior - furniture - ship building
Joint systems	coupled - T&G - G&G with core



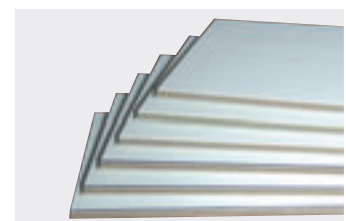
RAISED FLOORS

Top layer	wood - moquette - linoleum - marble - ceramic
Core	particle board - aggregates - mixture
Bottom coating	aluminium sheet – plastic laminate
Sizes	standard 600x600 - 600x1200 mm
Application fields	offices - inside/outside flooring
Joint systems	coupled



WALL COATING

Top coating	structured melamine
Core	MDF - particle board
Bottom coating	balancing melamine - double face
Sizes	195x1300 mm
Application fields	offices - communities
Joint systems	click

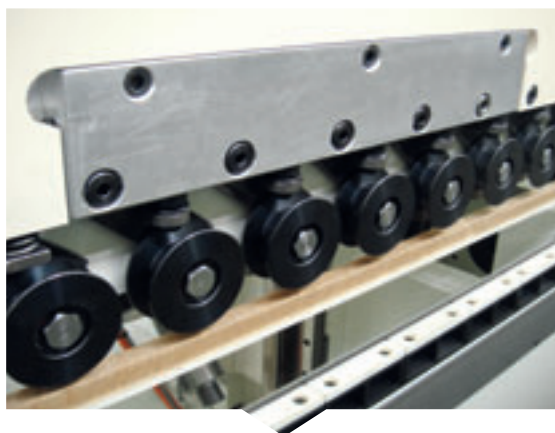


team

standard equipment



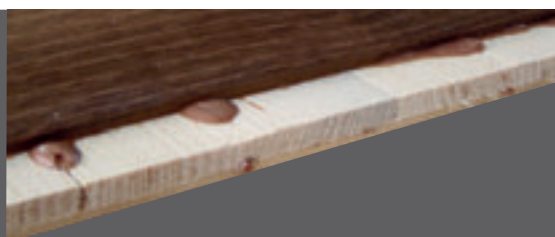
The structure consists of a single-piece in steel designed and manufactured with the latest technological systems ensuring accuracy, reliability and high-quality finish. The displacement of the mobile beam is carried out by means of self-lubricated prismatic guide-ways to allow a precise and quick movement.



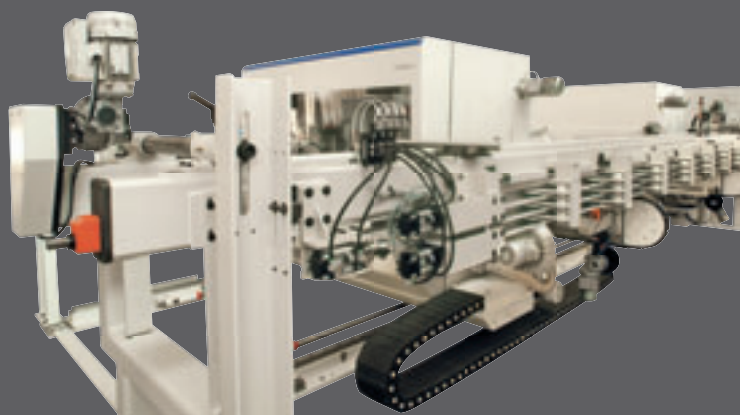
The top pressure beams ensure a perfect holding of the piece regardless of the profile, size and production rate.

team

options



Glue removing device for 2-3 layer parquet to allow a perfect support of the lamella on the reference guide.



Automatic feeding without contact for planks with delicate surface by means of hopper feeding device fitted on the transversal profiler.

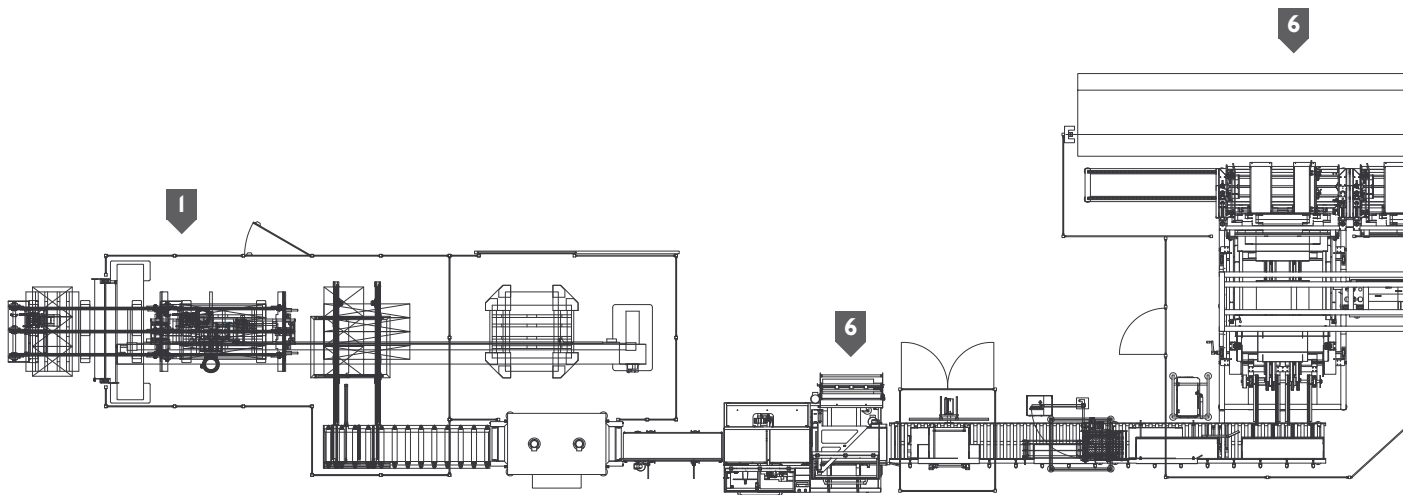
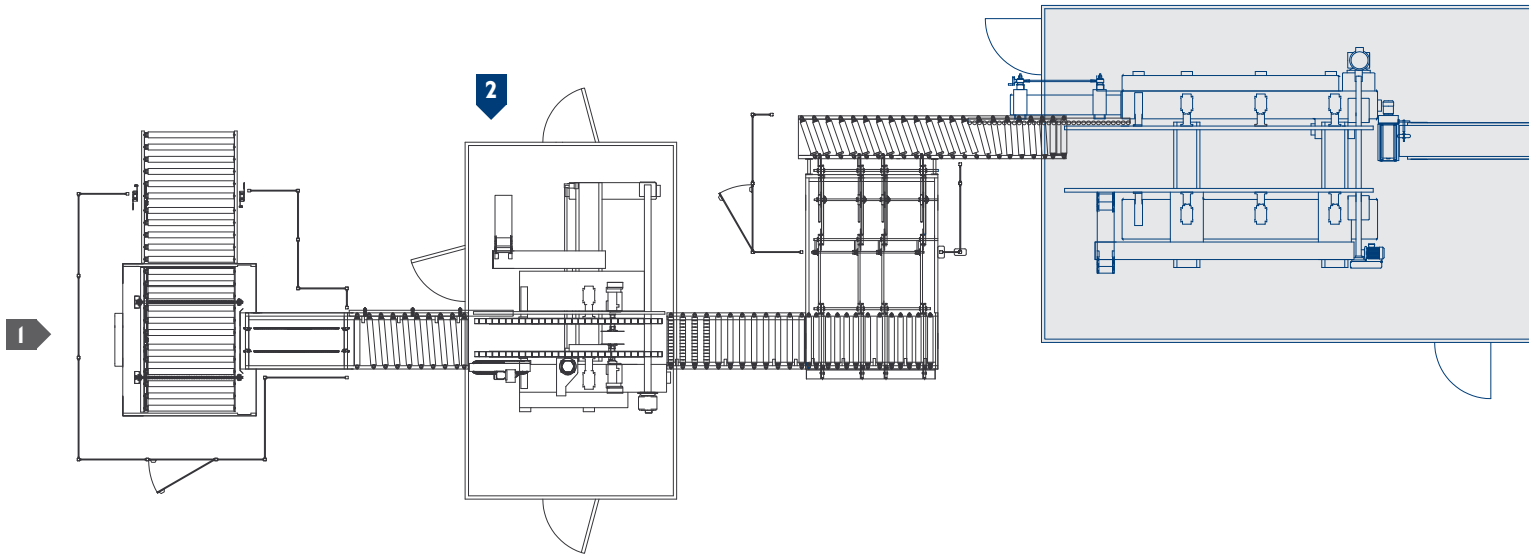


team

parquet process

the whole process is controlled
and made by **scmgroup**

SCM Group, an ideal partner for every need.
Solutions tailored to any type of product, productivity and
spaces. A global network able to provide expertise and after
sales services.



mahros
Automation

celaschi
Splitter

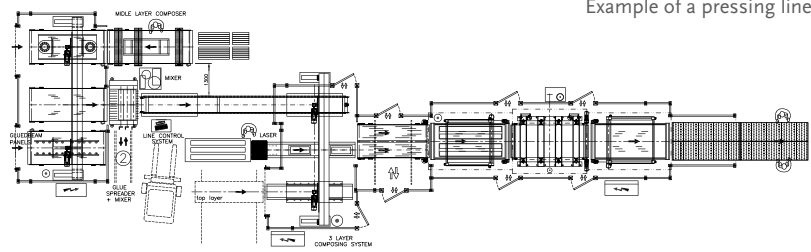
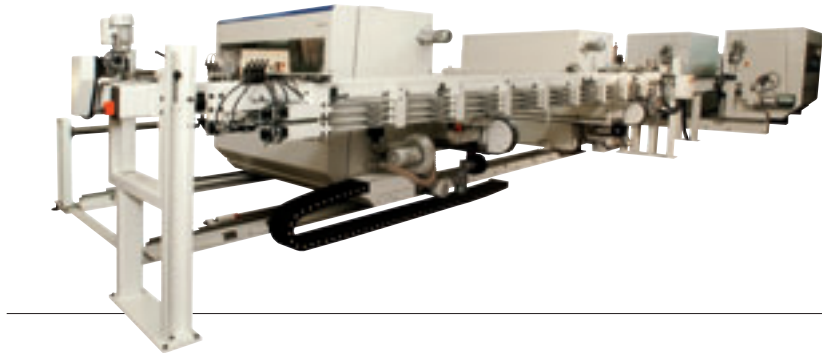
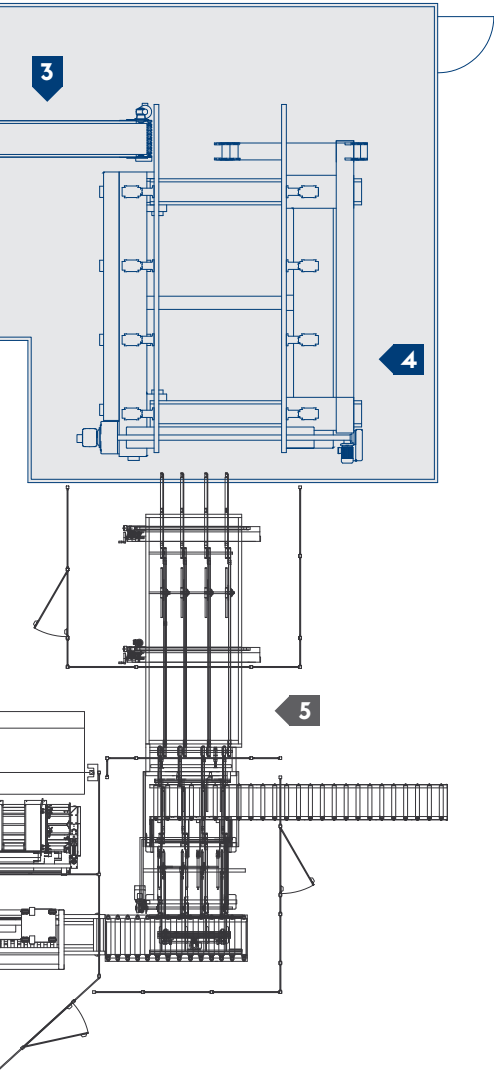
celaschi
Longitudinal profiling

celaschi
Transversal profiling

Quality control

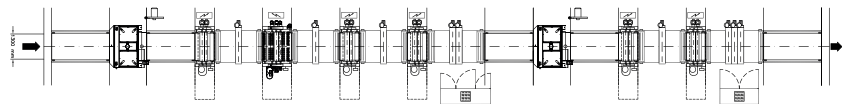
cpc
Packaging





Example of a pressing line

Example of a line of sanding and painting

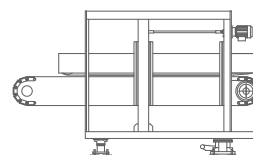


team

modularity

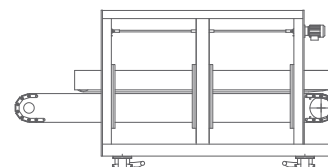
TEAM - base 3

- Solid wood parquet with T&G joint



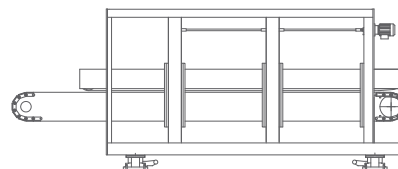
TEAM - base 4

- Solid wood parquet with T&G joint and independent bevel



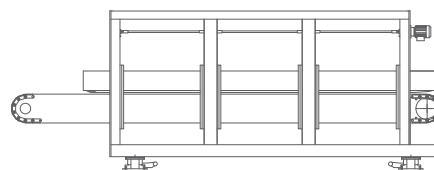
TEAM - base 5

- 2/3 layer parquet with T&G joint and independent bevel
- 2/3 layer parquet with Click joint



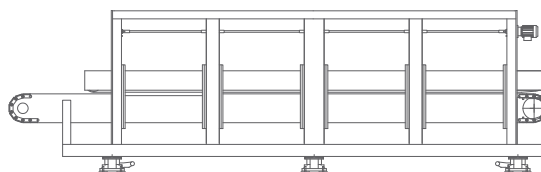
TEAM - base 6

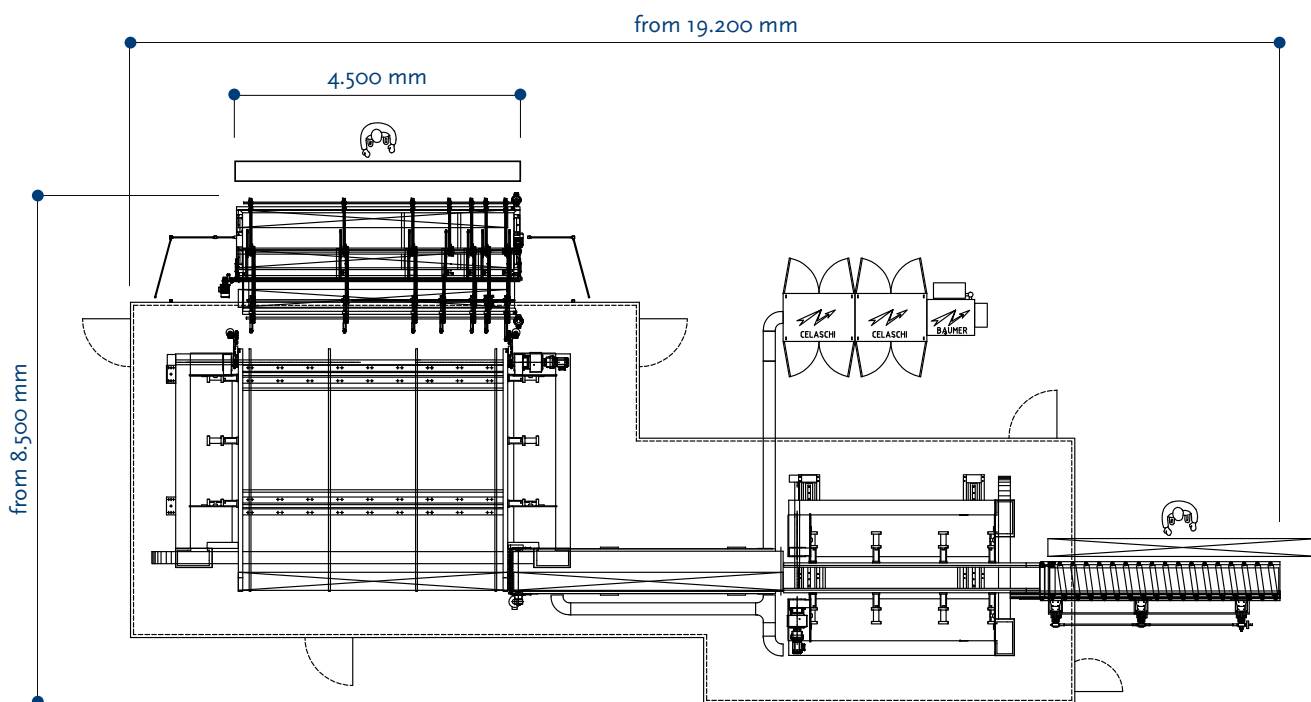
- 2/3 layer parquet with T&G joint
- 2/3 layer parquet with Click joint



TEAM - base 8

- Laminated flooring
- 2/3 layer parquet and quick change of the profile







VERSION		2 LAYER	3 LAYER	LAMINATED FLOORING
Min/max width of the piece	mm	65 (58) - 130	120 - 250 (350 - 450)	90 - 250
Min/max length of the piece	mm	300 - 2200	1200 ÷ 6000	600 - 3000
Min/max thickness of the piece	mm	10 - 35	10 - 35	6 - 15
Type of profile		std T&G - Click	std T&G - Click	std T&G - Click
Feed speed	m/min	up to 120	up to 120	up to 250
Rotation speed of the spindle	rpm	9000	9000	9000

- MAIN OPTIONS**
- Motor power up to 15 kW
 - Spindle motor also suitable for Hydro locking system
 - Precision gauge for the horizontal and vertical positioning of the motor
 - Electronic devices with digital display for the horizontal-vertical positioning of the motor
 - Glue removing machine
 - Extended belts at machine outfeed for sealing units

Special thanks to:
ALI • DECRUY • GERFLOR • KAINDL • INTEC • LAMINAM • LICO • MAFI • VÄLINGE

Technical specifications may vary according to the composition chosen. For demonstration purposes, several photographs show machines complete with accessories. The technical data can be modified without advance notice, the modifications do not influence the safety prescribed by the CE regulations.



 **scm**
 **minimax**
 **scm tecmatic**

 **scm**
 **routech**
 **celaschi**
 **dmc**
 **superfici**
 **sergiani**
 **gabbiani**
 **morbidelli**
 **rem**
 **mahros**
 **stefani**
 **cpc**
 **sag**

 **scmgroup**
 **delmac**
 **scmfonderie**
 **steelmec**
 **hiteco**
 **es**
 **csr**

 **CMS Cms**
wood technology

 **CMS Cms**
advanced materials technology

 **CMS Brembana**
stone technology

 **CMS Brembana**
glass technology

 **CMS CmsPlast**
plastic technology

 **CMS Tecnocut**
waterjet technology

 **CMS Balestrini**

| **1**
large industrial
group
/

| **18**
production
sites
/

| **30**
specialist
brands
/

| **21**
foreign branches
/

| more than **50**
years
in business
/

| **70%**
exports
/

| **350**
agents
and dealers
/

| **365**
registered patents
/

| **500**
support
technicians
/

| **3.000**
square metre
showroom
/

| **10.000**
classic and
professional
machines made per
year
/

| **240.000**
square metres
of production
space
/



www.scmgroup.com

passion**technology**performance

scm  **group**



SCM GROUP SPA CELASCHI - via Casale 450 - 47826 Villa Verucchio, Rimini - Italy
tel. +39 0541 674111 - fax +39 0541 674235 - celaschi@scmgroup.com - www.scmgroup.com



00L0066054D