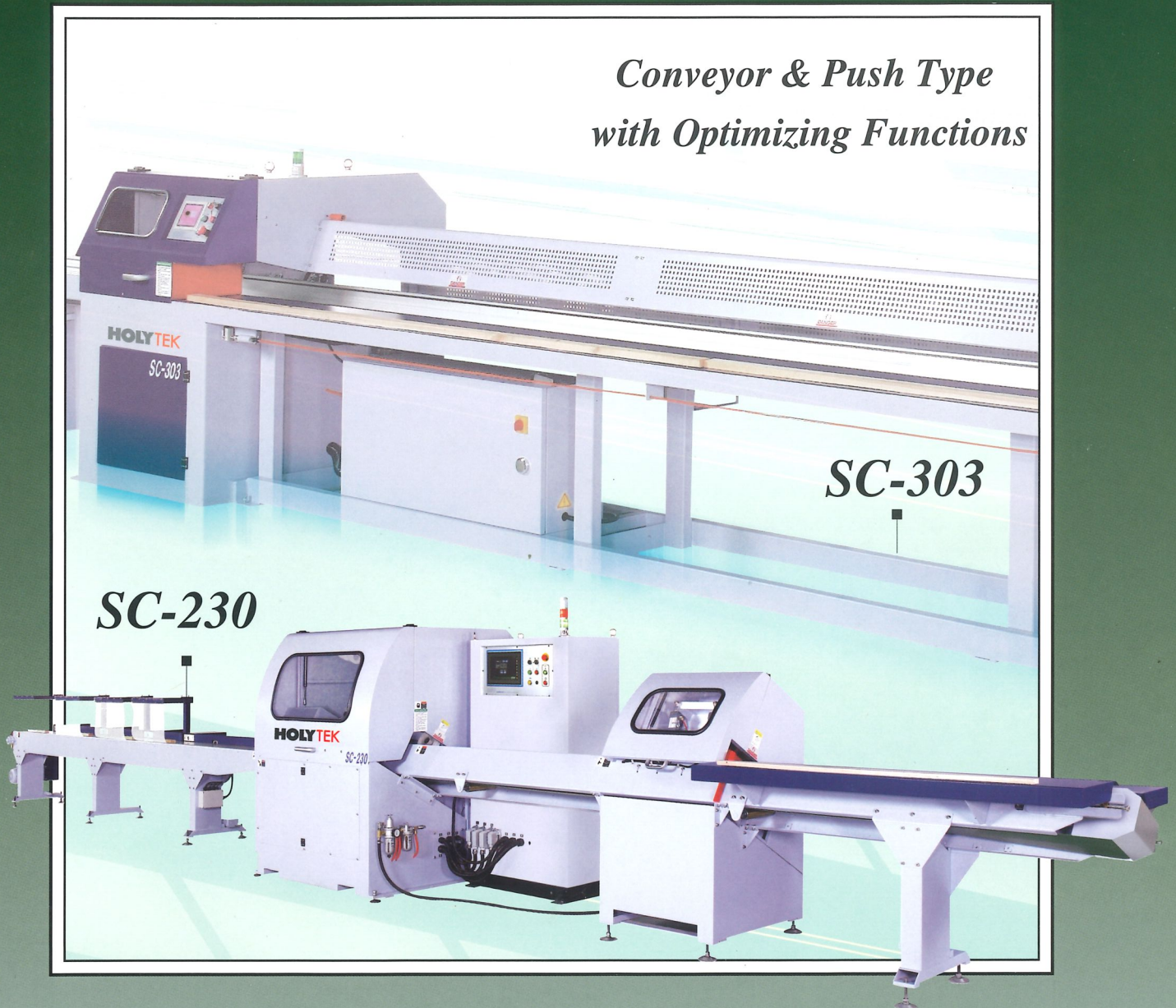


Sorting Cut-Off Saw

*Conveyor & Push Type
with Optimizing Functions*



The new highly advanced Sorting Cut-Off Machine from HOLYTEK is now available for purchase, setting a new standard for furniture manufacturing. With its fluorescent crayon for marking, incorporated with a photocell to automatically detect defective parts and high performance AC servo motor driving the infeed conveyor system (for precise positioning), you can greatly lower your production costs. Various lengths and quantities can be set as desired (standard: 12 sizes and optional 24 sizes), and data memorized. The machine also sports a variety of cutting modes to meet your most stringent cutting requirements.

HOLYTEK

SORTING CUT-OFF MACHINE

SC-230 / 230E / 303

A profitable performer for safe, high speed and highly efficient production.

A wide variety of cutting modes to meet your flexible cutting requirements.

Lower labour cost and time cost!

Increase production efficiency and economic benefits!

- This machine uses a fluorescent crayon for marking, incorporated with a photocell sensor to detect defective parts automatically.
- High performance AC servo motor drives the infeed conveyor system, providing precise positioning of the workpiece.
- Multiple language displays: Chinese, English and other languages (Option).
- Various lengths and quantities of cut can be set as desired. (Standard: 12 sizes / Option: 24 sizes, only for SC-303). Data can be memorized.
- Variety of cutting modes to meet your flexible cutting requirements.
- Depending on your requirement, a monitor equipment called "Far-end system" is optional.

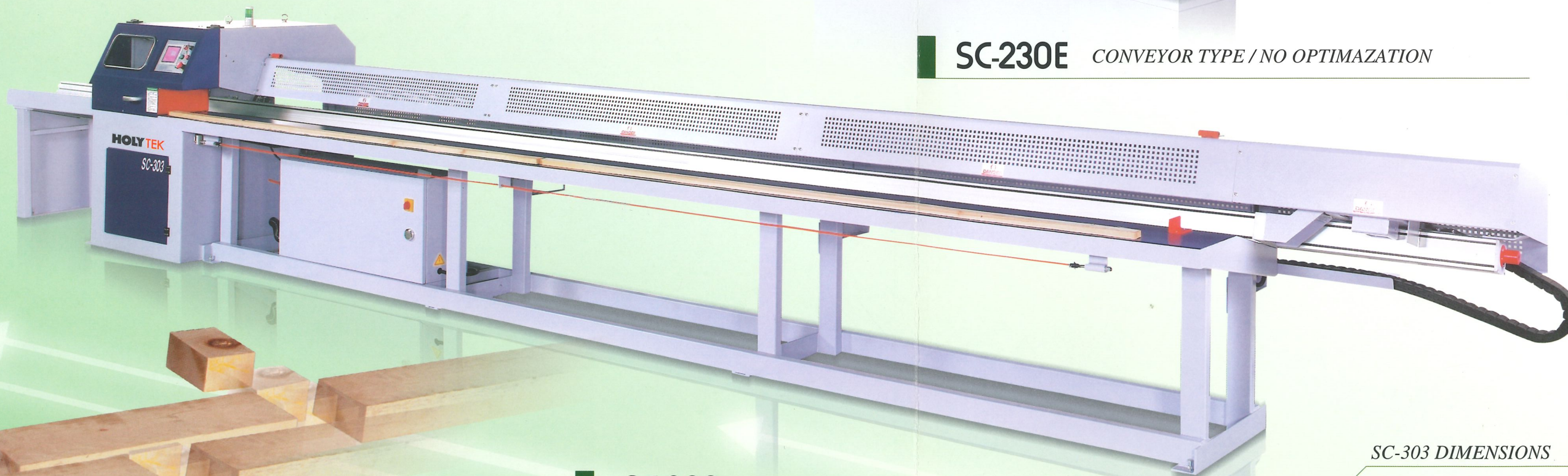


SC-230 CONVEYOR TYPE



SC-230E CONVEYOR TYPE / NO OPTIMAZATION

SC-230E DIMENSION

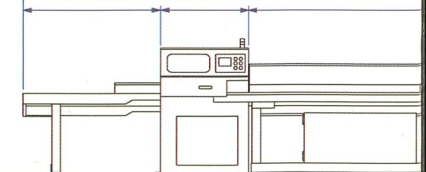


SC-303 PUSH TYPE

SC-303 DIMENSIONS

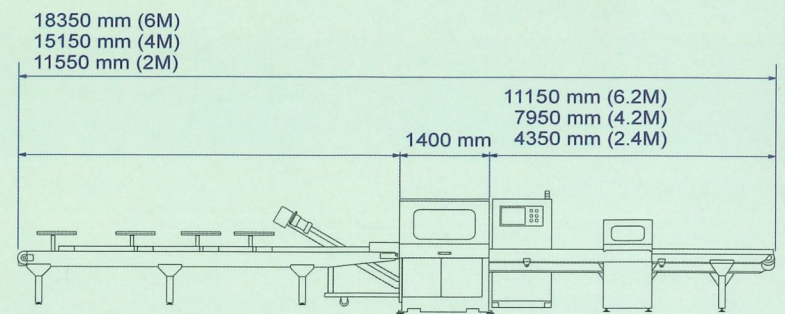
9500mm (6m)
8500mm (5m)
7500mm (4m)

1500mm 950mm





SC-230 DIMENSIONS

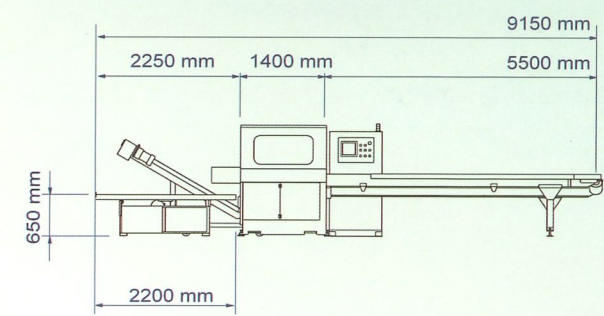


SC-230 CONVEYOR TYPE

The Sorting Cut-Off Machine is an advanced equipment specially designed and manufactured for furniture and material preparation manufacturers. High Speed, High Precision and Time Saving-Lowering Your Production Costs. Designed to greatly upgrade wood utilization and increase profits.



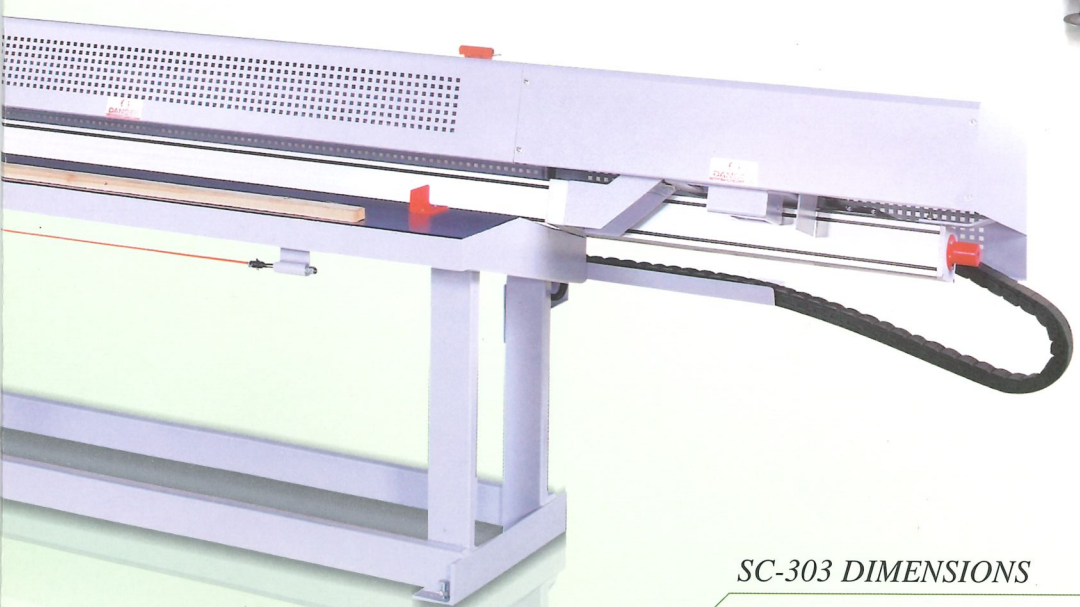
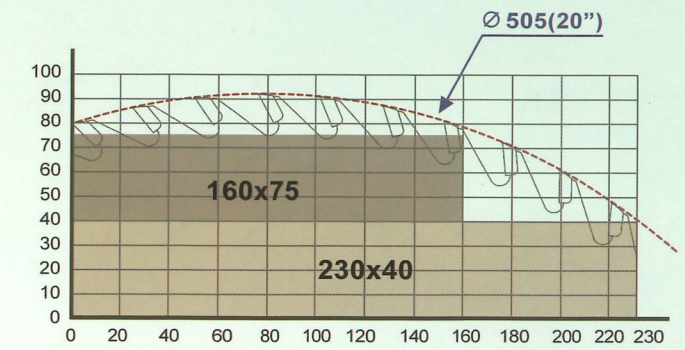
SC-230E CONVEYOR TYPE / NO OPTIMAZATION



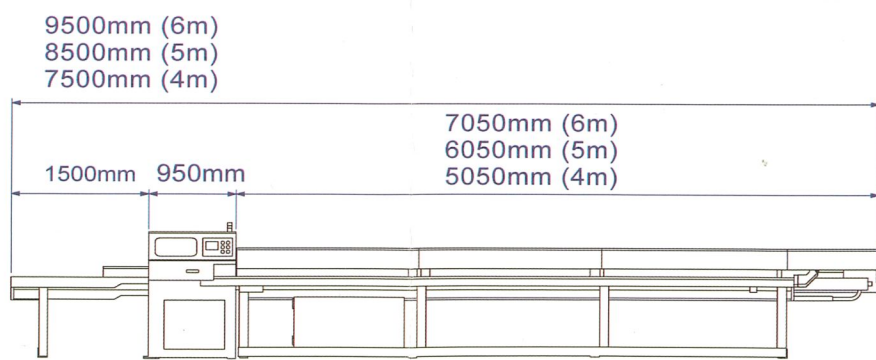
SC-230E DIMENSIONS

CUTTING CAPACITY

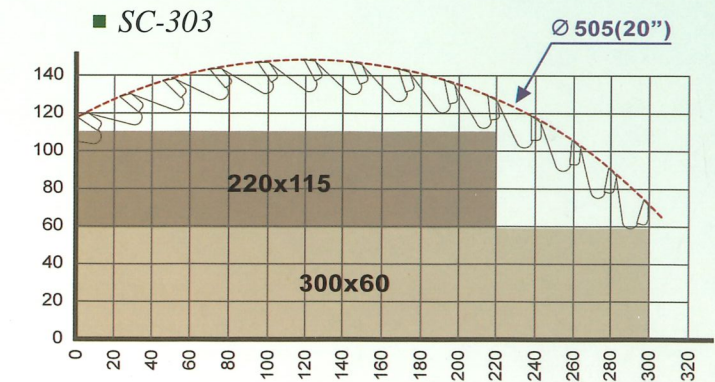
■ SC-230 / 230E



SC-303 DIMENSIONS



■ SC-303



MAIN FUNCTIONS

CONSTANT CUT (SC-230 / 230E / 303)

The wood length is known, and the sizes and quantities have been calculated.
Memory capacity up to 100 sets. Each set provides 12 sizes of cut.

APPLICATION CONDITIONS:

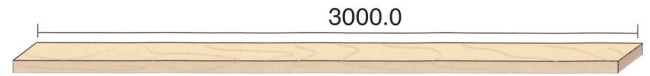
- The wood lengths in a lot are consistent.
- No defect removing (sorting) is required.
- Constant length of cut is required.

Example:

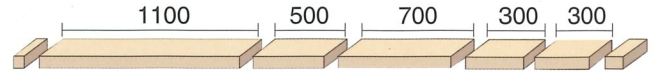
No.	Size	Q'ty	Sch. Q'ty
1	1100	1	2000
2	500	1	2000
3	700	1	2000
4	300	2	4000

Circle times : 2000

- ex. Original wood length



- Cutting:



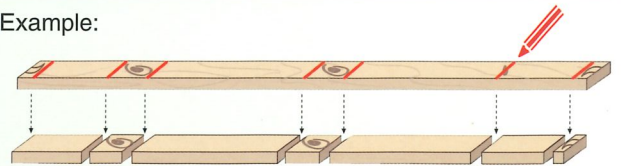
MARKING CUT (SC-230 / 230E / 303)

When setting at MARKING CUT mode, the machine will perform cutting once any marking line by fluorescent pen is sensed.

APPLICATION CONDITIONS:

- It is requested to remove defects on wood (sorting).
- No need to perform constant length of cut.

- Example:



OPTIMIZATION CUT (SC-230 / 303)

This cutting mode combines marking cut function and job sheet function.

When defect is removed, the computer will perform size calculation to decide the optimal cutting.
Memory capacity up to 100 sets. Each set provides 12 sizes of cut. (Option: 303 can be 24 sizes)

APPLICATION CONDITIONS:

- It is requested to remove defects on wood (sorting).
- Specified sizes of cut are required.

ABC Class Wood :

- A means good wood, B means wood with knots, C means wood with cracks.

ABC Class Wood :

- A means good wood, B means wood with knots, C means wood with cracks.

Provides 6 Optimization Modes:

- LONG LENGTH PRIORITY
- LONG LENGTH PRIORITY TAIL SECTION SAVE
- MATERIAL SAVING OPTIMIZATION
- NO. PRIORITY (Option)
- NO. PRIORITY TAIL SECTION SAVE (Option)
- PRICE PRIORITY(Option)

Upgraded Calculation Functions:

- COMBINES REMAINS AND WASTE
- AVERAGE Fin. Q'ty % (Option)
- COMBINE A REMAINS INTO B (Option)
- B SIZES CUT FROM A MAT'L (Option)

Example:

No.	Size	Sch. Q'ty
1	820	2000
2	1100	2000
3	1350	2000
4	1800	4000

- Suitable for:

1. Wood length is unfixed.
No need to remove defect.



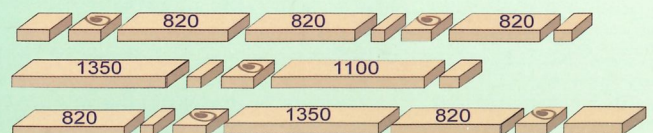
2. Wood length is consistent.
Need to remove defect.



3. Wood length is unfixed.
Need to remove defect.



- Calculating and Cutting:

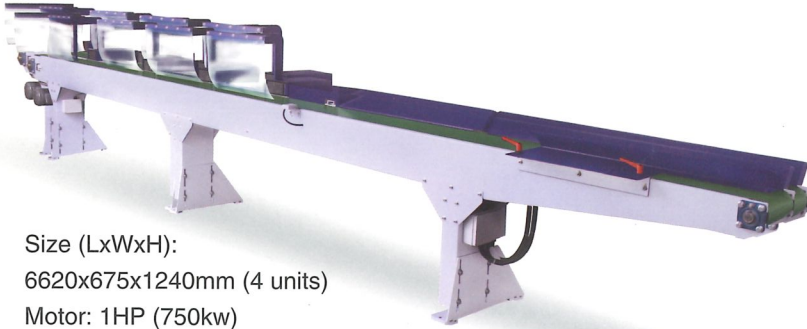


- If you are interested in these functions, or you have some specific request, you are welcome to contact us by email. holytek@ms13.hinet.net

OPTIONAL EQUIPMENT

■ Automatic Sorting System

(Standard equipment for SC-230)



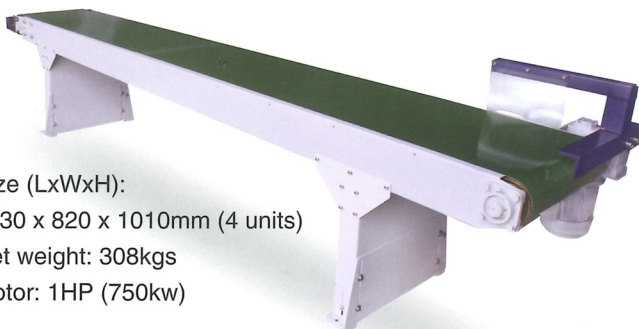
Size (LxWxH):
6620x675x1240mm (4 units)
Motor: 1HP (750kw)
Optionally can be 4~16 units

■ Disc Type Collection System

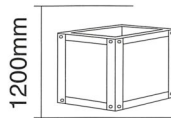


Size (diameter x H):
Ø1500 x 2200 x 650mm
Net weight: 252kgs
Motor: 1/4HP (187kw)

■ Belt Type Collection System



Size (LxWxH):
4230 x 820 x 1010mm (4 units)
Net weight: 308kgs
Motor: 1HP (750kw)



Size (LxWxH):
1600 x 500 x 1500mm
Net weight: 210kgs
Motor: 1HP (750kw)

■ Waste Conveyor



SPECIFICATIONS

MODEL	SC-230	SC-230E	SC-303
Cutting thickness	12~75 mm	12~75 mm	12~115 mm
Cutting width	30~230 mm	30~230 mm	40~300 mm
Min. cutting length	50mm	50mm	50mm
Min. infeed length	450 mm	300 mm	200 mm
Min. timber cross section	30x12 mm	30x12 mm	40x12 mm
Max. timber cross section	230x40 / 160x75 mm	230x40 / 160x75 mm	300x60 / 220x115 mm
Feeding speed	100~190 m/min	50~130 m/min	0~100m/min
Cutting speed	140 pcs per minute (Note1)	140 pcs per minute (Note1)	60 pcs per minute (Note 2)
Sawblade diameter	ø505 mm (20")	ø505 mm (20")	ø505 mm (20")
Saw arbo diameter	ø25.4 mm (1")	ø25.4 mm (1")	ø25.4 mm (1")
Spindle speed	4800 RPM	4800 RPM	3400 RPM
Feeding servo motor	10HP / 7.5KW	6HP / 4.4KW	1.73HP / 1.3KW
Saw drive motor	10HP / 7.5KW	10HP / 7.5KW	10HP / 7.5KW
Outfeed motor	1HP / 750W	(Option)	(Option)
Elevation motor	1/4 HPx2	1/4 HPx2	-
Air pressure	5~6 kg/cm ²	5~6 kg/cm ²	5~6 kg/cm ²
Dust hood outlet diameter	ø125mm (5")x2	ø125mm (5")x2	ø100mm (4")x2
Machine dimensions (L x W x H)	15330x1862x1750 mm	9680x1862x1750 mm	9500x1250x1700 mm
Machine Net weight (Approx)	3100kgs	1850kgs	1200kgs
Machine Gross weight (Approx)	3600kgs	2300kgs	1400kgs

Note 1. When the constant cutting length is 50mm.

Note 2. When the original wood length is 6M, the constant cutting length is 50mm.

Note 3. SC-230: Sawblade elevation driven by servo motor is optional.

*All specifications, dimensions and design characteristics shown in this catalogue are subject to change without notice.

HOLYTEK

HOLYTEK INDUSTRIAL CORP.

9F-1, NO. 400, SEC. 1, CHANG PING RD., TAICHUNG, TAIWAN, R.O.C.

TEL: 886-4-2245-2818 (REP.) FAX: 886-4-2243-6928

E-mail: holytek@ms13.hinet.net

http://www.holytek.com.tw