



Sägen

Hobeln

Fräsen

MARTIN

T60 Sliding Table Saw



The MARTIN sliding-table saws provide cutting-edge performance for the long-term!

Apart from maximum precision and long life, MARTIN offers major components that can be updated as time marches on.

MARTIN



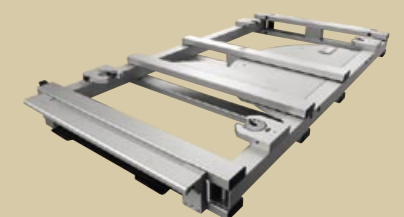
T60 Basic
The woodworker's introduction to MARTIN's world of sawing.



T60 Classic
The work horse for today's modern manufacturer.



T60 Precision
The specialized solution for esoteric miter cuts.



Das Zubehör
Individual solutions for your individual needs.

MARTIN Sets Standards
Why a MARTIN machine is something very special.

Page 4



The T60: MARTIN's interpretation of the entry level-class saw.

The T60 features a trail-blazing German design and construction that focuses on what really matters for today's woodworker: maximum performance at an attractive price. With a clear value, application-oriented usability, maximum reliability, and legendary MARTIN resale value, this machine sets a new standard for the modern cabinetmaker and woodworker.

Ideal Price/Performance Balance

All key components of the T60 are made as you would expect with a MARTIN machine. Where a higher price does not directly result in higher performance, the T60 purposely features the „more compact“ offer. Target-oriented machine engineering and state-of-the-art operating technology make the T60 an excellent solution for all who are looking for an affordable introduction to precision machinery. Every T60 offers to the customer an ideal price/performance balance.

Touch-Screen [1]

Every T60 is equipped with a modern, intuitive touchscreen controller that offers step-by-step prompting of the operator through complex joinery and angular cuts. The all new color GUI 2.0 touchscreen makes the use of the T60 even more comfortable for the operator. All relevant information is visible at a glance; the cutting height, cutting angle, and, depending on if a motorized rip fence is ordered, the cutting width can be adjusted speedily and precisely through the controller as well.

Rip fence [2]

Even under high load, the guide's wear-proof grooved ball-bearing design ensures precise, easy to move operation with high level of angle precision over the entire cutting width of the T60.

Cross-cut fence [3]

Key features of the cross-cut fence are the smooth movement of the stops along the fence rail and the standard fine adjustments on the stop elements. Both standard stop elements move on high-quality linear slide bearings made of a wear-proof high-performance polymer and can be used over the entire length of the fence extrusion.

Sliding table [4]

The T60 makes use of the most modern form of MARTIN's proven sliding-table guide system; a design that MARTIN has stuck to for more than 47 years. The replaceable table lip and the ability to lock the table down every 20mm along the length of the machine are some of the outstanding characteristics of the MARTIN system.

The T60 PreXision:

Patented world innovation of the first 2 x 46° tilting range slider.

MARTIN is the very first manufacturer to offer a sliding table saw where the blade can be tilted to the right and to the left up to 46°. This gives today's custom woodworker a cutting-angle range of 92°, allowing the use of the cross-cut fence and the rip fence to perform every angle cut in the ideal way for the procedure and the workpiece.

Easy Blade Changes

With the standard quick-change system, changing the saw blade takes a matter of seconds. An integrated tool menu in the touchscreen controller provides the operator with a display of all tool dimensions and ensures the precise adjustment of the cutting height and cutting angle without time-consuming calibration.

[▲1] [▼2]

[▼3]

[▼4]



Some of the text and images in this brochure refer to special accessories that are subject to additional charges.

Please consult your MARTIN representative.

T60 Basic: The inexpensive introduction to the world of MARTIN

At the beginning of a woodworker's career, important decisions are made. Opting for a T60 from MARTIN results in no compromises.

Modern touchscreen controller

A unique feature of all T60's: the saws are equipped with an intuitive touchscreen controller at eye level as standard. The height and angle of the saw blade can be precisely positioned in a few seconds. Moreover, self-explanatory cutting menus prompt the operator step by step through complex procedures. An integrated calculator is

also included.

High-quality mechanical design

On all T60 models, important mechanical components such as the sliding table, the cross-cut fence, and the rip fence are made of highest-quality and durable materials. The sliding table is designed like you would expect a MARTIN machine should be: with a replaceable table lip and durable, highly-ribbed, hollow-chambered aluminium profile. The ability to lock the table down every 20mm along the length of the table

has been adopted from the T60's big brother; the T74. Other key features include the smooth movement of the two stop elements along the fence rail; both which include standard fine adjustment – a vital prerequisite for precision cuts.

Manual rip fence adjustment

On the T60 Basic, the rip fence is adjusted manually according to a scale. Standard features include a precise fine adjustment and mounting rack for the fence when the fence is removed from the table. The fence's sophisticated guide

system with four grooved ball bearings ensures long term reliability.

Powerful motor

The main blade of the T60 Basic is powered by a 5000 rpm 4 kW motor. The machine's maximum blade diameter is 315 mm, protected by a riving knife mounted guard. Optionally, you can get the "BasicPlus" package that contains a stronger 5.5 kW motor with three rpm ranges and an overhead blade guard. The maximum cutting height on the T60 Basic is 80 mm; with the "BasicPlus"

package, material can be cut with a thickness of up to 130 mm. For perfect cuts on laminated material, you have the choice between two optional scoring systems: the 2-axis scoring unit or the patented 3-axis scoring unit.

Motor power	4.0 kW (5.5 HP)
Saw-blade tilting	0 to 46 °
Cutting height	max. 80 mm (3-1/8")
Saw-blade diameter	250–315 mm (10"-12-1/2")
Rotational speed	5000 rpm
Cutting width	850 mm (33-1/2")
Standard Sliding-table length	3000 mm (118")
Weight	approx. 1300 kg (2,865 lbs.)



Standard fine adjustment



Everything at a glance: the touchscreen controller



Removable rip fence

T60 Basic



T60 Basic with accessories

- T6018 "BasicPlus" cutting-height package
- T6020 2-axis scoring unit

T60 Classic: the compact workhorse machine for the modern woodworker

A sliding-table saw should allow the operator to work quickly, accurately, and without fatigue, operating reliably for many years. All of this is possible at a very attractive price – the T60 Classic from MARTIN.

Perfect interaction

The perfect balance of a modern touchscreen controller and smart software provides the operator full control over their saw. The touchscreen controller is at eye level and provides all necessary information needed by the operator.

The height and angle of the saw blade can be positioned within a few seconds. Like the other T60 series saws, the Classic also provides step-by-step menus to prompt the operator through complex joinery and angular cuts.

High-quality mechanical design

The T60 is supported by a solid, heavy 6mm thick plate steel frame. The sliding table is designed like you would expect a MARTIN machine should be: with a replaceable table lip and a beefy, highly-ribbed, hollow-chambered

aluminium profile.

Controlled rip fence adjustment

The rip fence of the T60 Classic runs on precision ball bearings and is adjusted effortlessly from the operator position via a hand wheel. The cutting-width display, which is integrated in the touchscreen controller, allows you to quickly adjust measurements down to a tenth of a millimeter. Even if you rotate the aluminium fence extrusion for veneer overhang applications, the measurement will be correct, thanks

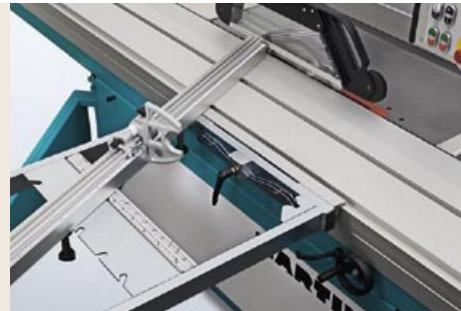
to the intuitive touchscreen. As an option, the T60 can be ordered with a motorized rip fence that is fully integrated in the controller, turning the T60 Classic into a 3 axis cutting machine.

Comfortable angular cutting

Every T60 is designed to fully support angular cuts. Detents for commonly used angles and length compensation software in the touchscreen controller make for precise angular cuts when using the cross-cut fence. The optional miter cross-cut table can make your T60 a full-

fledged miter-cutting center.

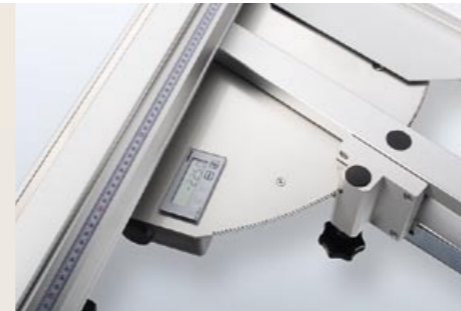
Motor power	5.5 kW (7.5 HP)
Saw-blade tilting	0 to 46 °
Cutting height	max. 130 mm (5-1/8")
Saw-blade diameter	250–400 mm (10"–15-3/4")
Rotational speed	4000/4800/6000 rpm
Cutting width	850 mm (33-1/2")
Standard Sliding-table length	3000 mm (118")
Weight	approx. 1350 kg (2,980 lbs.)



Precise angles with ease



Full control



Fine adjustment for precision



T60 Classic

T60 Classic with accessories

- T6010** 1250 mm Cutting width
- T6027** 3-axis scoring unit
- T6035** Miter cross-cut table
- T6042** Digital 2-point cross-cut fence
- T6076** Variable speed control
- T6086** Job sheet holder
- T6090** Motorized rip fence

T60 PreXision - cutting-edge performance for every angle

With conventional sliding-table saws, the saw blade can only be tilted by 46° to the right or not at all. With the T60 PreXision, the saw blade can also be tilted by 46° to the left, resulting in a unique total cutting-angle range of 92°.

Double cutting-angle range

The doubling of the cutting-angle range provides a boundless variety of new possibilities. For example, cuts that used to be impossible or difficult to realize with circular saws can now be made easily.

Perfect angle cuts

Thanks to this patented innovation, you can now use the cross-cut fence and the rip fence on the T60 PreXision to execute every miter cut in the ideal way for your job and the processed workpiece. You are the one who decides how the workpiece is going to be processed, not the machine. An advantage only the T60 PreXision from MARTIN gives you.

Full support

As on all T60 machines, an intuitive touchscreen

controller supports you in your work. Function menus specifically adapted to the capabilities of the T60 PreXision increase the performance range of this machine, making even tasks like cutting dovetail joints child's play.

Optimum mechanical design

On all T60 models, important mechanical components such as the sliding table, the cross-cut fence, and the rip fence are made of high-quality material and are very durable. The rip fence moves on a

ball bearings and can be adjusted directly from the operator position via a hand wheel, like on the T60 Classic; optionally, this frequently used fence can be motorized.

Tool replacement in seconds

The maximum cutting height on the T60 PreXision is limited to 72 mm. To enable an optimum view of the saw blade and workpiece, the PreXision was designed with a riving knife guard; the maximum blade diameter is 315 mm. Thanks to the unique keyless

quick-change „V-Lock“ system, the replacement of the main saw blade takes a matter of seconds. The time-consuming calibration of the cutting height and cutting width is no longer necessary after the tool is replaced, since the controller offers a tool menu for up to 10 tools. A popular option is to equip the PreXision with a scoring unit, making angular cutting on veneered panels for estoteric store fixtures a snap.

Motor power	4 kW (5.5 HP)
Saw-blade tilting	-46° to +46°
Cutting height	max. 72 mm (2-7/8")
Saw-blade diameter	300-315 mm (11-7/8" - 12-3/8")
Rotational speed	5000 rpm
Cutting width	850 mm (33-1/2")
Standard sliding-table length	3000 mm (118")
Weight	approx. 1450 kg (3,200 lbs.)



Quick blade replacement with V-Lock



Unique cutting-angle range of 92°



Everything in focus

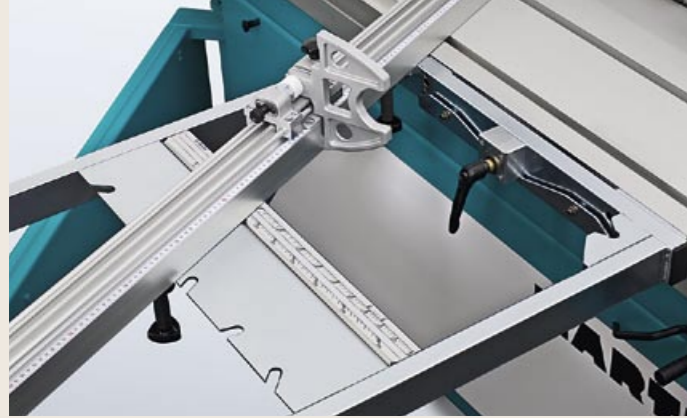
T60 PreXision



T60 PreXision with accessories

- T6001** 1.9 m Sliding table
- T6021** 2-axis scoring unit
- T6086** Job sheet holder

Accessories



The T60's standard cross-cut table

Standard cross-cut table

The basic equipment on all T60 saws includes a heavy cast cross table. The cross-cut fence can be used in the front and rear positions by unscrewing the undermount studs and repositioning it. The large angular scale, which is integrated in the table, enables precise angle cuts between 0° and 50° by simply locking down the cross-cut fence. The operator is prompted by the controller for any calculations of the compensated angular cutting dimensions.



T6035 Miter cross-cut table

Miter cross-cut table

With the digital angle display integrated in the table, miter cuts can be set easily and accurately. With the MARTIN design, the table offers full support of the workpiece at every angle. The MARTIN table and fence move...not just the fence. After unlocking the table with a lever, the table can be adjusted in the range of ± 46.50° according to the LCD display. Other important details include the positive 0° lock and the fine adjustment that facilitates the movement of the table in 1/100° increments. If this table is ordered, the T74 series fences from T6040 to T6043 are mandatory.



T6027 Electrically adjustable 3-axis scoring-saw unit

Electrically adjustable 3-axis scoring saw

With the patented MARTIN 3-axis scoring saw system, you can adjust the blade including the scoring width while the machine is running. The fully integrated scoring saw is linked to the touchscreen's tool menu, allowing the automatic positioning of the scoring saw width to match every main saw blade that has previously been entered into the controller. The system needs to be calibrated only once.



T6090 Motorized positioning of the rip fence

Controlled rip fence

For today's modern woodworker or cabinetmaker, the most efficient way to position the rip fence is to motorize it and fully integrate it into a controller. If the T 6090 motorized rip fence is ordered, you instantly have a T60 Classic or PreXision with 3 controlled axes. Apart from the cutting height and angle, you can also set the cutting width precisely, quickly, and comfortably from the touchscreen. The 3rd axis is fully integrated into all cutting menus.



T6042 Digital cross-cut fence with 2-point alignment

Digital cross-cut fence with 2-point alignment

For those who need digital precision for the cross-cut fence, there are two options. The proven MARTIN 2-point cross-cut fence allows both solid wood or panels to be aligned at two points along the fence extrusion. The fence with continuous contact alignment allows the workpiece to be aligned seamlessly against the fence extrusion. The inner and outer stops incorporate separate measuring devices and can be adjusted independently from one another.



T6020 Electrically adjustable 2-axis scoring-saw unit

Electrically adjustable 2-axis scoring unit

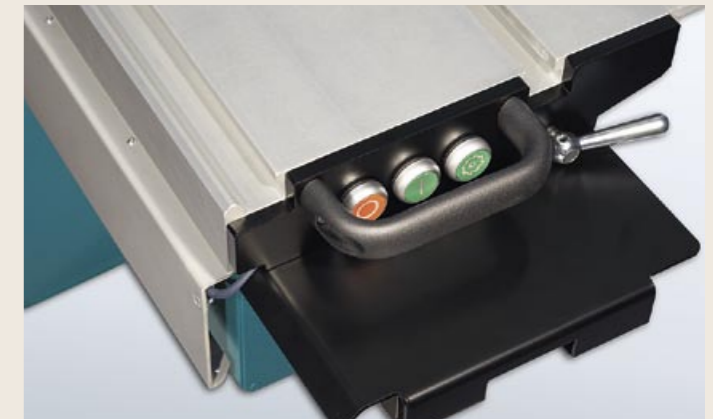
With the MARTIN 2-axis scoring system, the scoring height and left/right position in relation to the main blade are adjusted through the touchscreen controller while the machine is running. As is the case with conventional systems, the machine must be shut down to adjust the scoring width with shims. However, if you combine the 2-axis scorer with the T 6022 Scribe-Master saw-blade system, this adjustment can be made much faster and comfortably with the turn of an Allen key.



T6076 Variable rotational speed control for the main saw blade

Variable speed control

A powerful 7.5 kW motor delivers a speed range from 2000 to 6000 rpm. Now you can optimize the speed of your saw blade to the material you are cutting; especially important when machining modern plastics. With this option, the noise generated by the saw blade can also efficiently be reduced to a minimum through the inverter. By setting the blade speed to the optimum value, it is easy to establish a perfect balance between the cutting quality and the noise emission.



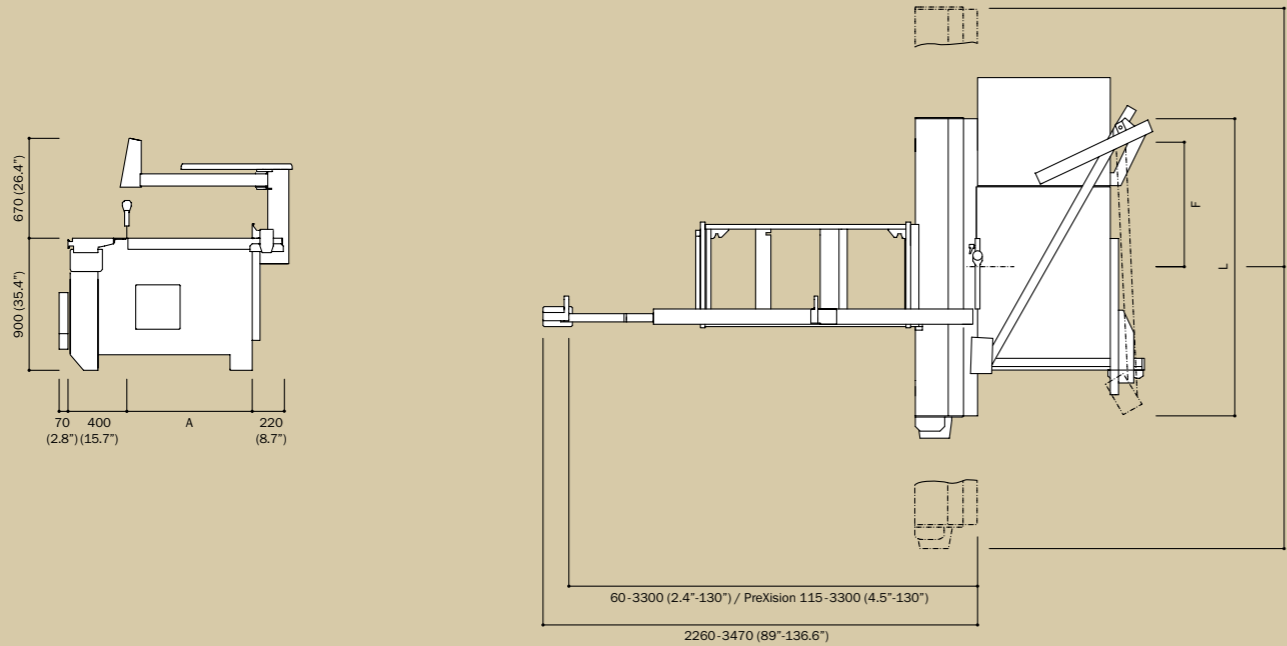
T6077 On/off switch for the main saw and scoring saw on the sliding-table handle.

ON/OFF on the sliding table

This accessory saves time, reduces unnecessary noise emissions, and provides more safety for the operator. The saw is switched on only when it is really needed, even when handling large workpieces. The main saw blade and scoring blade can be switched on independently from one another and can be turned off with a shared button.

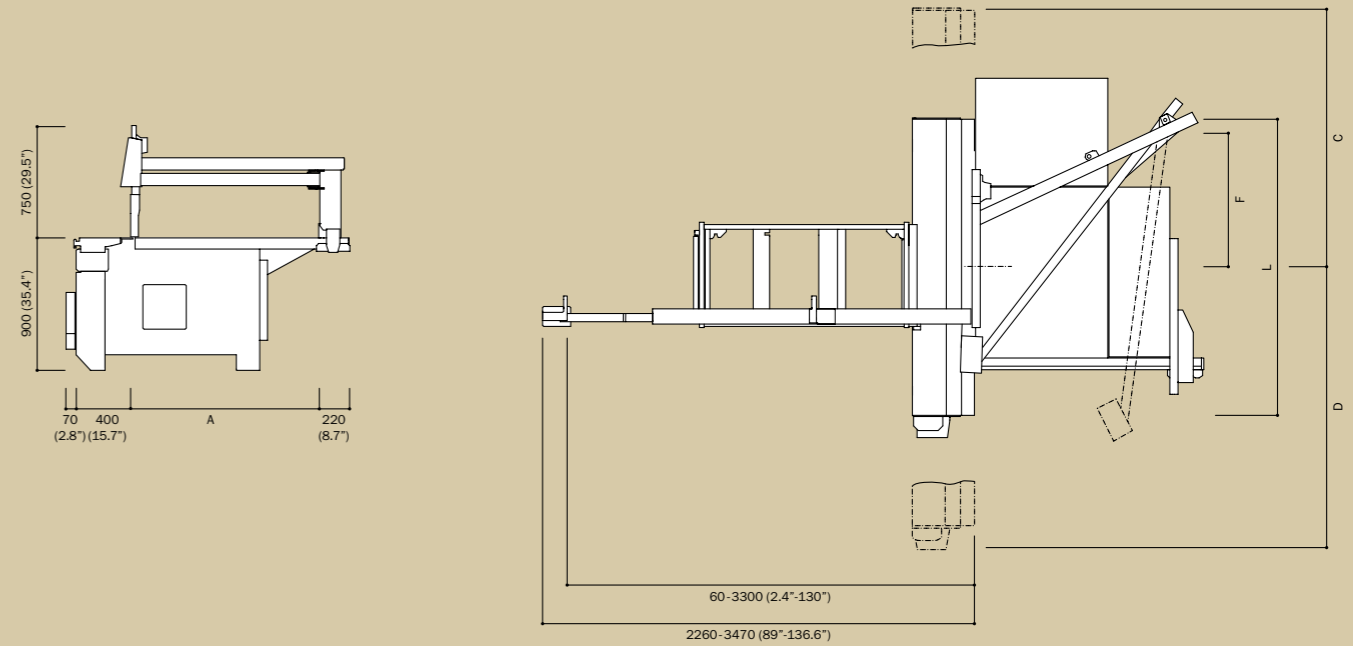
Technical specifications

T60 Basic T60 PreXision



Technical specifications	T60 Basic	T60 Classic	T60 PreXision
Motor power	4 kW (5.5 HP)	5,5 kW (7.5 HP)	4 kW (5.5 HP)
Optional	7,5 kW (11 HP)	7,5 kW (11 HP)	
Cutting height	max. 80 mm (3-1/8")	max. 130 mm (5-1/8")	max. 72 mm (2-7/8")
Optional	max. 130 mm (5-1/8")		
Saw-blade tilting	0° bis 46°	0° bis 46°	-46° bis +46°
Saw-blade diameter	250 - 315 mm (10" - 12-1/2")	250 - 400 mm (10" - 15-3/4")	300 - 315 mm (11-7/8" - 12-3/8")
Optional	250 - 400 mm (10" - 15-3/4")		
Rotational speed	5000 rpm	4000/4800/6000 rpm	5000 rpm
Optional	4000/4800/6000 rpm		
Optional Frequency Drive	Infinitely variable 2000 - 6000 rpm	Infinitely variable 2000 - 6000 rpm	
Saw-blade replacement	ProLock	ProLock	V-Lock
Blade thickness	max. 15,5 mm (5/8")	max. 15,5 mm (5/8")	max. 5 mm (3/16")
Cutting width	850 mm (33-1/2")	850 mm (33-1/2")	850 mm (33-1/2")
Optional	1250 mm (49-3/16")	1250 mm (49-3/16")	1250 mm (49-3/16")
Sliding-table length	3,0 m (9' 8")	3,0 m (9' 8")	3,0 m (9' 8")
Optional	1,9 m/3,3 m/3,7m (6' 3", 10' 10", 12' 7")	1,9 m/3,3 m/3,7m (6' 3", 10' 10", 12' 7")	1,9 m/3,3 m/3,7m (6' 3", 10' 10", 12' 7")
Controller	PowerPC	PowerPC	PowerPC
User interface	Touch-Screen, color TFT 5,7" (145 mm)	Touch-Screen, color TFT 5,7" (145 mm)	Touch-Screen, color TFT 5,7" (145 mm)
Cutting angle/height	Controlled	Controlled	Controlled
Cutting width	By scale	Digital display	Digital display
Optional		Controlled	Controlled

T60 Classic T60 Basic+



Technical specifications	T60 Basic	T60 Classic	T60 PreXision
Display resolution	0,1° bzw. 0,1 mm	0,1° bzw. 0,1 mm	0,01° bzw. 0,1 mm
Dust Port - machine frame	Ø 120 mm (4-3/4")	Ø 120 mm (4-3/4")	Ø 120 mm (4-3/4")
Dust Port - blade guard	Ø 60 mm (2-3/8")	Ø 100 mm (4")	Ø 60 mm (2-3/8")
Optional	Ø 100 mm (4")		
Weight	approx. 1450 kg (3,200 lbs.)		

A = cutting width	F = passage width
850 (33.5")	800 (31.5")
1250 (49.2")	800 (31.5")

Edging-table length L	Format cut	Movement range C	Movement range D
1900 (75")	1900 x 1900 (75" x 75")	2500 (98")	2400 (94")
3000 (118")	3000 x 3000 (118" x 118")	3600 (142")	3500 (138")
3300 (130")	3300 x 3300 (130" x 130")	3900 (154")	3800 (150")
3700 (146")	3300 x 3700 (146" x 146")	4300 (169")	4200 (165")

Dimensions and technical data are subject to technical innovation and may be changed without notice.

Please refer to the latest price list for current details about the machine specifications and equipment.

Low dust emissions according to BGI 739, appendix 4.
All dimensions in millimeters (inches).
Made in Germany.



MARTIN

Otto Martin Maschinenbau GmbH & Co. KG
Langenberger Str. 6
87724 Ottobeuren
Germany

Phone +49 (0) 8332 911-0
Fax +49 (0) 8332 911-180
sales@martin.info
www.martin.info