

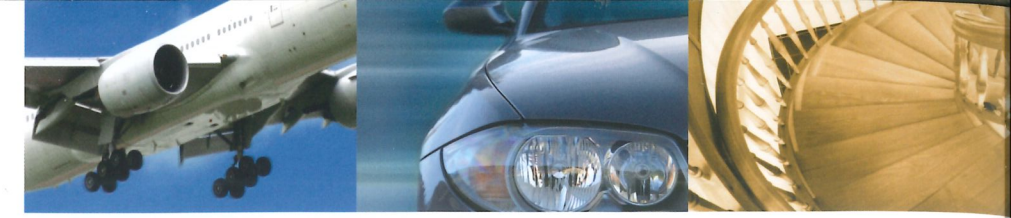
CNC-machining centre

***vision***  
***PREMIUM***

CNC-technology at its best



**HAMUEL**  
**REICHENBACHER**  
A member of the SCHERDEL group



## More flexibility for extraordinary performance

The new and efficient VISION Premium CNC-machining centre can be equipped with a wide variety of different heads and has applications in all industrial sectors. The VISION Premium offers high-quality and flexible processing for both mass production and one-off pieces.

Stiff moulded components form the fundamental basis for exceptional production quality. A movable portal is set on top of the rigid machine bed, which ensures superior positioning accuracy. The four-stand design minimises the influence of machining forces and its own weight on the work units.

The unique feature of the head assembly is the 5-axis working head as a central element with interfaces for different tool changers, a drilling head with 19 places, and two slides which can each accommodate a 3-axis routing spindle.

The automatic beam table considerably reduces setting times. Other key features of the VISION Premium include quick changeover times, high feed speeds and high dynamics.

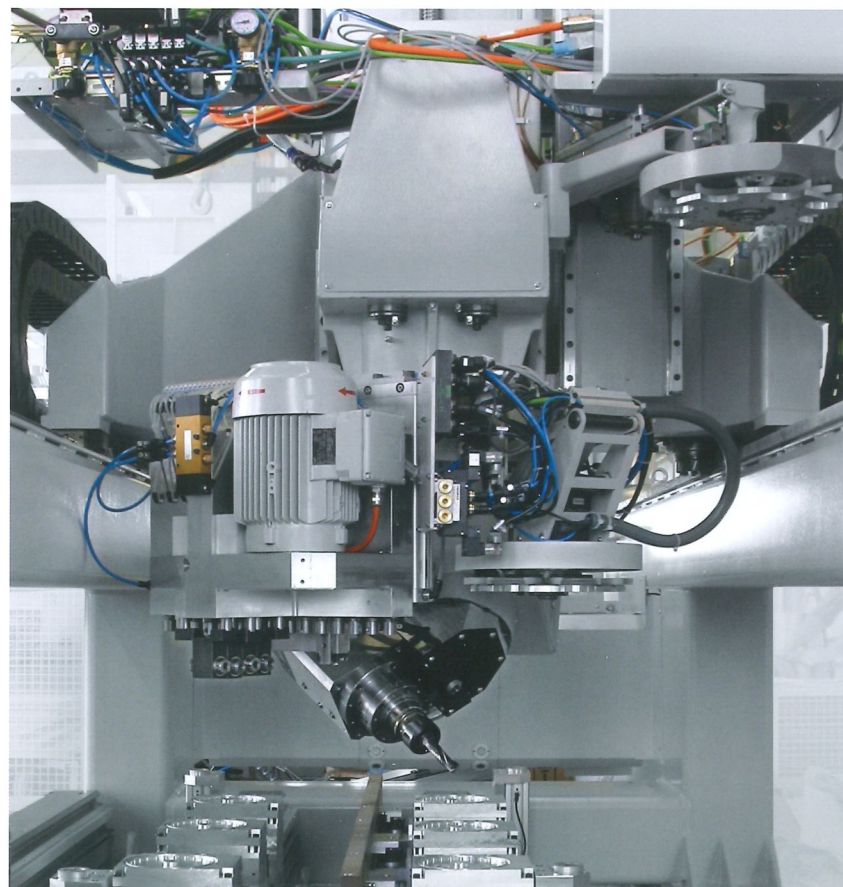


### Machine table execution

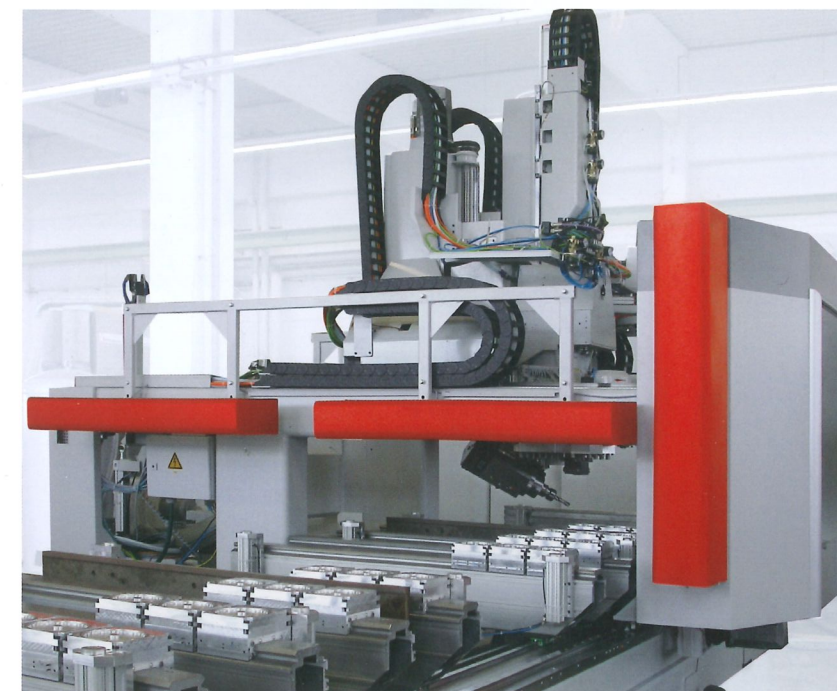
- Automatic setup table (illustration)
- Plane table with stops
- Grooved table with stops
- Beam table (manual and automatic)
- Nesting table
- Pin table
- Options jig for newelposts, jig for steps, clamping elements, clamping device for semicircular arches, stops and supporting beams
- Customised solutions

### Clamping devices for automatic beam table (operating of steps)

- Beam and base plate adjustment are done automatically
- Jig for newelposts to be fixed on the base plates on the beams
- Reciprocal loading on two working stations possible
- Supporting beams
- Clamping elements
- Tubeless vacuum pod to be fixed on the base plate (various cover panels possible)



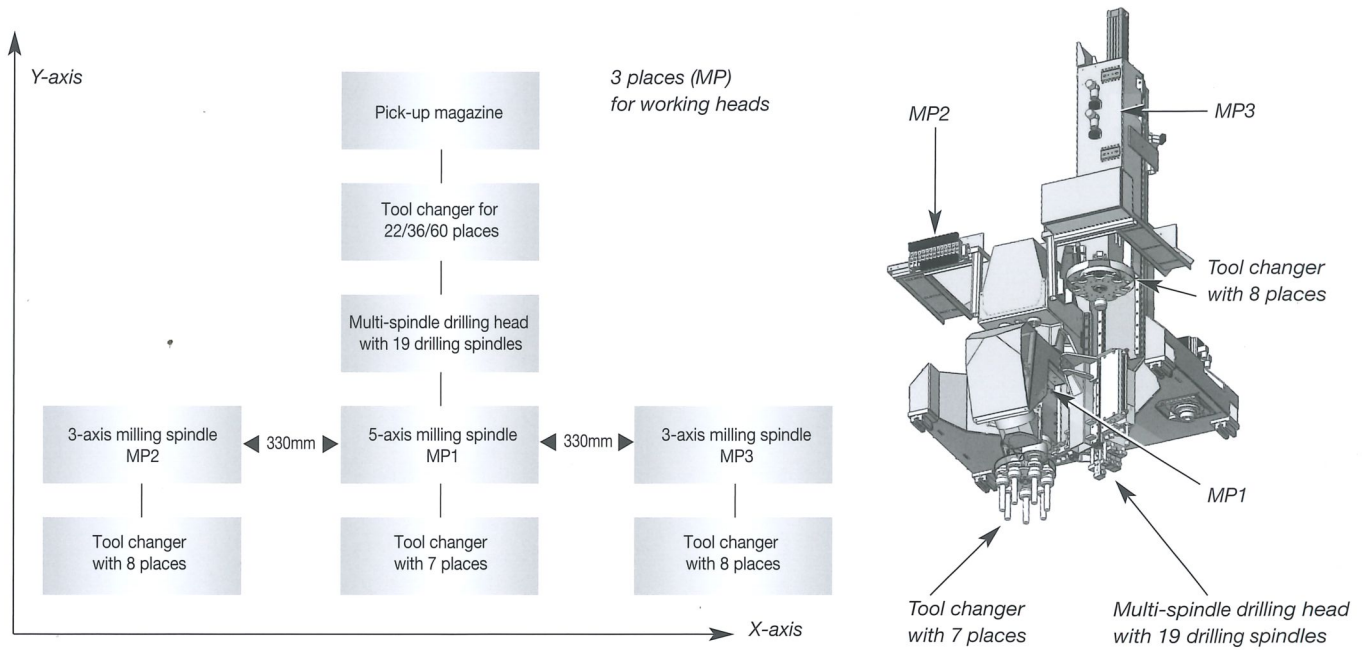
Up to four simultaneously arranged units guarantee maximum flexibility with high performance. Highly dynamic servo motors, dual prompted and precise guide elements together with optimised drive adjustment ensure an extraordinary feed performance with ultimate contour accuracy.



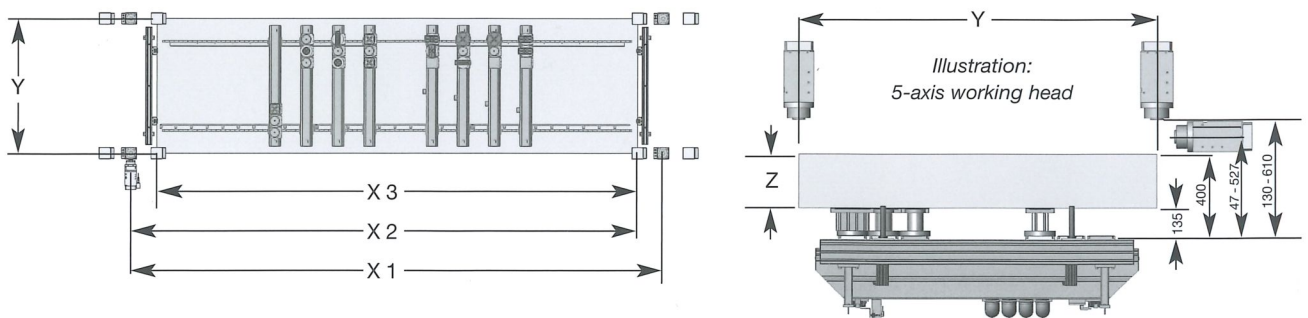
Bumper are attached on both sides of the gantry which enable a simple loading – without interfering protective mats or safety fences. This effective casing fulfils all the machine safety requirements for machining centres in the wood processing industry and furthermore ensures a low level of noise and dust emissions.

Universally applicable - for example for special mouldings in aeroplane, vehicle and staircase construction, efficient complete machining of moulded parts and panels, machining of hybrid parts made of plastic and metal, machining of aluminium and plastic components.

## Structure of aggregates



## Working space



	Working heads in use	VISION 4000 (T)	VISION 6000 (T)	VISION 8000 (T)
Measure X 3 mm	MP1, MP2, MP3	3,640	6,140	8,640
Measure X 2 mm	MP1 und (MP2 or MP3)	3,970	6,470	8,970
Measure X 1 mm	MP1	4,300	6,800	9,300
Measure Y mm		1,720 (2,320)	1,720 (2,320)	1,720 (2,320)
Measure Z mm		265	265	265

→ referring to workpiece diameter = 0mm / workpiece length = 0mm processable from all sides with all working heads

## Control system

### Control system with integrated safety principle

The VISION Premium is equipped with the latest generation of control systems, the Sinumerik 840D solution line (sl) from Siemens, whose openness and modular system architecture perfectly matches the design concept of the VISION Premium.

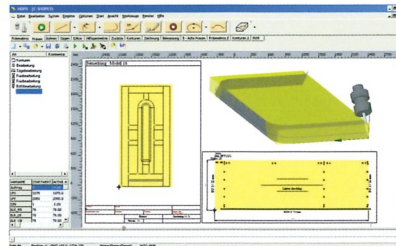
The machine is operated and programmed in a time-saving and intuitive manner using a graphic user interface. Above all the control system is able to handle the short reaction times resulting from the high processing speed. This means that the ultimate machining precision is also guaranteed during high speed milling. The high speeds also require a sophisticated

safety principle. The Sinumerik 840 sl offers the best conditions in this regard with the safety concept Safety Integrated. As all the safety functions are directly integrated in the control and drive technology, this intelligent solution provides a high level of protection for man and machine whilst featuring convenient handling.

## Software

### NC-HOPS

Using NC-HOPS as a CAD/CAM solution allows fast visual development of dynamic parts. Thanks to the machine neutral workpiece description, time-consuming movements, positioning processes and special functions do not need to be programmed at the machine.



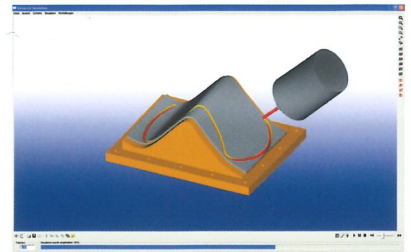
Door frame elements with 5-axis machining and layout, programmed in NC-HOPS

- quick learnability
- efficient working environment
- graphic identification (click to get)
- extensive processing functions
- reusable macros (libraries)
- side-neutral processing

- tool-specific positioning of the working heads
- support of the positioning aids for pods and workpieces
- workshop-oriented system

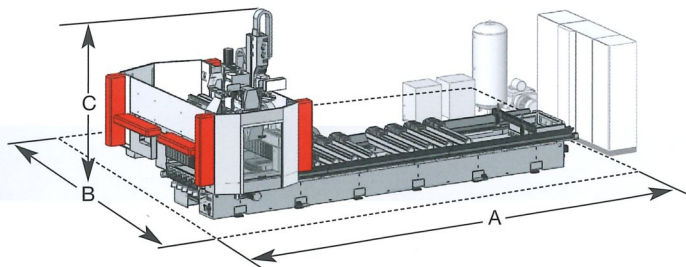
### Licom AlphaCAM

is a modular CAD/CAM system for timber and plastics processing. The emphasis lies on programming on solid models, graphic parametric, excellent nesting solutions and much more, from the 2.5D up to 5-axis routing.



5-axis trimming with the tool edge, programmed in AlphaCAM

## Dimensions for installation



	VISION 4000 (T)	VISION 6000 (T)	VISION 8000 (T)
Measure A mm	7,600	10,100	12,600
Measure B mm	4,900 (5,500)	4,900 (5,500)	4,900 (5,500)
Measure C mm	4,400	4,400	4,400

→ in consideration of 800mm safety distance

# VISION PREMIUM

## Technical features

		<b>VISION 4000</b> (VISION 4000-T)	<b>VISION 6000</b> (VISION 6000-T)	<b>VISION 8000</b> (VISION 8000-T)
Axis motions in mm	X	4,300	6,800	9,300
	Y (Y-T)	1,720 (2,320)	1,720 (2,320)	1,720 (2,320)
	Z	480	480	480
Feed speed max in m/min	X	60	60	60
	Y	60	60	60
	Z	40	40	40
Machine weight approx	in kg	7,500 (9,000)	9,500 (11,000)	11,500 (13,000)
Machine execution	Grooved table, plane table, beam table (manual and automatic), customised solutions			
Working heads	Cardanic 5-axis working heads with up to two additional 3-axis working heads			
5-axis working head	Performance 15.0kW (S1) / 18.0kW (S6), optional higher performance on request Revolutions programmable from 500 – 24,000rpm, tool fixture with hollow cone shank HSK 63-F			
3-axis working head	Performance 15.0kW (S1) / 18.0kW (S6), optional higher performance on request Revolutions programmable from 500 – 24,000rpm, tool fixture with hollow cone shank HSK 63-F			
Tool changer	Tool changer plate with 7 places (moving in X-, Y-, Z- and C-axis) Tool changer plate with 8 places (moving in X-, Y- and Z-axis) Tool changer plate with 22 places or chain magazines with 36 / 60 places, optional with pick-up for tools with a maximum diameter of 450mm.			
Multi-spindle drilling head	Multi-spindle drilling head with 19 drilling spindles and free C-orientation, 15 vertical drilling spindles + 4 horizontal drilling spindles only in connection with 5-axis working head			
Specials	Pneumatical stroke and height adjustable extraction hood with directed air circulation			
Additional equipment	Vacuum system 250 m <sup>3</sup> /h, chip conveyor belt, stops, supporting beams, clamping elements, vacuum pods, jig for newel posts, special clamping devices, tool identification system, laser projector, modem for telediagnosis, Barcode scanner, user software for the graphically program development for manufacturing stairs and furniture, registration of machine data			
Control	Siemens Sinumerik 840D sl (Solution Line)			

### Reichenbacher Hamuel GmbH

Rosenuer Straße 32 · D-96487 Dörfles-Esbach  
Tel.: +49 (0)9561-599-0 · Fax: +49 (0)9561-599-199  
info@reichenbacher.de · www.reichenbacher.com