



Reinbold
Entsorgungstechnik



„BEAR“ FORCE AND RELIABILITY

SINGLE SHAFT SHREDDER

**AZR 600 -
AZR 2000 Gigant**

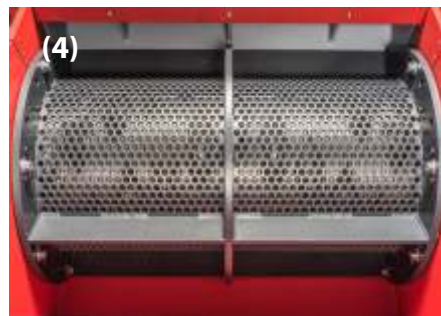
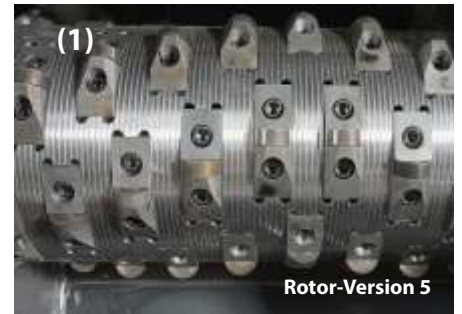




Compact Single Shaft Shredders: of the AZR 600 - AZR 800 S series



- (1) The rotor shaft is made of solid steel. Adjustable cutting gap between rotor and counterknife (optional)
- (2) Hydraulic feed to ensure constant material feed to the rotor
- (3) Hydraulic cylinders suspended by cardanic joints prevent shortening of piston cup service life
- (4) Range of different screen mesh sizes for required chip size depending on material and task
- (5) Security package with gear end limit switch and reverse counter



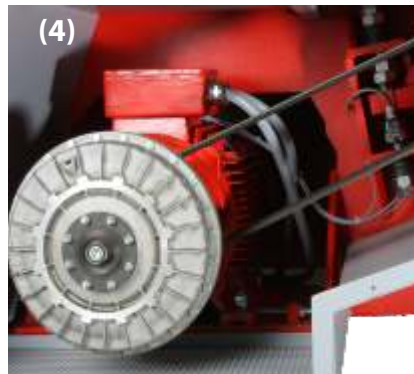
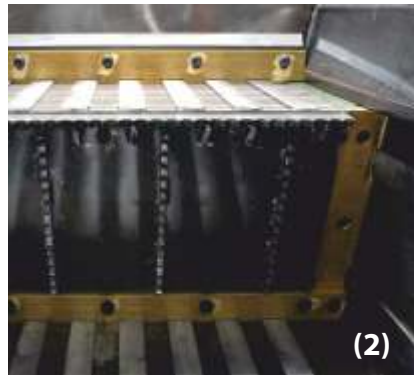
Type		AZR 600	AZR 800	AZR 800 S	AZR 1000
Hopper opening	(mm)	600 x 800	800 x 1,000	800 x 1,200	1,000 x 1,000
Hopper volume	(m ³)	0.6	0.9	1.1	1.0
Throughput rate		depending on the type of material and screen used			
Rotor-Ø	(mm)	252	252	354	252
Rotor speed	(approx. rpm)	90	90	90	90
Power consumption	(kW)	15/18.5	18.5/22	22/30/37	18.5/22
Tools V5+V7	(Pcs.)*	15/30	20/40	20/40/60	25/50
Screen perforation	(mm)	10-40	10-40	10-40	10-40
Suction port-Ø	(mm)	160	200	200	200
Air speed	(m/sec.)	28	28	28	28
Weight	(approx. kg)	1,300	1,500	2,000	1,900

* Number of blades on rotor version 8 on request.



with optional cooling

High-power shredders: the AZR 1000 - AZR 2000 S series



The following parameters are applicable to all machines of the AZR series:

Perforation size:

The standard size is 15/20 mm.

Optional sizes (mm):

10/12, 12/15, 20/25, 25/30, 35/40

Special sizes on request.

Throughput rate:

This parameter depends on the type of material being processed (long, short, wet, dry, etc.) as well as on the size of the screen perforation.

A machine usually processes between two and four hopper fillings per hour.

Removal of chips:

For this purpose you can use a suction plant, a conveyor screw or a conveyor belt. The minimum air speed for suction plants is 28 m/s.

Options:

- (1) = Movable screen cage
- (2) = 4-sided segmented floor, serrated plate and serrated rail
- (3) = Delivery by worm screw
- (4) = Turbo clutch from 30 kW

Type		AZR 1000 S	AZR 1300 S	AZR 1500 S	AZR 1800 S	AZR 2000 S
Hopper opening	(mm)	1,000 x 1,200	1,300 x 1,200	1,500 x 1,500	1,800 x 1,500	2,000 x 1,500
Hopper volume	(m ³)	1.25	1.65	2.3	2.8	3.0
Throughput rate		depending on the type of material and screen used				
Rotor-Ø	(mm)	354	354	354	354	354
Rotor speed	(approx. rpm)	90	90	90	90	90
Power consumption	(kW)	30/37/45	37/45/55	37/45/55/75	45/55/90	45/55/90
Tools V5+V7	(Pcs.)*	25/50/75	33/66/99	37/74/112	2 x 45 / 2 x 55	2 x 45 / 2 x 55
Screen perforation	(mm)	10-40	10-50	10-50	10-50	10-50
Suction port-Ø	(mm)	200	250	250	250	250
Air speed	(m/sec.)	28	28	32	32	32
Weight	(approx. kg)	2,800	3,800	4,500	5,800	6,500

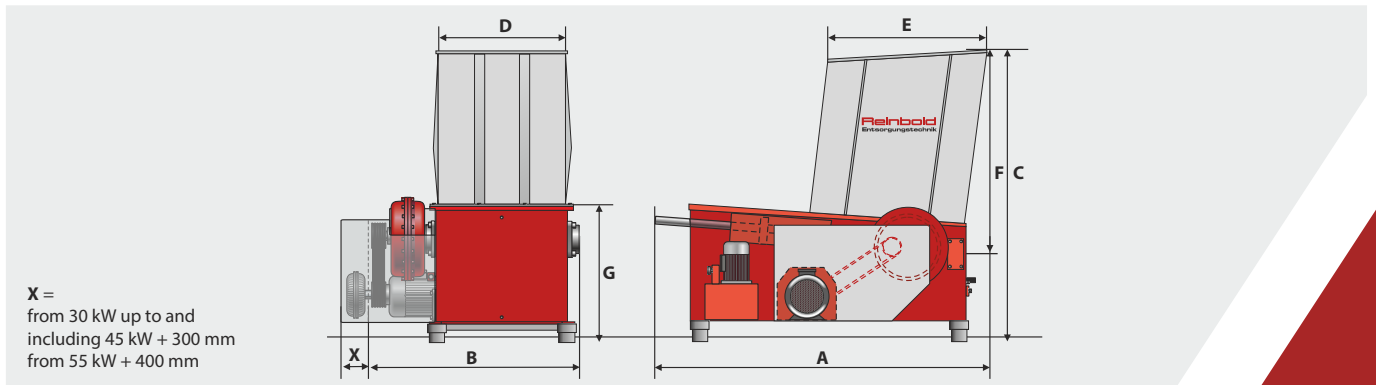
* Number of blades on rotor version 8 on request.



For industrial applications: the AZR Gigant series



Specifications: Dimensions of the AZR Series

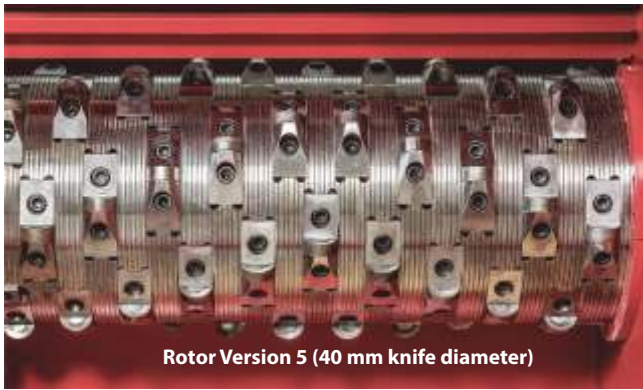


Type	AZR 600	AZR 800	AZR 800 S	AZR 1000	AZR 1000 S	AZR 1300 S
Size A (mm)	1,850	2,250	2,650	2,300	2,550	2,600
Size B (mm)	1,200	1,350	1,440	1,600	1,600	1,950
Size C (mm)	1,640	1,640	1,730	1,640	1,730	1,730
Size D (mm)	600	800	800	1,000	1,000	1,300
Size E (mm)	800	1,000	1,200	1,000	1,200	1,215
Size F (mm)	1,090	1,090	1,020	1,090	1,030	1,030
Size G (mm)	740	740	1,000	740	990	945

Type	AZR 1500 S	AZR 1800 S	AZR 2000 S
Size A (mm)	3,200	3,100	3,200
Size B (mm)	2,200	2,550	2,800
Size C (mm)	1,730	1,730	1,730
Size D (mm)	1,500	1,800	2,000
Size E (mm)	1,500	1,500	1,500
Size F (mm)	1,030	1,030	1,030
Size G (mm)	990	990	990



The circular knife system: Cutting knives that lower your operating costs!

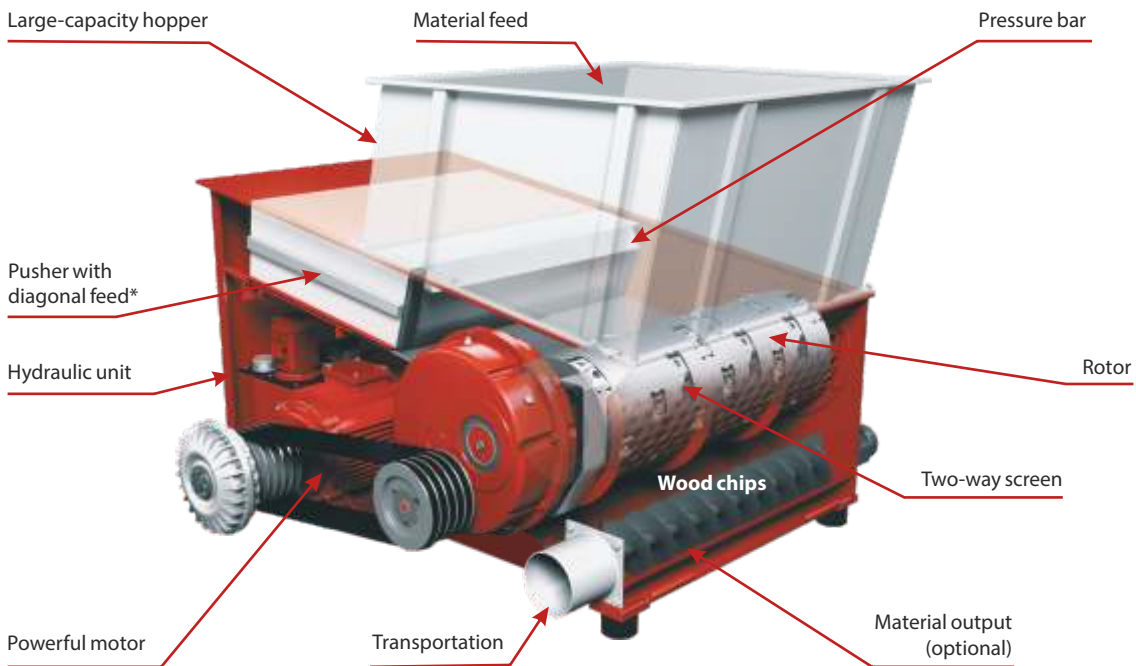


The highly efficient scissors cut of the concave ground circular cutting heads provide a very high work rate with very little effort. The knife holders are welded or mounted on the rotor and the round knives can be turned up to **8 times** with just a few adjustments before having to be exchanged completely. The use of various types of knives enables job-related adjustment of the shredder to the material being processed.

*** New at Reinbold:** The outer broaching knife, are replaced by the circular knife V8. This promotes a uniform crushing of materials over the entire length of the rotor.

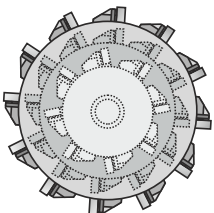


The functionality of the Single Shaft Shredders:



* The wood chips fall into the rotor faster by force of gravity

The different diameters of the rotors:



Different rotor diameters for different applications:
 with 252 mm diameter for smaller applications
 with 354 mm diameter for higher throughput
 with 500 mm diameter for very high throughput

As larger the wrap angle of the rotor the higher is the throughput.



Machines from the Reinbold product line:



AZR 600 K - AZR 2000 S K Gigant Series:
The single shaft shredder for effective plastics shredding



RLZ 400 - RHZ 1300 S Series:
The horizontal shredder with horizontal material feed



RMZ 500 - RMZ 1000 S Series:
The four-shaft shredder that is ideal for shredding long stock



RB 20 SV - RB 60 SV Series:
The small but powerful briquetting press



RB 100 - RB 300 Flexible S Series:
For briquetting chips and dust



RB 400 RS Series:
For the industrial production of square briquettes

Drawing on its many years of experience, Reinbold, with its broad range of machines, is able to offer ideal solutions for different applications in material shredding and briquetting. Our testing facility is available to perform tests on your material.

Reinbold Entsorgungstechnik GmbH

Robert-Mayer-Strasse 5
74360 Ilsfeld (Germany)

Phone: +49 (0) 7062 / 97885-0

Fax: +49 (0) 7062 / 97885-50

info@reinbold.de

www.reinbold.de

Your dealer:

