

CL63TS

TWIN OVERHEAD WIDE BELT SANDER

Specifications

| | |
|--|--|
| Max. workpiece width | 630 mm |
| Max. workpiece thickness | 160 mm |
| Size of abrasive belt | 2150×640 mm |
| Calibrating belt speed | 22 m/sec |
| Sanding belt speed | 18 m/sec |
| Calibrating motor | 14,7 kW (20 HP) |
| Sanding motor | 11 kW (15 HP) |
| Table raising and lowering motor | 0,4 kW (0,5 HP) |
| Feed motor | 1,1 kW (1,5 HP) |
| Feed speed (constantly variable) | from 4,5 to 23 m/min |
| Working pressure | 6 atm |
| Air consumption | 200 nl/min |
| Exhaust air for each hood \varnothing 160 mm | 1000 m ³ /h |
| Net weight | 2080 Kg |
| Overall measurements | 1270×2050×1910 mm (4,98 m ³) |
| Gross weight with seaworthy packing case | 2380 Kg |
| Overall measurements of seaworthy packing case | 1860×1610×2270 mm (6,8 m ³) |

Optionals

Calibrating motor up to 25,8 kW (35 HP)
 Sanding motor up to 18,5 kW (25 HP)
 Blowers for cleaning belts of 1st - 2nd group (compressed air consumption 380 nl/min)
 2 speed motor (thickening and sanding group)
 Vacuum table
 Brushing roller
 Buffing roller (scotch - brite)
 Motors IP 54 class
 Rear emergency mushroom button

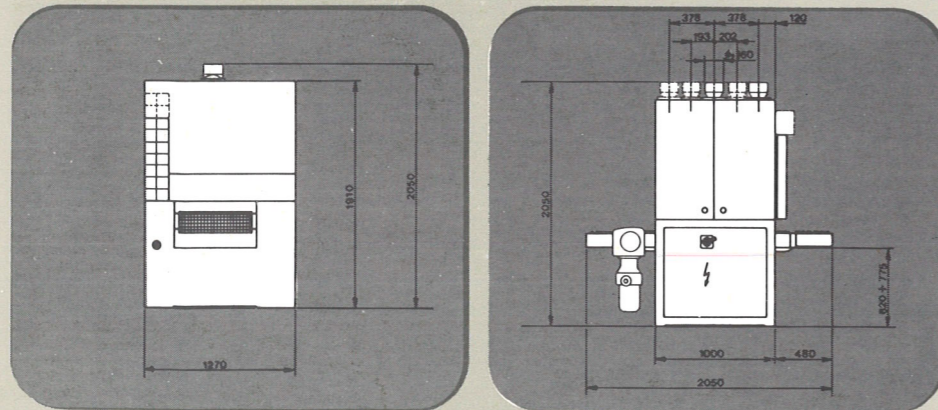
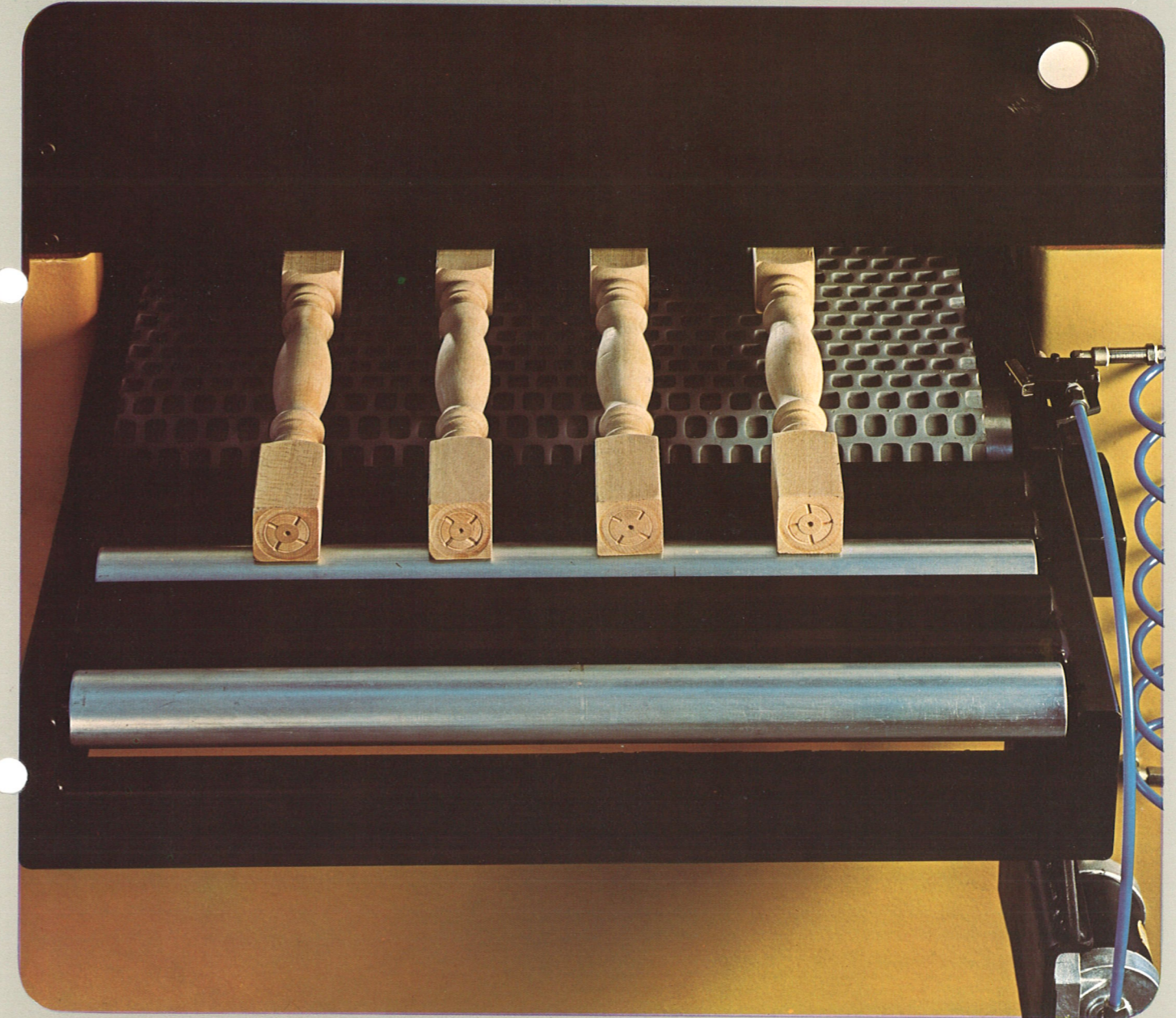
Calibrating roller is coated in helical ribbed rubber for long operating life of abrasive belts.

Automatic tracking of feed belt ensures accuracy without operator's intervention.

Belt cleaning blowers, adjustable in speed and translation, are placed on top of group for improved cleaning efficiency.

Automatic star delta starting on main motors.

Vertical adjustment of table is electrically operated for quick read - out whilst fine adjustment is carried out by handwheel.



The illustrations and the data contained in this brochure are not binding. SCM reserves the right to make changes for technical, commercial and organizational reasons, the main characteristics of the machines remaining unaltered. In addition the parts added, such as the protections, accessories, etc. can differ to conform to the laws and special requirements of the countries to which the machines are to be supplied.

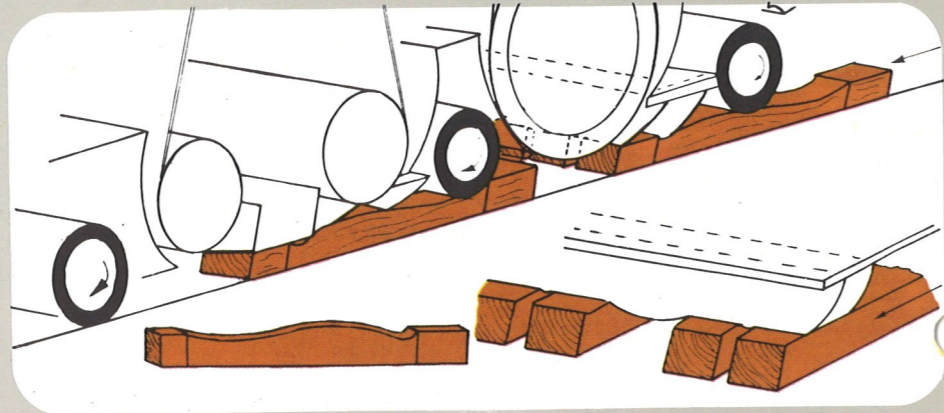


SCM International S.p.A.
 47037 RIMINI - ITALY - VIA EMILIA 77
 Tel. (0541) 700111 Telex 550142



CL63TS

TWIN OVERHEAD WIDE BELT SANDER

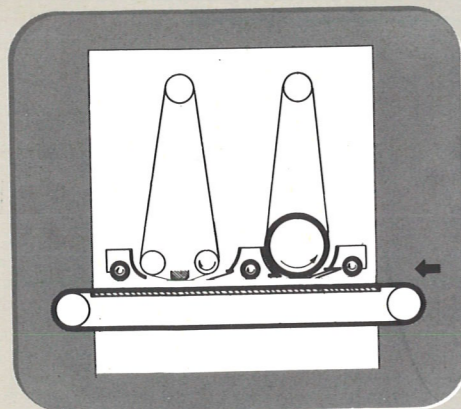


For machining of short components

The CL 63TS is equipped with a particular strap presser fitted with motorized rollers coated in soft rubber for contemporary machining of batches of wood strips with slight difference in thickness and of limited length.

The straps reduce distance between pressers enabling short pieces to be machined and their elasticity compensates eventual thickness discrepancies.

The first motorized roller, coated in particularly soft rubber enables constant feeding, even when dealing with components of slightly different thickness.



Safe and easy to use

The control board is characterized by the differently coloured groups chosen to enable an immediate identification and visive control of all the operating devices.

The CL 63TS is equipped with cut - outs to protect main motors from overloads or operating errors.

Specially designed belt insertion guide ways plus simple blocking of groups help to reduce replacement times.



Easier for setting up

Pneumatic units enable setting and visualizing of suitable abrasive belt tension.

Rational and practical hand grips with graduated scale for roller and pad regulation.

Pneumatic installation centrally placed, enables simple and rapid servicing.



The CL 63TS is a calibrating sander planned to machine solid wood and short components.
It is particularly suitable for calibrating and sanding chair or furniture components.