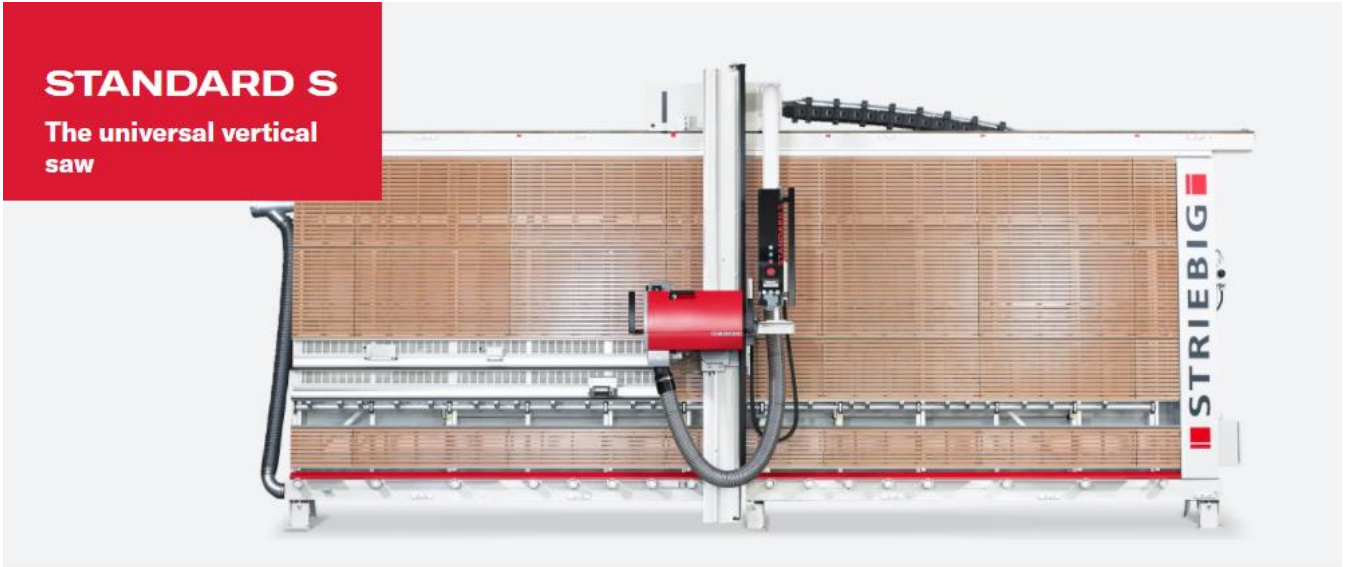


STANDARD S

The universal vertical
saw



STRIEBIG STANDARD S – the world's best-selling vertical panel saw

The STANDARD S complements this success story. It combines proven technology with new technology. With the two versions TRK1 and TRK2, as well as the recommendable equipment with the attractive Comfort Package, it offers a wide range of possibilities.

Highlights of the STRIEBIG STANDARD S

The legend lives on, the name is a pledge

The STANDARD S adds another chapter to the STRIEBIG success story. Highest quality of the processed materials as well as easy handling are guaranteed with the STANDARD S.

Versatility meets pedigree

With the STANDARD S we are opening up a new dimension to the benefits for hand-guided sawing.

Two versions, a Comfort package with extended basic configuration and over 20 additional options and accessory components take the STANDARD S to a new level.



Precision thanks to stability

Self-supporting, welded and rigid, the saw frame is the heart of every STRIEBIG panel saw.

Upper guide rail, central support and roller support are perfectly parallel to each other. This guarantees you many years of cutting precision and a high-level of investment security.



Comfort package

The recommended Comfort equipment (optional)

- Pneumatic clamping of the motor carriage
- Digital measuring system DMS-Y, incl. fine adjustment
- Pneumatically braked support rollers
- Laser-supported display of the horizontal cut



The universal vertical saw

Precision meets comfort. Functions of the STANDARD S have been consistently expanded. With this woodworking machinery, hand-guided saws reach a new dimension of use.

Standard equipment

Comprehensive standard equipment

- Solid, self-supporting, welded, rigid saw frame
- Sturdy, durable saw beam steel construction
- Robust bearing of the motor carriage ensures high cutting precision
- Powerful, high-torque 5.5 kW motor (7.5 HP)
- TRK dust extraction
- Model TRK 1 with automatically yielding wooden support wall
- Model TRK 2 with automatically yielding aluminium slatted frame and plastic supports
- Device for wall mounting
- 17-fold roller support with 3 brake pedals (model 6224)
- Strip cutting gauge for repeat cuts
- Program cam button for recurring dimensions
- Small workpiece support made of wood
- Super-silent noise insulation to reduce saw blade noise
- Electromagnetic motor brake

Technical specifications

Weight of the saw	approx. 1.100 kg
Cutting depth	80 mm
Saw motor power	5.5 kW (7.5 HP)
Saw blade diameter	300 mm
Saw blade bore	30 mm ^{*1}
Emission sound pressure level at the workplace L _{pA}	83 dB ^{*2}
Saw blade speed	4800 rpm
1 extraction connection	ø 140 mm
Compressed air connection	6-10 bar ^{*3}
Wattage	7.5 kW
Network connection	3 x 400 V / 50 Hz

*1 with 2 side holes Ø 9 mm, radius 30 mm ·

*2 measurement standards and emission values in accordance with EN 1870-14, measurement uncertainty allowance K = 4 dB (A).

*3 Compressed air connection only required for options (all specifications refer to the STANDARD S Type 6224)

For all machines:

Powerful TRK dust extraction significantly below 2 mg/m³. The system used must have an extraction performance of 20 m/s in order to meet the TRK specifications. (Vacuum approx. 1400 Pa. / COMPACT approx. 1470 Pa) at the connector in order to meet the TRK specifications.

Technical note:

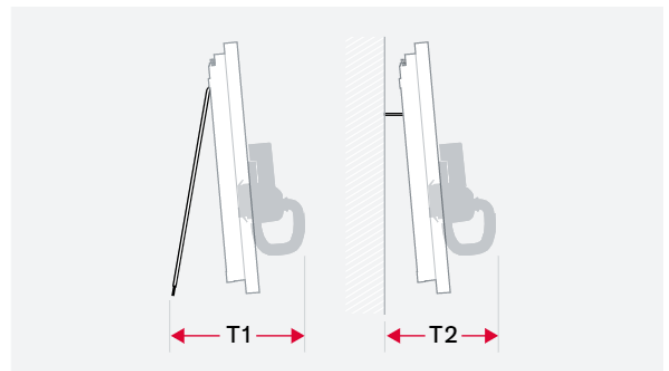
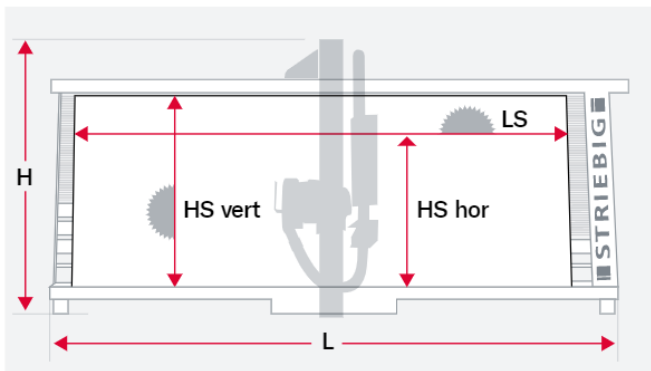
Permissible ambient temperature min: + 5 °C / max. + 40 °C

Relative humidity: 19 - 95% without condensation

In case of mains fluctuations greater than +/- 10% of the nominal voltage, a voltage stabiliser must be installed at the place of use.

The technical specifications are approximate values.

We reserve the right to make changes due to further developments.



Dimensions in mm

Type	L	H	T1 free	T2 Wall
6224	6626	3055	1766	1383
6216	6626	2971	1730	1376
6168	6626	2497	1525	1334
5224	5626	3055	1766	1383
5216	5626	2971	1730	1376
5168	5626	2497	1525	1334
4224	4626	3055	1766	1383
4216	4626	2971	1730	1376
4168	4626	2497	1525	1334

Cutting area in mm

Type	LS	HS vertical	HS horizontal
6224	5300	2240	2100
6216	5300	2160	2016
6168	5300	1680	1540
5224	4300	2240	2100
5216	4300	2160	2016
5168	4300	1680	1540
4224	3300	2240	2100
4216	3300	2160	2016
4168	3300	1680	1540