



SUPER 400/500

High Precision Surface Planers



■ Extra Long Tables

For highly accurate machining and straightening

■ Table Rise and Fall

Rapid effortless counterbalanced lever adjustment

■ Depth Read-out Scale

For accurate and easy table setting

■ Grouped Controls

Reduce operator fatigue

■ Minimum Maintenance

Sealed for life bearings

■ Accurate Fence

Easily and precisely positioned by the optional rack and pinion

■ Full Cutter Guarding

Designed for safe operation

■ Simple Cutter Setting Device

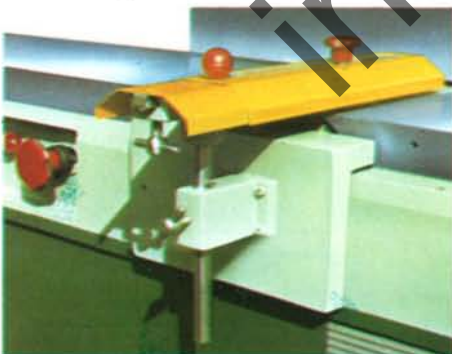
Less 'downtime', increased production

■ Slotted Lip Plates

Reduces noise

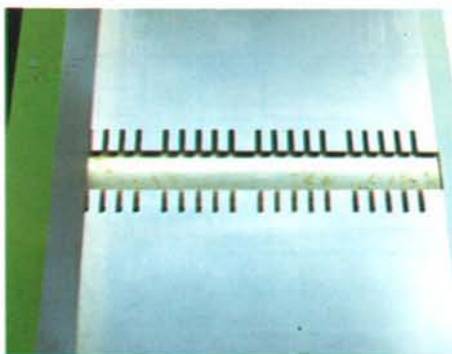
■ Robust, Built to Last

Will give years of service



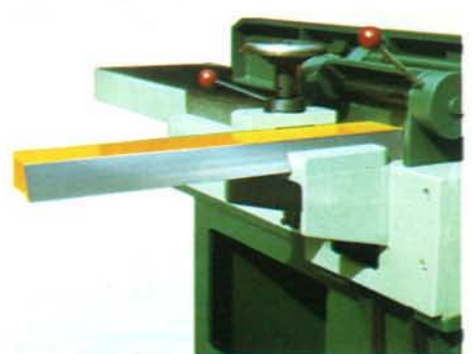
Cutterblock Guards

The standard front guard is easily adjusted and the rear guard automatically covers the cutterblock when fence is positioned. A unique feature ensuring absolute safety.



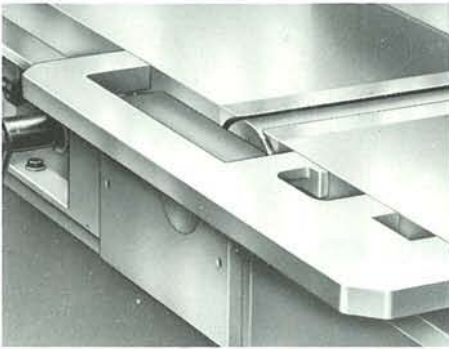
Four Knife Cutterblock

Circular cutterblock with simple cutter setting device for quick adjustment. Slotted lip plates reduce noise.



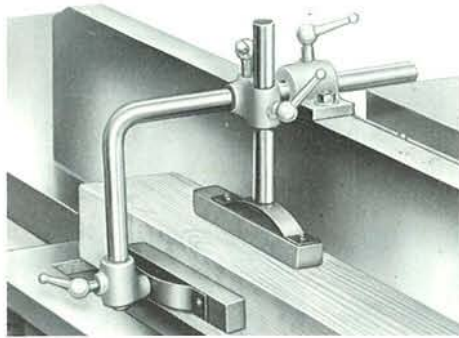
The Fence Unit

Rapid and fine adjustment on an optional precision rack and pinion slide allows accurate easy positioning. The extra long rigid fence plate tilts to 45° and provides perfect control at all times.



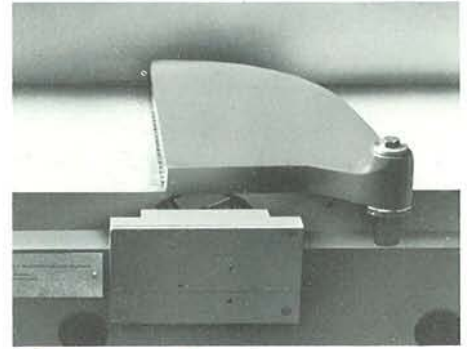
***Rebate Table**

Designed to provide rigid work support. Makes rebating easier and more accurate.



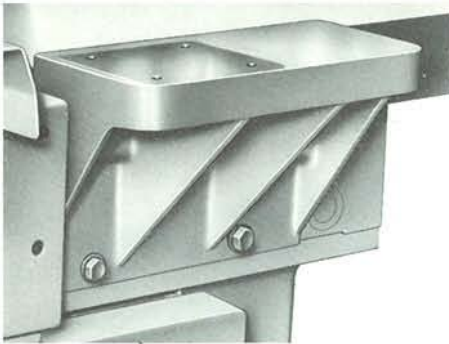
***Shaw Guard**

In the interest of safety a Shaw guard must be fitted when rebating.



***Boomerang Guard**

The guard completely covers the cutterblock and has a spring loaded self return feature. It can be fitted to meet certain overseas safety requirements.



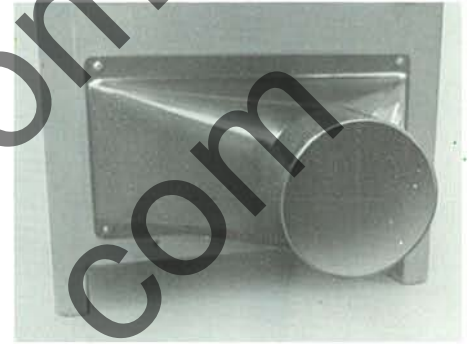
***Support Bracket**

Does not reduce capacity when fitted with BLG 8 powerfeed unit which considerably increases production.



***Tungsten Tipped Cutter Inserts**

Widens the scope of the machine, as difficult materials, eg. chipboard, formica etc., can be edged.



***Dust Outlet**

Machine can be connected to existing chip extraction system, a saving in cost. Outlet diameter 150mm (6in).

Cutter Block Wedges

Adjustable for height effectively reducing the hook angle on knife for improved finish on difficult mahogany type timbers.

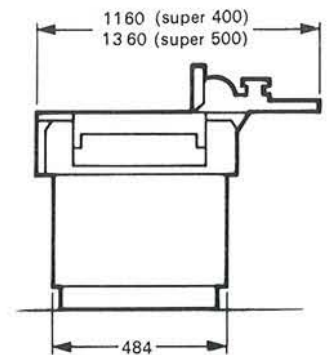
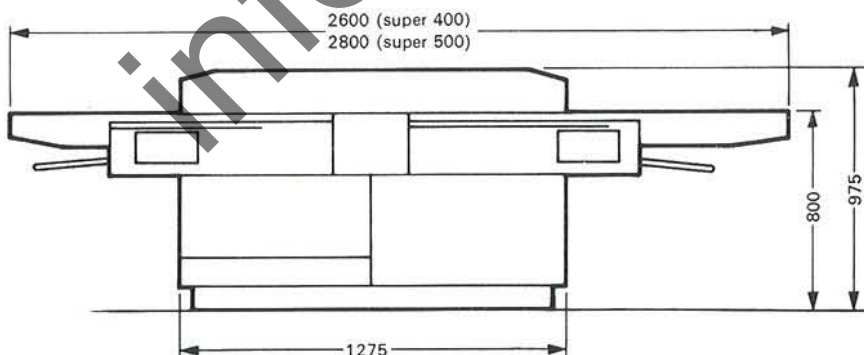
Electrically Safe

No volt release and overload protection ensure complete electrical safety.

Specification

	Super 400		Super 500			Super 400		Super 500	
Table width	15 3/4 in	400mm	19 1/2 in	500mm	Overall height of machine	38 in	975mm	38 in	975mm
Length of infeed table	57 in	1440mm	61 in	1540mm	Cutterblock speed	4200 rev/min		4200 rev/min	
Length of outfeed table	45 in	1138mm	49 in	1238mm	Cutting circle diameter	4 3/4 in	120mm	4 3/4 in	120mm
Overall length of machine	102 in	2600mm	110 in	2800mm	Maximum depth of rebate	3/4 in	20mm	3/4 in	20mm
Table height from floor	31 1/2 in	800mm	31 1/2 in	800mm	Motor	4hp	3kW	4hp	3kW
Length of fence	43 in	1100mm	43 in	1100mm	Net weight	1400lb	635kg	1764lb	800kg
Height of fence	6 7/8 in	175mm	6 7/8 in	175mm	Gross weight	1543lb	700kg	1929lb	875kg
Fence will cant to	45°		45°		Shipping dimensions	76cu.ft.	2.15m ³	91cu.ft.	2.58m ³

***Optional extras**



SALES

WADKIN PLC.
Green Lane Works, Leicester LE5 4PF, England
Telephone: 0533 769111 Telex: 34646 (Wadkin G)
Telegrams & Cables: Woodworker, Leicester, Telex

SERVICE

BURSGREEN (COLNE) PLC.
Lodge Holme, Trawden, Nr Colne, Lancs.
Telephone: (0282) 866717 Telex: 635032

As our policy is constantly to improve the design of Bursgreen woodworking machinery, the details given in this leaflet are not to be regarded as binding.