

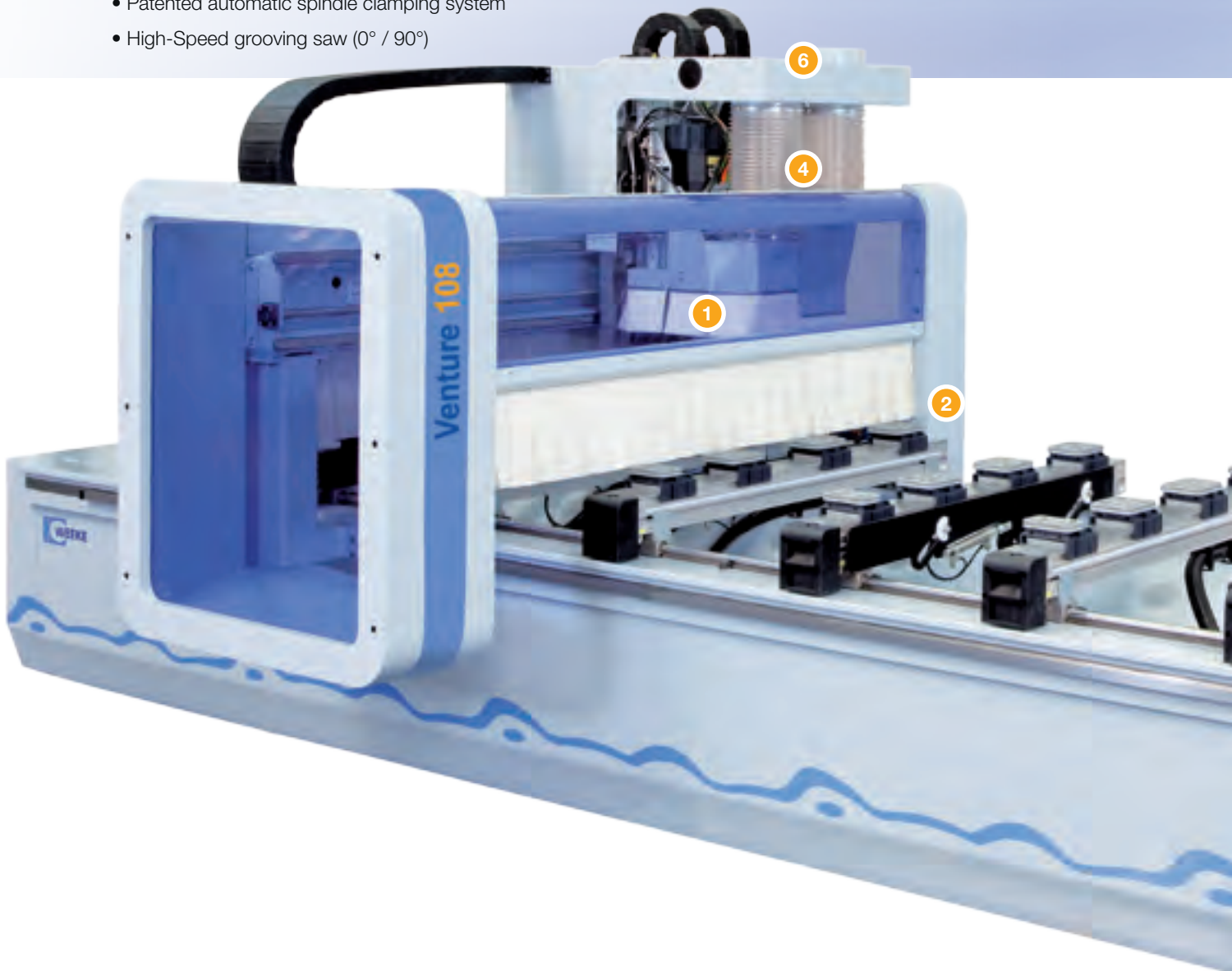
CNC-Processing Center Venture 108



Venture 108

Highlights:

- **Routing dimension in Y direction: 1550 mm**
- Vector speed X/Y 80 m/min
- Simple positioning of the vacuum cups through the pin laser
- 24 vacuum cups in standard version
- K-table – tubeless vacuum clamping system
- Second row of stops in standard version
- Electronic surveillance of all stops
- High-Speed 7500 – 18 drilling spindles (12 vertical / 6 horizontal)
- Patented quick change system for the vertical spindles
- Patented automatic spindle clamping system
- High-Speed grooving saw (0° / 90°)
- 12 HP (9 kW) HSK routing spindle
- C-axis 360°
- FLEX5 interface (optional)
- 16 places for tool changing (2 x 8)
- Tool pick-up station
- Program-controlled extraction connection for an optimum extraction behavior
- 2 CNC-controlled Z-axes
- Software bundle for machine and PC
- Toolbox »STARTER KIT«





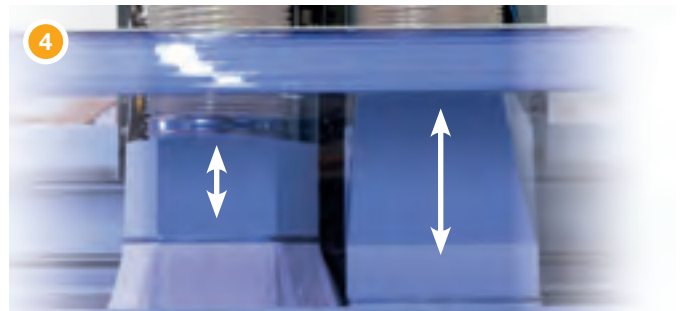
Configuration

- Powerful 12 HP (9 kW) HSK routing spindle
- 1 C-axis 360°
- 12 vertical drilling spindles
- 6 horizontal drilling spindles
- 1 grooving saw Ø 125 mm (0° / 90°)



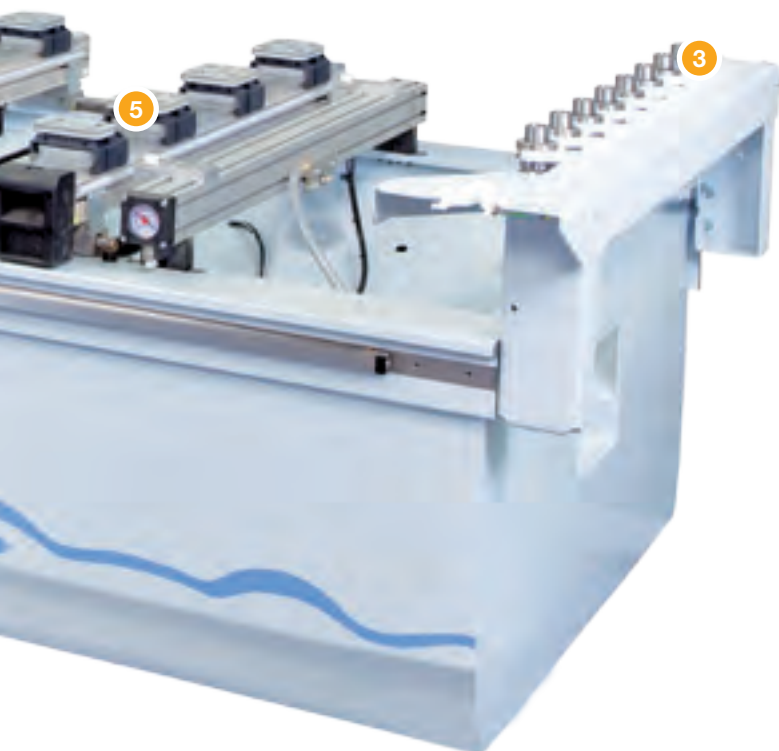
2 tool changing systems in standard version

- 8-fold tool changer moving in X-direction
- 8-fold tool changer (pick-up)



2 CNC-controlled Z-axes

- Optimal dust extraction and bigger operative range for processing aggregates
- Weight distribution of the mass (processing aggregates) to the two Z-axes → more stability, higher processing quality



Electronic cylinder surveillance

Enhanced security with the electronic surveillance of lower cylinder positions at all integrated stops



Program-controlled extraction connection

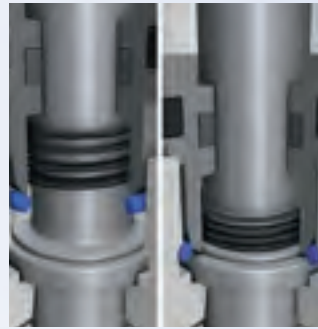
Ensures an optimum extraction behavior

All inclusive | Hardware



High-Speed 7500

Spindles with 1500 - 7500 RPM incl. the patented quick change system



Automatic spindle clamping system

Patented system for exact drilling depth at any time with different materials



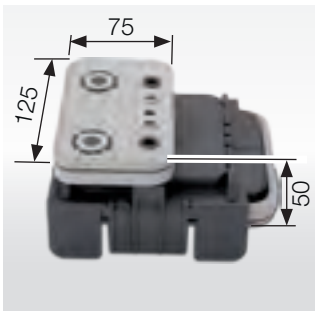
Workpiece feeding rail

4 solid feeding rails to ease »sheeting« of heavy workpieces



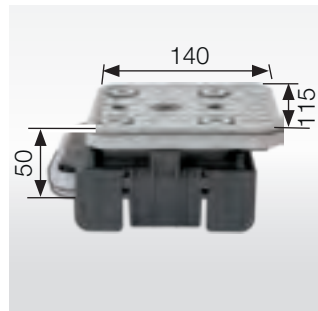
K-table

Tubeless vacuum clamping system



Vacuum cups

6 narrow vacuum cups



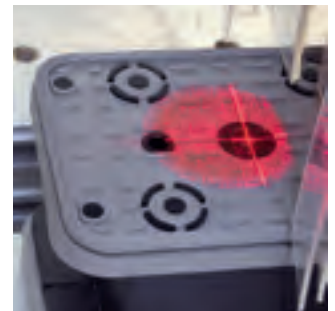
Vacuum cups

18 vacuum cups



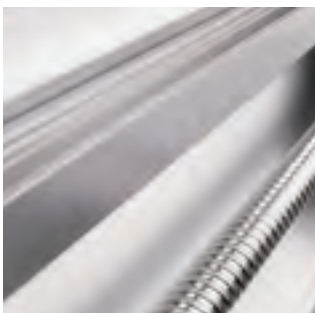
Sealed energy cable

Secure and protected cable guide (X-Y-Z)



Laser positioning

Simple positioning of the vacuum cups through the pin laser



Linear guiding system

Sealed »long-life« linear guiding system



Tool pick-up station

Secure and quick fitting of the tool changer



Toolbox »STARTER KIT«

Top equipment – from the very start

All inclusive | Software



powerControl

- 17" TFT-monitor
- Intel®Core™ 2 Duo Processor
- Provision teleservice capability
- USB frontside bus
- Ethernet connection 10/100 Mbit
- Ergonomic hand terminal
- Position of the switch cabinet »freely selectable« (left/right)



Please use our website:

- Worldwide largest forum for woodWOP:
www.woodWOP-Forum.de
- Free Download of woodWOP-components:
www.weeke.com → **Products** → **Software**



woodWOP

- Modern software based on Windows®
- More than 30.000 installations worldwide



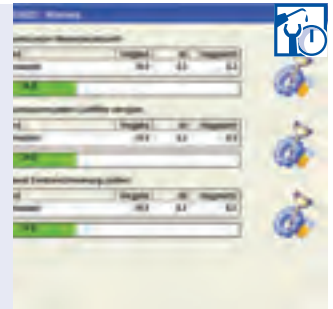
3D CNC-Simulator

- Simulates the processing in the order it is stored in the NC-program
- Allows time calculation
- Collision check of the vacuum cups



MCC

- Simple control of main machine functions through soft keys
- Graphical loading



Machine Data Recording

Machine Data Recording – collecting and evaluating machine states via time meter and event meter

Software | Machine



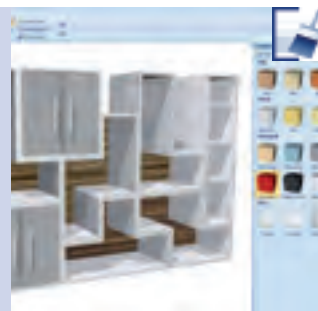
woodWOP

- Modern software based on Windows®
- More than 30.000 installations worldwide



woodAssembler

- To visualize woodWOP-programs (MPR) in 3D
- Enables the construction of individual workpieces to finished objects



woodVisio

- Objects generated in woodAssembler or Blum Dynalog can be provided with a surface material
- The objects are displayed in a free-standing position



woodWOP DXF Basic

- Interface for CAD-Data Import
- Basis to generate woodWOP programs

Software | Office

You may contact us – WORLDWIDE



Teleservice possibility via basic internet-connection
(TSN-possibility)
Competent spare parts service

WEEKE Communication:
Up-to-date information at all times:

www.weeke.com

Any questions, new ideas, criticism & praise to:

info@weeke.de

Options



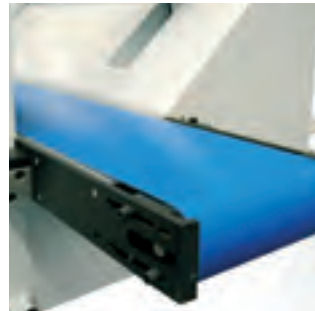
Air-conditioning

Air-conditioned cabinet



Multi clamping system

E.g. for frame and narrow parts



Chip conveyor

Chip conveyor integrated in the machine frame for disposing of the chips and waste parts



Tilting stops for veneer overhang

Guarantee simple positioning of panels with veneer overhang



Software

- woodWOP DXF Professional
- Machine Data Recording Professional



woodCAD/CAM

Creates reliability in the order and manufacturing process from the first sketch to the final product



Barcode connection

- Barcode scanner
- Supported barcodes:
 - 1D – Barcode
 - 2D – Data Matrix Code



CNC set-up trolley

- Processing tools and maintenance aids are centrally available
- Dimensions:
 - appr. 1190 x 600 x 900 mm
- Max. capacity load:
 - appr. 500 kg

Aggregates

FLEX5
.....

HIGH PERFORMANCE



High Performance Saws

Ø 220 mm



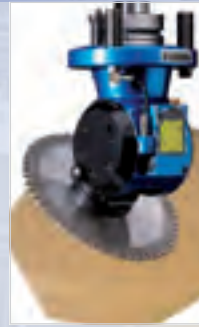
High Performance Drilling/Sawing/Routing

2 spindles,
Ø 220 mm



High Performance Cam box router

2 spindles,
Ø 16/20 mm

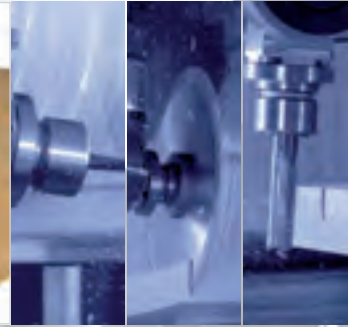


High Performance Drilling/Sawing

swivelling,
(0° - 90°),
Ø 180 mm



Drilling/Sawing/Routing



Drilling/Routing/Sawing

2 spindles,
220 mm



Drilling/Routing

4 spindles,
50 mm



Cam box router

2 spindles,
Ø 16/20 mm



Drilling/Sawing, swivelling –

(0° - 90°),
Ø 180 mm



Drilling/Routing, swivelling cranked –

(0° - 90°)



Tracing routing aggregate with tracing ring

Ø 70 mm |
130 mm



Corner notching



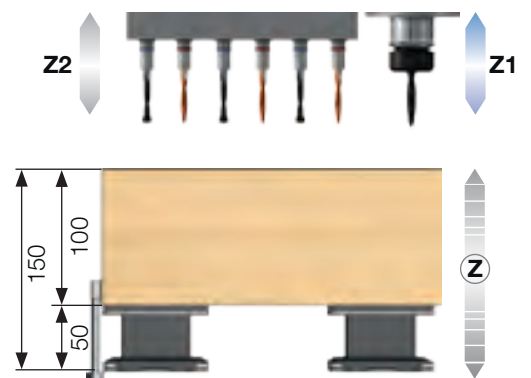
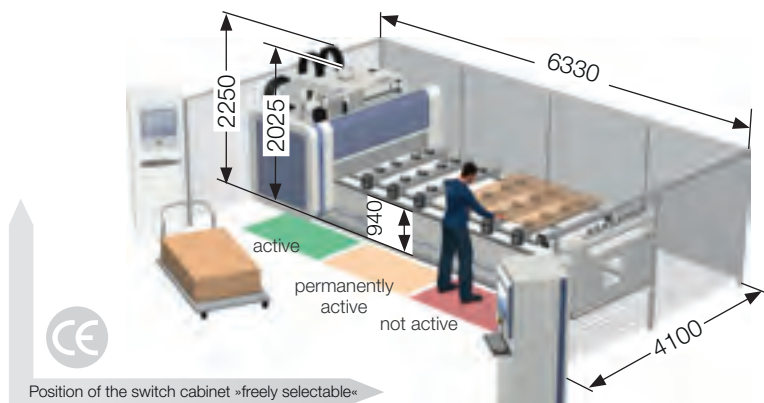
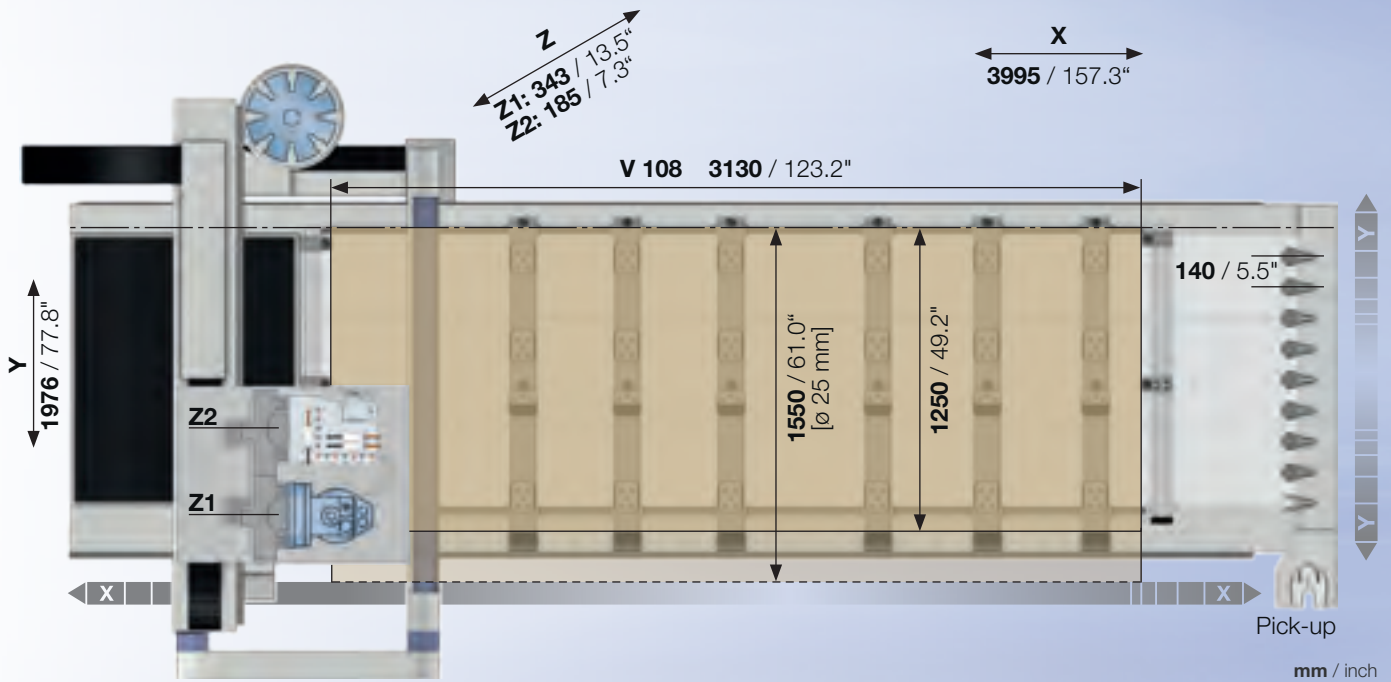
Drilling, 7 spindles –

25 mm pitch



Fitting drilling head, 3 spindles

Technical data



		X	Y	Z	
Working field	mm / inch	3130 / 123.2	1250 / 49.2	100 / 3.9	
Travel range	mm / inch	3995 / 157.3	1976 / 77.8	Z1: 343 / 13.5	Z2: 185 / 7.3
Two-field operation	mm / inch	1260 / 49.6			
Alternating operation	mm / inch	1000 / 39.4			
Vector speed	m/min	(X - Y) 80 - (Z) 20			
Compressed air connection	inch	R ½			
Compressed air required	bar	7			
Dust extraction port	mm	Ø 200			
Dust extraction volume	m ³ /h	min. 3170			
Total machine weight	kg	appr. 3700			
Electrical power – total connection load	kW	17,5			
Switch cabinet L - W - H	mm	800 - 800 - 1970			



**Choose the Original
Choose Success!**

For the Success of Original Technology
A VDMA Campaign

Equipment as described in this brochure is subject to technical changes and further developments. Some photos show options which are not included in the standard machine configuration. Technical data refer to standard equipment and are not binding for the order.

Member of the HOMAG Group



WECKE Bohrsysteme GmbH

Benzstrasse 10-16
33442 Herzebrock-Clarholz
GERMANY
Tel.: +49 5245 445-0
Fax: +49 5245 445-44 139
info@weeke.de
www.weeke.com