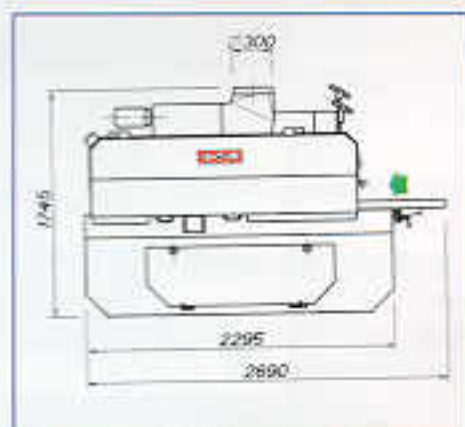
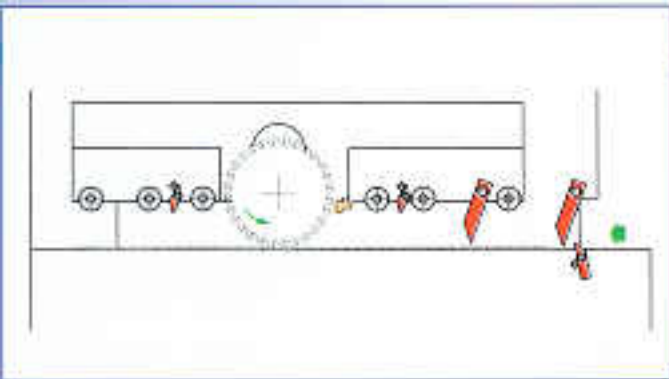


# sca 650 rt 700

Multi-rip saw with patented trimming group for one, two, three or four moving blades with cutting optimization programme

10

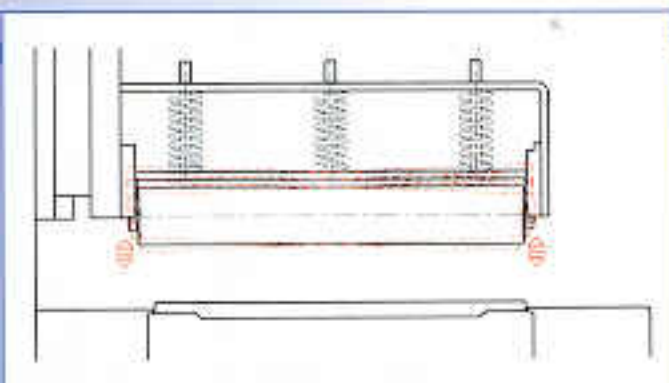




TOP ROLLERS GROUP raised automatically, with 6 independent hold-down rolls and a long wooden shoe placed between the blades. The splinterproof system consists of steel fingers distributed on 4 top rows (two of which acting as splinterproof and the other two as anti-kickback) and one bottom row.

The feed belt moves along 4 hardened steel guides. The cast iron pad (optionally of hardened steel) is fastened on a chain thus offering the following advantages:

- no stoppings on feeding track
- possibility of exerting high pressures on the plank without risk of overheating and wear on the guides (the chain turns on the guides)
- practical and low cost maintenance enhance its performance.



The rollers are guided at the side and they exert pressure over the entire width of the plank through three springs. This application also guarantees good holding of the planks which become curved after drying.

Feeding track is powered by a geared motor controlled by an inverter. Thanks to a potentiometer the operator can vary the feeding track speed checking it via relative display located on the control panel.



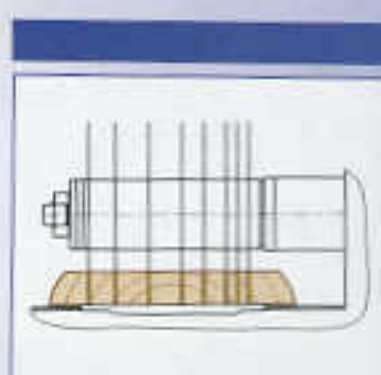
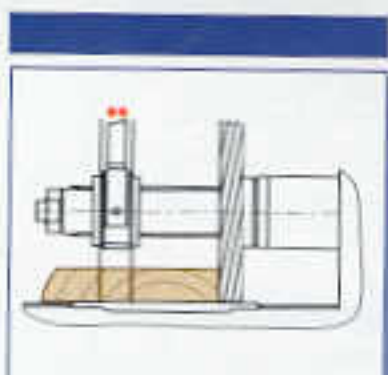
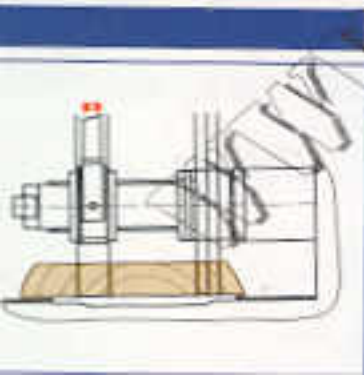
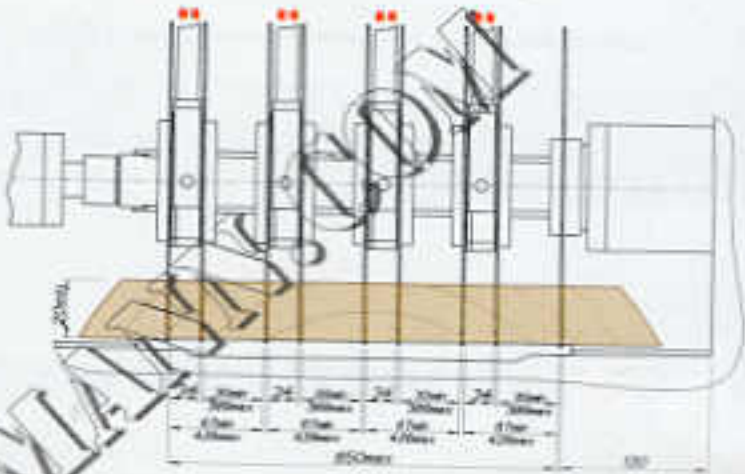
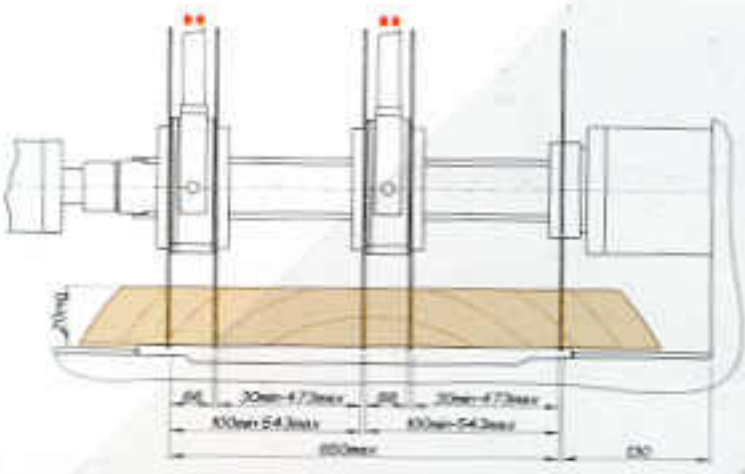
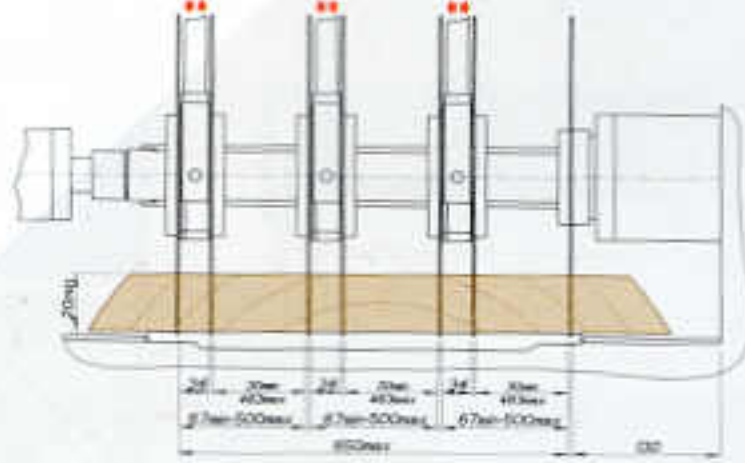
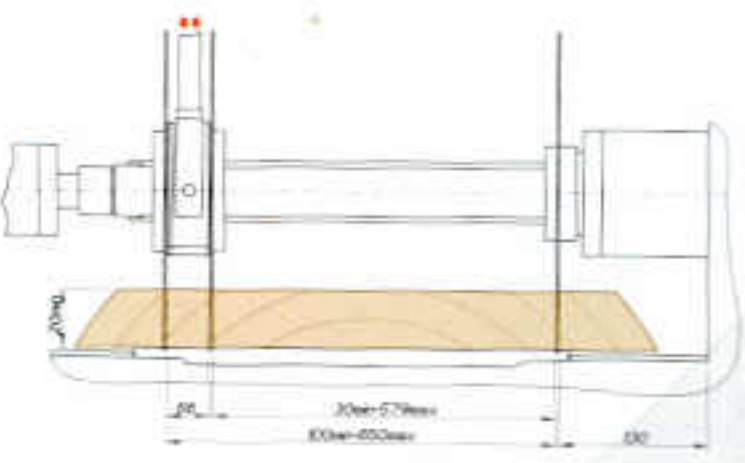
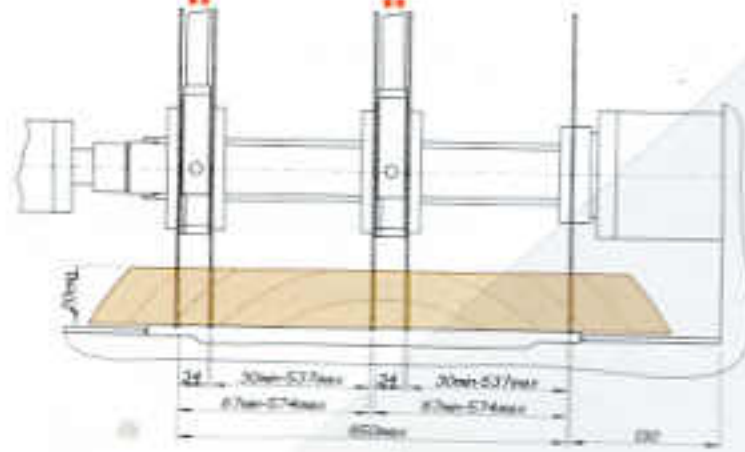
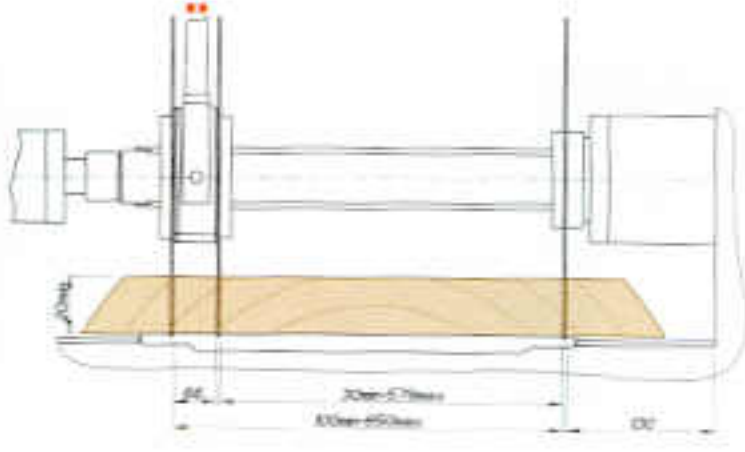
The timing belt drive guarantees high performance and reliability:

- drive flexibility (no mechanical failures)
- no possibility of slippage on the pulley with subsequent overheating (the belt teeth ensure optimum winding on the pulley).

Easy and practical operation clearly displayed via the control panel.



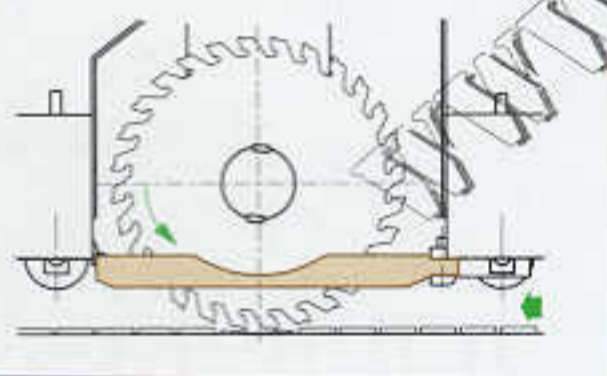
The ball-bearing support offers further stability to the spindle which is already oversized.





The in-house quality control and engineering ensure perfect balancing of the blade sleeve, therefore silent running also at maximum speed.

The chrome-plating of the external surface of the sleeve ensures perfect sliding of the moving blade and long working life.



When the machine is used for multi-ripping, the long wooden shoe allows perfect holding of the plank, even if warped in the blade compartment, thus preventing the blades from removing or splitting cracked or thin planks.

Machine lubrication is automatic. The oil distribution system supplies the single lubrication points in differential way at a pressure of 10 bar, thus ensuring maximum efficiency also against risk of clogging. The oil flow rate is with a fully electronic regulation and has several settings.



### sca 650 rt 700

Max. cutting thickness	mm 145 (130) ø blades 450 mm 120 (105) ø blades 400 mm 95 (80) ø blades 350
Min. length of workpieces	mm 750 (400)
Maximum width for passage boards	mm 1130 (1200)
Blade dia: minimum/maximum	ø 350 ÷ ø 450 bore 85 + 2 keys 20x6
Blade r.p.m.	3500
Distance column / centre of feed belt	mm 500
Feed belt width	mm 700
Work table dimensions: length/width	mm 2180 x 1040 (1110)
Height of work table from floor	mm 780
Feeding track speed	0-36 mt / 1' (0-50 mt / 1')
Motor power: minimum/maximum	hp 60-75-100-125 Kw 44-55-74-92
Motor power, feed belt	Kw 3
Motor power, raising head	0,75 kW
Shipping dimensions	cm 250x238x245