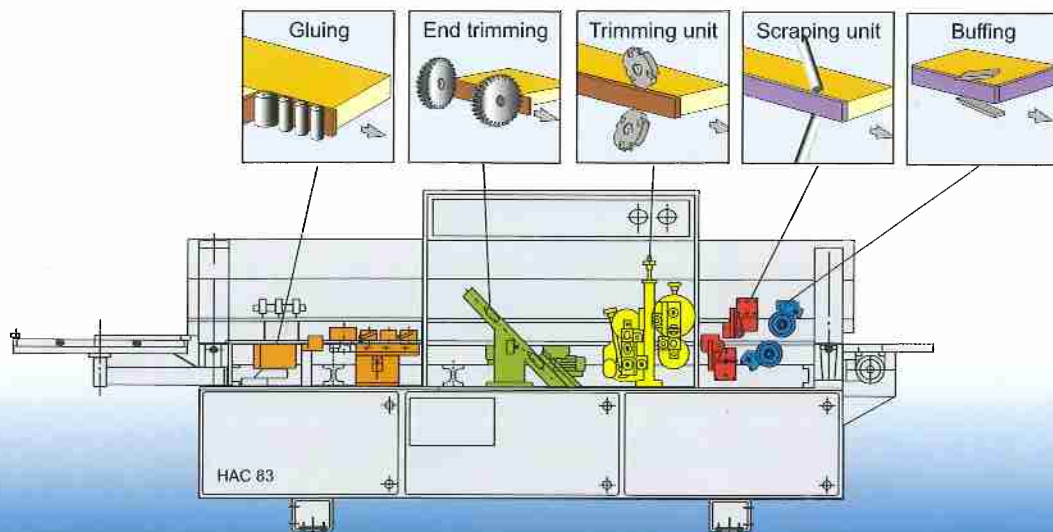


From Germany

— The leader of woodworking machinery in the world

Edge Banding Machine HAC 83 – OPTIMAT



HAC 83 – the new dimension for solid wood edges up to 12 mm thickness, PVC edges up to a thickness of 3 mm



Gluing



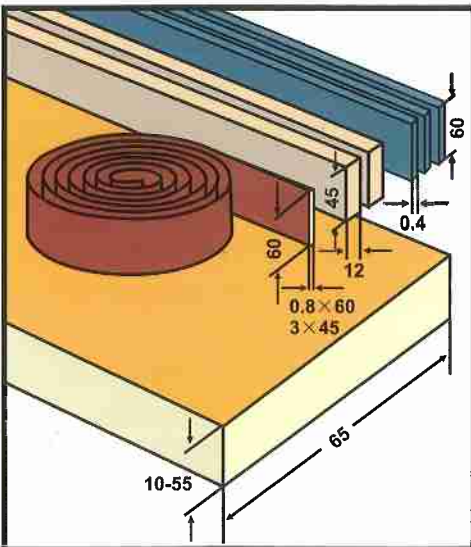
End trimming, Trimming, Scraping and Buffing

Functions

- End trim unit chamfer/straight for end trimming (front/rear)
Motor: 2×0.35 kW 200 Hz 12000 rpm with one set of trimming saws
- Trimming unit 0-25 degrees for rough & chamfer trimming of the top and bottom edge material
Motor: 2×0.55 kW 200 Hz 12000 rpm with combined circular cutters radius/straight
- Scraping unit for PVC edges with one set of reversible profile knives
- Buffing unit
Motor: 2×0.25 kW 50 Hz 2800 rpm with 2 mole-skin wheels
- Sound protection hood
- Static frequency changer
200 Hz 2.2 KVA
Electronic motor brakes for end trimming and trimming units
- Optional rough trimming unit

Advantages

- Strong machine bed
- Hot glue melt equipment fixed with electronic thermostat
- The glue roller can be selected to rotate with or against the workpiece feed direction
- Coiled materials could be fed and cut automatically
- Fixed length materials could be fed automatically
- Equipped with heavy duty guillotine for cutting thick PVC/ABS from the coil max. 3×45 mm.
- Heavy pressure zone with driven, pneumatically actuated main pressure roller and three idle post pressure rollers.
- Standard equipment with central lubrication of chain track
- Central adjustment of top pressure beam
- Applicable for German Electric Standard (VDE)
- Applicable for German Safety Protection (TÜV & GS) and Dust-free Standard (BG)



We reserve the right to make changes in the interests of technical progress

Technical data

• Edge thickness	:	0.4-12	mm
• Coil cut-off	max.	3×45	mm
	min.	0.8×60	mm
• Workpiece thickness	:	10-55	mm
• Workpiece width	min.	65	mm
• Workpiece length	min.	160	mm
• Feed speed	:	16	m/min
• Electrics (standard)	:	380V-3Ph-50Hz	
• Air connection	:	7	bar
• Conn. value	:	9	kW
• Total machine length	:	5000	mm

Our sales partner

HOMAG Machinery (Shanghai) Co., Ltd.

658 Fang Ta Road North, Songjiang County,
201613 Shanghai,
P. R.China
Phone: +86 21 5774 0970
Fax: +86 21 5774 0977
E-mail: info@homag-machinery.com.cn