

Hundegger

HMD

Fully Automated 4-Sided Planer and Chamfering Unit

Fully-Automated Planing and Planing with automatic Timber-sizing

Plane and Chamfer timbers without adjustment!



**From Trim to
Large Beams**

Patented System

- unrivaled
- flexible
- economical



**Hans Hundegger
Maschinenbau GmbH
D - 87749 Hawangen
Tel. +49 (0) 8332 923310
Fax +49 (0) 8332 923311
info@hundegger.de
www.hundegger.de**

Cross-sections from 15 x 30 mm (9/16" x 1"3/16) to 300 x 400 mm (11"13/16 x 15"3/4) without adjustment!



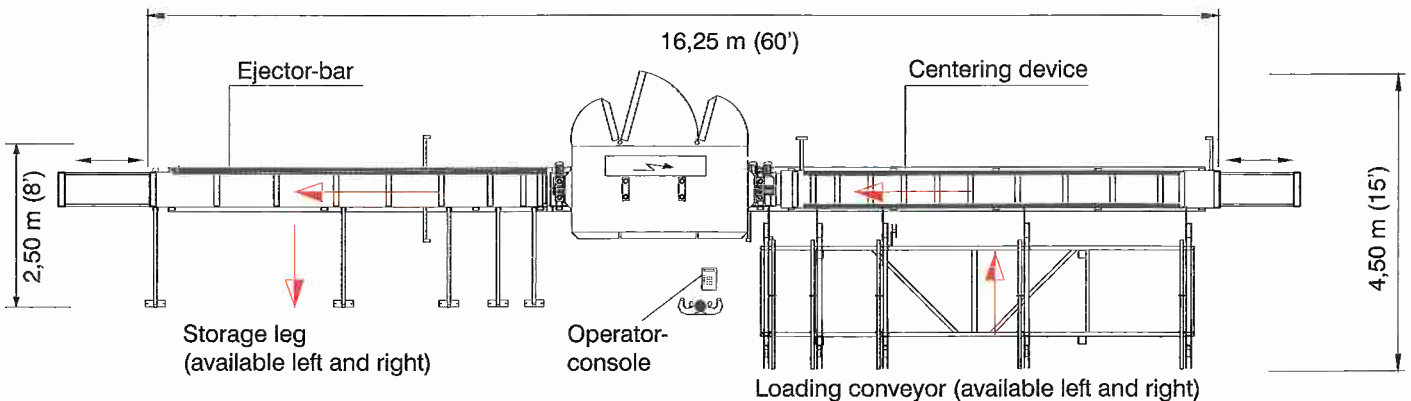
Partial planing at the front



This unrivaled 4-sided planer and chamfering unit offers incredible advantages:

- 1-Man operation (incl. loading and unloading) with use of loading conveyor
- Manual or automatic loading possible
- Powerfull feed-system; especially helpfull with wet and bowed timbers
- Modern PC-based controls (Data transfer from joinery machine, list of common sizes, etc.)
- Automatic Timber-sizing (Enter cross-section at console or pull-up from saved standard sizes)
- Planes and chamfers short parts 1200 mm (4')
- Contour recognition feature allows problem-free planing of pre-processed joinery parts (i.e. Seat-cuts, etc.)
- The feed rate is automatically regulated by the strain on the planer motors
- Rapid blade change without tools ("Tersa" - Cutterheads - centrifugal force clamping system)
- State of the art sound-proof cabinet (LpA = 76 dB)
- Multiple capabilities:
 - Partial planing at the front and back
 - Select sides to be planed with the touch of a button
 - Chamfering; adjustable 4-sided chamfering from 0-20 mm (0-13/16"), also for partial lengths
 - Plane up to 12 mm (1/2") per side
 - Comfortable operation with Operator-console
- Automatic transfer of planing parameters from our Single-Piece-Construction-Program as well as from all industry-standard Joinery and CAD-programs
- Unrivaled price-to-performance ratio

Planer and Chamfering Unit Layout



- **Fully Automated Planing**
- **Planing with Automatic Timber sizing**