

# KRONOS PLUS

Panel Automatic Reciprocating Spraying Machine

🌀 Painting    📍 Spraying



PANEL

**makor**

PROUDLY MADE IN ITALY

# KRONOS PLUS

## Panel Automatic Reciprocating Spraying Machine



Technological quality, high speed

Kronos Plus combine the need to paint at high speed with remarkable quality standards and respect of environmental regulations. Very flexible and user-friendly spray machine, with innovative patented solutions and quick setup. All control and working parameters are handled by a wide color touch screen monitor. Transport made by means of resistant forward feed belt in antistatic material, with efficient recovery and cleaning system. Total recovery of the paint remaining on the feed belt. Spraying system consisting of 2 oscillating units with 4/8 or 12 spray guns.

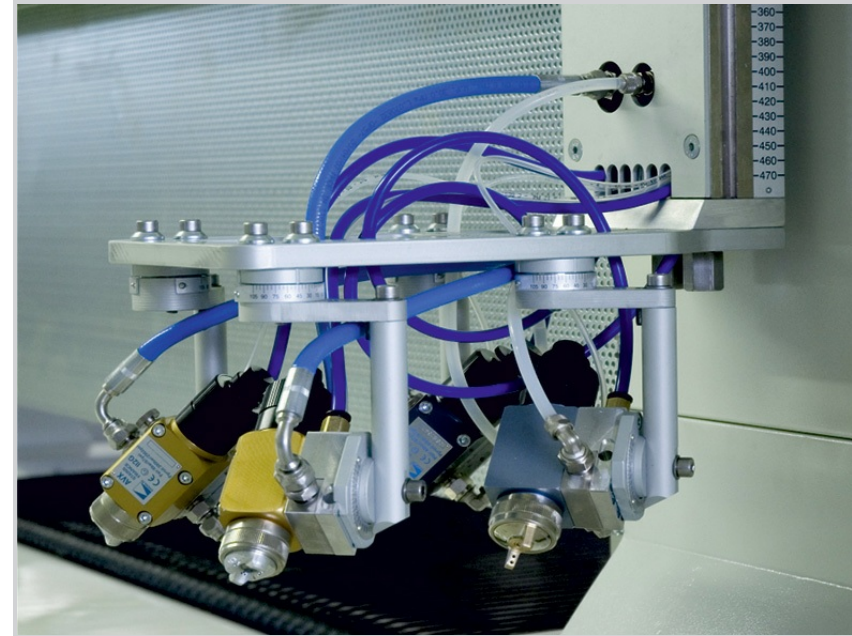
- ✓ Suitable for high production volumes
- ✓ Large pressurized cabin
- ✓ Wide filtering surface on extractable boxes, double filtering stage
- ✓ Automatic balancing, pressurization
- ✓ Self-cleaning belt, low maintenance
- ✓ Reduced washing liquid consumption
- ✓ Efficient paint recovery
- ✓ Double spraying arm , up to 12 guns 6+6
- ✓ High precision reading barrier
- ✓ 15 "touch screen control panel

# Reliability and Precision



## LARGE VOLUME

Pressurized cab with large volume.



## SPRAYING ARMS

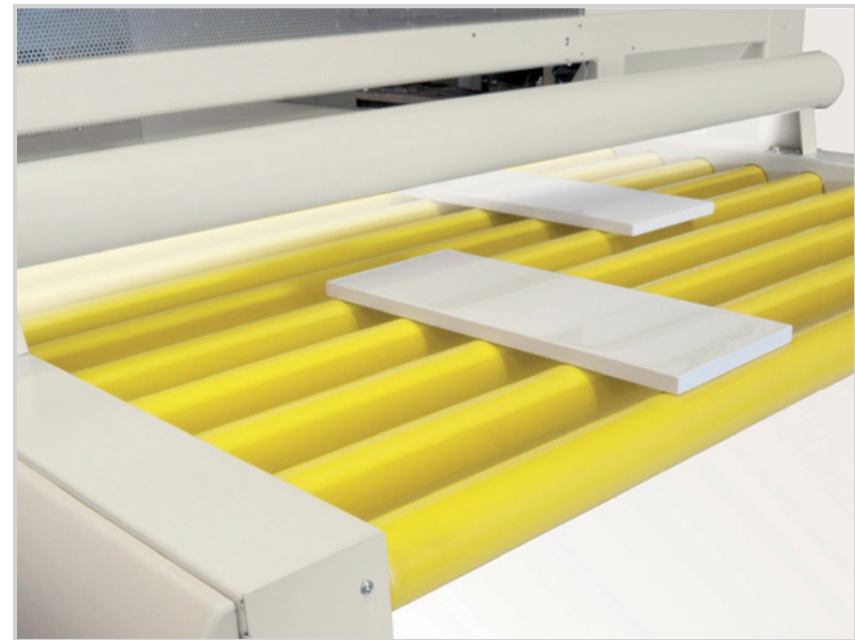
Spray system with 2 oscillating arms at high speed, capable of mounting up to 6 guns each. The machine can be equipped with 3 independent circuits for quick product changes.

# Reliability and Precision



## PLC TOUCH-SCREEN

Simple and intuitive man-machine interface.  
Remote assistance with internet connection.

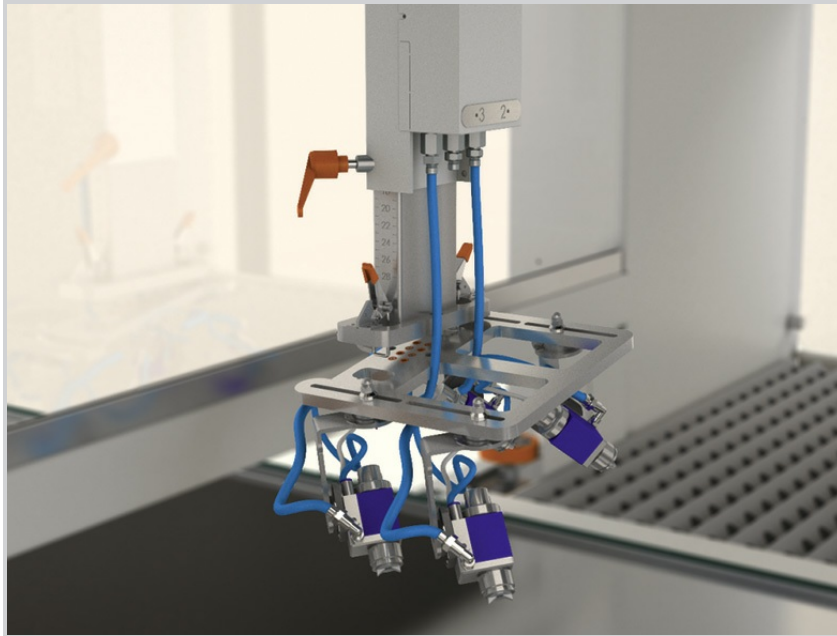


## READING BAR

Reading barrier on entrance roller conveyor.

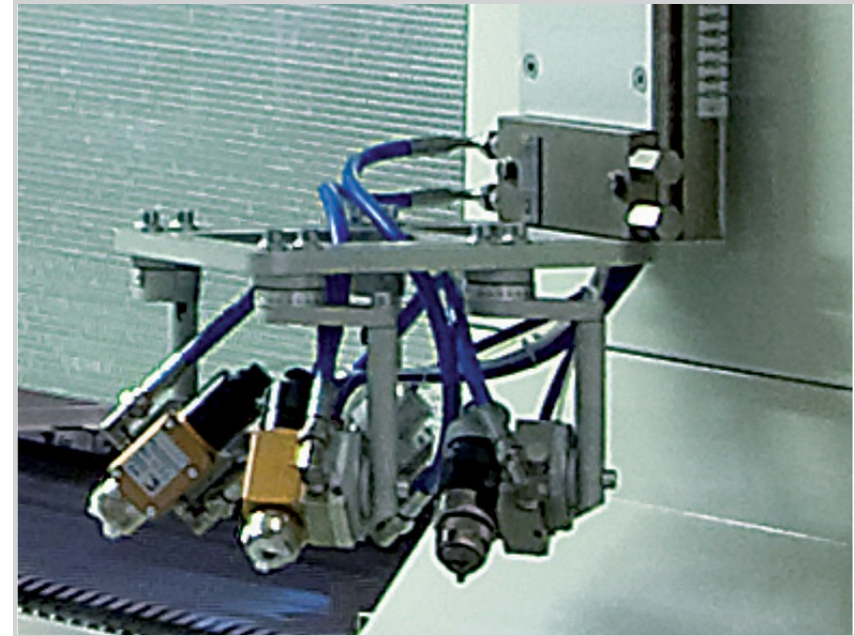


# Reliability and Precision



## GUN-HOLDING PLATE WITH QUICK DISCONNECTION (OPTIONAL)

Gun-holding plate with quick disconnection for a fast guns change and easy maintenance (on request).



## MOTORIZED GUNS

Vertical adjustment of arms, with pneumatic drive.

# Cleaning



## CLEANING SYSTEM WITH CHUTE

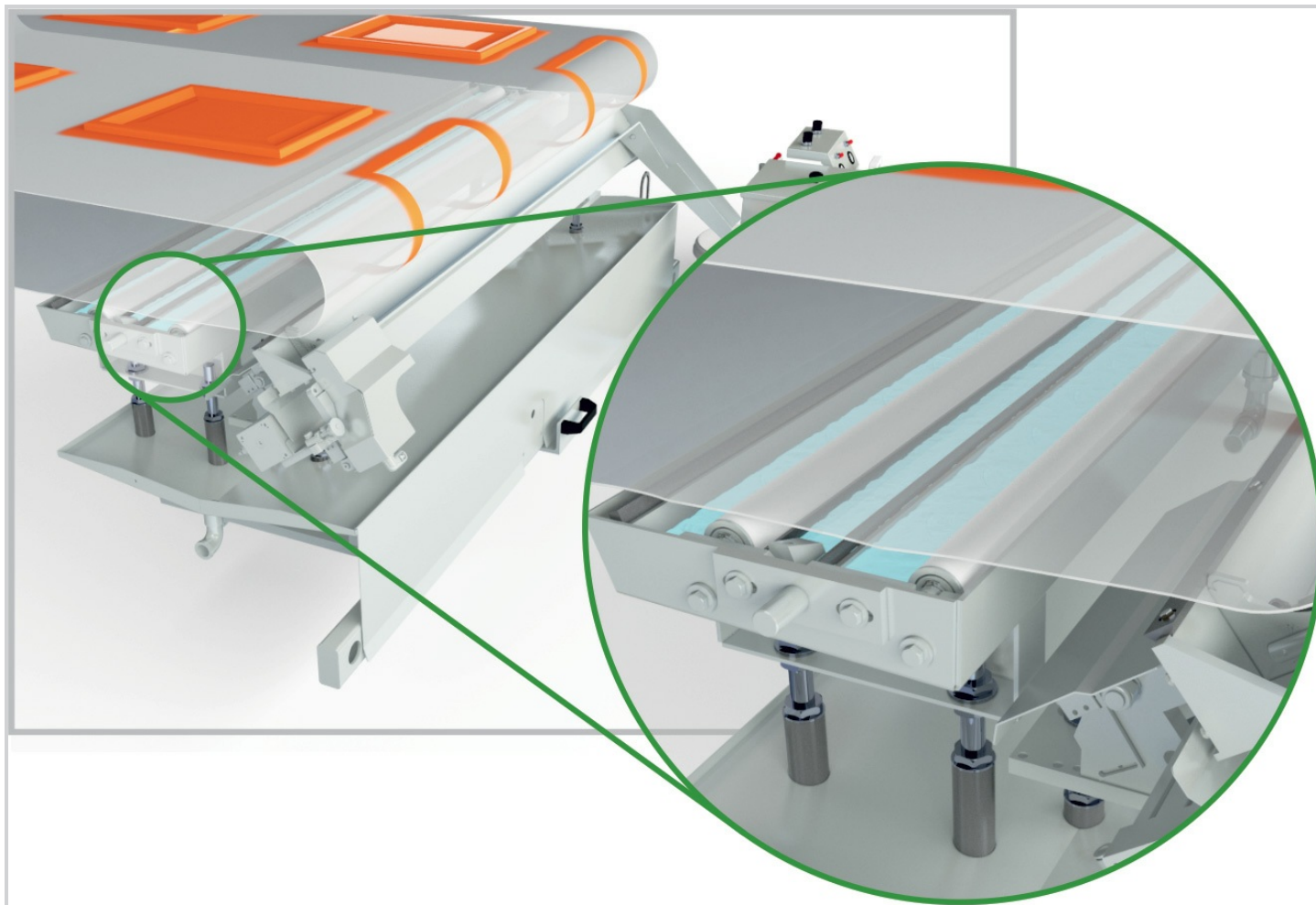
The cleaning system consists of two units. The first unit recovers the product, a squeegee of special sintered material guarantees the recovery of the product that is collected by gravity. The second unit is the washing unit. Rollers wash the carpet and the squeegees, also, of special sintered material, clean and dry the belt. The system is simple, does not require maintenance, and consumes little washing liquid.



## CLEANING SYSTEM WITH PALLET (OPTIONAL)

The system is composed similarly to the previous one, a squeegee guarantees the recovery of the product, a pneumatic sliding pallet promotes the recovery and collection of the product that is deposited in the collection container.

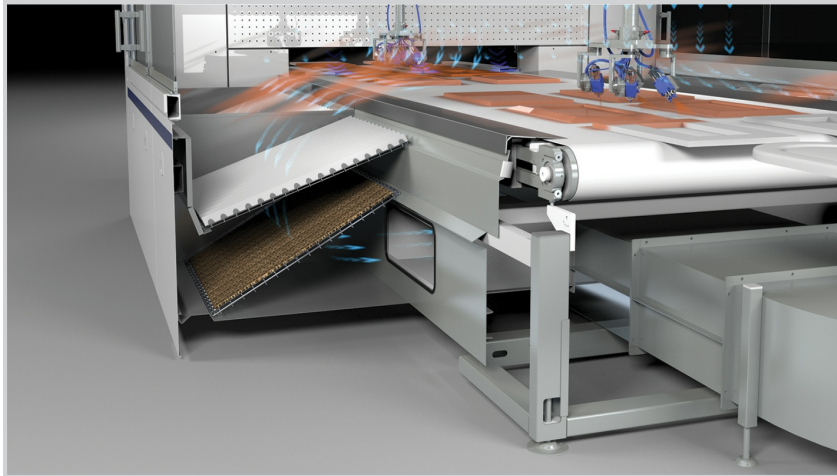
# Cleaning



## WASHING SYSTEM

In detail, the rollers wash the belt, the three squeegee blades clean and dry the belt.

# Dry Filtering

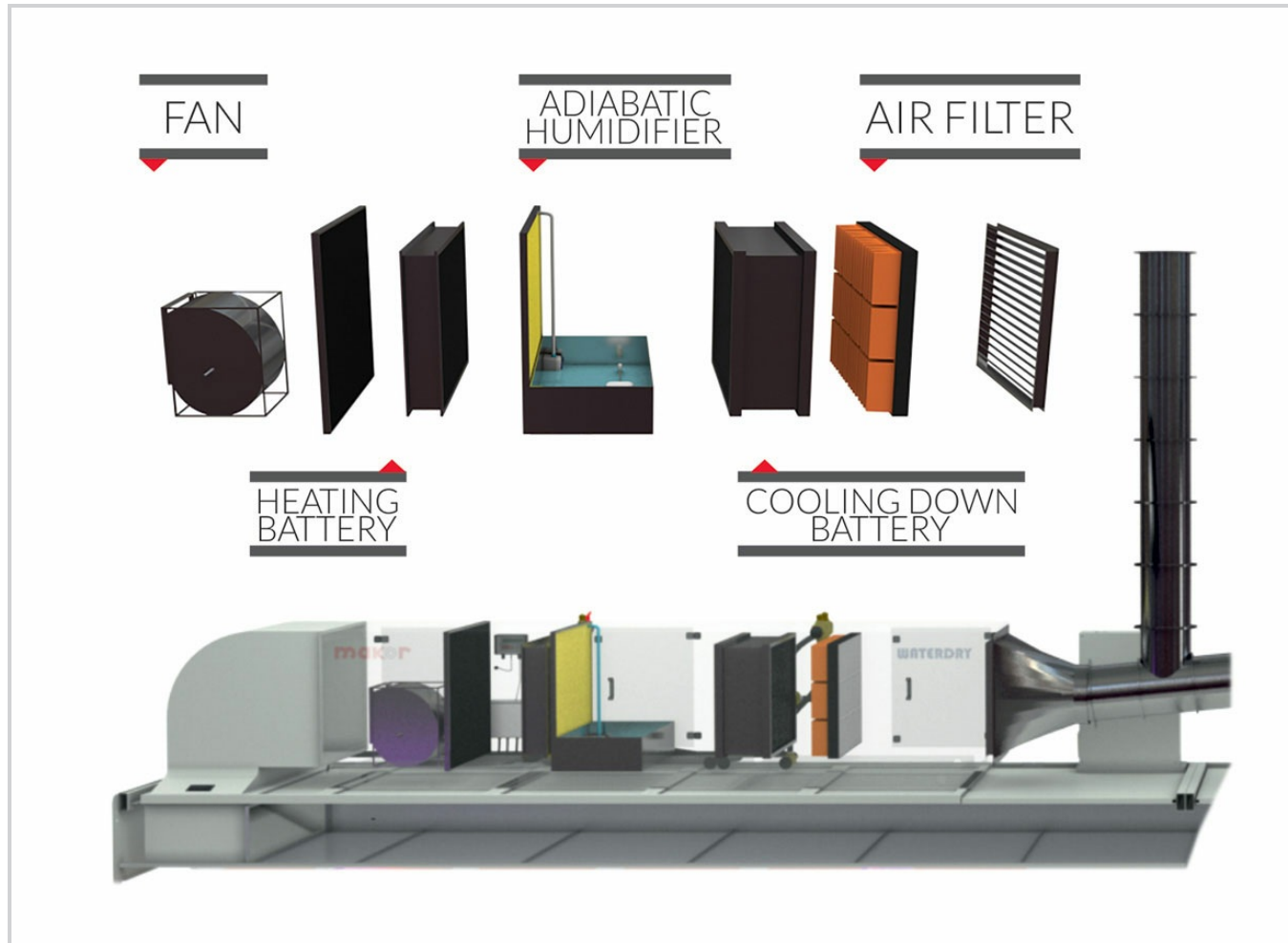


## FILTER BOX

Wheeled easily removable filter box.  
Double filtering stage 5 m<sup>2</sup> Filter surface



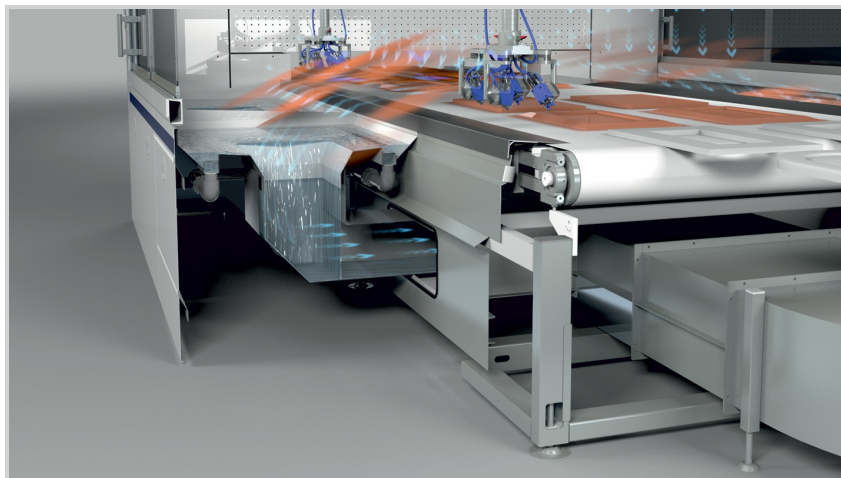
# Dry Filtering



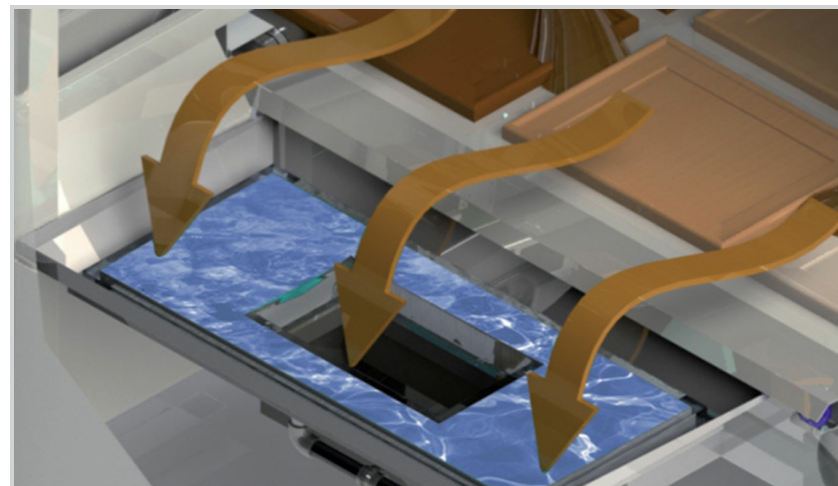
## CTA - AIR TREATING UNIT FOR DRY AND WATER FILTERING (OPTIONAL)

Air treatment unit, Air F7 filtration, heating with hot water coil, adiabatic humidification, cooling. To guarantee optimal spraying, air cleaning, temperature and humidity conditions.

# Water Filtering



FILTER SYSTEM WITH WATER



Filtering system with water curtains and scrubber with counter-current washing .

# Water Filtering



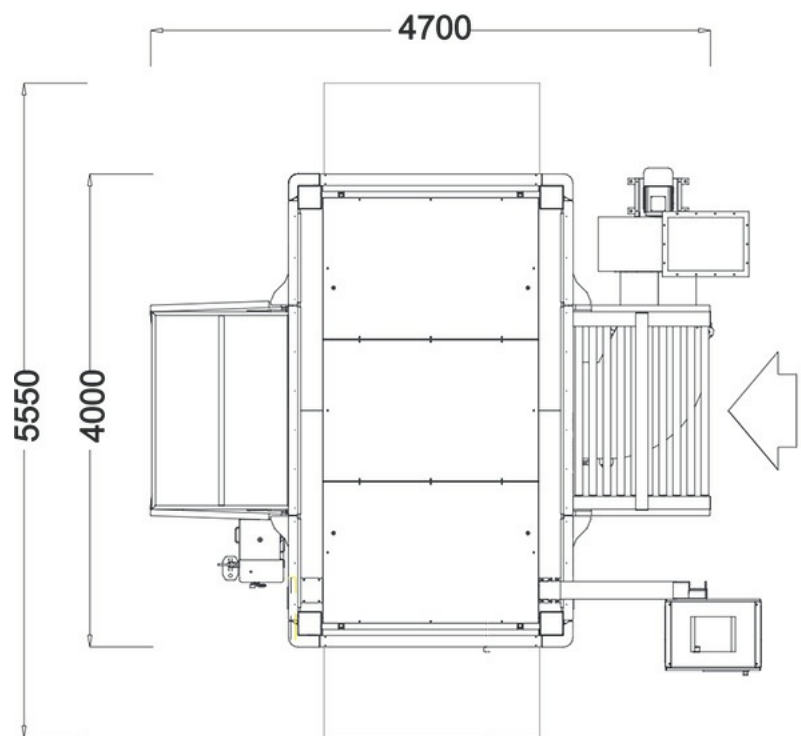
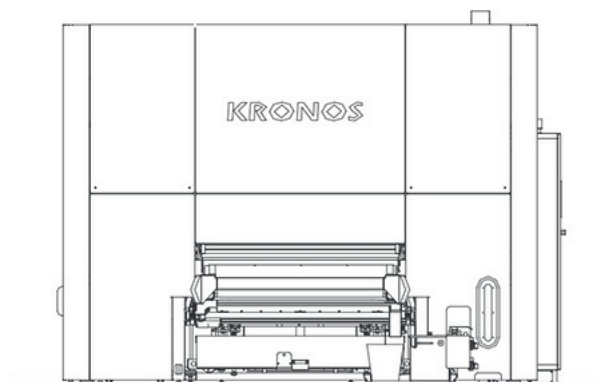
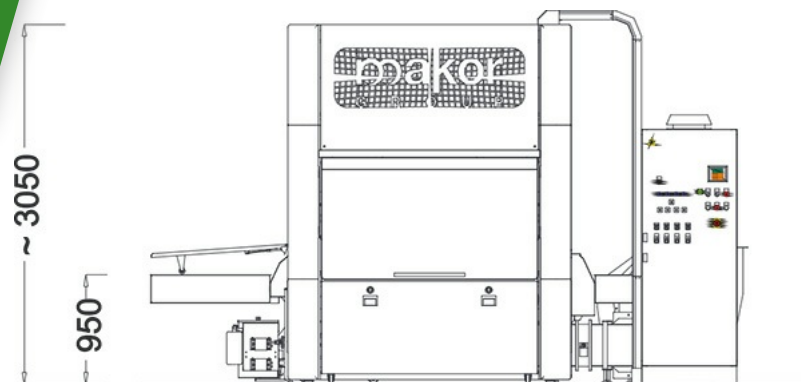
## SKIMMER

Water filtering system



## SCRUBBER

Filter system to reduce particulates



### Technical Data KRONOS

		Length	Width	Height
Minimum Dimension Workable	mm.	300	25	5
Maximum Dimension Workable	mm.	5000	1300	60

Installed Total Power:	Kw	15.5
Feeding Speed:	mt/min	Min. 1,5 Max. 10

All data mentioned in this publication are for informative purpose only and do not bind in any case Makor srl that reserves the right to make any changes considered necessary for technical or sales reasons. Colours of the machines shown on the picture are merely for example and are not binding. The reproduction, even partial, of this catalogue is forbidden.



# KRONOS PLUS

Makor Srl

Via Casalpiano, 9  
53048 Sinalunga  
Siena  
Italy

(+39) 0577 634011  
makor@makor.it



<https://makordev.swa-creative.com/staging/en/product/kronos-plus/>