

## Thin Cutting Frame Saw ECO-POWER Plus

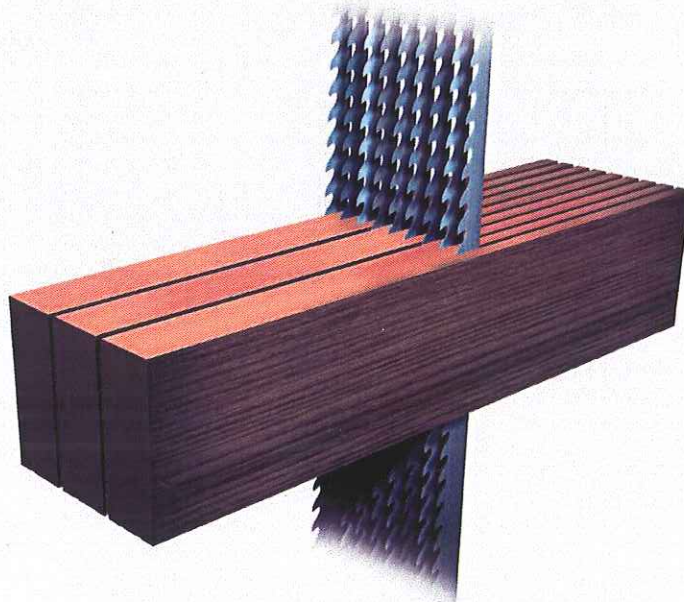
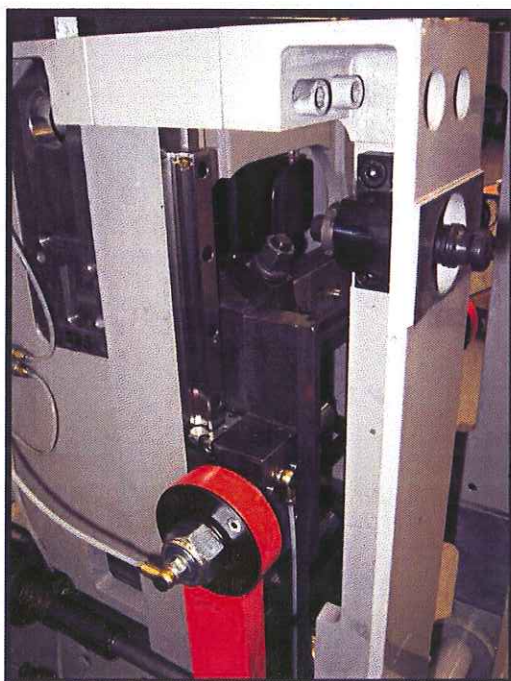
The **ECO-POWER Plus** Thin Cutting Frame Saw was developed to be affordably priced for companies with medium to small production needs. The machine has a sturdy, solid cast iron base and is equipped with a 15 kW(20 HP) main motor. The Frame Saw cuts solid wood blocks into glueable slats with minimum saw kerf waste. The machine can run products up to 165 mm in width (6.5") and 350 mm in height (13"). The Eco Power Plus Frame Saw provides the smaller manufacturer a high performance and quality machine for the production of their veneer slats/lamellas; all for an affordable price.

### Features

- **Affordable Price**
- **Play-Free Linear Guides** for Smooth Carriage Movement.
- Automatic Raise/Lower of Top Feed Rollers
- Easy Access for Saw Frame Changing
- Automatic Central Lubrication System
- Solid Cast Iron Machine Construction
- Precision Start/Stop Feed System
- Dust Free Enclosed Gear Boxes
- Adjustable Chip Breaker
- Solid Steel Crank Arms
- Machine Opening

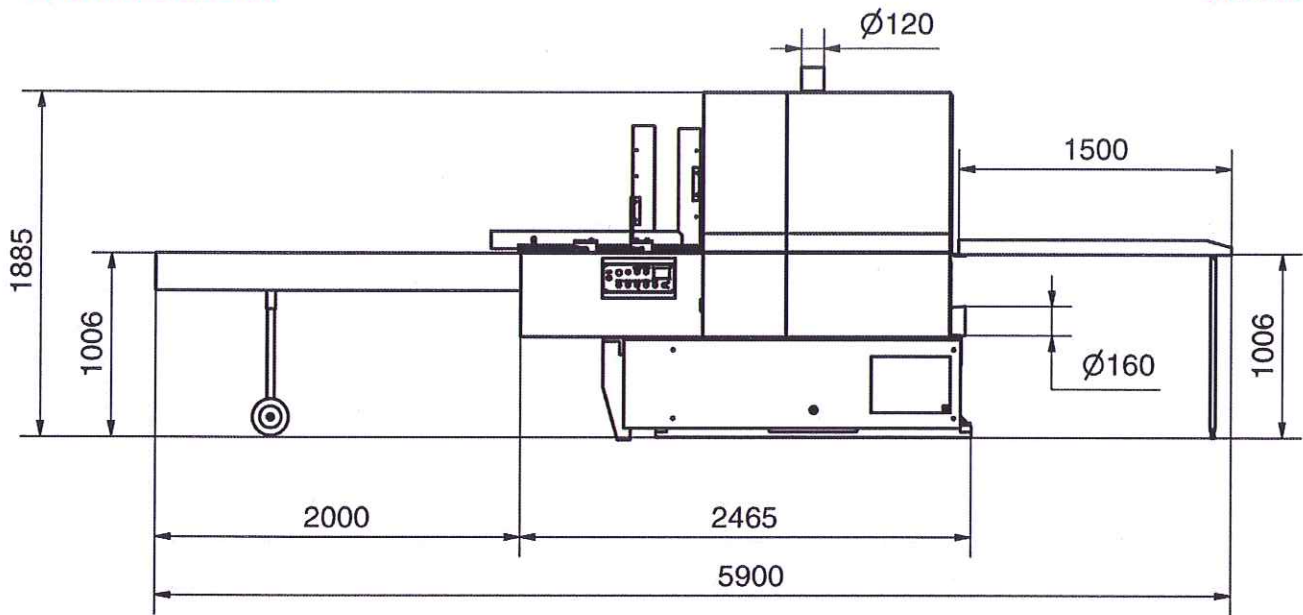


### Main Carriage Frame mounted on linear guides

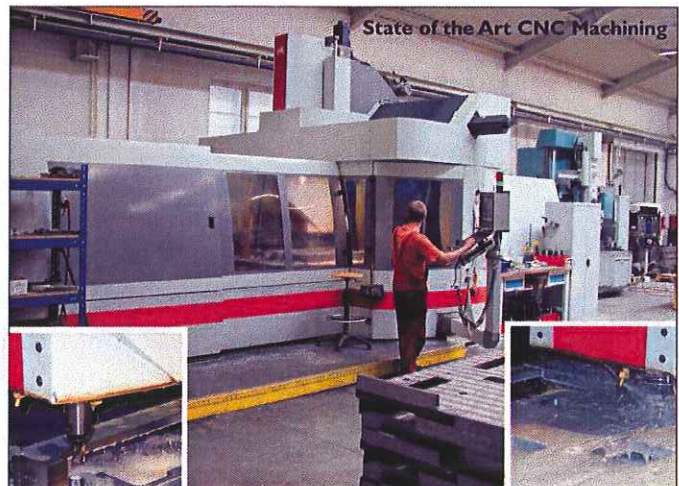


WORLD LEADER

SINCE 1793



<b>Production capacity</b>		<b>Technical data</b>	
Slat production per shift (m <sup>2</sup> )	350 – 600	Frame Saw Stroke Length (mm)	210
Feed Speed (m/min.)	0.2 – 2.0	Strokes per Minute (rpm)	450
<b>Motors</b>		Cutting height (mm)	250/350
Main Motor (kW)	15	Cutting width (mm)	155/165
Motor to open machine (kW)	0.18	Kerf (mm)	0.9 – 1.4
"Plus" System Motors (kW)	0.09 (2x)	Min. Slat Thickness (mm)	1.5
<b>Machine Dimensions</b>		Min. Block Length (mm)	155
Length (mm)	2600	# of Top/bottom Drive Rollers	11/0
Width (mm)	800	Top Dust Hood (Ø mm)	120
Height max. (mm)	2200	Bottom Dust Hood (Ø mm)	160
Weight (kg)	3500	Air Speed (m/s)	25
		Compressed air – min. (bar)	4.5
		Compressed Air Volume (m <sup>3</sup> /h)	2 – 10



**NEVA – TRADE s. r. o.**

Husova 537  
 CZ - 378 21 Kardašova Řečice  
 tel: 00420 384 377111  
 fax: 00420 384 377187  
 e-mail: neva@neva.cz

[www.neva.cz](http://www.neva.cz)

