



Reinbold
Entsorgungstechnik



„BEAR“ FORCE AND RELIABILITY

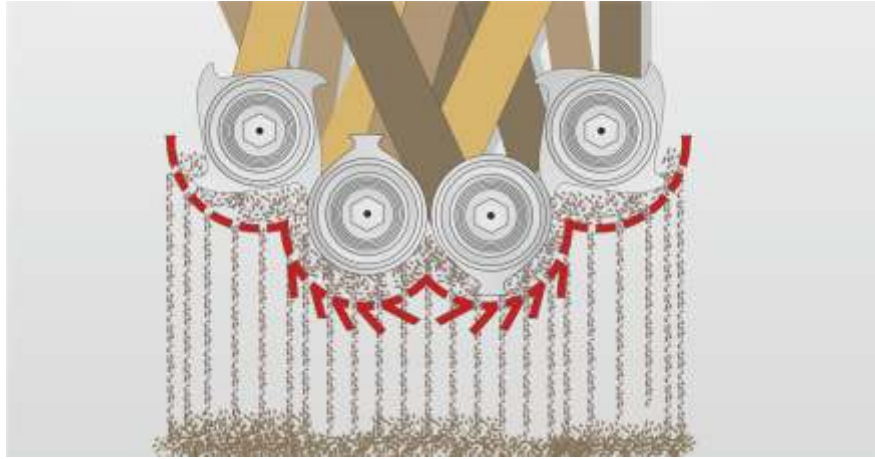
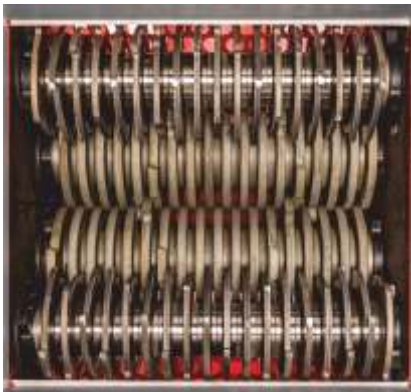
FOUR SHAFT SHREDDER

**RMZ 500 -
RMZ 1000 S**



Four Shaft Shredder RMZ 500 - RMZ 1000 S

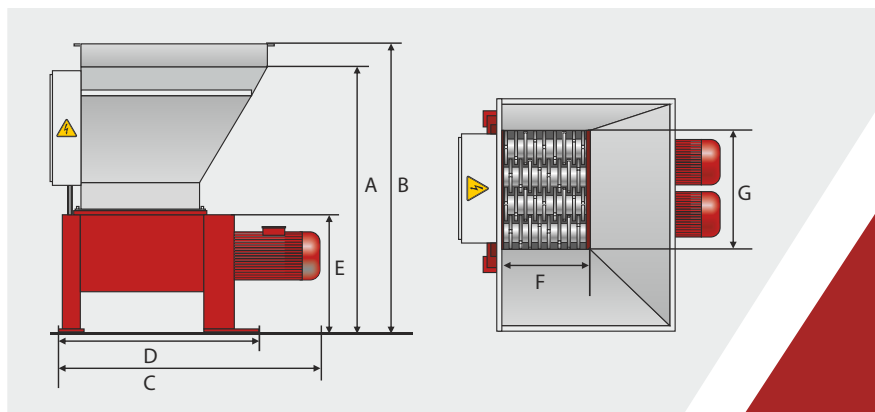
The RMZ 4 shaft shredder shreds easily waste of wood, plastics and some kinds of metal. Any waste getting in to the machine is standing on the cutting- or feeding blades which make the RMZ very efficient. Its also very common for long pieces and a rough grinding. This rugged shredder fitted with an electric control system to avoid a overloading and it switches the machine off if the hopper is empty. The large hopper and the 4 shafts guarantees an high output by a low power consumption, over al it's a machine with a very good cost-benefit analysis.



The cutting system deceed over 2 shafts with cutting blades and 2 shafts with broaching blades, as an option all shafts can be fitted with cutting blades. The cutting system is driven by firm cogwheels which run in a closed oil bath. Additional breakers underneath the perforated screen prevent the occurrence of long chips. The size of the holes in the screen determines the size of the chip.

| Type | | RMZ 500 | RMZ 700 S | RMZ 1000 S |
|---|--------------|-------------------|-----------------------------|--------------------------------------|
| Hopper opening | | | | |
| Width | (mm) | 1.000 | 1.400 | 1.400 |
| Lenght | (mm) | 1.250 | 1.300 | 1.500 |
| Cutting tool opening | | | | |
| Width (F) | (mm) | 462 | 760 | 680 |
| Lenght (G) | (mm) | 562 | 700 | 1.000 |
| Plate-Ø | (mm) | 235 | 280 | 280 |
| Motor output | (kW) | 2 x 7,5 2 x 11 | 2 x 15 / 2 x 18,5 2 x 22 | 2 x 15 / 2 x 18,5 2 x 22 / 2 x 30 |
| Output with a Screen-perforation | | | | |
| Ø 20 mm | (kg) | 300-500 | 600-1.200 | 800-1.500 |
| Ø 25-40 mm | (kg) | 500-800 | 800-1.500 | 1.000-2.000 |
| Weight | (approx. kg) | 1.300 | 2.500 | 3.000 |
| Size A | (mm) | 1.660 | 1.660 | 1.690 |
| Size B | (mm) | 1.970 | 1.980 | 1.980 |
| Size C | (mm) | 1.400 | 1.780 | 2.250 |
| Size D | (mm) | 1.040 | 1.250 | 1.470 |
| Size E | (mm) | 830 | 830 | 830 |

* depending on material, conditions, screen size and input rate



Reinbold Entsorgungstechnik GmbH

Robert-Mayer-Strasse 5
74360 Ilsfeld (Germany)

Phone: +49 (0) 7062 / 97885-0

Fax: +49 (0) 7062 / 97885-50

info@reinbold.de

www.reinbold.de

Your dealer:

