



THE VERSATILE PACKAGING

to protect your every product



PACKAGING SOLUTIONS WITH **CARDBOARD**

cut c100



cut c200



pack c200



pack c100



PACKAGING SOLUTIONS WITH **POLYETHYLENE**

pack t



pack f



PACKAGING SOLUTIONS WITH CARDBOARD

Cut c machines are the ideal solution for companies of all sizes with a wide variety of productivity needs for small batch production or flexibility (batch1).

Thanks to the longitudinal cutting and creasing units and the transverse unit (and the perforating unit in the cut c 200), it is possible to have great flexibility of box formats and types.

The operator can retrieve the desired box from the interface, either by reading a barcode, or by using the scanbox, that can read the dimensions of a single or multiple products and send the data to the machine for box production.

cut c 100



Technical data		cut c 100	cut c 200
Max. usable carton width	mm		2500
Boxes/min	min	2	4
Boxes/day (batch 1)		0 - 500	500 - 1000
Boxes/day (productivity batches)		0 - 1000	1000 - 1500
Cardboard feed speed	m/min	40	45
Cardboard feed speed			fanfold / sheets
No. longitudinal units			da 7 a 12
Creasing		Normal	Normal/perforated
Cardboard thickness	mm		da 2 a 7
Minimum open box length produced	mm		420

cut c 200



MAIN FEATURES

Cutting and creasing units



The machines are equipped with 7 cutting and creasing groups as standard, while a configuration with 12 groups can be chosen as an option to achieve up to 2 boxes side by side.

cut c 200 is equipped as standard with a longitudinal and cross perforation unit.

Cardboard magazines



SINGLE

The machine can work with cardboard sheets, single fanfold or both.
Cardboard width that can be fed into the machine: max 2500, min 400mm.



MULTIPLE

With this configuration it is possible to use 2 to 4 cardboard fanfolds side by side.



4-LAYERS AUTOMATIC SELECTOR

The multiple storage has 4 layers, each of which can accommodate 2 fanfold side by side, thus doubling the number of available cardboards (up to 8).

Additional devices

The *glue force* are suitable for gluing small/medium (glue force 100) or medium/large (glue force 200) American boxes (FEFCO 0201) using hot-melt glue.

GLUE FORCE 100

GLUE FORCE 200



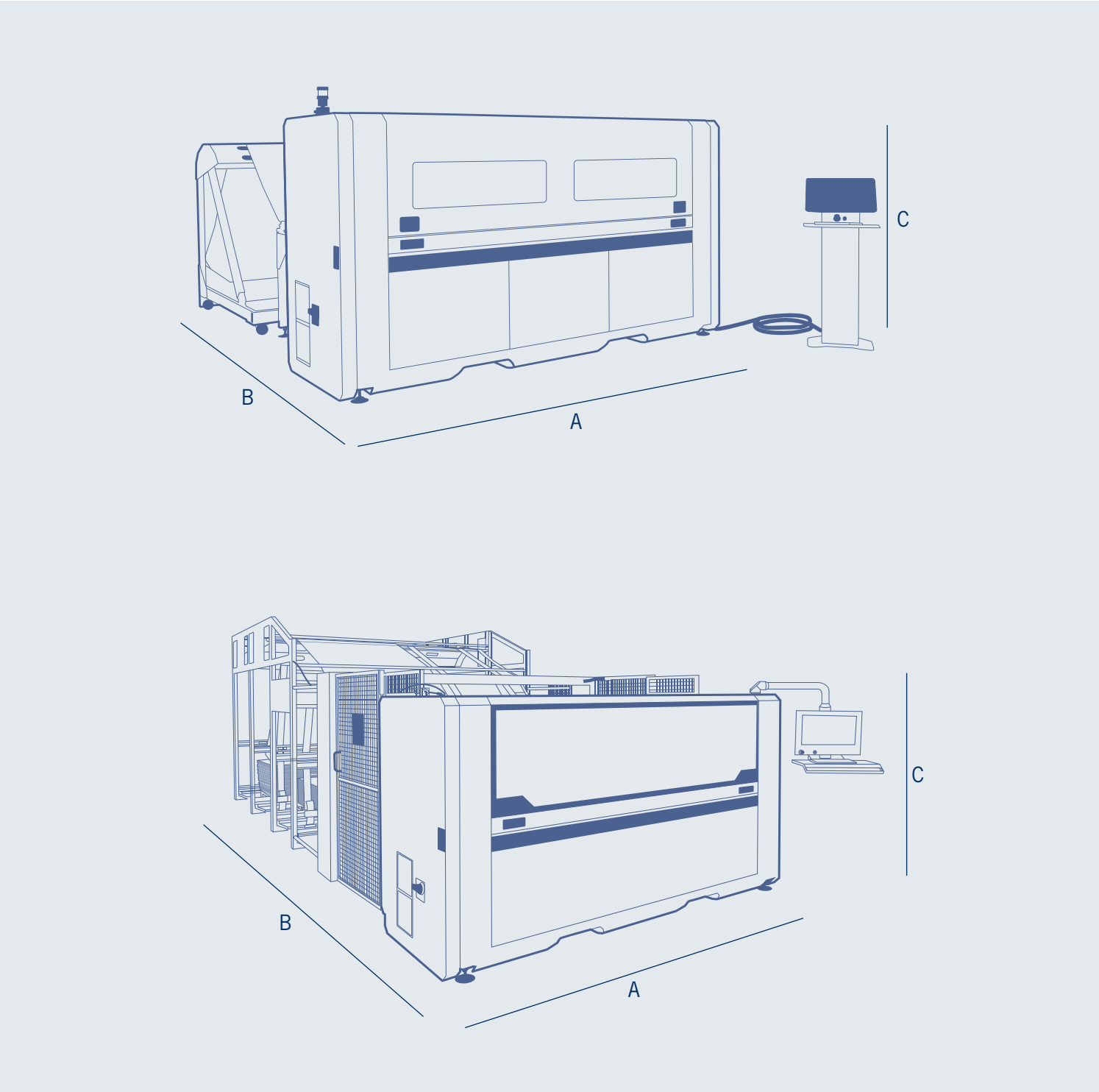
Software

Active box PRO and Active box PRO 2.0 are the two software of the machines and provide intuitive production management and advanced features:

- 40 numerous pre-existing packaging templates
- customer box archive
- production lists: to plan orders by customer, by product, by period, etc.
- connection to the company network: to manage production from the office or from the management system
- production reports and remote SQL queries: report display of various production data

OVERALL DIMENSIONS

cut c
Packaging solutions



DIMENSIONS	A	B	C
cut c single feeder	3345	5975	2340
cut c multi layers automatic selector	3345	11705	2660

PACKAGING SOLUTIONS WITH CARDBOARD

Pack c 200 is the ideal solution for automatic forming of the pre-cut cardboard box (FEFCO 410 format) with hot-melt glue. The product to be packed is then manually inserted inside the preformed box. This solution is ideal for large batch production volumes (up to 8 boxes/minute). The loading of the die-cuts can be done by hand or alternatively the automatic robot/portal solution is available.



00

Technical data

Cardboard type		FEFCO 410
Cardboard thickness	mm	2-3
Max inner box width	mm	250 - 1150
Max inner box length (min - max)	mm	400 - 2500
Internal box height (min - max)	mm	35 - 250
Instantaneous productivity max	box/min	8
Type of production		Medium/big batches



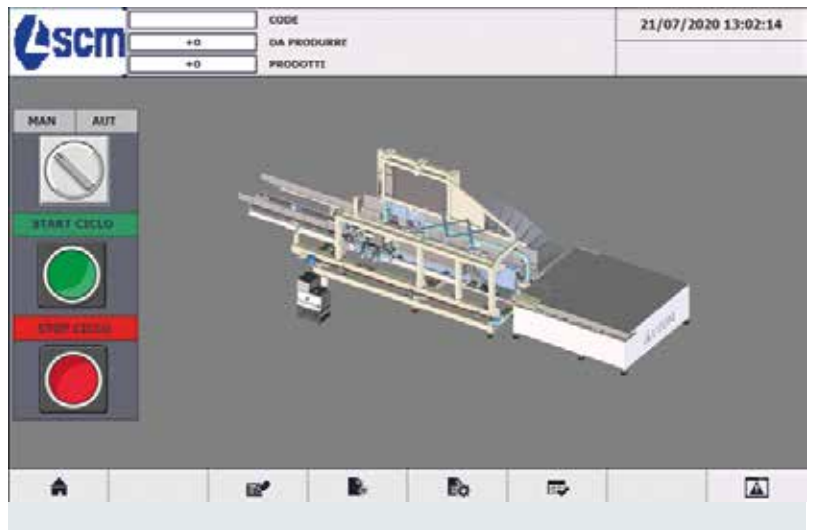
MAIN FEATURES



Glue nozzle and device to make the geometry of the box perfect.



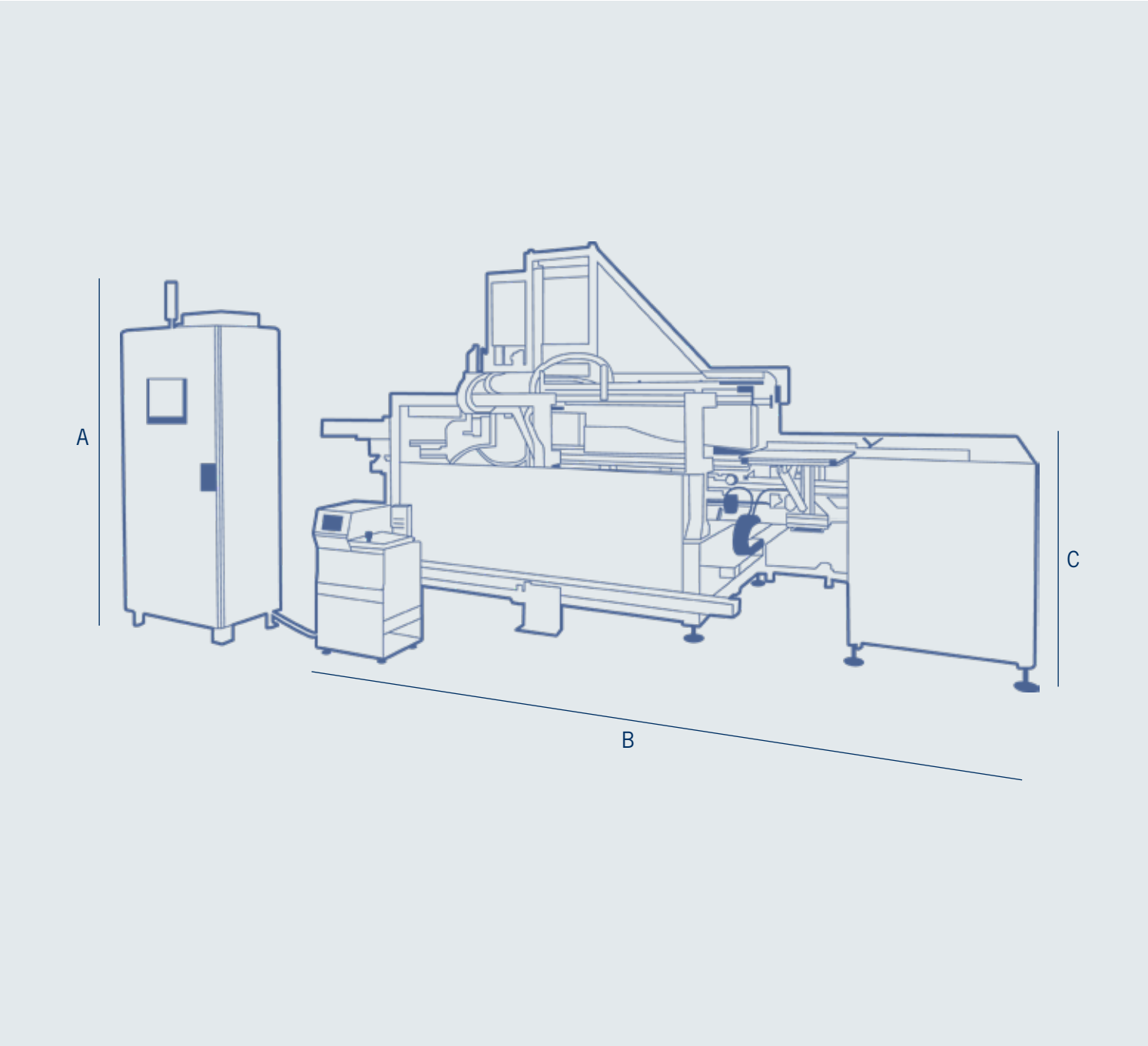
Automatic format set up based on carton size.



Simple and intuitive interface for format set up.

OVERALL DIMENSIONS

pack c 200
Packaging solutions



Dimensions	A	B	C
pack c 200	4920	9535	2550

PACKAGING SOLUTIONS WITH CARDBOARD

Pack c 100 is the ideal solution for automatically closing the lid of a die-cut cardboard box (FEFCO code 410) with hot-melt glue. The product is manually inserted inside the pre-shaped box and fed into the machine. Thanks to the automatic detection of the carton size, it is possible to make packages with boxes of different sizes, placed sequentially at the infeed. The solution is ideal for kit furniture manufacturers.



Technical Data

Max productivity (batch production*) * value calculated for product with Length = 1200 mm	No.	8
Min box length (external sizes)	mm	350
Max box length (external sizes)	mm	2500
Min box height (external sizes)	mm	35
Max box height (external sizes)	mm	250
Min box depth	mm	250
Max box depth	mm	1200



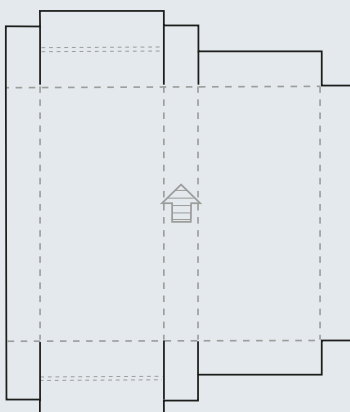
MAIN FEATURES



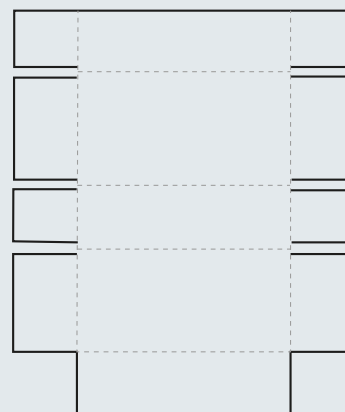
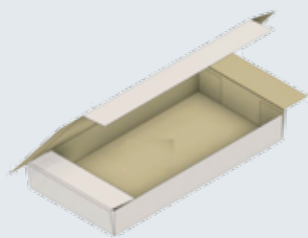
NOOZLE FOR HOT MELT GLUE is the technology for the closing of the boxes which ensures high quality packaging standards constant over time.



AUTOMATIC READING OF THE BOX DIMENSIONS, to adapt the process to the production requirements, starting from the large-scale to the small dimension batches down to the batch 1 manufacturing.



Fefco 427

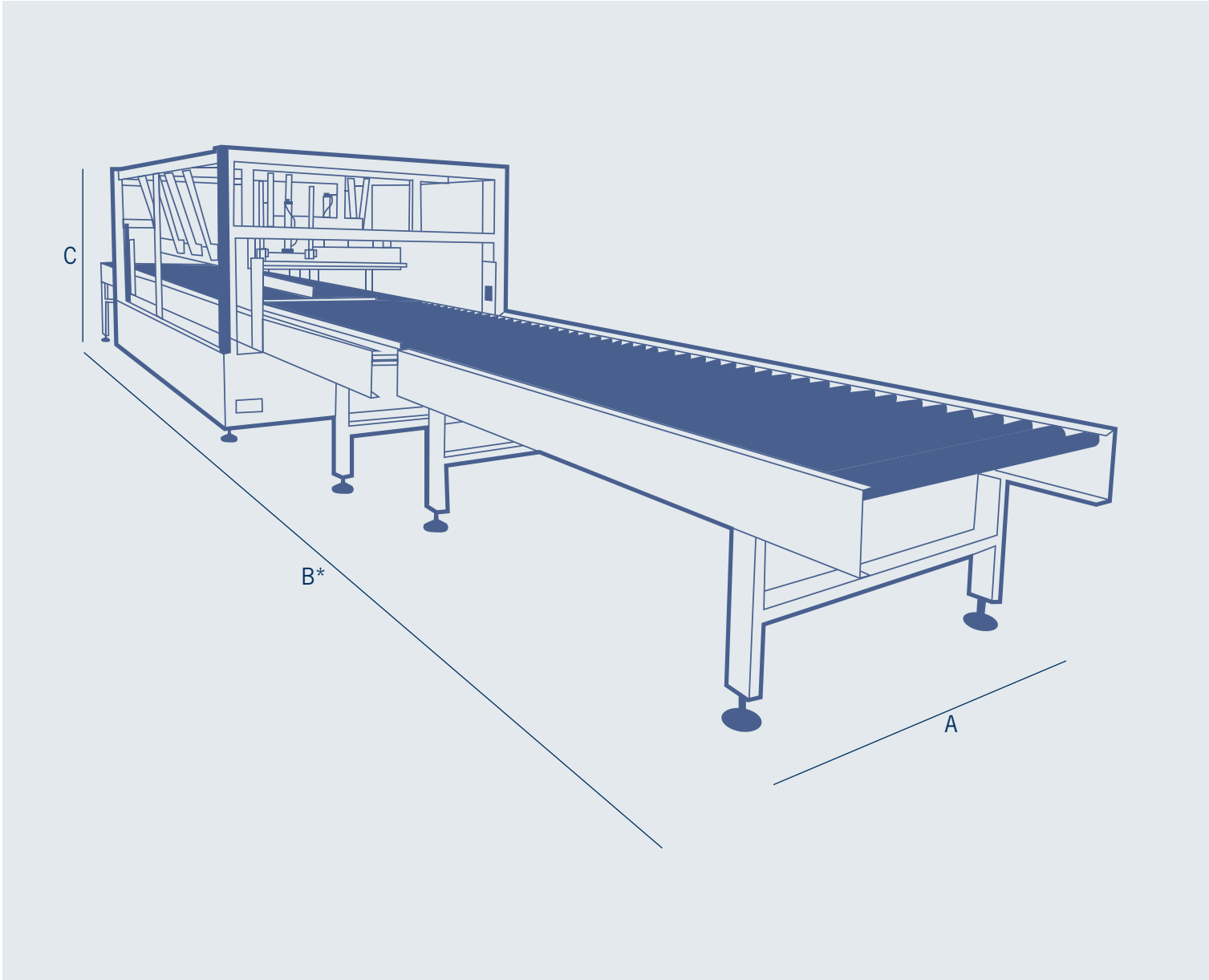


Fefco 410



OVERALL DIMENSIONS

pack c 100
Packaging solutions



Dimensions	A	B	C
pack c 100	2830	9616 *12616 with output idler roller conveyor (opt.)	2250

PACKAGING SOLUTIONS WITH POLYETHYLENE

Pack t automatically packs the product by wrapping it with polyethylene shrink. This kind of packing (with added protection at the most delicate points and/or bubble wrap) is suitable for all types of furniture industries starting from medium production volumes. The shrink wrap machine is designed according to the customer's requirement, thus meeting all the needs of the furniture industry: from batch one to batch production, for assembled or kit furniture, shelves, cabinet doors.



Technical Data

Max productivity (value calculated for product with Length = 1200 mm)	No.	5
Min product length *	mm	150
Max product length *	mm	3000
Min product height *	mm	20
Max product height *	mm	150
Min product depth *	mm	100
Max product depth *	mm	1000

*Values refer to the machine in photo. Machine can be customized according to customer needs



MAIN FEATURES



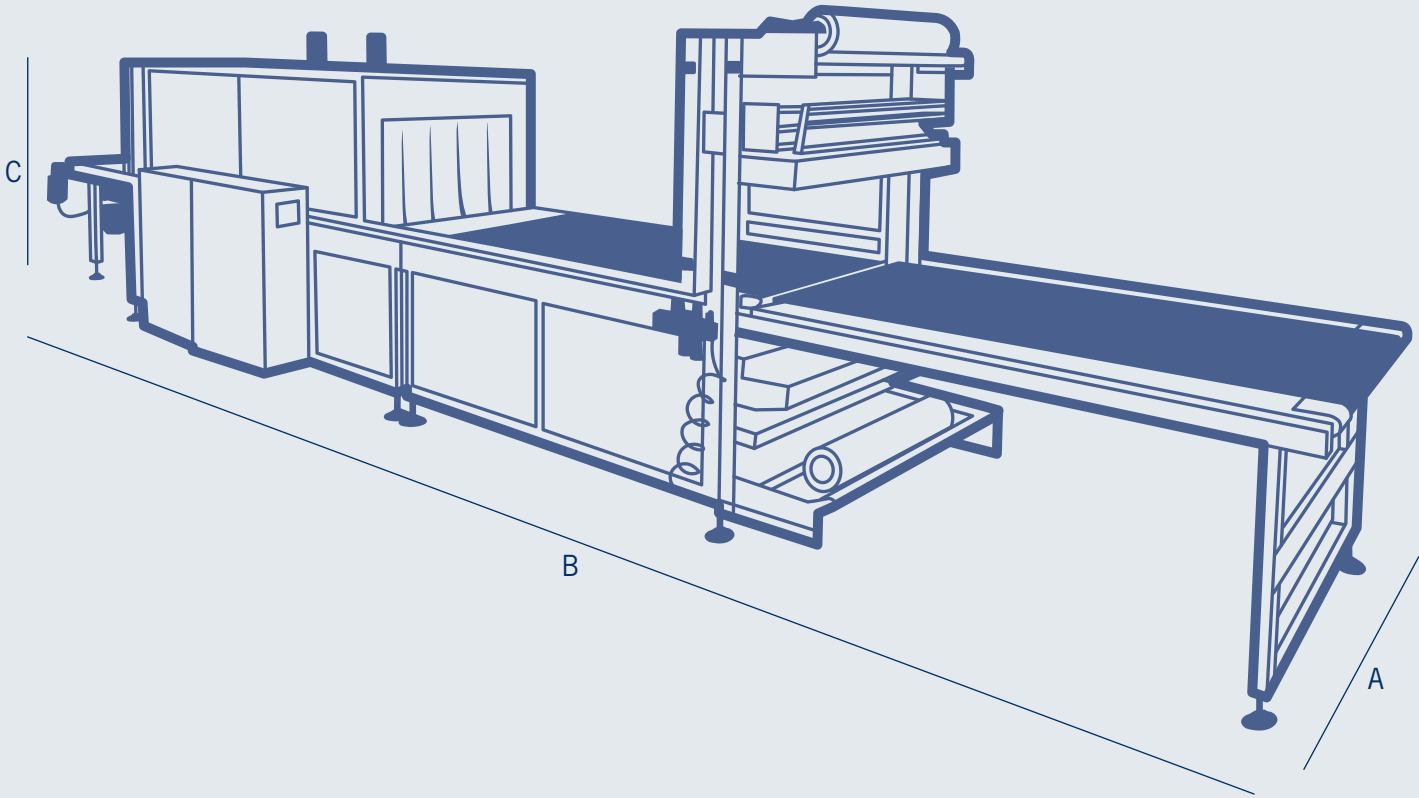
Automatic reel selection for batch production 1.



Trimming, side sealer and suction units for waste disposal.



OVERALL DIMENSIONS



Dimensions	A	B	C
pack t	1500	9300	1750



PACKAGING SOLUTIONS WITH POLYETHYLENE

Pack f packs automatically the product with stretchwrapping polyethylene. This type of packing machine is suitable for manufacturers of assembled furniture (with low production volumes) or single panels in general (kitchen tops, bathroom tops, etc.). The airball wrap and stretch wrapping machine is designed according to the customer's need. This solution is referred to as "cold packing," which integrates stretchable polyethylene with bubble wrap to achieve effective packing with great energy saving efficiency.



Technical Data

Min product length *	mm	800
Min product width *	mm	300
Max product width *	mm	1350
Min product height *	mm	30
Max product height *	mm	200

*Values refer to the machine in photo. Machine can be customized according to customer needs

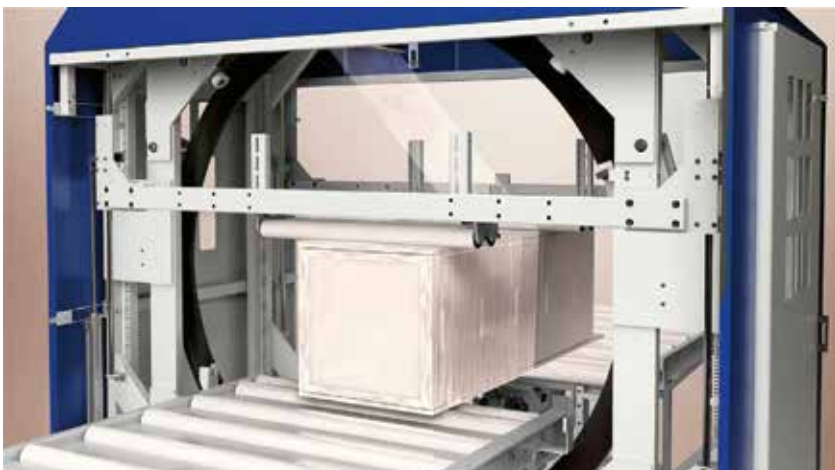


MAIN FEATURES



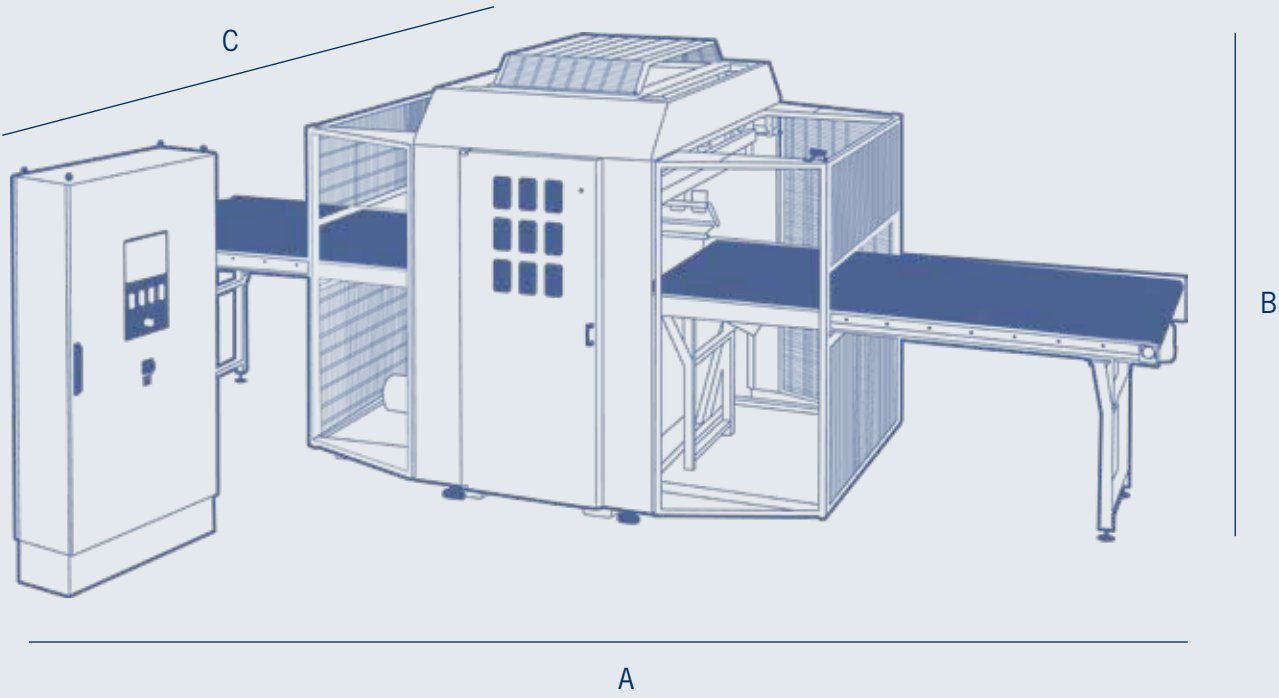
FILM SAVING thanks to the reel carriage with frictionable pre-stretch.

PERFECT FINISHING OF THE PACKAGING thanks to the automatic cutting and sealing system.



The pneumatic drive pressers with automatic settling ensure correct stabilization of the product during wrapping.

OVERALL DIMENSIONS

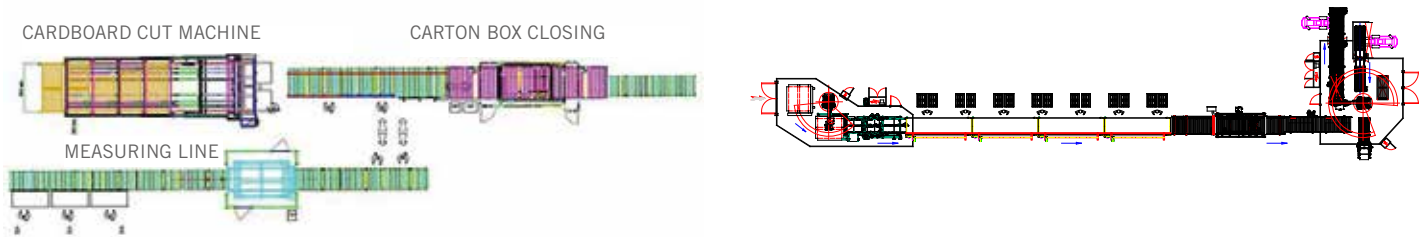


Dimensions	A	B	C
pack f	6700	2440	2400

PACKAGING LINES

Packaging lines with cardboard

Complete packaging lines offer the possibility of packaging products with varying degrees of automation. These lines are designed for manufacturers of kit/disassembled furniture, doors, windows, panels, etc., and for all products characterized by low thicknesses but highly variable lengths and widths.



Batch 1 Fefco 410 low intensity

In this solution we find:

- 3d product reading
- Just-in-time custom box production
- Manual cardboard filling
- Automatic box lid closing with hot melt glue

cut c 100

pack c 100

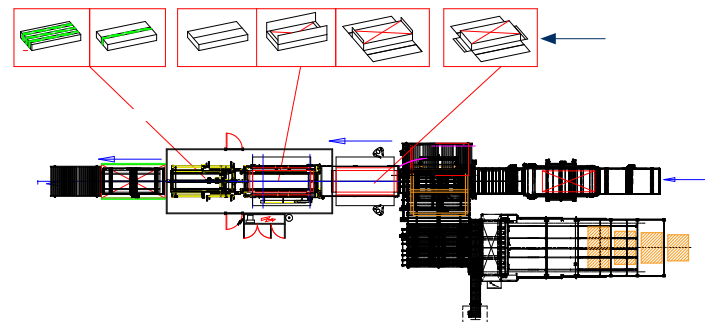
Large Batches Fefco 410

In this solution we find:

- Automatic tray picking and forming
- Manual box filling
- Automatic box lid closing with hot melt glue
- Automatic labeling and palletizing

pack c 100

pack c 200



Batch 1 Fefco 410 high intensity

In this solution we find:

- 3d product reading
- Just-in-time custom box production
- Automatic product placement on open cardboard
- Automatic box lid closing with hot melt glue

cut c 200

pack c 100

Batch 1 Fefco 401 high intensity

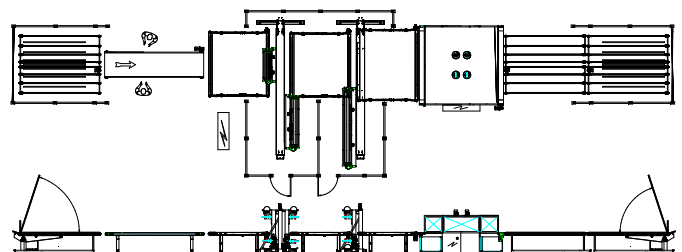
In this solution we find:

- d product reading
- Just-in-time custom box production
- Automatic product placement on open cardboard
- Automatic box lid closure with adhesive tape

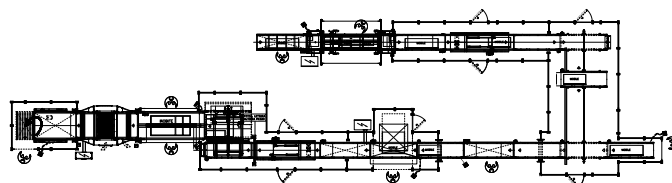
cut c 200

Packaging lines with polyethylene

pack t



pack f



Packaging line for frames and windows

In this solution we find:

- Automatic loading and unloading tilters
- Automatic reel size selection of PE based on product section (batch 1)
- XL machine for product sizes up to 3500 x 2500 mm

Line for assembled furniture packaging

In this solution we find:

- Integration with upstream assembly lines for continuous flow (no handling)
- Automatic unloading “L” tilter
- Optimal wrapping thanks to pre-stretching (batch 1)







WE'LL GO THE EXTRA MILE FOR YOU



SCM OFFERS A FULL RANGE OF **HIGHLY SPECIALISED SERVICES** WITH A QUALITY AND RELIABILITY THAT STEM FROM 70 YEARS OF EXPERIENCE IN THE INDUSTRY.

From installation and production start-up to services and maintenance. From training to the supply of specific original spare parts: **we provide solutions designed around you!**

 <p>SERVICE AND MAINTENANCE</p> <ul style="list-style-type: none"> • Remote support • Scheduled maintenance contracts • Warranty extension 	 <p>TRAINING SERVICE</p> <ul style="list-style-type: none"> • Courses for machine operators • Software and programming courses • Training in production start-up
 <p>SPARE PARTS</p> <ul style="list-style-type: none"> • Recommended spare parts list • E-shop • Interactive spare-parts catalogues • Repairs on electronic parts, glue tanks and electro-spindles 	 <p>DIGITAL SERVICES</p> <ul style="list-style-type: none"> • Maestro Connect - IoT platform to be constantly connected with your machines • Smartech - assistance with augmented reality • My Scm portal - opening of service ticket and single point of access to the apps and Services tools

CONTACT

SCM SERVICE

via Emilia 77 - 47921 Rimini - Italy
 tel. +39 0541 700100
 scmsservice@scmgroup.com
 www.scmwood.com

SCM SPAREPARTS

Via Emilia, 61 - 47921 - Rimini - Italy
 tel. +39 0541 674111
 spareparts@scmgroup.com
 www.scmwood.com



THE STRONGEST WOOD TECHNOLOGIES ARE IN OUR DNA

SCM. A HERITAGE OF SKILLS IN A UNIQUE BRAND

70 years of success gives SCM the centre stage in woodworking technology. This heritage results from bringing together the best know-how in machining and systems for wood-based manufacturing. SCM is present all over the world, brought to you by the widest distribution network in the industry.

70 years history

3 main production sites in Italy

300.000 square metres of production space

20.000 machines manufactured per year

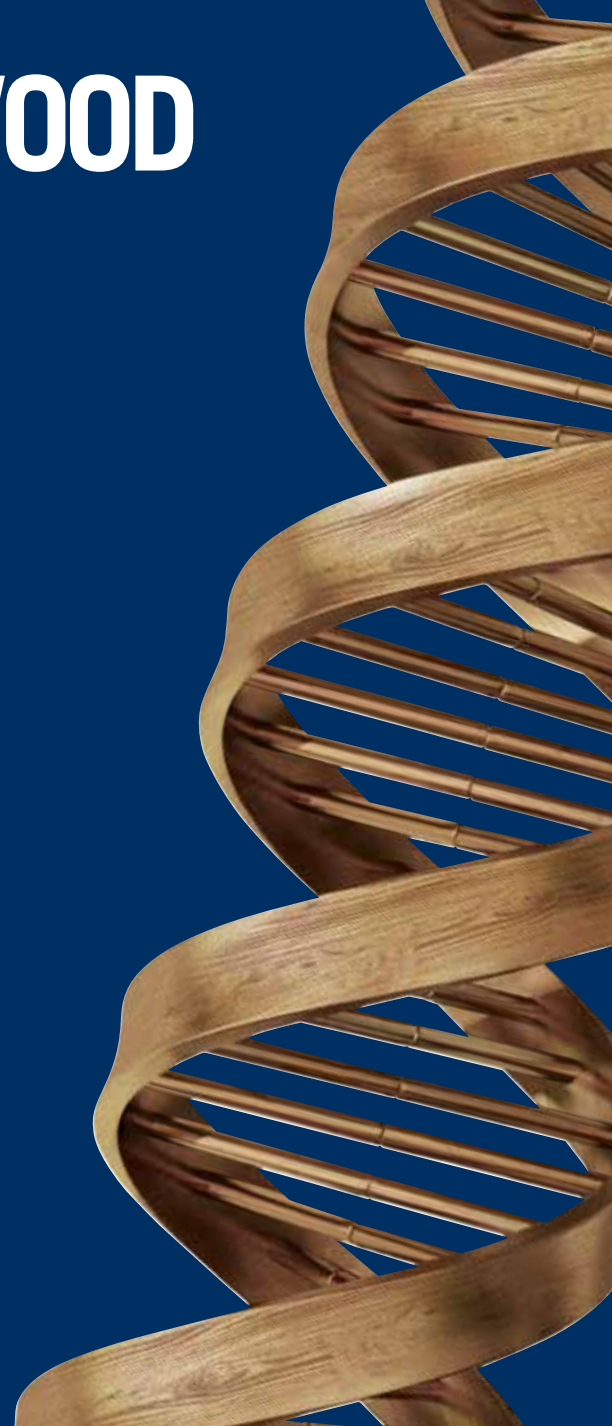
90% export

20 foreign branches

400 agents and dealers

500 support technicians

500 registered patents



In SCM's DNA also strength and solidity of a great Group. The SCM Group is a world leader, manufacturing industrial equipment and components for machining the widest range of materials.

SCM GROUP, A HIGHLY SKILLED TEAM EXPERT IN INDUSTRIAL MACHINES AND COMPONENTS

INDUSTRIAL MACHINERY

Stand-alone machines, integrated systems and services dedicated to processing a wide range of materials.



WOODWORKING TECHNOLOGIES



TECHNOLOGIES FOR PROCESSING
COMPOSITE MATERIALS, ALUMINIUM,
PLASTIC, GLASS, STONE, METAL

INDUSTRIAL COMPONENTS

Technological components for the Group's machines and systems, for those of third-parties and the machinery industry.



SPINDLES AND
TECHNOLOGICAL
COMPONENTS



ELECTRIC PANELS



METALWORK



CAST IRON



SCM GROUP SPA
via Casale 450 - 47826 Villa Verucchio, Rimini - Italy
tel. +39 0541 674111 - scm@scmgroup.com
www.scmwood.com



00L0874103G