

# superset tx

automatic throughfeed moulder



# superset tx

automatic **throughfeed moulder**

Topset XL is the ideal solution for producing prismatic profiles, frames, profiles and linear parts for windows, doors, furniture, garden furniture, boat furniture, etc. Available in customised compositions and with equipment based on the profiles and dimensions of the work pieces being realised.

## **INCREASED PRODUCTIVITY**

Competitive for small batch production. Can also be used by less skilled operators. Cost reductions.

## **WIDE RANGE OF OPTIONS**

Maximum possibilities to meet market requirements.

## **GREAT VERSATILITY AND PERFORMANCE**

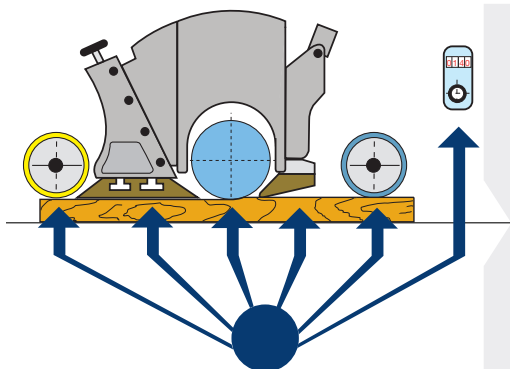
All the necessary tools are always available on the machine.





# superset tx

technological **advantages**



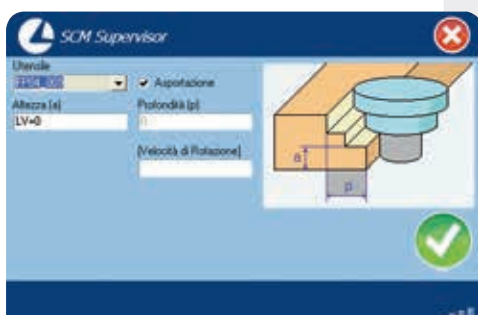
## SET-UP TIMES REDUCED TO A MINIMUM

The SET-UP system allows the operator to change tools and perform adjustments in just a few seconds.



## HIGH VARIETY OF PROFILES

Compositions with 6 to 10 spindles, long axial strokes, substantial stock removal depth and with HSK technology.



## USER-FRIENDLY CONTROLS

The new electronic control, with its clear and precise graphics, guarantees easy machine management in terms of programming, clear alarms and reports (productivity, alarms, rejects, etc.).





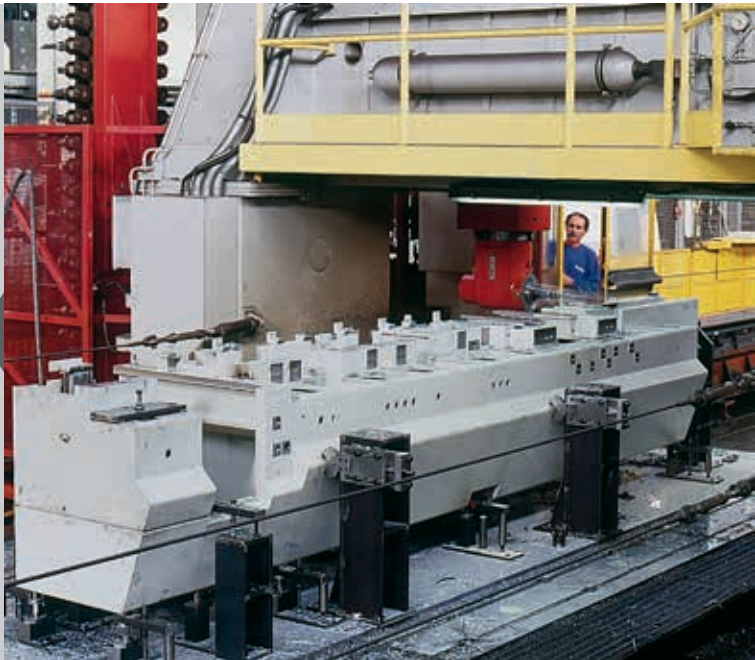
# superset tx

standard equipment

### MACHINE BED

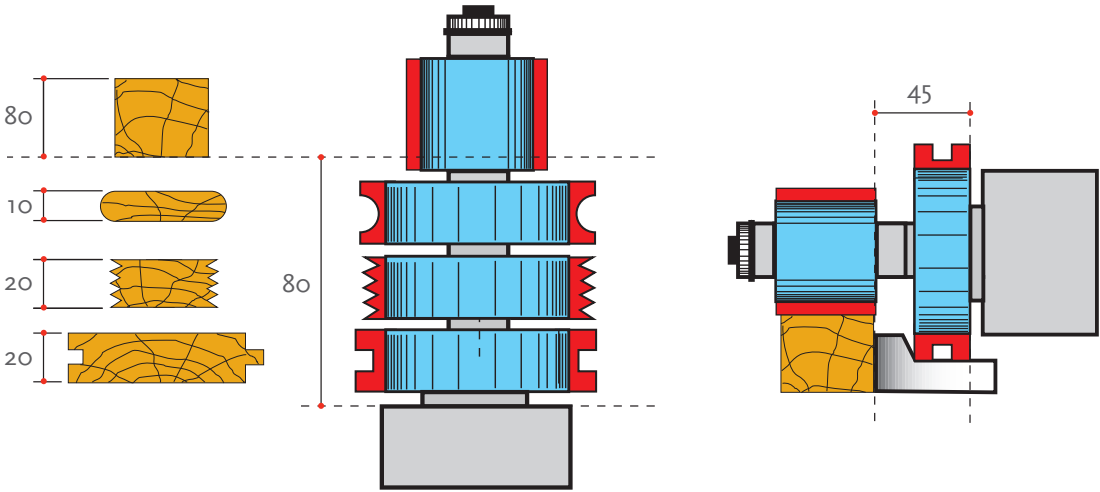
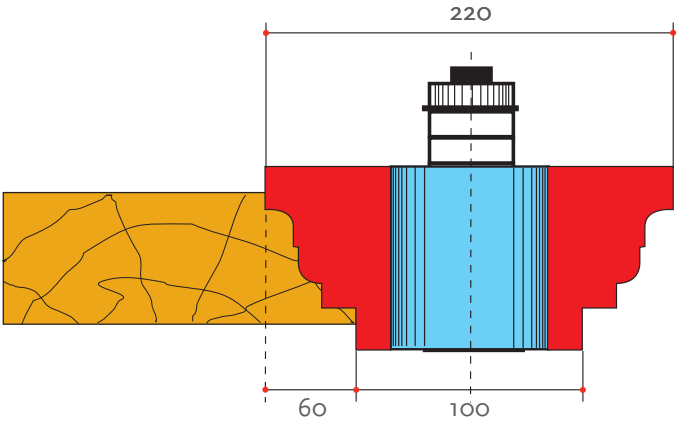
To achieve a high quality finished product, the machine structure must be rigid and solid.

Superset TX is constructed with a single block base in thick steel.

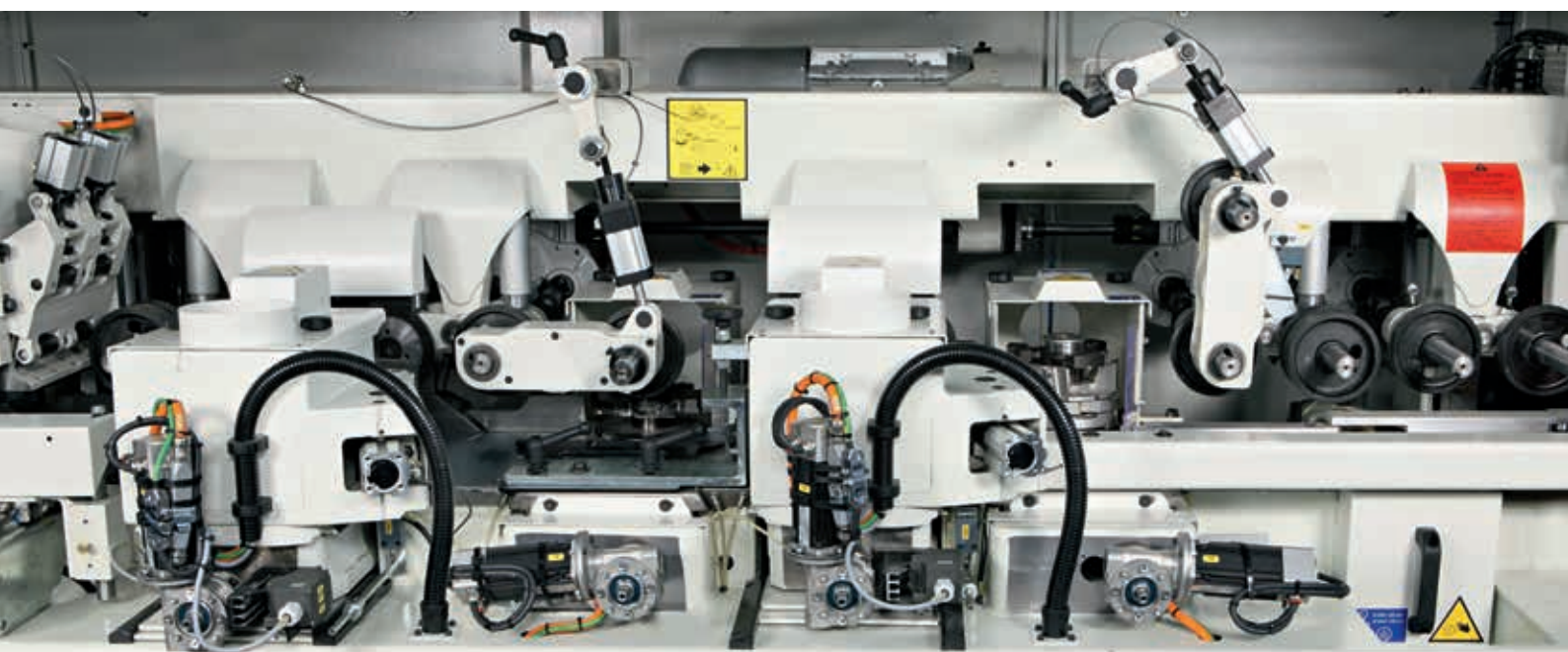


### PERFORMANCES

Heavy duty stock removal up to 60 mm and long axial strokes: up to 80 mm on vertical spindles and 45 mm on horizontal spindles.

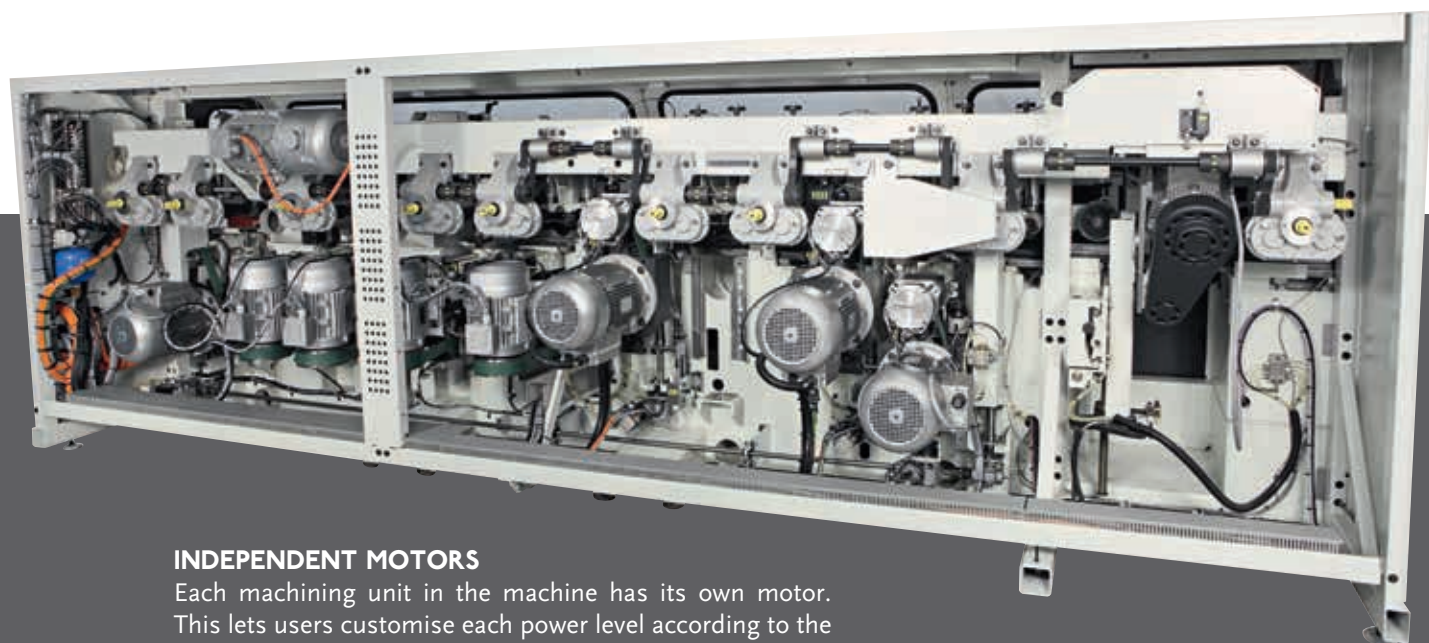






### FEED SYSTEM

The high number of feed wheels ensures that the workpiece is fed correctly, without jamming. The feed system is constructed with gear boxes and universal cardan joints driven by powerful motors that can handle the most demanding conditions.

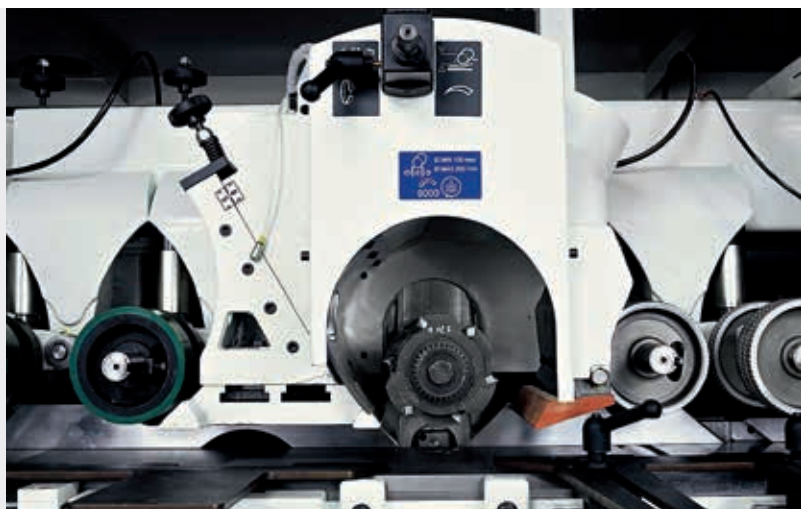
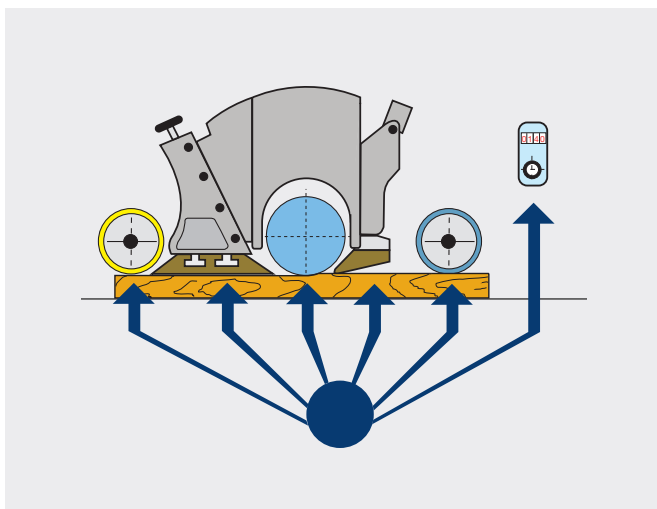


### INDEPENDENT MOTORS

Each machining unit in the machine has its own motor. This lets users customise each power level according to the profiles being produced.

# superset tx

standard equipment



## SET UP

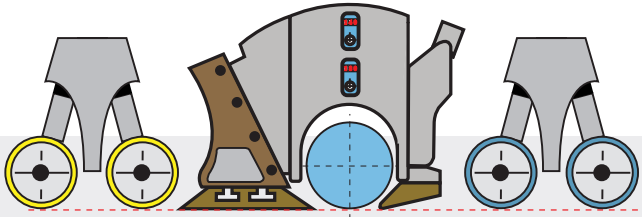
Setup machine reduces down times and eliminates the possibility of errors. Tool changes and adjustments can be carried out by setting the minimum tool diameter.



## ERGONOMICS

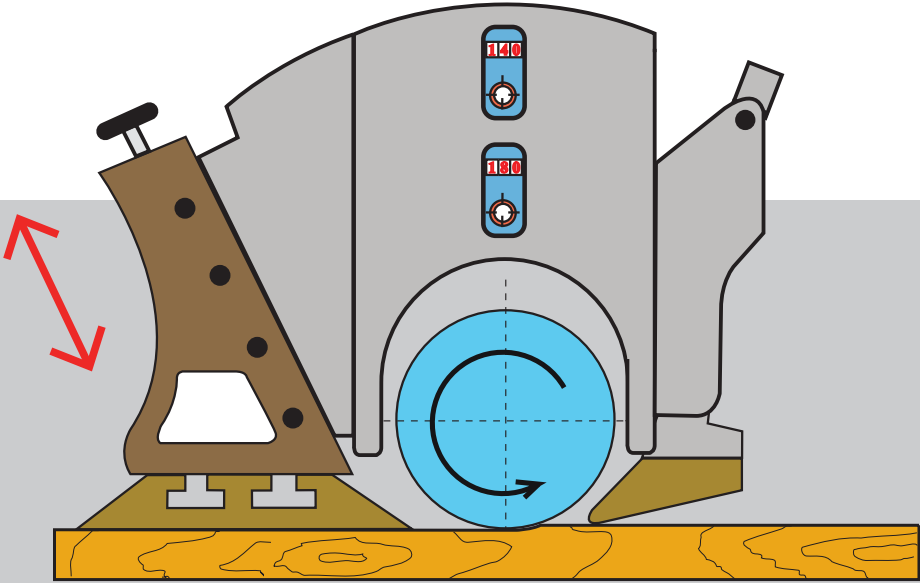
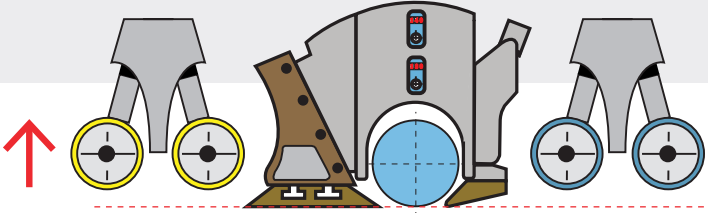
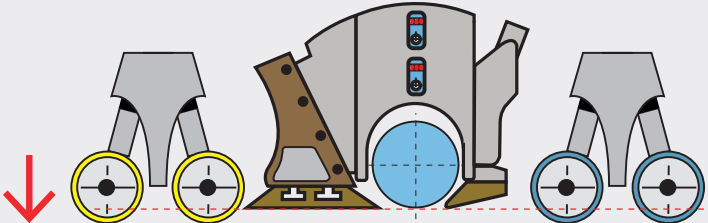
The controls are positioned on the front of the machine to guarantee easy access for the operator, even with the cabin closed. The practical mobile control panel provides greater operator safety.





**AUTOMATIC ALIGNMENT DEVICE**

Due to the presence of the independent lifting from the horizontal spindles, the feed system can be aligned or misaligned in relation to them. This allows the machining of batches with different thicknesses and the quickly free pieces are held down.



**PRESSER SHOE**

A presser shoe with tilting movement is fitted at the outfeed to the upper horizontal units to guarantee that the workpieces are pressed correctly and avoid blockages or lifting to ensure an optimal finish.

# superset tx

options



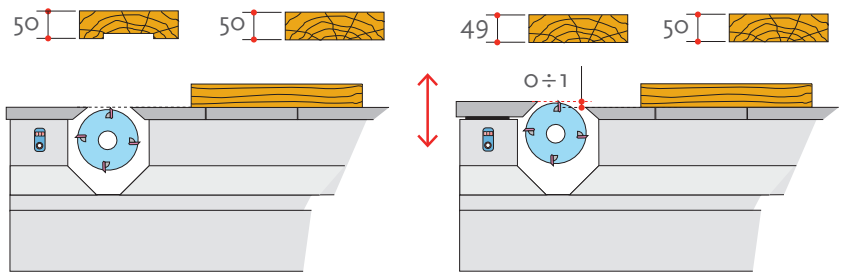
## T-SET TOOLS LOCKING DEVICE

Due to the use of a compressed air gun, supplied with the machine, tool changes are even simpler and faster.



## SPINDLES WITH HSK TAPER

To ensure working with small batches is more profitable, by reducing the tool change times, the machine can be fitted with spindles using HSK tapers. The HSK technology can be used for all types of tools, disposable knives or knives that can be re-sharpened.



**MICROMETRIC ADJUSTMENT OF THE WORKTABLES**

The height of the worktable can be adjusted after the lower horizontal spindles. This allows users to perform partial or total machining operations also with these units.



**UNIVERSAL SPINDLE**

360° adjustable unit designed to reach all work positions and guarantee further machine flexibility. A command on the front of the machine is used to lock it in position.

**ROLLERS IN THE WORKTABLE**

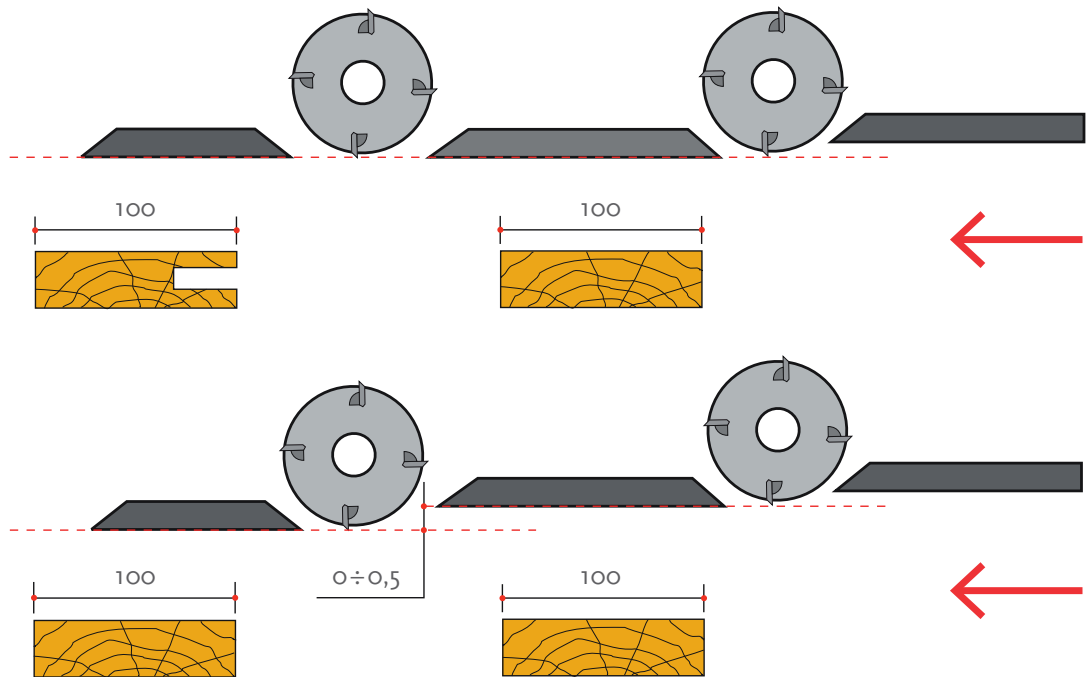
The machine can be fitted with motor driven rollers, integrated in the table, to guarantee a regular sliding movement of the workpiece, even with hard, resinous or very wet timber.





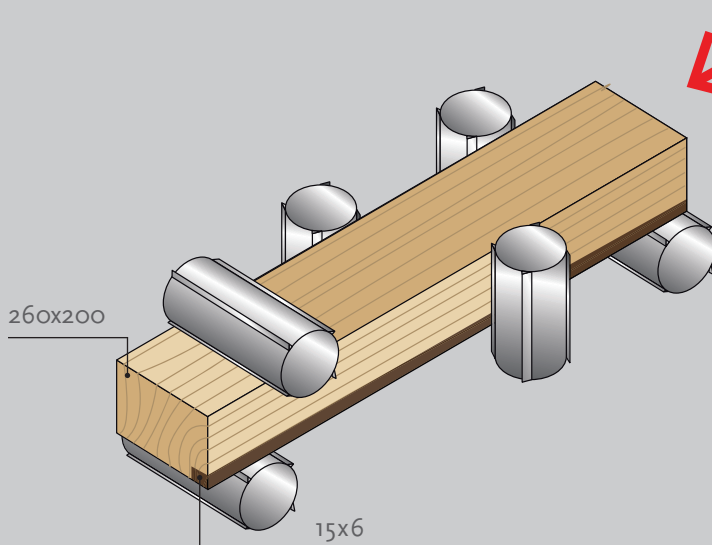
# superset tx

options



## ALIGNMENT/MISALIGNMENT RIGHT FENCE PNEUMATIC DEVICE

On/off pneumatic horizontal positioning for the first right vertical spindle and fence included between the right verticals with the selector, to perform partial or complete profiles on the second right spindle.



## MACHINING CAPACITY

The ideal machine for all types of machining (building, joinery, carpentry, furniture), thanks to the wide range of workpiece dimensions that can be machined.

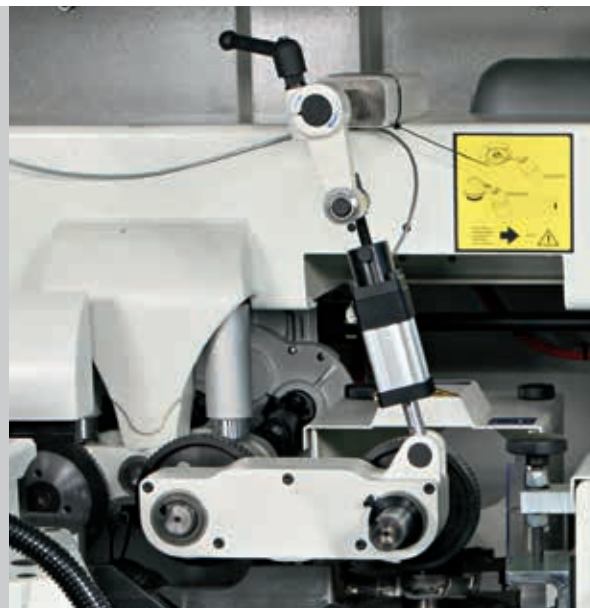
The minimum section that can be machined is 15x6 mm.

The maximum section that can be machined is 260x200 mm.



**SPINDLE LOCK**

Pneumatic device, located on the front of the machine, used to lock the spindles in position and guarantee optimal finishing levels of the workpiece.



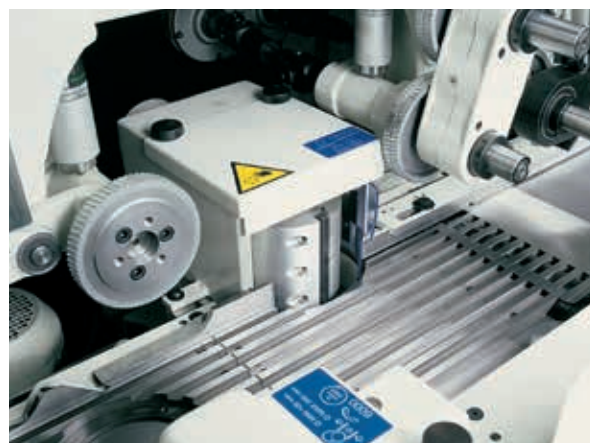
**TANDEM UNIT**

Reduces the axial distances and improves the workpiece feed system thanks to more feed wheels gripping the workpiece.



**LEFT VERTICAL SPINDLE AUTOMATIC ADJUSTMENT DEVICE**

Allows users to machine sequences of workpieces with different widths automatically, without the machine stopping to reset different measurements.

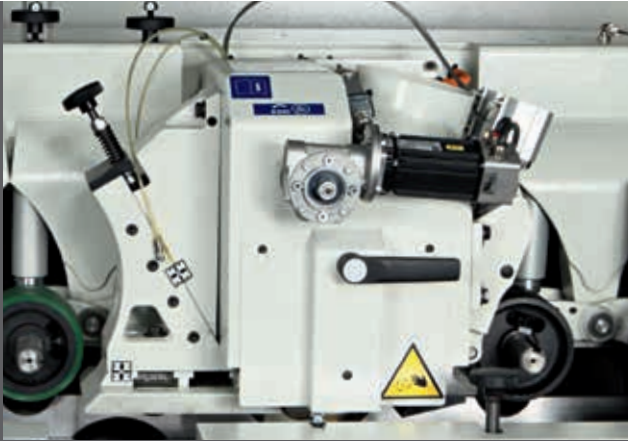


**GROOVED WORKTABLE**

Grooved worktable for machining short or badly trimmed parts.

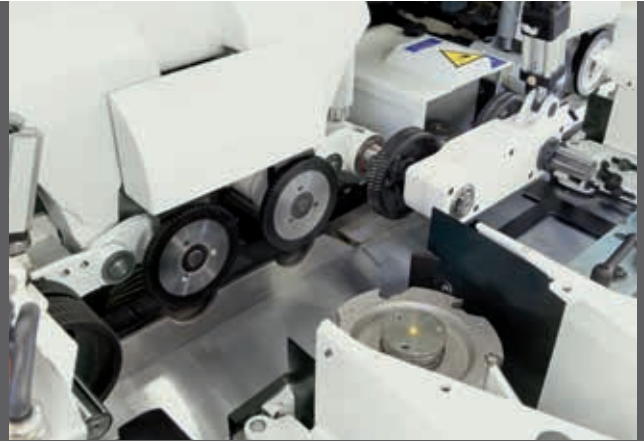
# superset tx

electronic **adjustments**



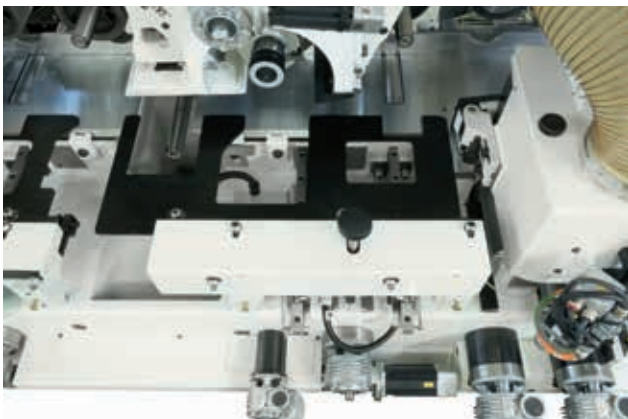
## **ELECTRONIC SET UP**

For the most demanding situations all the movements can be electronically controlled, including the setting up.



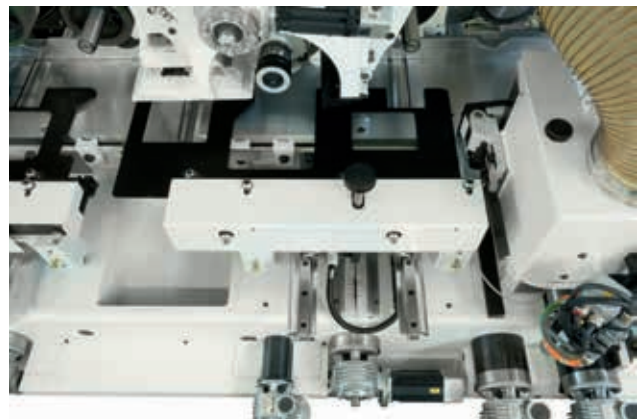
## **WHEELS AT THE LEFT VERTICAL WITH ELECTRONIC MOVEMENT**

Allows the optimal positioning of the wheels in front of the left vertical, based on the workpiece width, to guarantee greater precision and finish and reduce machine tool changing times.



## **ELECTRONIC LEFT FENCE**

The electronic left fence, after the left vertical spindle, allows the automatic alignment to the minimum tool diameter and guarantees the correct workpiece pressure against the right fences, without requiring any intervention from the operator.





## software

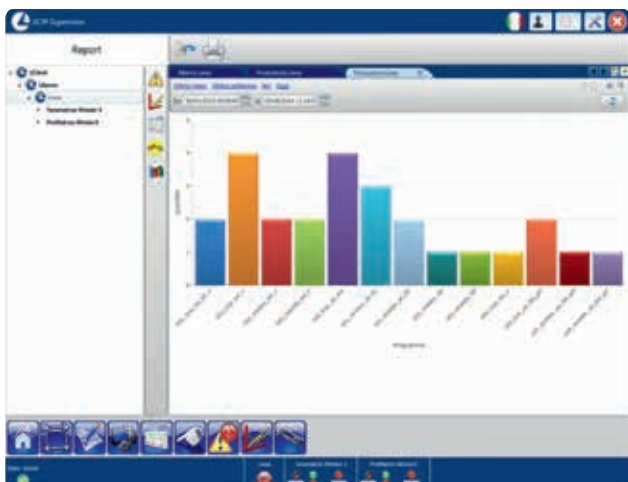


### MOBILE PC

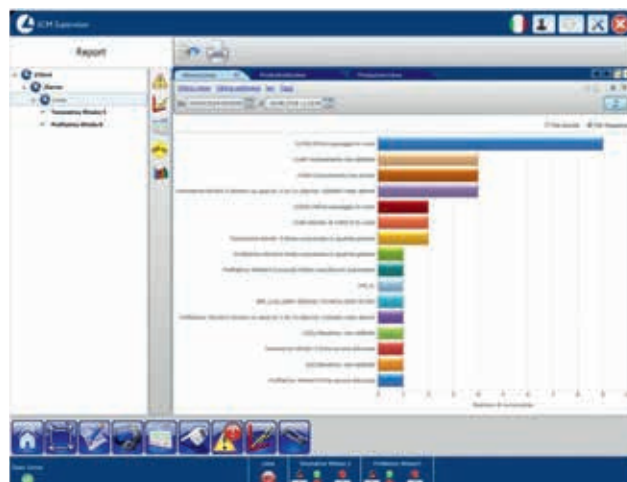
Electronic control designed to manage the axial and radial movements of all the machining units and all the other devices that can be controlled electronically, from the NC.

This is possible with the innovative electronic control, developed by SCM, that ensures:

- easy machine management
- extremely efficient production control
- generation of reports on productivity, rejects, alarms, etc
- display of the workpiece tracking
- generation of reject mixes



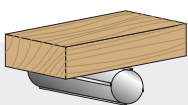
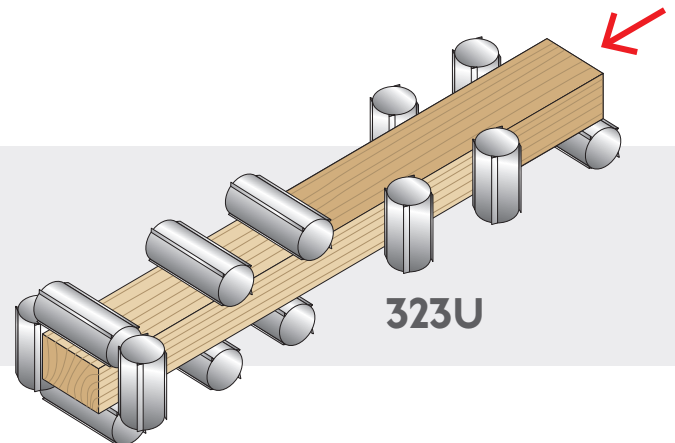
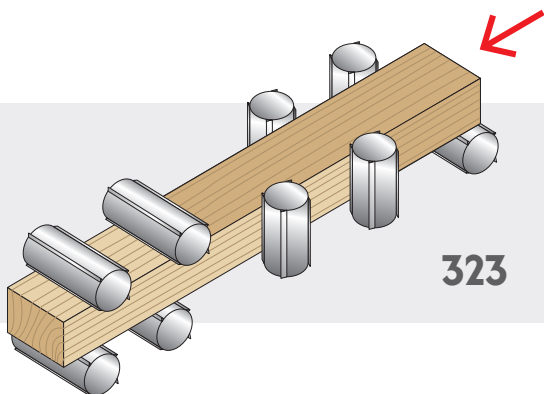
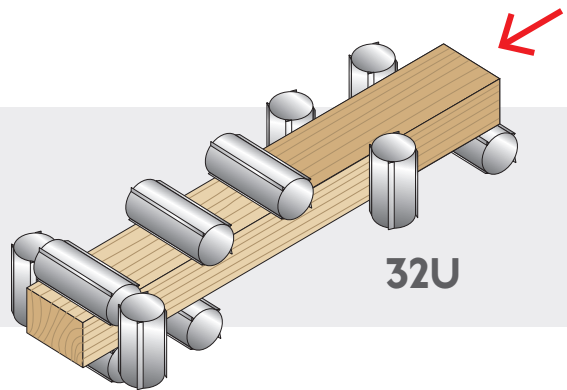
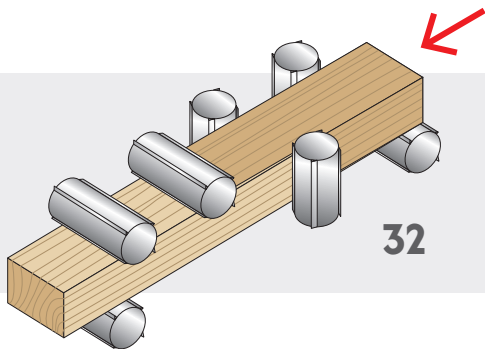
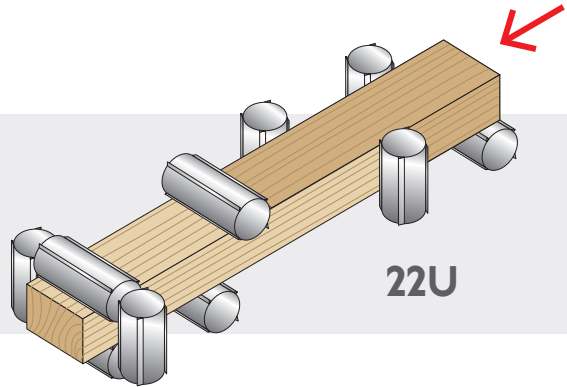
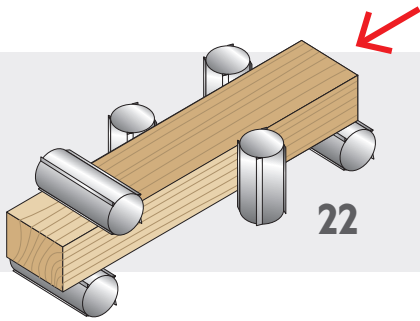
**PRODUCTIVITY REPORT  
PER TYPE OF WORKPIECE**



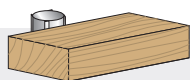
**REPORT ON ALARM FREQUENCY  
AND TYPE**

# superset tx

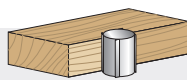
machine compositions



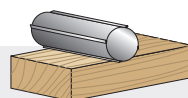
BOTTOM  
HORIZONTAL  
SPINDLE



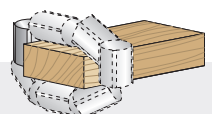
RIGHT  
VERTICAL  
SPINDLE



LEFT  
VERTICAL  
SPINDLE



TOP  
HORIZONTAL  
SPINDLE

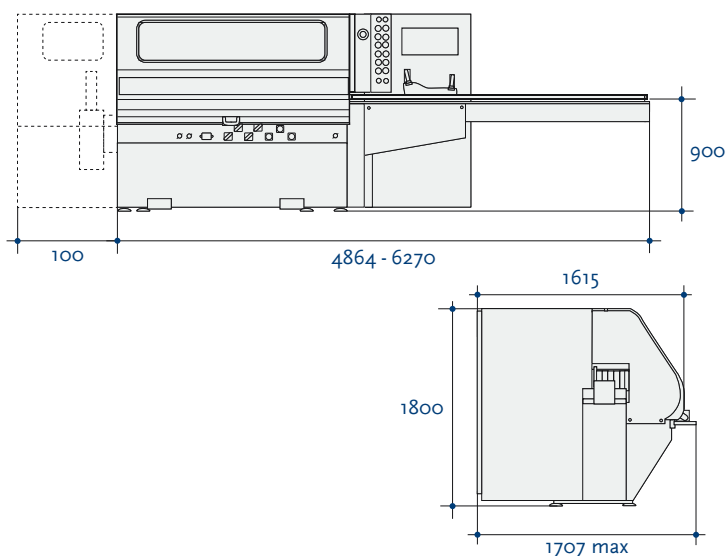


UNIVERSAL  
SPINDLE

## SUPERSET TX

## Technical specifications

AUTOMATIC THROUGHFEED MOULDER		SUPERSET TX
Minimum / Maximum working width (finished section)	mm	15 / 260
Minimum working thickness (finished section)	mm	6
Minimum workpiece length (single piece)	mm	640 (470 opt)
Feed speed	m/min	6 - 36
Motor power	HP (kW)	5,5 (4)
Spindle speed	rpm	6000
Tool spindle diameter	mm	40
Axial adjustment of vertical spindles from worktable	mm	80
Axial adjustment of horizontal spindles from right guide	mm	45
Min./Max. diameter of planer tool	mm	120 / 140
Min./Max. diameter of moulder tool	mm	100 ÷ 220
Chuck holder cylinder diameter	mm	120



## MAIN OPTIONS

- Motor power up to 25 HP (18,5 kW)
- Speed up to 60 m/min
- Spindles with HSK tool holder
- Chrome-finish tables and fences
- Grooved worktable
- Automatically adjusted left-hand vertical spindle
- Spindle speed of rotation 8300 rpm
- Set-up for cutting with multiple blades
- Electronic control

## NOISE AND DUST

model	Sound emission according to ISO 796095/H				Sawdust emission according to DIN-33893-2			
	Operator position LA eq [dB (A)]				[mg/m <sup>3</sup> ]			
	Workpiece infeed		Workpiece outfeed		1st station	2nd station	3rd station	4th station
Machine idle	Machine working	Machine idle	Machine working					
SUPERSET TX	76,5	90,5	68,6	84	0,34	0,32	0,20	0,37



# THE STRONGEST WOOD ARE IN OUR DNA

## SCM. A HERITAGE OF SKILLS IN A UNIQUE BRAND

Over 65 years of success gives SCM the centre stage in woodworking technology. This heritage results from bringing together the best know-how in machining and systems for wood-based manufacturing. SCM is present all over the world, brought to you by the widest distribution network in the industry.

**65** years history

**3** main production sites in Italy

**300.000** square metres of production space

**17.000** machines manufactured per year

**90%** export

**20** foreign branches

**350** agents and dealers

**500** support technicians

**500** registered patents

In SCM's DNA also strength and solidity of a great Group. The SCM Group is a world leader, manufacturing industrial

## SCM GROUP, A HIGHLY SKILLED TEAM EXPERT IN INDUSTRIAL

### INDUSTRIAL MACHINERY

Stand-alone machines, integrated systems and services dedicated to processing a wide range of materials.

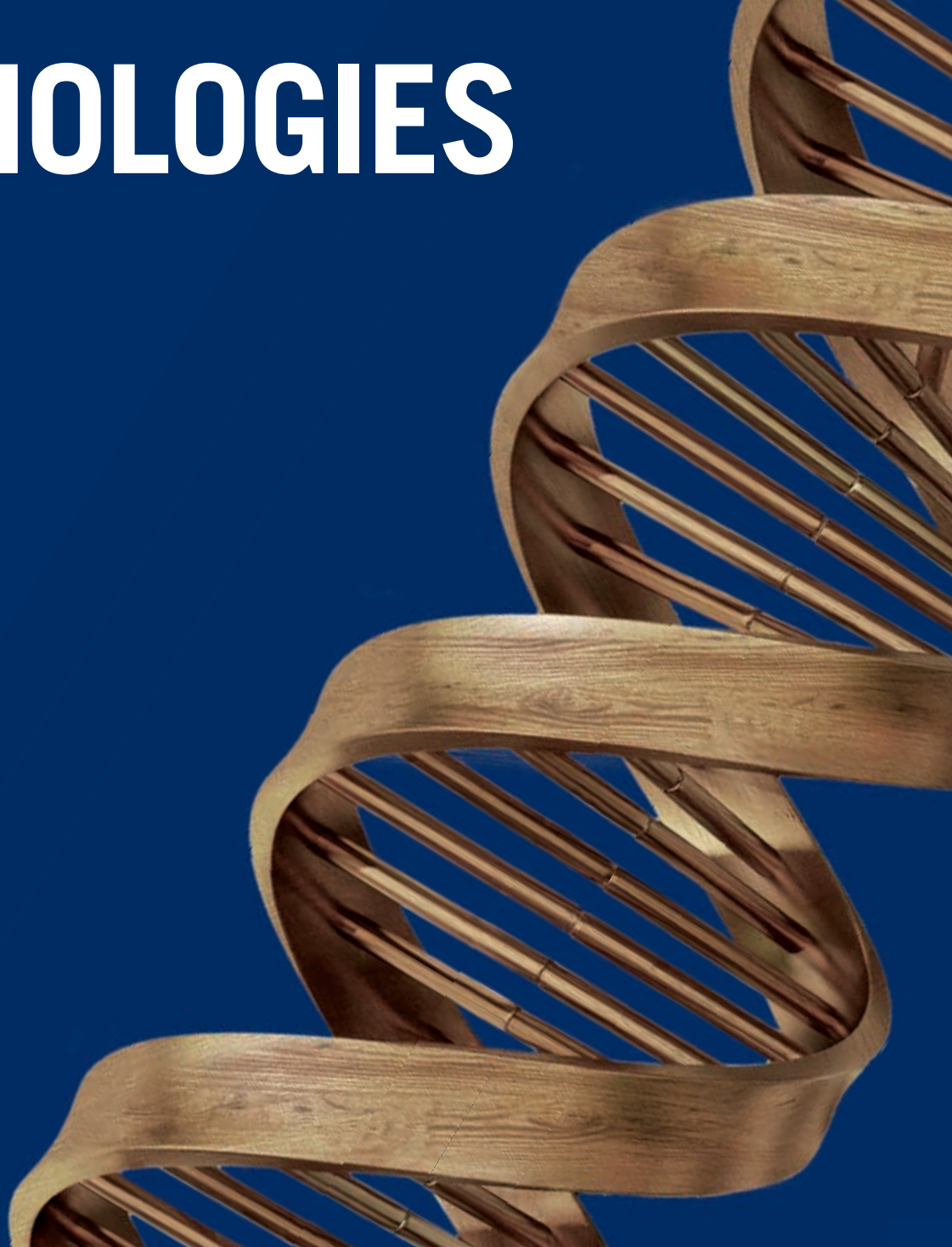


WOODWORKING TECHNOLOGIES



TECHNOLOGIES FOR PROCESSING  
COMPOSITE MATERIALS, ALUMINIUM,  
PLASTIC, GLASS, STONE, METAL

# TECHNOLOGIES



equipment and components for machining the widest range of materials.

## MACHINES AND COMPONENTS

### INDUSTRIAL COMPONENTS

Technological components for the Group's machines and systems, for those of third-parties and the machinery industry.

**HITECO**

SPINDLES AND TECHNOLOGICAL  
COMPONENTS

**Les**

ELECTRIC PANELS

**steelmec**

METALWORK

**scmfonderie**

CAST IRON



*The technical data can vary according to the requested machine composition. In this catalogue, machines are shown with options. The company reserves the right to modify technical specifications without prior notice; the modifications do not influence the safety foreseen by the CE Norms.*



*is more*



**SCM GROUP SPA**

via Casale 450 - 47826 Villa Verucchio, Rimini - Italy  
tel. +39 0541 674111 - fax +39 0541 674274  
housing@scmgroup.com  
www.scmwood.com



00L0372855E