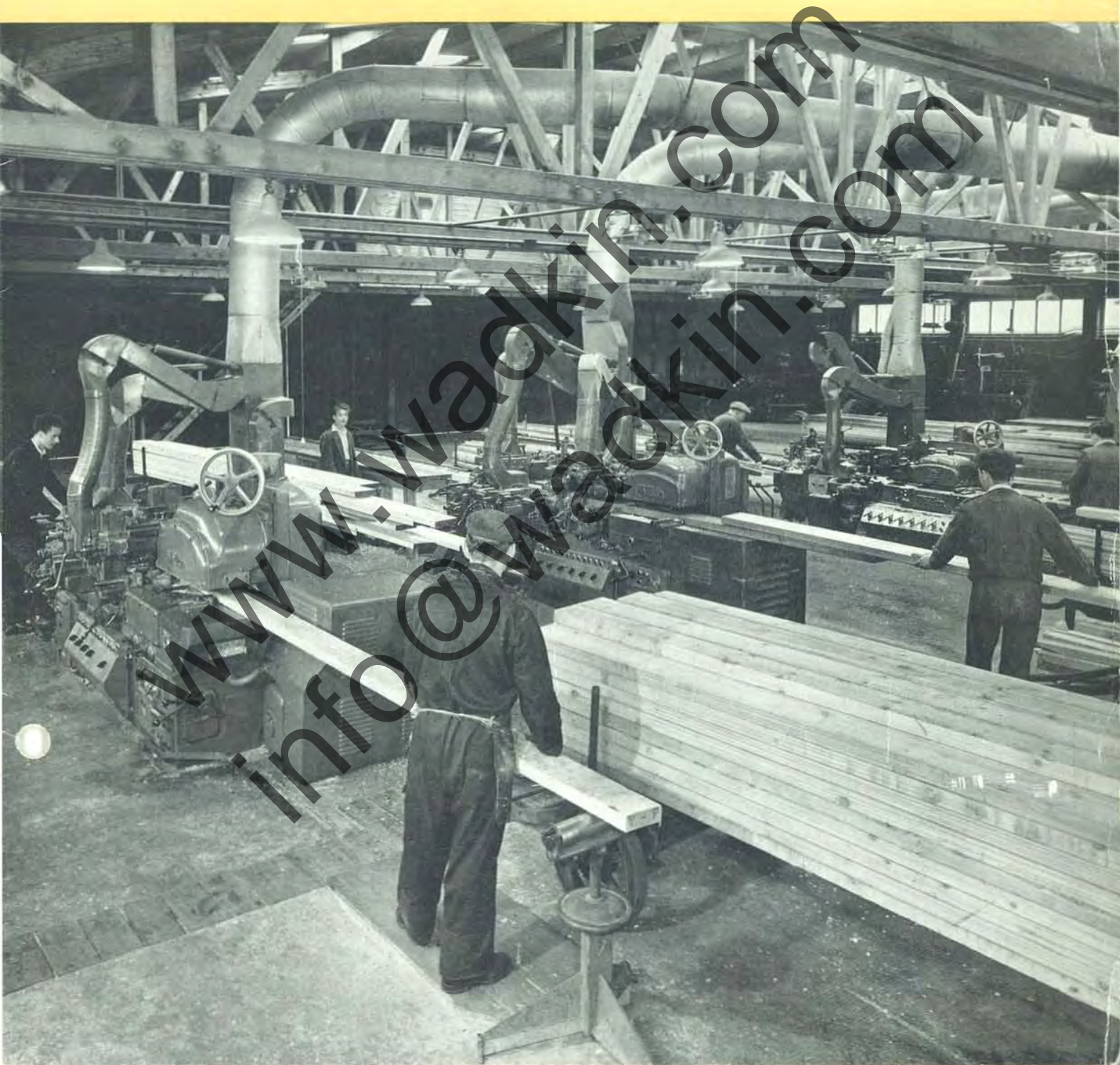


Wadkin

Electric Planing and Moulding Machine Type F.D.

Size 8" x 4"



Wadkin

8" × 4" Planing and Moulding Machine F.D.

The basic machine in any well balanced woodworking plant is an efficient general purpose moulder. Opinion varies as to what, under modern manufacturing conditions, constitutes moulder efficiency. In one branch of the trade, accuracy and finish is the criterion—in another, quantity and speed of production is the paramount consideration—where runs are short and changes of pattern frequent, versatility and adaptability are the measure of efficiency.

All these varying requirements are met by this Wadkin F.D. type electric moulder, as witness the ever-increasing number of these machines being supplied to the different branches of the woodworking industry.

In the light of the many operating advantages and vastly improved performance of this modern machine, users soon find that it is uneconomic to operate old style moulders. Such machines are far too wasteful of both time and labour to justify a place in a properly equipped shop.

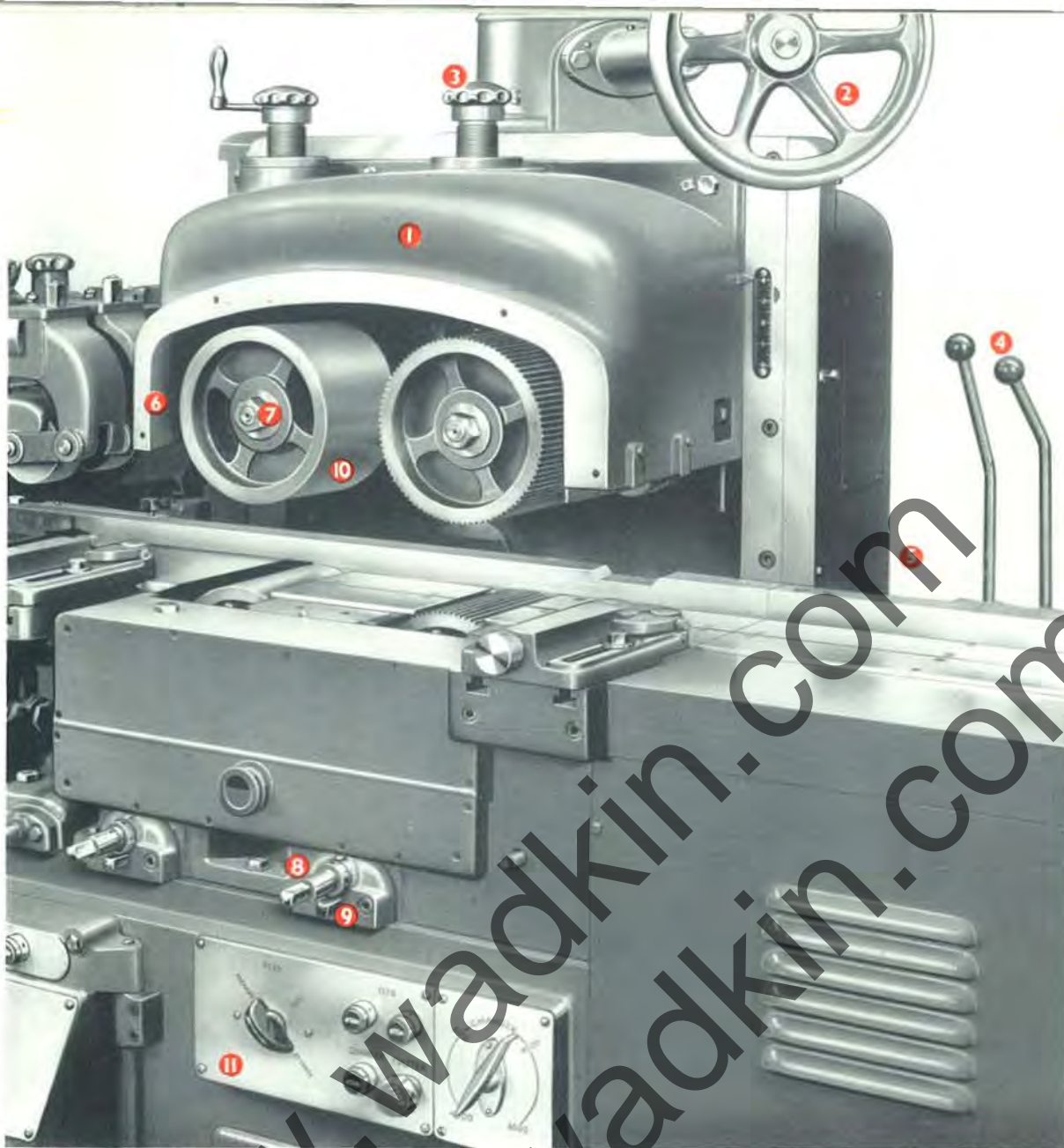
It would pay you, too, to replace your unprofitable old machines with a modern Wadkin. Its capabilities not only make it a sound investment, but its obvious efficiency and modern appearance could not fail to impress all who see it in operation in your plant with the fact that here is a progressive manufacturer whose key machines are in keeping with the tempo of the times.





Wadkin

8"×4" Planer and Moulder
Type F.D.

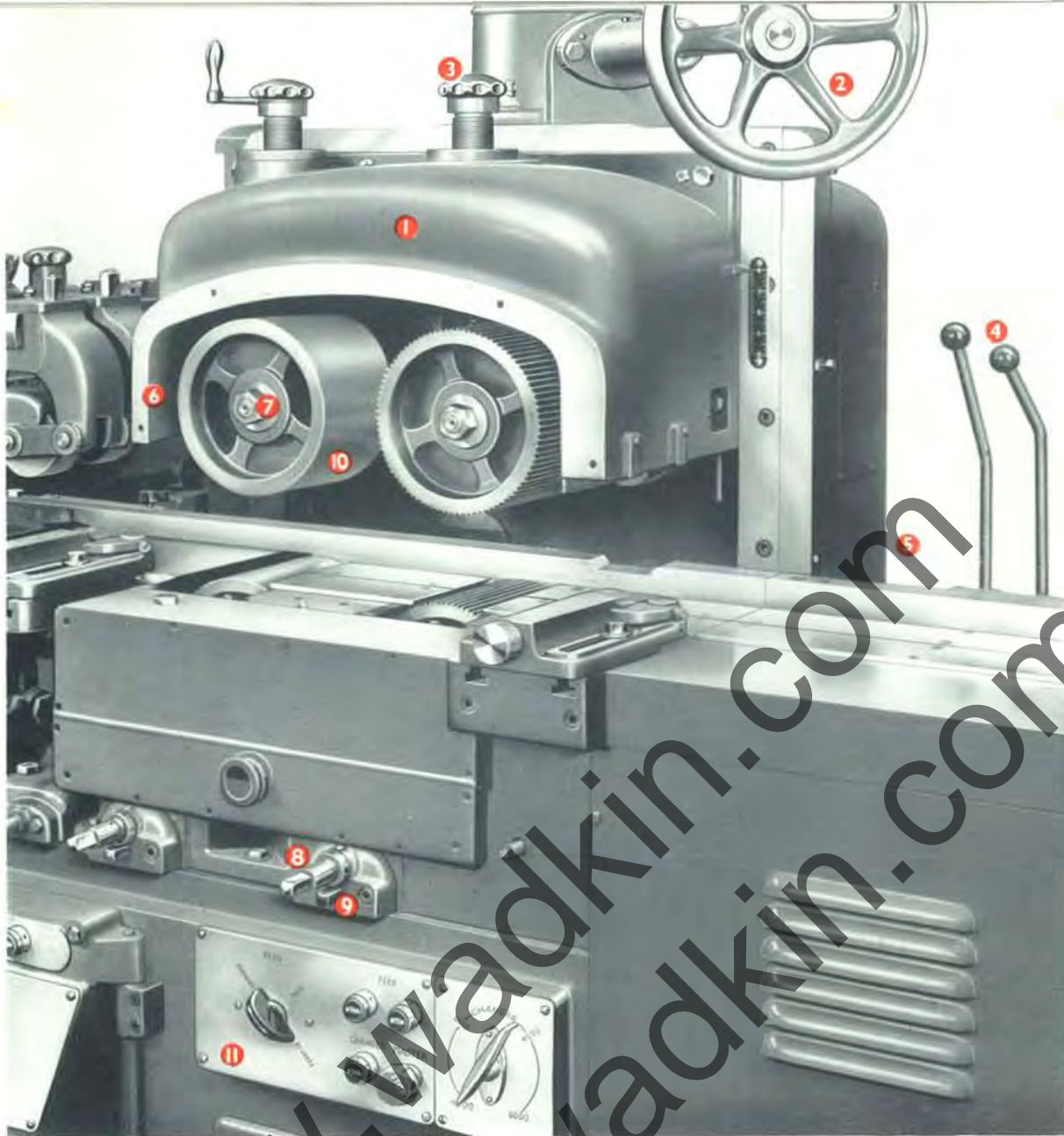


Front cover removed to show detail of feed.

FEATURES at the INFEED

- 1 Entire feed works are of robust construction designed to give maximum tractive effort.
- 2 Exceptionally light and easy rise and fall of feed with conveniently placed handwheel control.
- 3 Independent spring pressure to top rolls, applied by convenient handwheels.
- 4 Feed selection accessible from front of machine. Speed range: 18 to 150 feet per minute; feed speeds up to 200 feet per minute can be supplied to special order.
- 5 Feed drive is by two-step cone drive to a six-speed gearbox. Rear feed works drive is totally enclosed and all chains and gears run in oil bath.
- 6 Cover is quickly removed and top rolls easily detachable for fitting bevel rollers.
- 7 All feed roller shafts are ball and roller bearing mounted.
- 8 Independent vertical adjustment to bottom feed rollers.
- 9 Adjustment for pitching bottom feed rollers to keep timber up to fence when feeding.
- 10 Top feed rolls are 8 $\frac{3}{8}$ " diameter and bottom feed rolls 8" diameter. First top and bottom are fluted, and second top and bottom plain. Top rolls lift $\frac{3}{4}$ " for oversize stock.
- 11 Feed can be started, inched forward and reversed from this control station.

Note: A patented pneumatic feed works to give variable pressure and instant lift to the top feed works can be offered as shown on page 16

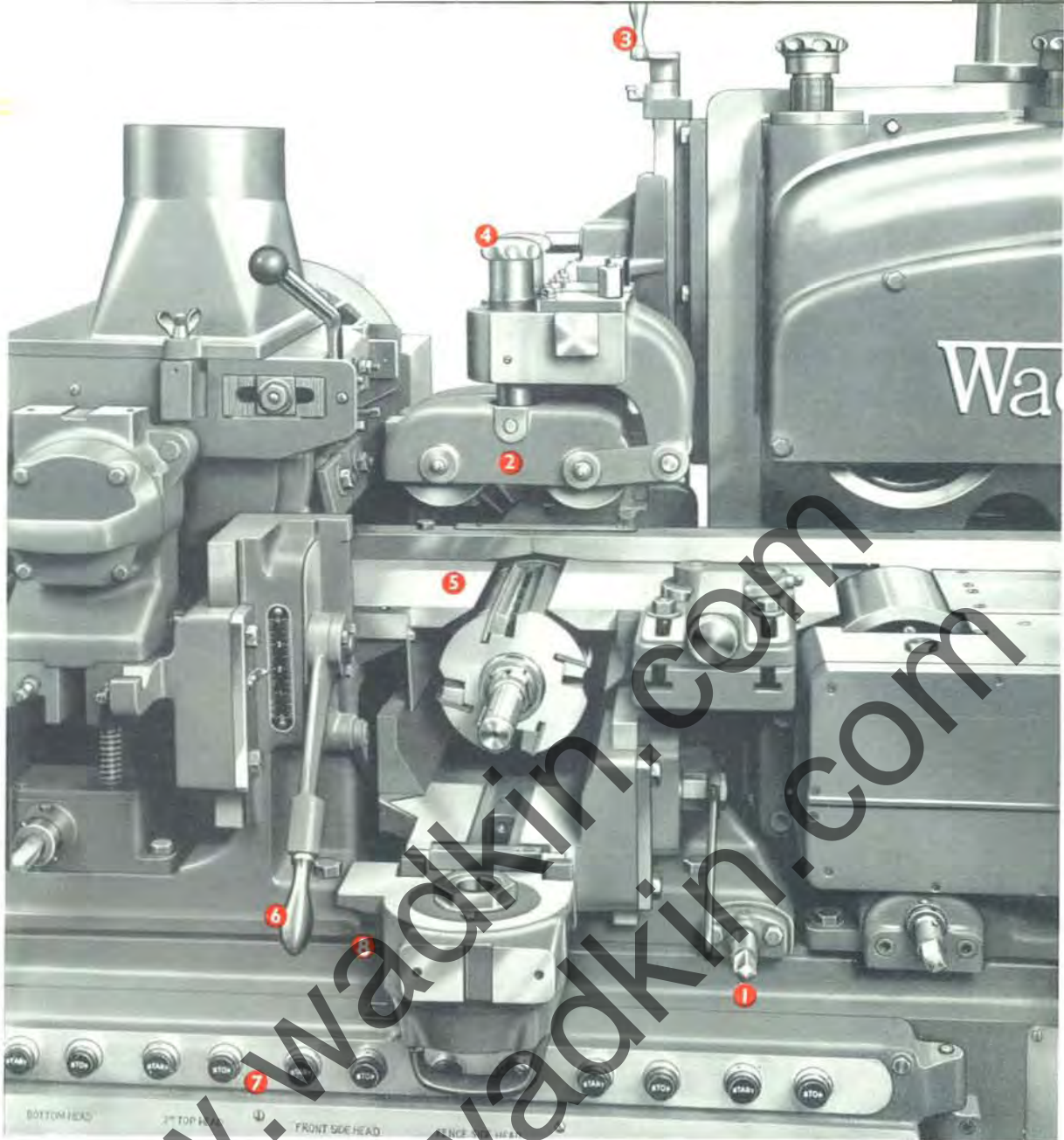


Front cover removed to show detail of feed.

FEATURES at the INFEED

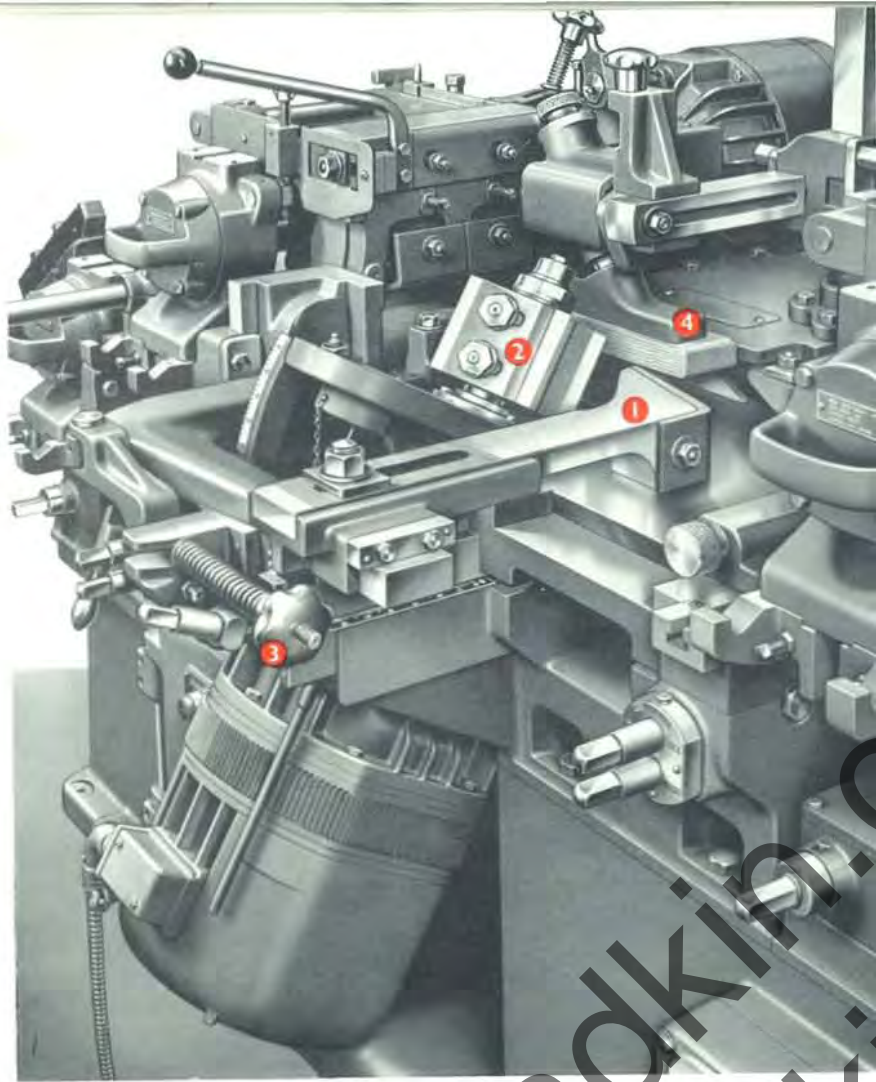
- 1 Entire feed works are of robust construction designed to give maximum tractive effort.
- 2 Exceptionally light and easy rise and fall of feed with conveniently placed handwheel control.
- 3 Independent spring pressure to top rolls, applied by convenient handwheels.
- 4 Feed selection accessible from front of machine. Speed range: 18 to 150 feet per minute; feed speeds up to 200 feet per minute can be supplied to special order.
- 5 Feed drive is by two-step cone drive to a six-speed gearbox. Rear feed works drive is totally enclosed and all chains and gears run in oil bath.
- 6 Cover is quickly removed and top rolls easily detachable for fitting bevel rollers.
- 7 All feed roller shafts are ball and roller bearing mounted.
- 8 Independent vertical adjustment to bottom feed rollers.
- 9 Adjustment for pitching bottom feed rollers to keep timber up to fence when feeding.
- 10 Top feed rolls are 8 $\frac{3}{8}$ " diameter and bottom feed rolls 8" diameter. First top and bottom are fluted, and second top and bottom plain. Top rolls lift $\frac{3}{4}$ " for oversize stock.
- 11 Feed can be started, inched forward and reversed from this control station.

Note: A patented pneumatic feed works to give variable pressure and instant lift to the top feed works can be offered as shown on page 16



FEATURES at the FIRST HEAD

- 1** Rise and fall adjustment for table on inclined wedge slide.
- 2** Roller pressure units over first bottom head, each quickly adjusted to suit width of stock.
- 3** Rise and fall adjustment for roller pressure units.
- 4** Independent adjustment to spring loading on roller pressure.
- 5** All bed plates made from special hard-wearing nickel chrome iron. All bed plates are renewable.
- 6** Powerful locks provide utmost rigidity after final setting.
- 7** Electric control switches conveniently placed in relation to heads.
- 8** Rise and fall of spindle carriage is by two enclosed vertical screws operated by totally enclosed spiral gears. (This feature applies to all top and bottom heads.)

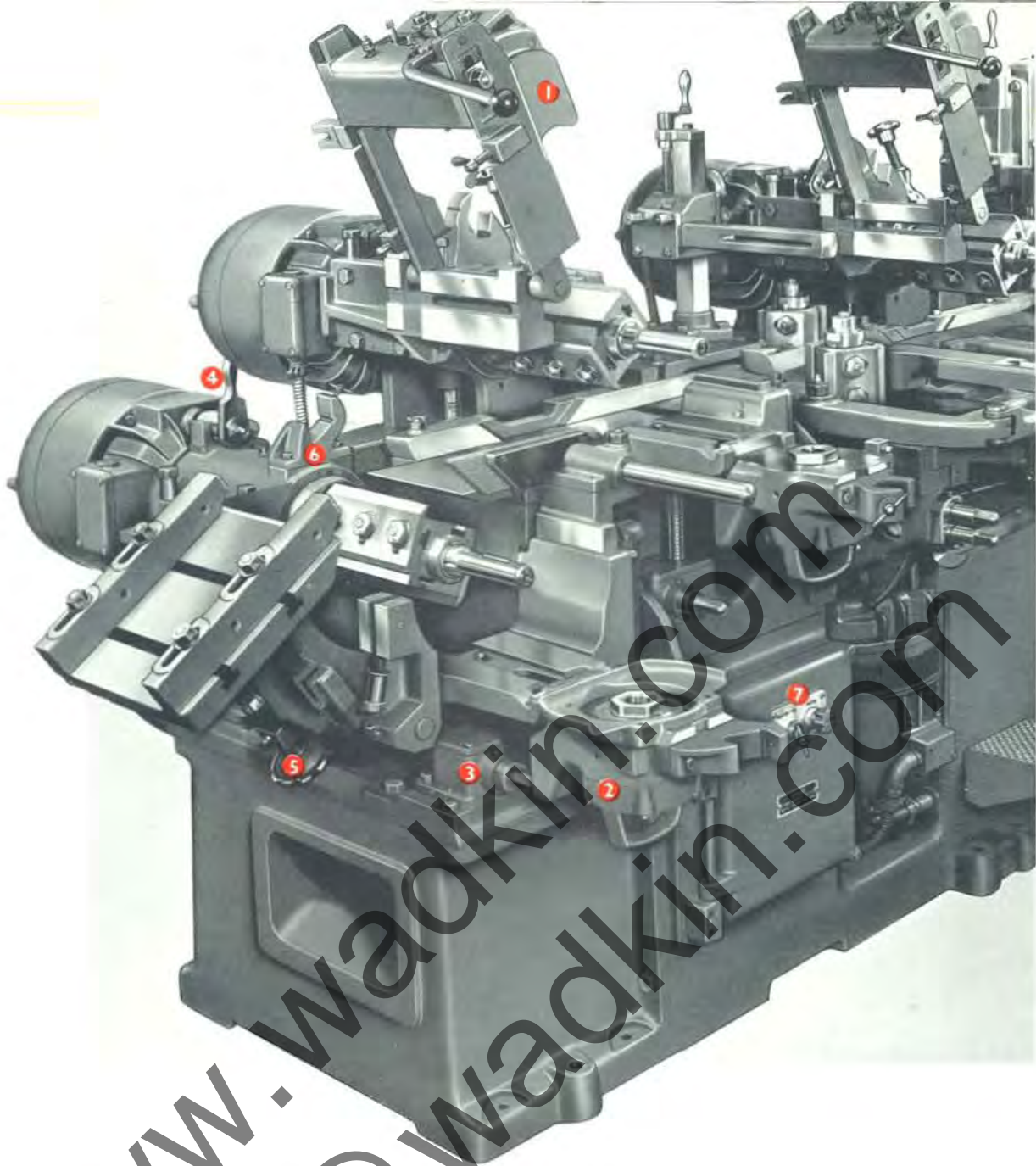


FEATURES at the SIDE HEADS

- 1 Radial arm chipbreaker fitted with renewable Stellite-tipped toe piece.
- 2 Side heads cant 45° inwards and 15° outwards.
- 3 Adjustable spring tension for radial arm chipbreaker.
- 4 Independent pad pressures, each spring loaded.
- 5 Cross adjustment to side heads easily accessible. Head, bed plate, chipbreaker and dust hood all move together. Efficient cross slide lock is provided after final setting.
- 6 Telescopic bed plates between side heads giving unbroken bed throughout the machine.
- 7 Vertical adjustment to each side head by ratchet and screw for quick setting.



Illustration left, has pressures and chipbreaker removed to show detail of table at side heads.



FEATURES at the OUTFEED

- 1 Top head radial arm chipbreaker fitted with independent spring pressure shoes with renewable Stellite-tipped toe pieces. Chipbreaker swings clear for access to block.
- 2 Swing away, patent outboard bearing unit with sleeve mounting having split collet lock to eliminate play between cutter spindle and bearing.
- 3 Rise and fall of spindle carriage is by two enclosed vertical screws operated by totally enclosed spiral gears.
- 4 Cross adjustment to spindle unit to facilitate quick set-ups. Adjustments can be made whilst machine is running.
- 5 Outfeed table with rise and fall motion by hand-wheel and screw. Counterbalanced table swings away to give access to cutterblock.
- 6 Jointer can be fitted to all heads.
- 7 Duplicate feed control to facilitate setting up and duplicate master stop button. (Similar controls are at infeed end.)



The Wadkin Spindle Unit

The heart of the Wadkin Moulder—and the key to its efficiency

Good moulder work depends on a combination of many engineering features, but no matter how efficiently the machine may function in other respects, ultimate satisfactory performance depends primarily on the main cutter spindles.

The distinguishing characteristic of Wadkin Moulders is that the spindles are all self-contained direct motorised units high frequency operated. The Wadkin spindle housing is a cylinder. In fact every part of the entire spindle assembly—spindle, bearings, collars, caps, housing, motor—is cylindrically shaped. Each part has therefore a uniformity of metal distribution and all faces are developed round a common centre.

This unique design accounts for: first, steady, vibrationless spindle rotation at 6,000 or 4,500 r.p.m., giving uniform depth and spacing of knife marks which governs quality of finish; secondly, flexibility and speed of set-up, and thirdly, dependability with simplified maintenance.



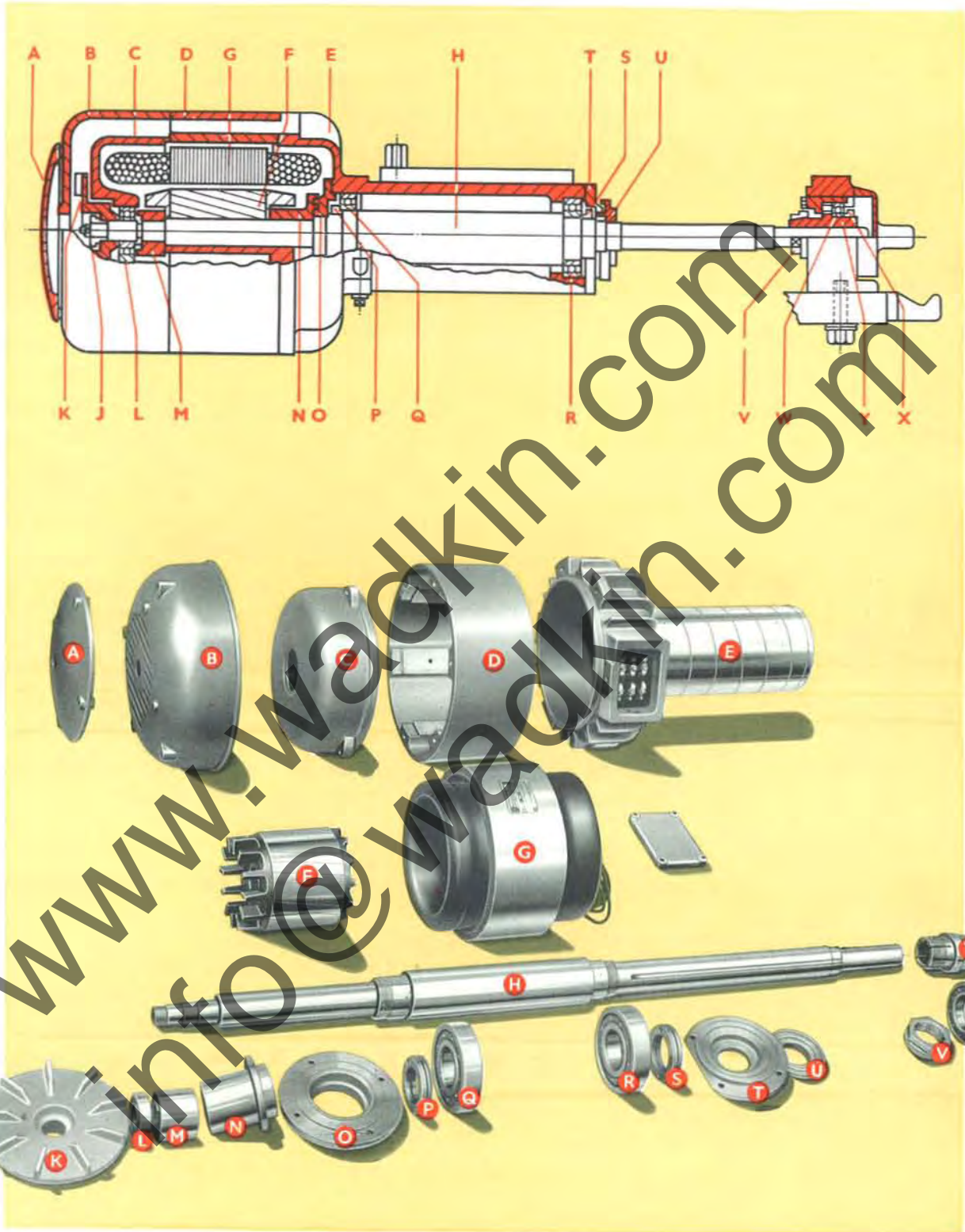
The Wadkin Spindle Unit

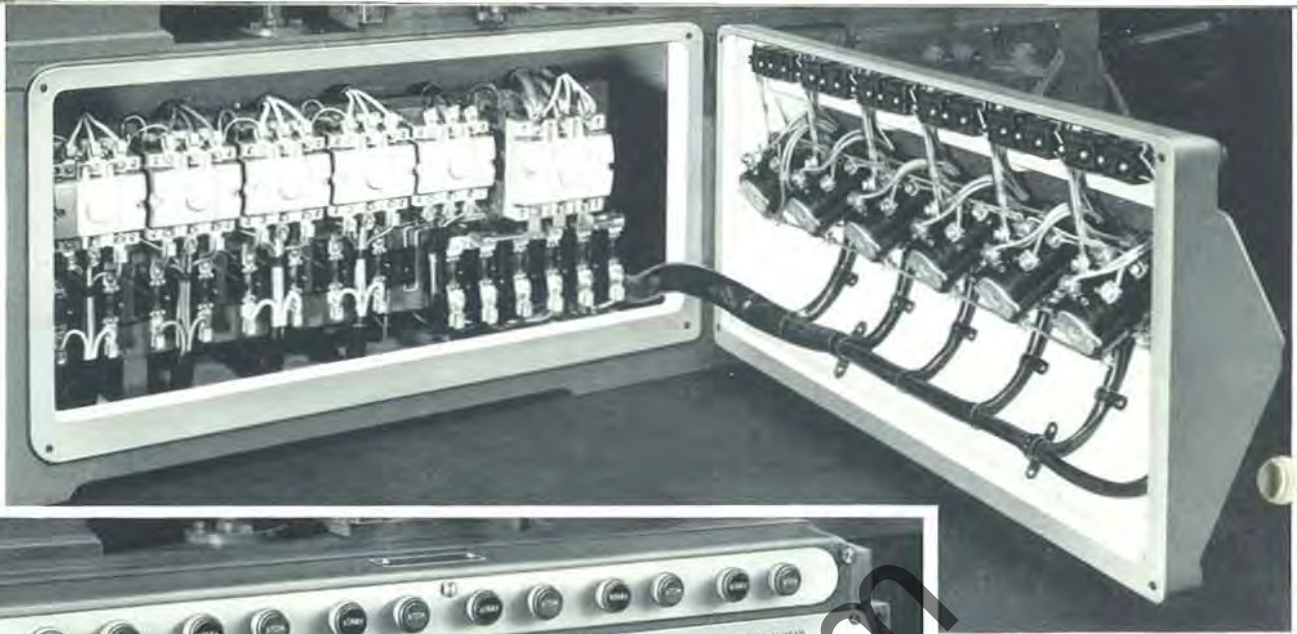
The heart of the Wadkin Moulder—and the key to its efficiency

Good moulder work depends on a combination of many engineering features, but no matter how efficiently the machine may function in other respects, ultimate satisfactory performance depends primarily on the main cutter spindles.

The distinguishing characteristic of Wadkin Moulders is that the spindles are all self-contained direct motorised units high frequency operated. The Wadkin spindle housing is a cylinder. In fact every part of the entire spindle assembly—spindle, bearings, collars, caps, housing, motor—is cylindrically shaped. Each part has therefore a uniformity of metal distribution and all faces are developed round a common centre.

This unique design accounts for: first, steady, vibrationless spindle rotation at 6,000 or 4,500 r.p.m., giving uniform depth and spacing of knife marks which governs quality of finish; secondly, flexibility and speed of set-up, and thirdly, dependability with simplified maintenance.





ELECTRIC FEATURES of the Wadkin Moulder

The Wadkin Moulder is supplied completely equipped electrically with motors, frequency changer, control gear and main switch with fuses.

All electrical equipment is made by leading British manufacturers with extensive service facilities throughout the world.

All electrical gear is self-contained with the machine. The machine is completely wired up in accordance with the best British machine tool practice. It is therefore supplied ready for connection to the purchaser's electricity supply.

All head motors consist of powerful stator and rotor units specially designed for moulder duty housed in totally enclosed aluminium frames and externally fan cooled.

Motors are directly on the spindles, for vibrationless running and are high frequency operated to give speeds of 6,000 and 4,500 r.p.m. when connected to a 50-cycle supply.

The control gear is designed to give maximum operating convenience.

Each headstock is individually controlled from a rotary selector switch having "Run" and "Brake" positions, used in conjunction with a separate start and stop push button and magnetic contactor.

The feed motor is controlled in a similar manner with the exception that the selector switch enables the motor to be selected for "Forward", "Reverse" or "Inch" motions.

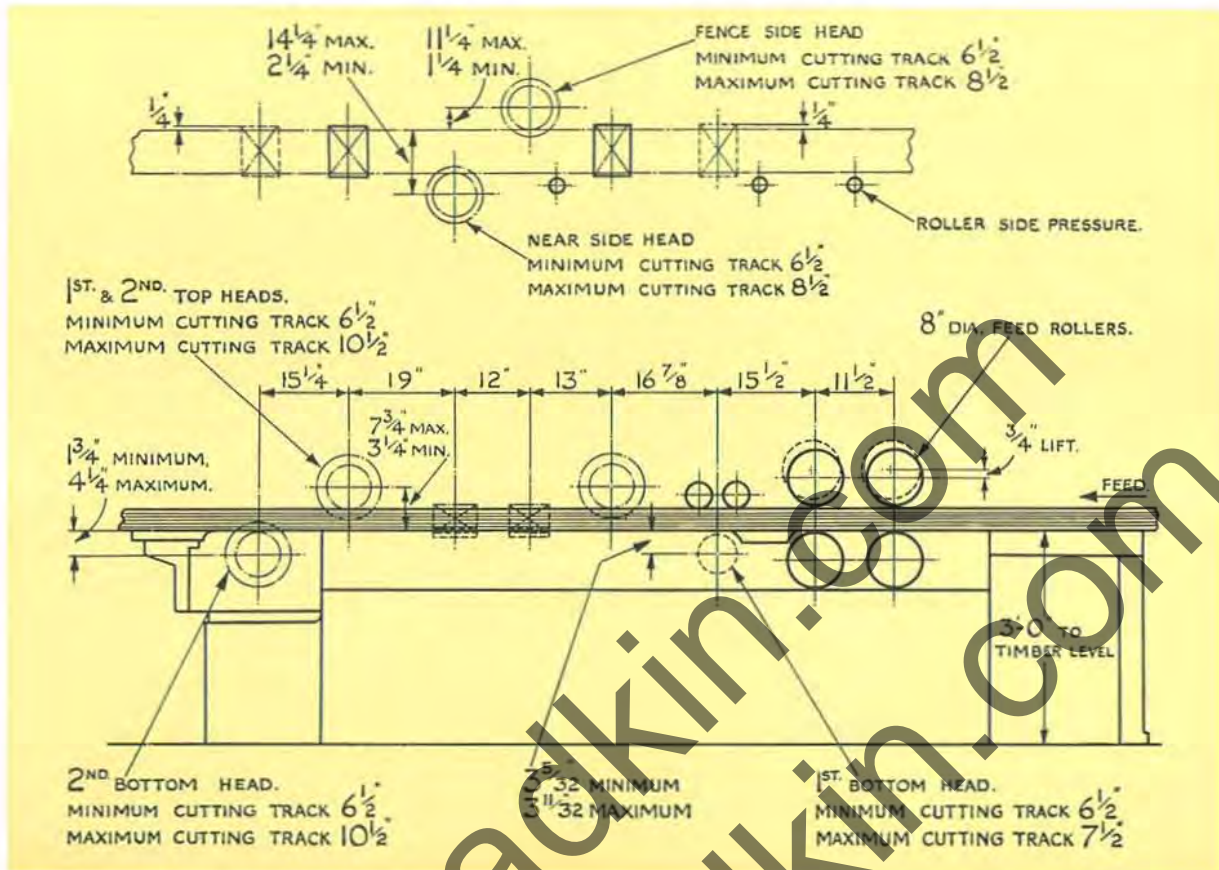
Full protective features are embodied in control gear.

No moulder has more operating advantages to reduce set up and adjustment times

The Wadkin Moulder has been designed to provide the maximum convenience for setting up. All mechanical adjustments are from the front of the machine. Pressures are quickly removed, chipbreakers swing clear, out-board bearings hinge downwards, dust hoods withdraw; every advantage in fact is given to the operator for reducing idle time and keeping the Wadkin Moulder producing.

Using preset blocks, a Wadkin can be changed from one job to another in less time than any other moulder.





Principal Dimensions and Capacities

Maximum size timber admitted	8 ¹ / ₂ " × 4 ¹ / ₂ " (220 × 120 mm.)
Length of cutterblocks for horizontal heads	8 ¹ / ₂ " (215 mm.)
Length of side head blocks	4 ¹ / ₂ " (110 mm.)
Minimum cutting circle, all heads	6 ¹ / ₂ " (165 mm.)
Maximum cutting circle:	
First bottom head	7 ¹ / ₂ " (190 mm.)
Top heads	10 ¹ / ₂ " (265 mm.)
Side heads	8 ¹ / ₂ " (215 mm.)
Optional second bottom	10 ¹ / ₂ " (265 mm.)
End adjustment, all heads	3 ¹ / ₄ " (19 mm.)
Side heads cant 45° in, 15° out.	
Diameter feed rolls	8" (203 mm.)
Feed speeds, feet per minute:	18, 25, 32, 45, 54, 75, 36, 50, 64, 90, 108, 150.
" " metres	5.5, 7.6, 9.7, 13.7, 16.4, 22.9, 10.9, 15.2, 19.5, 27.5, 32.9, 45.7.

Alternative speed range up to 200 feet (61m) per min. can be provided.

Spindle motors	10 h.p. at 6,000 r.p.m.
Diameter of spindle end	1 ¹³ / ₁₆ " (46 mm.)
Spindle speeds (on 50 cycle supply)	4,500 and 6,000 r.p.m.	
Spindle speeds (on 60 cycle supply)	4,800 and 6,000 r.p.m.	
Feed motor	7 ¹ / ₂ h.p.
Frequency changer	20 kw.
Floor space (5 head)	14' 0" × 4' 9" (4270 × 1450 mm.)	
Net weight (5 head)	7 tons (15,680 lbs.) (7110 kilos.)	
Gross weight (5 head)	7 ³ / ₄ tons (17,360 lbs.) (7870 kilos)	
Shipping dimensions	370 cu. ft. 10.5 (cu. met.)

Details included with machine:

All motors and control gear and all wiring. Frequency changer and wiring. Mains isolating switch. One square cutterblock to each head complete with sleeves, cutterbolts, nuts and cutters. Exhaust hoods to each head. Feed in table and covers. Oil gun, grease gun and samples of oil and grease.

Alternative Head Arrangements

F.D.81. 4 Heads

The basic principle governing the head arrangements offered in the Wadkin Moulder is that the bottom head should be first, followed by a fence side head, in order to produce a bottom face and one edge square and true to enable the stock to feed smoothly and evenly along the bed and up to the fence, whilst the remaining faces are machined. As it is not normally practical to mould on the first bottom head, the 4 Head Machine F.D.81 is in consequence restricted in its scope of working and will not in general handle double-sided moulds.

F.D.82. 5 Heads

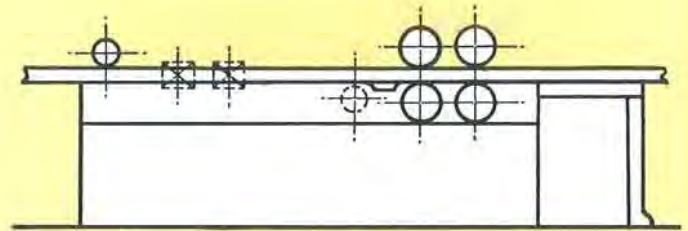
When a second bottom head is introduced as in this arrangement, a greater variety of work is permissible including double-sided patterns.

F.D.85. 5 Heads

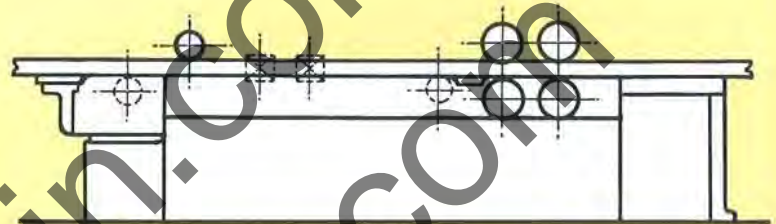
The fifth head in this case is introduced as a top head before the side heads. This permits of thickening unevenly sawn stock and bringing it under pad pressures, before subsequent machining. It also permits of a heavy mould required on the side to be relieved by a top head thus assisting the finish from the side head. Similarly it is useful for relieving the finished mould on the second top head.

F.D.86. 6 Heads

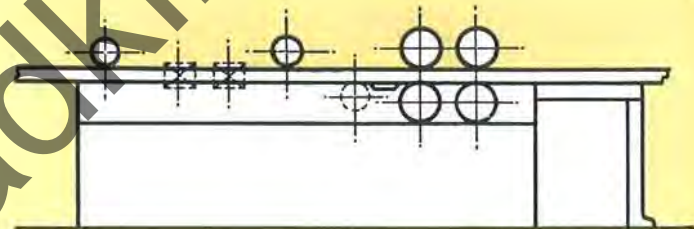
This type embodies six heads and is the most versatile of all the arrangements. It offers all the advantages of the 5-Head F.D.85, with the further advantage that double-sided patterns can be worked. It is also very adaptable for dealing with timber that may have dust or grit embedded due to lengthy stacking, as the first top and bottom heads can be fitted with chippers for cleaning up the stock before striking the mould on the last top and bottom heads. The proximity of these last heads also assists accuracy when running multiple moulds or splitting, or when double-sided moulds meet from top to bottom, as for example in multiple dowelling.



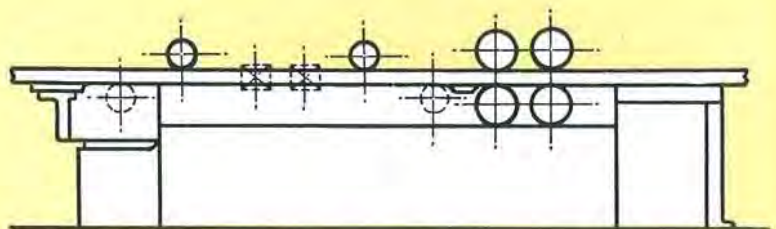
F.D.81. with 4 Heads



F.D.82. with 5 Heads



F.D.85. with 5 Heads



F.D.86. with 6 Heads

Specification

The Main Frame

The main frame is heavily constructed and is engineered to provide maximum stability for the feed works and cutterheads. All attachment faces are accurately machined. The base of the frame is also machined to facilitate an accurate foundation. Dust-tight compartments are built into the main frame to receive the electrical control gear.

Feed Works

Feed works are fully enclosed and ball bearing mounted throughout. Four feed rolls are driven by chain running in oil bath. Independent adjustment is provided to each bottom roll and provision is made for pitching the bottom rolls whilst the machine is running. The top feed rolls are mounted in a vertical vee slide, with rise and fall movement by spiral gear and handwheel operated from the front of the machine.

The feed is obtained from a $7\frac{1}{2}$ h.p., 1,500 r.p.m., totally-enclosed motor, driving through a two-step cone to a six-speed ball bearing gearbox giving:

18, 25, 32, 45, 55, 75
36, 50, 64, 90, 110, 150 } feet per minute.

The gearbox selection levers are accessible from the front of the machine.

The table before the first bottom head is mounted on an inclined slide and has an independent adjustment to the feed rolls.

A feature of the Wadkin feed works is that the top roll cover is quickly removed and top rolls easily detached for fitting bevel rollers.

Pneumatic Feed Works

A pneumatically-controlled feed works arrangement (Patent No. 986651) can be offered.

This arrangement provides pneumatic pressure to the top feed rolls and a control valve and pressure gauge is provided to enable instantaneous pressure adjustment to be made. A built-in relief valve ensures constant pressure on the feed rolls regardless of timber thickness variation. An additional valve enables full pressure to be applied to give traction increase. The height of the feed rolls is set to the nominal thickness of the timber by scale and pointer.

Instantaneous loss of traction is achieved by pneumatic lift of the top feed rolls, and suitable mushroom-type operated buttons for this feature are positioned at the infeed and outfeed end of the machine.

In addition pneumatic lift of feed rolls can be initiated automatically in the event of board over-riding or when one or more cutterhead motors are overloaded.

When a fast feed table is fitted a pneumatic clutch can be arranged to disengage simultaneously with the loss of traction.

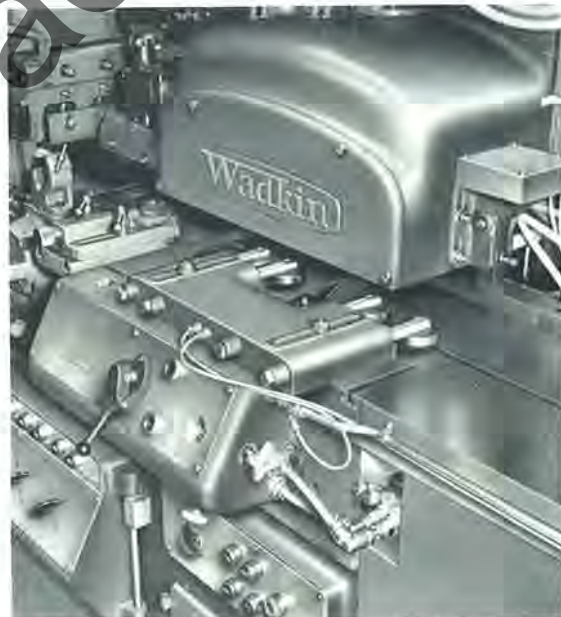
The Bed

The entire length of the bed from the feed works to the outfeed table is made of renewable chrome iron sections, heat treated and precision ground all over. The edges are dovetail in section, so that they can be securely clamped in position and readily adjusted lengthwise, to and from the bottom cutterblocks. Plates in front of the side heads move with the heads and thus provide a continuous bed without gaps from end to end of the machine. The outfeed table is mounted on a slide permitting easy and accurate setting of the table in relation to the cutterblock. The adjustment is by screw and handwheel. The whole of the outfeed table can be swung downwards for access to the cutterblock, this movement being counter-balanced by balance weight at the rear of the machine.

Cutter Spindle Design

All heads are completely self-contained motorised units. All head units are designed with three special high-speed duty ball bearings, and horizontal heads have in addition an outboard bearing also of the high-speed duty type.

The main bearings are mounted in one housing to ensure perfect alignment. They are oil lubricated and in the case of all outboard bearings, also side head bearings, a Wadkin patented method of oil vapour lubrication is employed, to ensure a long bearing life. Each outboard bearing is provided with a taper collet sleeve on which the bearing itself is mounted.



Patent pneumatic feed works give variable pressure and instant lift to the top feed works. Also illustrated is a special pressure which triggers the first feed roll to admit varying thicknesses of stock.

The outboard bearing unit is thus gripped round the cutter spindle end, yet it may be readily freed to enable the whole unit to slide off for changing the cutterblock.

All spindles are the same diameter and have $1\frac{13}{16}$ " diameter ends. Larger diameter horizontal spindles can be provided for exceptionally heavy duty. Cutterblocks are mounted on self-centring sleeves. The blocks are withdrawable and are interchangeable on all horizontal spindles. Side head cutter-head equipment can be run on the horizontal spindles when necessary.

The electrical components in the spindle unit consist of stator and low starting current rotor units, as illustrated on page 11. Rotor is mounted directly on the main spindle, and both rotor and stator are totally enclosed in an aluminium frame. The motor unit is mounted in the machine in a distortion-free manner by means of a sleeve embracing the cylindrical main spindle housing. The motor is cooled by means of a flow of cool air being continuously drawn by fan over the external casing of the motor. This system provides a most efficient cooling system and at the same time effectively prevents dust or dirt entering the motor windings. High quality materials, machined to close tolerances are used throughout in the construction of the motors.

When connected to a 50-cycle electric supply all head motors are arranged to run at two speeds of 6,000 and 4,500 r.p.m. On 60-cycle supply, speeds are 4,800 and 6,000 r.p.m.

Horizontal Heads

The spindle unit is mounted on a double vertical slide located and locked on each side of the cutterblock by means of a single locking lever operated from the front of the machine. The rise and fall of the spindle units is by two vertical screws, operated by spiral gears in enclosed gearboxes from the front of the machine. A horizontal or lateral adjustment of the spindle units of $\frac{1}{8}$ " is provided to facilitate set-ups, this movement being obtained by ratchet and pinion.

Top Head Radial Chipbreakers

Top head chipbreakers are carried from the spindle unit. The chipbreaker housing is fitted with four pressure shoes, each with independent spring pressure. Shoes have renewable toe pieces fitted with renewable Stellite tips to withstand hard wear. The whole of the chipbreaker unit is spring-tensioned which can be varied to suit the class of work by turning a small handwheel. The chipbreaker unit is quickly swung away to give access to the block.

Vertical Side Heads

The vertical spindle units are clamped in a circular

housing, forming a slide for the lateral adjustment of the heads. Fitted on the slide are adjustable bed plates which give a continuous bed support without gaps at every position of the heads. Cross adjustments which are by screw motion are made from the front of the machine and each slide is fitted with a powerful clamp plate lock. Vertical adjustment to the heads is provided by ratchet and pinion.

Radial Arm Chipbreaker

Radial arm chipbreaker is carried from the near side spindle slide. Chipbreaker arm is fitted with renewable pressure shoe having Stellite steel toe piece. It has also a roller to facilitate feeding of oversize width boards. Spring pressure for the whole unit is quickly adjusted from the front of the machine by handwheel and screw. The whole chipbreaker swings away for access to the cutterblock.

Pressures

Roller pressure units are fitted over the first bottom head. Each unit has independent spring-loaded adjustment to the rollers. Pad pressures after first top head are individually spring loaded and spring pressure is adjustable by handwheel to suit the class of work. Pressure shoes are fitted with loose steel adjustable plates to which can be attached wood pressure pads to suit varying classes of work. Side pressures throughout the machine are of the roller type independently spring-loaded. Pressures after near side head and second top head are of the fixed pad type.

Special Pressures for Short Stock

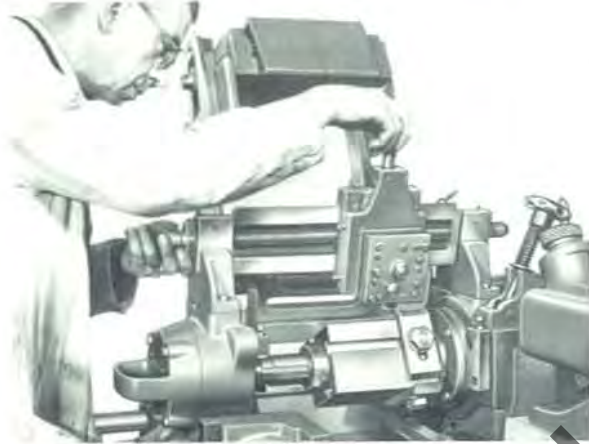
When the machine is to be used continuously on short stock to a minimum of 12" long an additional set of pressures can be supplied. These greatly assist the guiding and holding of short stock through the machine and ensure a more uniform standard of accuracy and finish.

These pressures are supplied only to special order and comprise:—

- (a) Multiple pressures before first bottom block, comprising one bracket holding four pressure rollers, two before first feed rollers and two between feed rollers; a further side pressure bracket with three pressure rollers is located between second feed rollers and first bottom block.
- (b) Flexible roller pressure over first bottom block comprising three independently acting roller pressures above stock for minimum section $1\frac{1}{4}$ " wide \times $\frac{1}{2}$ " thick.
- (c) Multiple side pressure before fence side head comprising three independently acting pressure rollers.



Straight jointing on side head.



Profile jointing on last top head.

Hopper Feed for Short Stock

A hopper feed unit can be built into the feed table in front of the standard feed rolls for automatically feeding short stock into the machine. This is driven by a chain from the main feed works to ensure synchronisation. All machines are sent out prepared for the addition of this hopper feed at a later date.

Automatic Feed Table.

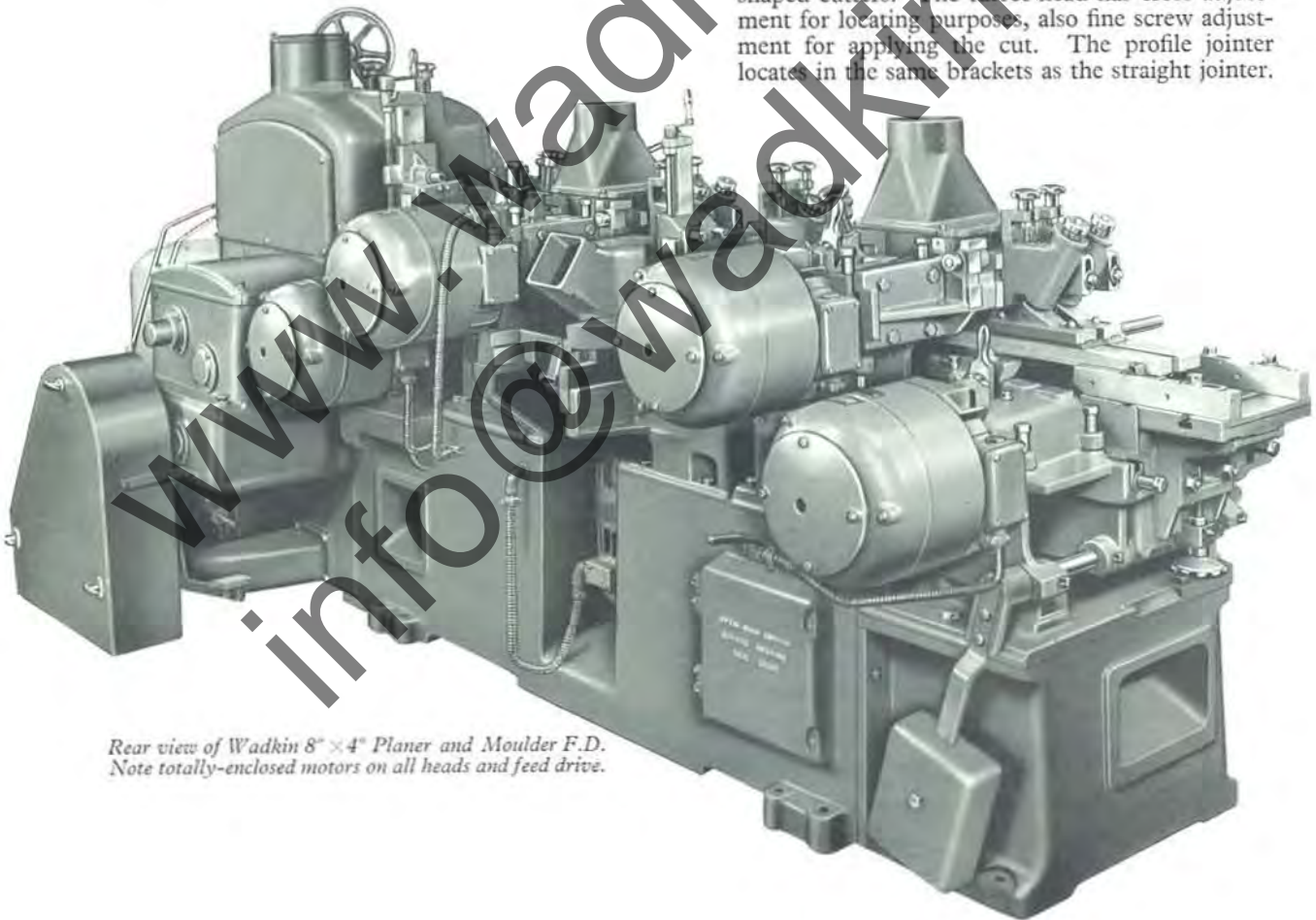
Feed table can be supplied for timber up to 24' 0" in length and can be arranged to be driven from the main feed works drive.

Jointing

Provision is made on spindle carriages to receive jointing attachments. These may be fitted at any time. Straight or profile jointers can be supplied for all heads.

For straight jointing the jointing stone is carried in a stone-holder slide and has a cross adjustment by screw motion to cover the full width of the cutter-block. The stone has a micrometer screw adjustment for applying the cut. The whole unit drops easily into two vee brackets for accurate location and is just as quickly removed.

The profile jointer carries a turret type stone holder, which enables a series of shaped stones to be fitted for consecutive applications to a profile head or shaped cutters. The turret head has cross adjustment for locating purposes, also fine screw adjustment for applying the cut. The profile jointer locates in the same brackets as the straight jointer.



*Rear view of Wadkin 8' x 4' Planer and Moulder F.D.
Note totally-enclosed motors on all heads and feed drive.*

Electrical Equipment

The machine is supplied completely equipped electrically with motors, frequency changer and control gear. All electrical gear is made by leading British manufacturers with extensive service facilities throughout the world.

The head motors consist of stator and rotor units housed in totally-enclosed frames which are externally fan-cooled and run at speeds of 4,500 and 6,000 r.p.m. on 50-cycle supply which are provided by a frequency changer driven by two-speed motor built into the machine. When supplied for operation on 60-cycle supply, speeds of 4,800 and 6,000 r.p.m. are provided. The frequency changer has an output of 20/15 kw and is arranged to give frequency at the heads of 100 and 75 cycles from 50 cycles, or 100 and 80 cycles from 60 cycle primary supplies. It also provides the low voltage for the braking system on the machine.

Control Gear

The control gear is designed to give the utmost facility to the operator when running the machine and setting up. Each headstock is individually controlled from a rotary selector switch having run and brake positions used in conjunction with a separate start push button and magnetic contactor.

The feed motor is controlled in a similar manner with the exception that a rotary switch selects the direction of the feed and also permits the normal start button to be used as an inch button. The start and stop and inch buttons are fixed in convenient positions at the infeed and outfeed ends of the machine. Prominent master stop buttons are provided at each end of the machine.

Individual overload protection is provided for all motors and frequency changer. In the event of any item being overloaded the entire machine will shut down.

Cabling

Special care is given to the cabling of the machines which is done in accordance with the best British machine tool practice. It is fully protected from mechanical damage. On final assembly the machine is flash tested at 2,500 volts to ensure that the insulation and electrical spacings throughout the machine are adequate. Every machine is run on the electric supply for which it is ordered before it is despatched.

Exhaust Hoods

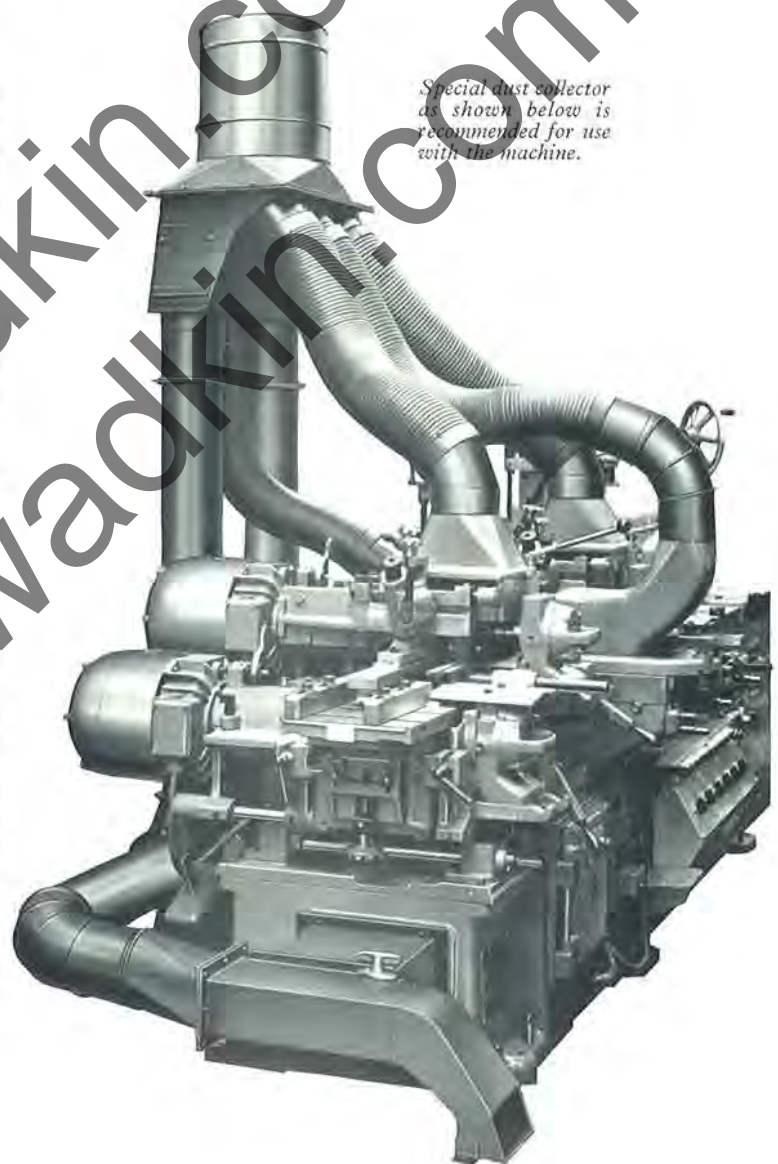
Aluminium exhaust hoods are supplied with the machine. The exhaust for the bottom heads is obtained by chutes cast in the main frame.

Guards

All heads are efficiently guarded. When jointers are supplied, special guards for the first and last bottom heads are necessary and can be supplied to order.

Exhaust Collector Unit

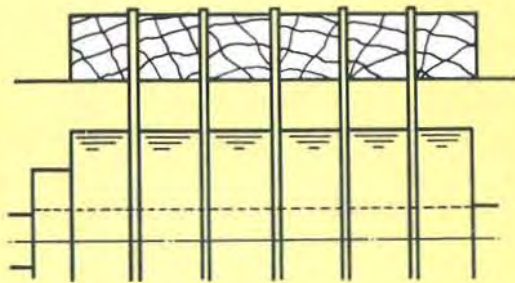
A special collector has been designed for this machine, which is a big advance on the usual practice of coupling each head independently into the main. This unit comprises two sheet steel hollow circular columns supporting a waypiece into which are fitted overhead flexible connections to the top and side heads, and rigid connections to the bottom heads. The flexible pipes are telescopic to facilitate the removal of the exhaust hoods.



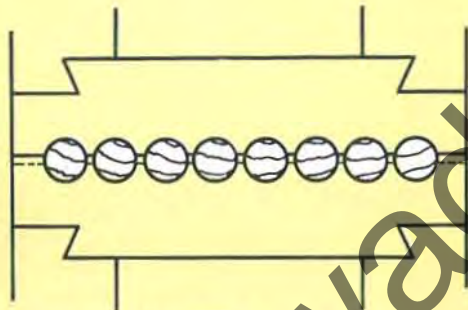
Special dust collector as shown below is recommended for use with the machine.



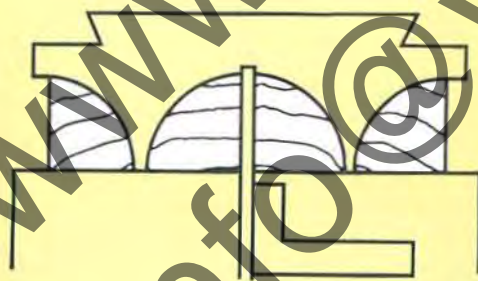
The Wadkin Moulder is adaptable to a wide range of work and methods of working



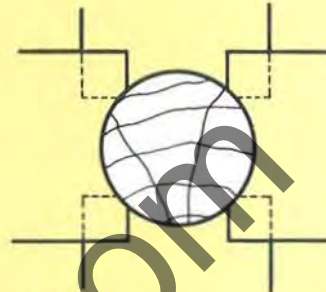
MULTIPLE SLITTING with saw unit on last bottom head.



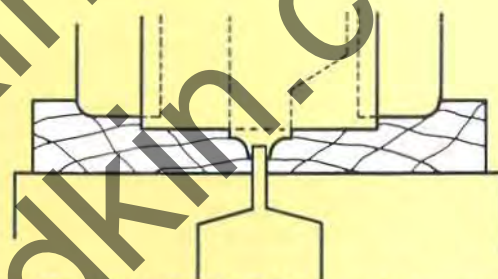
MULTIPLE DOWELS, with vice grip cutters and heads on last top and last bottom heads.



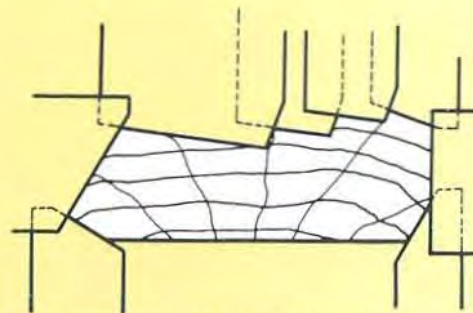
MULTIPLE QUADRANTS, with vice grip head and cutters on top head, cockscomb cutters and chipper on last bottom head.



LARGE SINGLE ROUNDS, with flat knives or vice grip cutters on fence side, near side, second top and last bottom heads.



MULTIPLE MOULDING worked with flat knives and split with humped back groovers on last bottom head.

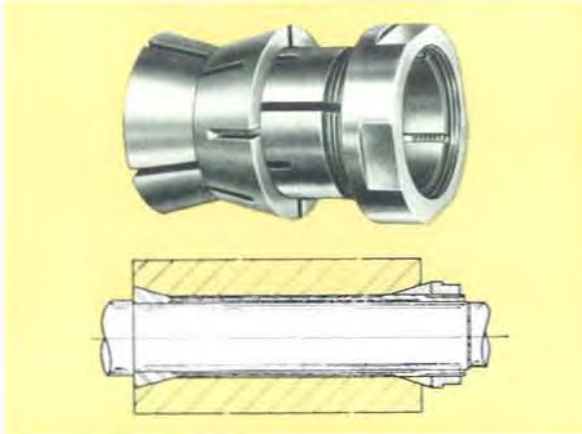


SILLS worked with flat knives on square blocks.

CUTTER EQUIPMENT. The full range of cutter equipment available for the Wadkin range of moulders is described in SECTION E of the Wadkin Tools and Accessories Catalogue.



Typical Cutter Equipment Available



All cutterblocks are secured to spindles by sleeves as shown here.



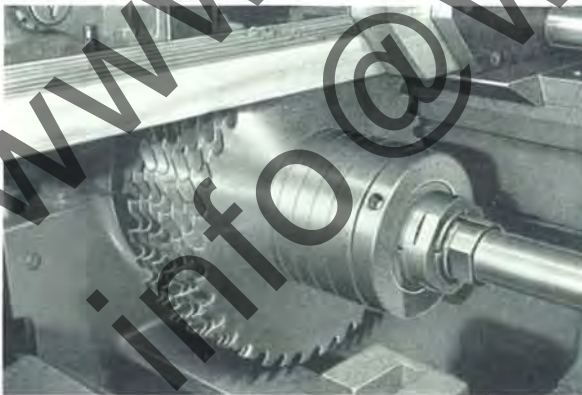
Vice grip cutterheads, available in two types, designed to take loose milled to pattern cutters.



Four or six-knife circular blocks 6 $\frac{1}{2}$ " diameter, also 4" square blocks for sizes from 2 $\frac{3}{4}$ " long to 12 $\frac{1}{2}$ " long. See also illustrations on pages 4 and 7.



Matcher heads to cut tongues and grooves between $\frac{3}{16}$ " and $\frac{7}{16}$ " wide.



Slitting saw units carrying up to eight saws 10 $\frac{1}{2}$ " diameter, complete with sleeve, spacing and making up collars.



All cutter equipment used on the Wadkin Moulder can be reground on the Wadkin Universal Grinder N.H. (For full details refer to Leaflet No. 679.)



SATISFIED USERS...

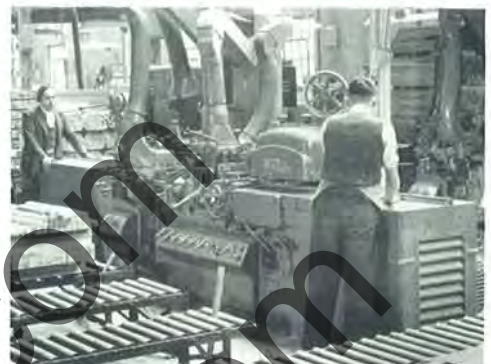
the final proof of performance



*Allied Iron Founders Ltd.,
Long Eaton, Nottingham.*



*The En-Tout-Cas Company Limited,
Syston, Leicestershire.*



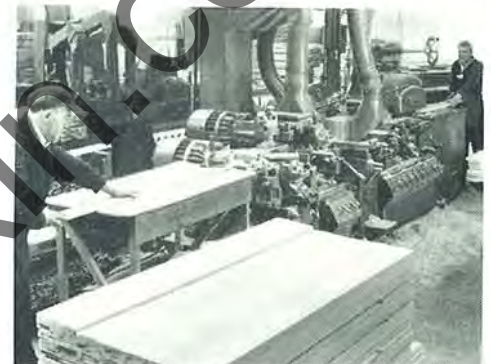
*Beautility Furniture Ltd., Edmonton, London
(Seven Wadkin Moulders installed.)*



*Gordon Russell Ltd.,
Broadway, Worcestershire.*



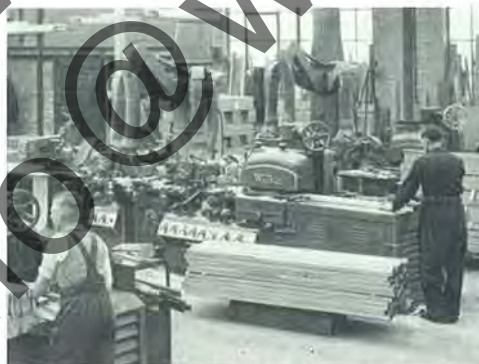
*Vic Hallam Ltd., Langley Mill, Notts.
(Nine Wadkin Moulders installed.)*



*Yatton Furniture Ltd., Yatton, Somerset
(Four Wadkin Moulders installed.)*



*Hide & Company (Blackpool) Ltd.,
Lytham St. Annes.*



*F. Austin (Leyton) Ltd., Leyton, London
(Six Wadkin Moulders installed.)*



*Kingston (Architectural Craftsmen) Ltd., Hull
(Seven Wadkin Moulders installed.)*

Telephone: Leicester 68151 (7 lines)
Telegrams: } Woodworker, Leicester, Telex.
Cables: }
Telex: 34646 (Wadkin, Leicester)

Wadkin Ltd.
Green Lane Works, Leicester, LE5 4PF

and at
York House, Empire Way, Wembley, Middx.
Telephone: 01-902 7714 (3 lines)
Telex: 262210

