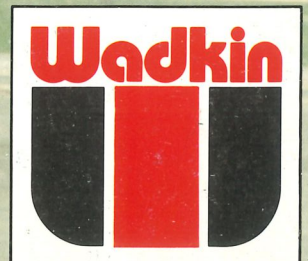
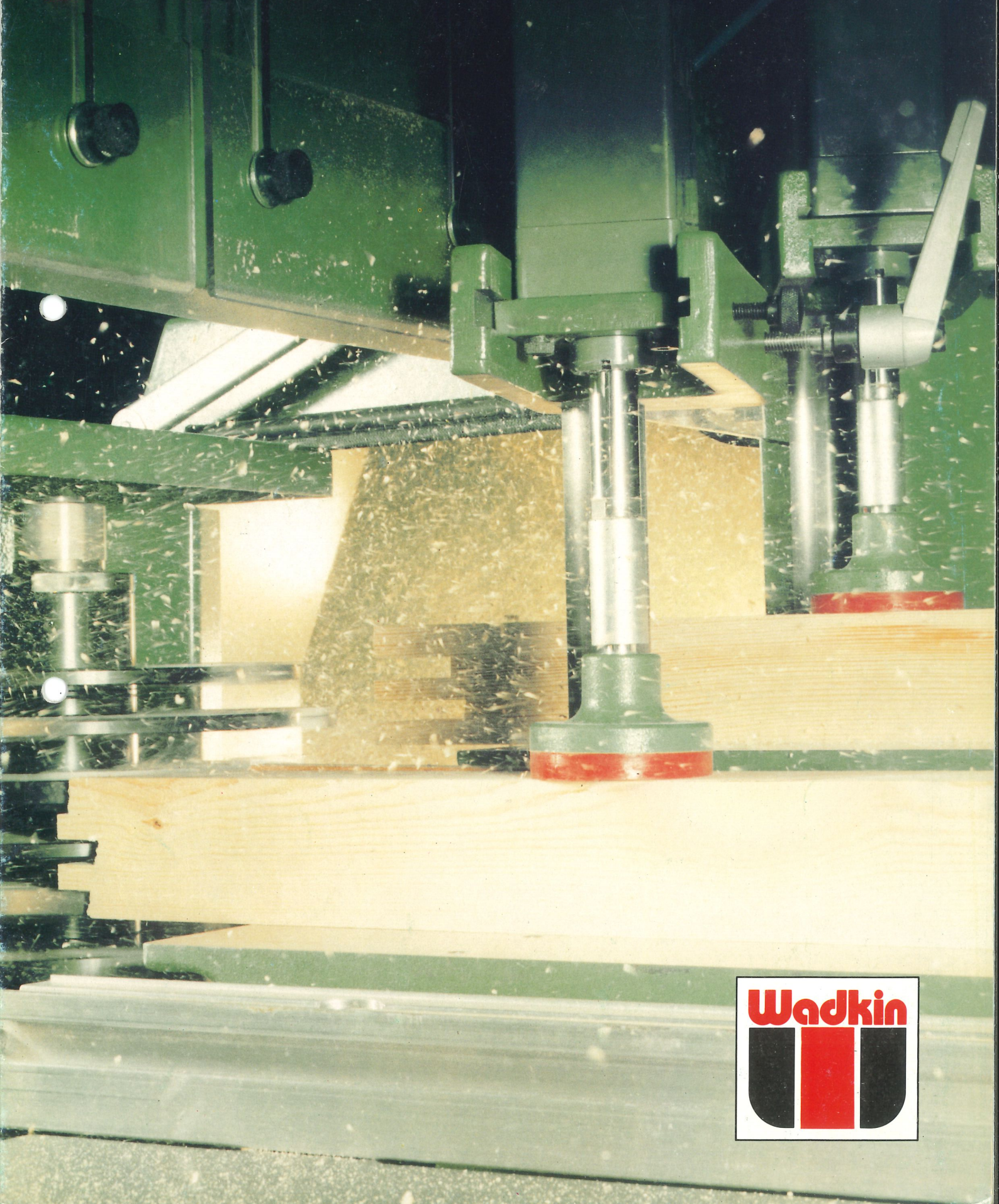


JET TENONING & END JOINTING MACHINE



JET

... 3 times faster than single

revolutionary end jointing
and tenoning system

- forms mating joints simultaneously
- is suitable for PAR or moulded stock
- high speed, low cost, one-off and batch production

The JET End Jointing System is a unique multi table level machine that is ideal for any type of end jointing. Capable of cutting even the heaviest tenons the JET offers a highly cost-effective alternative to the traditional single end tenoners. Windows, doors, finger jointing, stair strings are all possible with this patented table and motor configuration suitable for both high and low volume production.

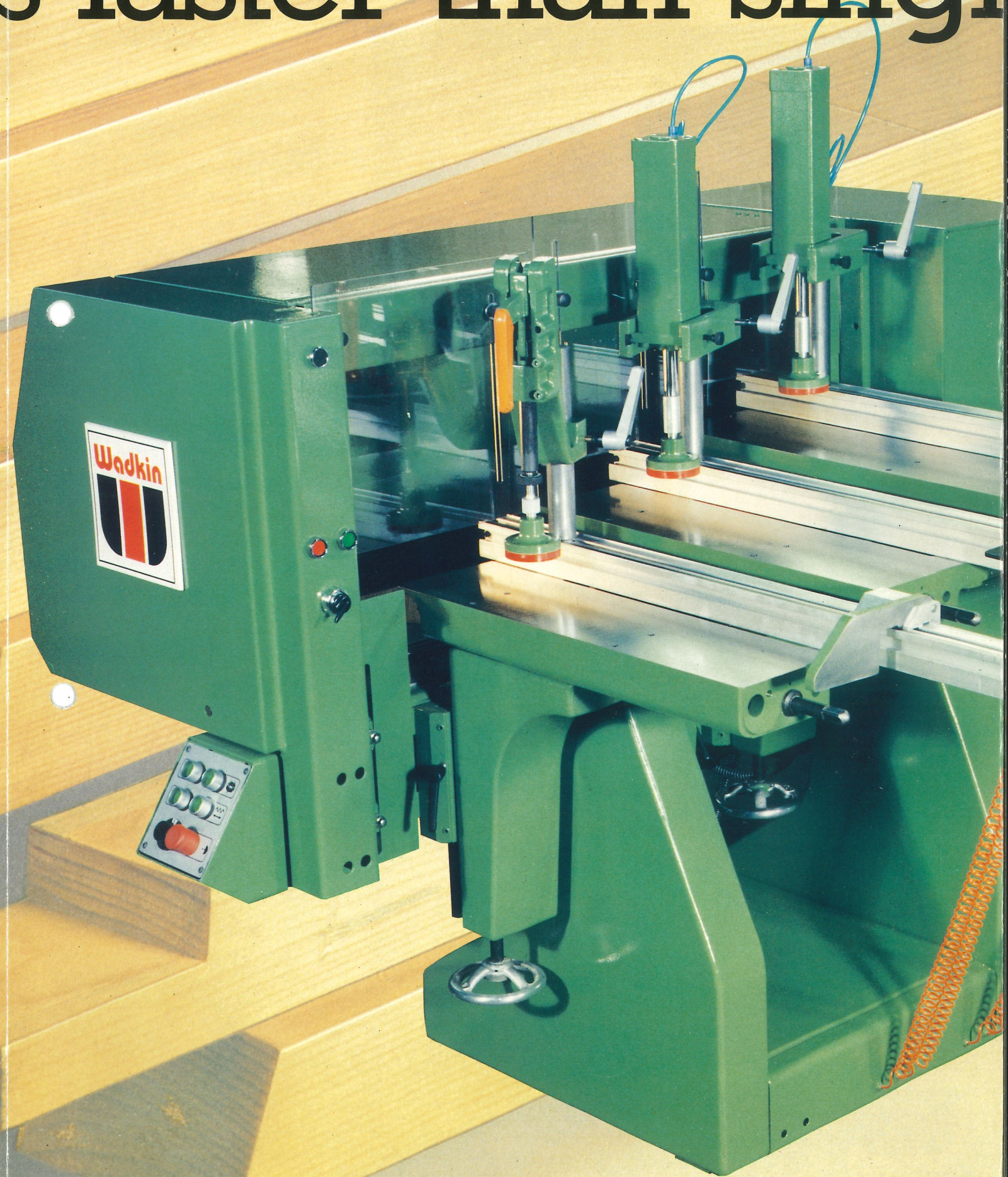
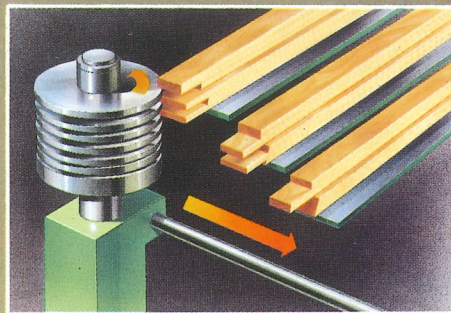
Fully adjustable table heights

The concept of the JET is simplicity itself. There are a series of tables — up to three, that are fully adjustable, offering a combination of either 1, 2 or 3 levels enabling mating joints to be produced in one pass.

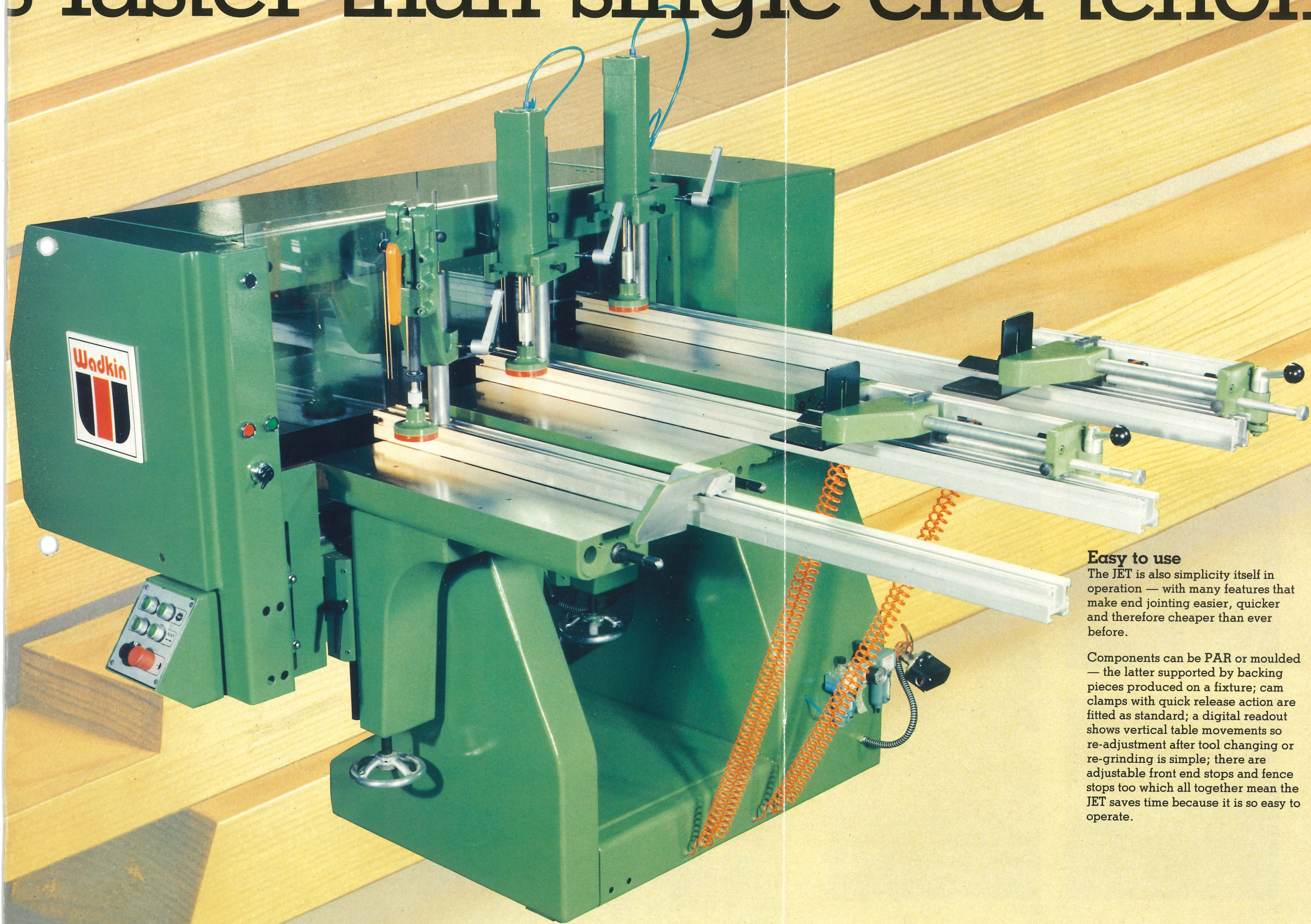
The result is a highly versatile end jointing system that can:

- machine 3 separate pairs of components in one pass
- machine all joints of a window frame or sash in two passes
- produce its own backing pieces (option) for moulded stock
- angle tenon stair strings using one of the range of options
- produce long and short components in one pass with the separate fences to all table levels

And all in total cycle times that mean real savings in both large and small production units.



s faster than single end tenoners



Simple Tooling

The patented table and motor configuration of the JET also means you save on tooling costs. Simple or staggered shoulder tenon joints can be cut using one disc. The independently adjustable tables obviate the need for accurate cutter setting.

Safety first

The JET is both easy to use and safe. All controls, conveniently placed away from the cutter block, fall easily to hand. There's an automatic brake motor that stops the cutters in seconds and highly efficient extraction that provide a clean working environment.

Easy to use

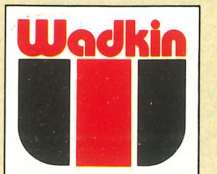
The JET is also simplicity itself in operation — with many features that make end jointing easier, quicker and therefore cheaper than ever before.

Components can be PAR or moulded — the latter supported by backing pieces produced on a fixture; cam clamps with quick release action are fitted as standard; a digital readout shows vertical table movements so re-adjustment after tool changing or re-grinding is simple; there are adjustable front end stops and fence stops too which all together mean the JET saves time because it is so easy to operate.

More than a machine

When you buy the JET End Jointing System from Wadkin you'll be getting much more than a machine. There's the comfort in knowing that you're dealing with one of the longest established woodworking machinery manufacturers in the UK. Your investment will be secure — supported by a team of dedicated experts and service engineers. And a nationwide network of carefully selected Agents.

The JET End Jointing System — it's just one in a wide range of woodworking machines from Wadkin.



JET

STANDARD & OPTIONAL FEATURES

2 & 3 table models

STANDARD

- Quick release manual clamp, capable of holding multiple components at once, on each table — Fig 1
- Turnover end stop to each table
- Retractable front end stop to each table
- 1500mm (5 ft) long graduated fence to each table — Fig 2
- 230mm useable length of sleeve allowing 3 sets of tools on the same spindle — Fig 3
- Digital readout showing the rise and fall of table movements. Readings can therefore be noted to save time on setting after re-grinding or changing tools — Fig 4
- Auto Brake to Cutter Motor

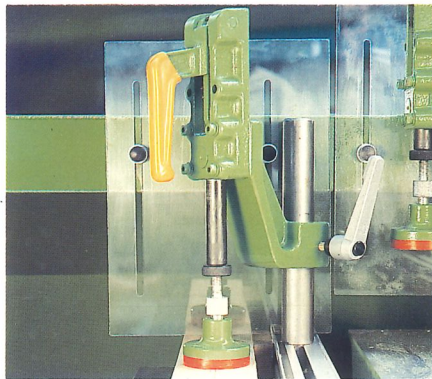


Fig 1

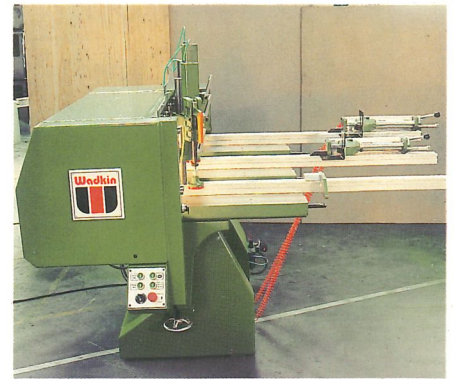


Fig 2

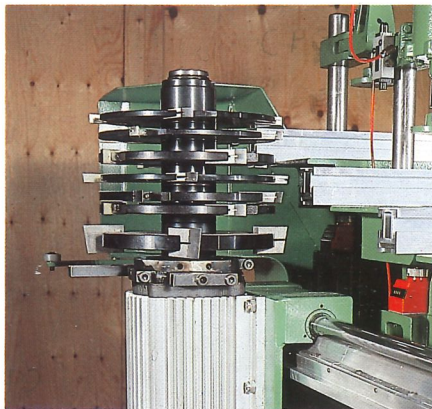


Fig 3



Fig 4

OPTIONAL

- Pneumatic clamp capable of holding multiple components at once on each table — Fig 5
- Two position manual shoulder stop
- Two position pneumatic shoulder stops — Fig 6
- Mitre fence — for angled tenons — Fig 7
- Digital readout showing the horizontal movement of each table — Fig 8
- 2200mm (7'6") long fence in lieu of standard
- 3200mm (10'6") long fence in lieu of standard
- Fixture to manufacture shaped backing pieces.

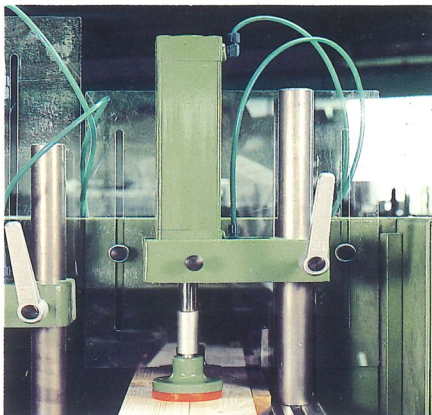


Fig 5

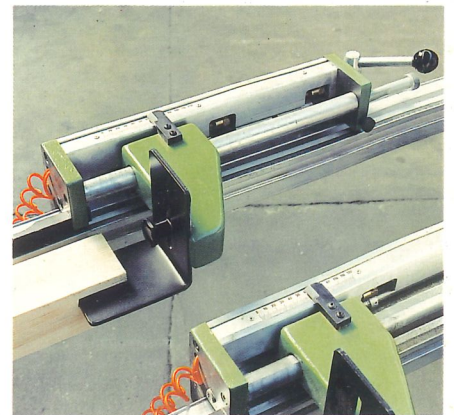


Fig 6



Fig 7

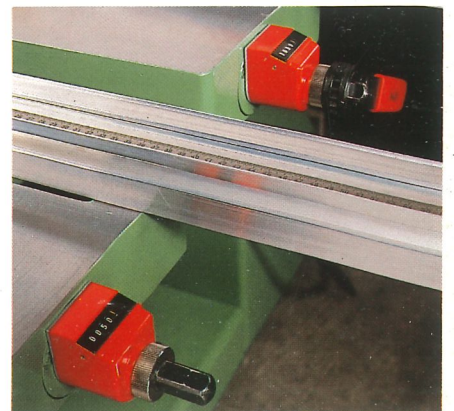


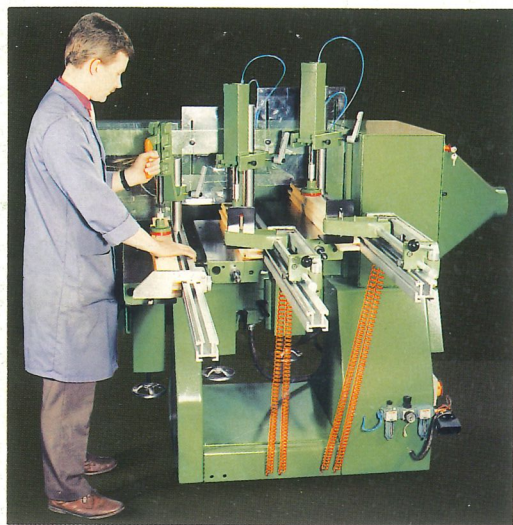
Fig 8

TOOLING AVAILABLE
UPON REQUEST — see tooling leaflet.

JET

TENONING & END JOINTING SYSTEM

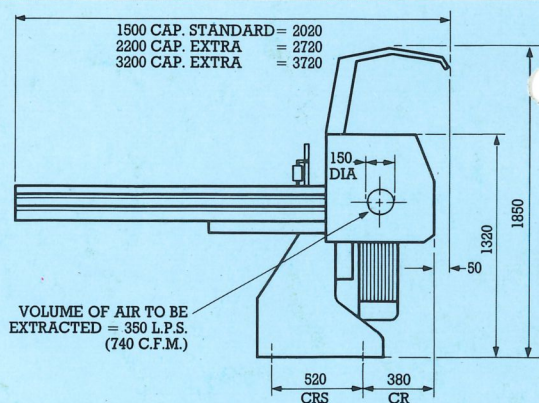
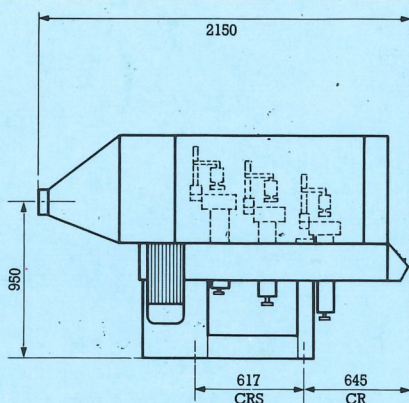
SOLO SYSTEM



SPECIFICATION

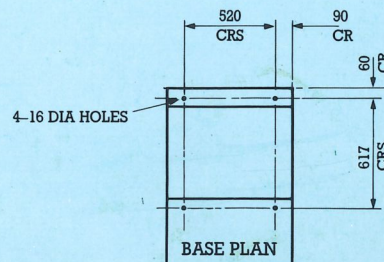
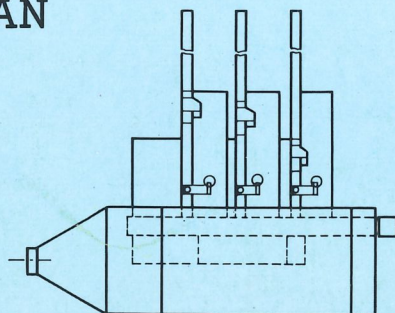
Cutter spindle diameter	50mm
Cutter sleeve diameter	60mm
Usable length of sleeve	240mm (9½in)
Maximum tooling diameter	Note: 320mm diameter tooling available with throwaway tipped cutters only. 322mm (13in)
Minimum tooling diameter	250mm (10")
Maximum timber thickness	150mm (6")
Maximum timber width (rear tables)	150mm (6")
Maximum timber width (front table)	280mm (11")
Maximum timber width (multiple tables)	450mm (18")
Maximum length of tenon	120mm (4¾")
Vertical movement of tables	230mm (9")
Horizontal movement of tables	25mm (1")
Power of cutter motor	7.5 kW (10hp)
Speed of cutterhead 50Hz	3000 r.p.m.
Speed of cutterhead 60Hz	3600 r.p.m.
Feed Speed (cutting stroke) 50 & 60 Hz	4m/min (13 ft/min)
Feed Speed (return stroke) 50 & 60 Hz	8m/min (26 ft/min)
Length of fence bars — standard	1500mm (5 ft)
Dust Extraction Outlet Diameter	150mm (6")
Extraction volume requirement 350 lps at 100mm Water Gauge (740 cfm at 4" Water Gauge)	

As our policy is to constantly improve design the details given in the leaflet are not to be regarded as binding



VOLUME OF AIR TO BE EXTRACTED = 350 L.P.S. (740 C.F.M.)

JET FOUNDATION PLAN



Wadkin Durham, Fence Houses Houghton-le-Spring Tyne & Wear England DH4 5RQ
 Telephone: (091) 3852385 Telex: 53441 (Burdrm G) Fax: (091) 3853311
 A member of Wadkin plc Member of the Thomas Robinson Group plc