



Shredder Series  
WL 6 - WL 6 S

clever shredding + briquetting

The perfect shredder – for flexibility and high performance: **WL 6 - WL 6 S**



The reliable shredder for larger volumes of timber waste



Shredders of the WL 6 - WL 6 S series are used for shredding large quantities of timber waste. The machines are fitted with 800 mm width, high strength rotors. Models 6 S and higher with 22 kW output are also fitted with a hydrodynamic starter clutch in addition to the automatic star-delta circuit to ensure soft rotor start even when the hopper is completely full.

Basic models of the WL 6 - WL 6 S series



WL 6 S with spiral conveyor



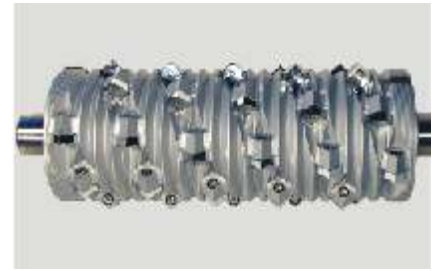
WL 6 S with conveyor belt



The screen size perforation determines the chips size

## WL 6 - WL 6 S series technology

Material is fed through the hopper to a hydraulic ram which is operated according to load and presses the material against the rotating rotor. The inserted material is shredded between the rotating knives and counter knives which are fixed in place. The ram is fitted with scraper rails which prevent any unwanted material being pulled between the ram and machine housing. The material can be transported out by spiral conveyor, an extraction system, a conveyor belt or a chain conveyor.



WL 6 series shredder with a connected extraction system



WL 6 S series shredder, material loading by fork-lift truck with tripper

### Patented V-rotor

- Optimum material intake
- Minimum cutting knife wear
- Low power consumption yet high output
- Narrow cutting gap between rotor and counter knife
- Defined knife projection



### Enclosed hydraulic system

The ram's hydraulic system is located inside the machine body to protect it against wood dust and damage. The hydraulic cylinder is suspended by cardanic joints so that any unwanted lateral force on the piston cup is avoided.



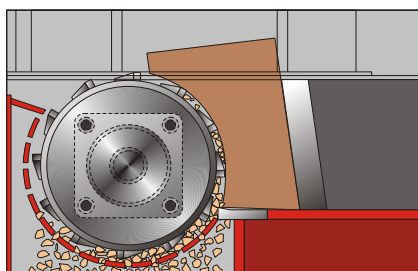
### Power drive

The machines are driven by an electric motor with up to 37 kW drive output which is transmitted to the rotor by hydro-clutch (from 22 kW), v-belts and gears.

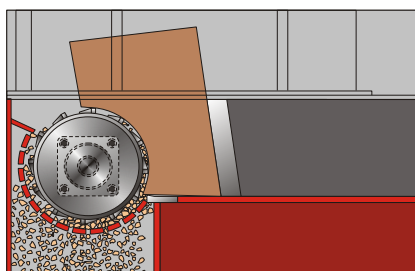
The profiled V-rotor is machined in one piece and mounted in sturdy rotor bearings. Special knife holders are welded into milled knife pockets around its circumference. The cutting knives are inserted into these and screwed in place from behind. As a result, high-speed knife changing is possible because the design prevents the screw heads from being damaged during shredding. The concave cutting knives can be turned four times and guarantee a precision cut at high throughput rates.



V-rotor with two knife rows



Rotor diameter with 368 mm for big blocks and pieces with larger screen surface for an extra high output. (WL 6 S)



Rotor diameter with 252 mm with high throughput capacity. (WL 6)

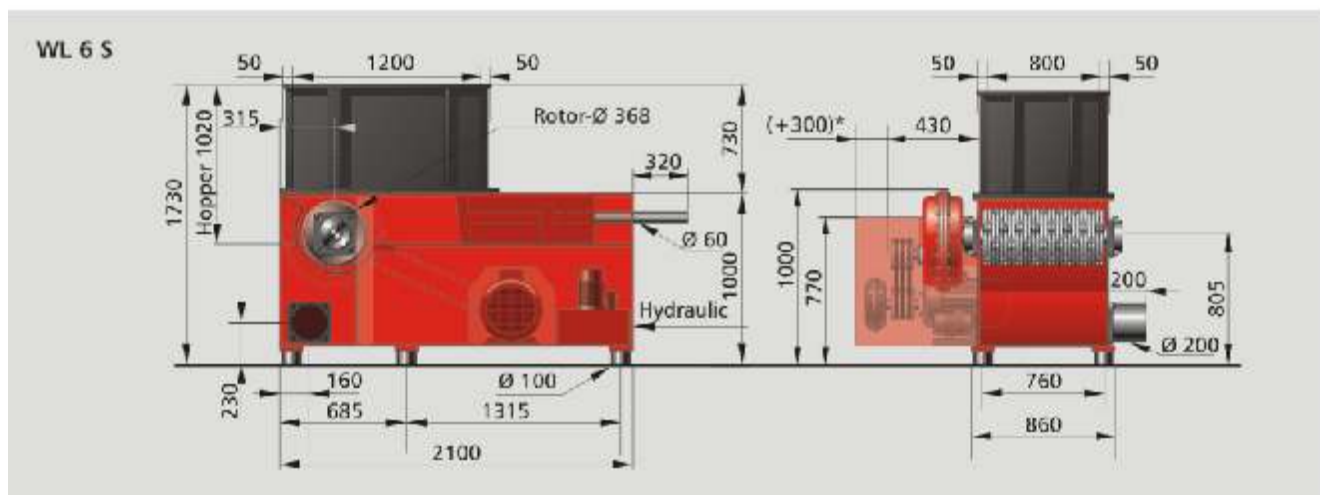
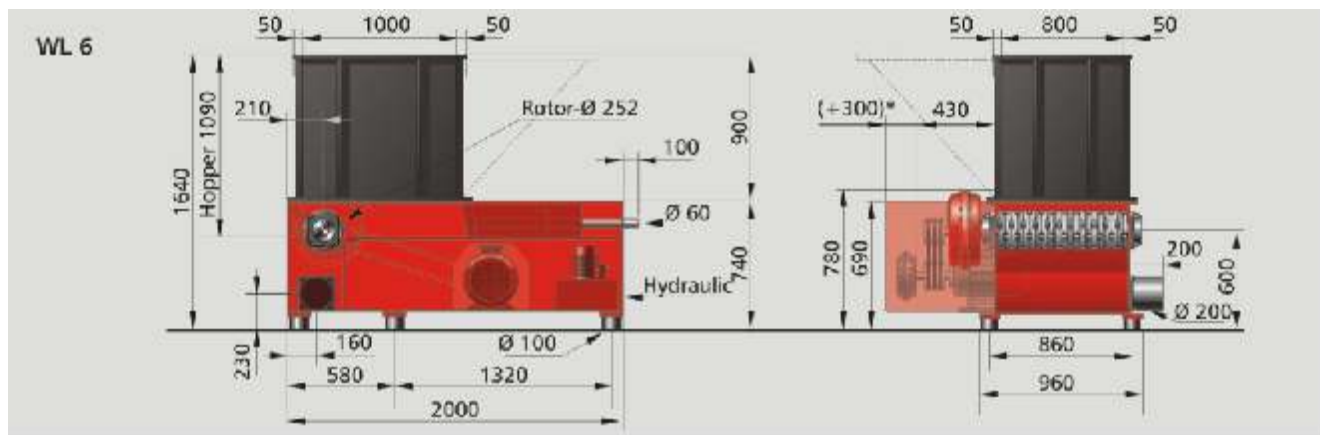


### Concave reversible knives:

Made of HSS, HH and annealed steel, universally applicable and extremely resilient for the most varied applications.

**clever shredding + briquetting**





Technical Data		WL 6	WL 6 S
Hopper opening	(mm):	800 x 1.000	800 x 1.200
Hopper volume	(m <sup>3</sup> ):	0,9	1,0
Throughput	:	depending on material and screen size	
Rotor diameter	(mm):	252	368
Rotor length	(mm):	800	800
Rotor speed	(rpm):	60 - 100	60 - 100
Power	(kW):	18,5/22*	22*/30/37
Tools	(pieces):	21	23 / 42
Screen size	(mm):	10 - 40	10 - 40
Connection-Ø	(mm):	160	200
Air speed	(m/sec.):	28	28
Weight	approx. (kg):	1.500	2.000

\* > 22 kW with hydrocentrifugal clutch

PLC control for fullyautomatic controlled operation (optional extra), special designs on request.

Demonstrations and tests with your materials are possible in our technical laboratory by prior agreement.

#### WEIMA Maschinenbau GmbH

Bustadt 6-10

74360 Ilsfeld (Germany)

Phone: +49-(0)70 62-95 70-0

Fax: +49-(0)70 62-95 70-92

info@weima.com

www.weima.com

#### Sales Offices in:

Austria, Ternberg

United Kingdom, Kent

France, La Ferté s/s Jouarre

Poland, Warsaw

USA, Fort Mill, SC



Staubgeprüft