

UV-X THE FUTURE OF UV DRYING

The innovation in this oven is the use of special UV lamps, with absolutely innovative features compared to those utilized up to now: they finally generate real cold drying, a necessary requisite for coating some types of wood, plastic or other products. The demand to be able to carry out cold coat hardening goes back some time, but only Cefla Finishing has finally found a solution.

Lamps are pulsating with periods expressed in milliseconds: this way, they keep infrared emissions under control, limiting their heat production, and are fed by electronic units, rather than the usual transformers.

It is worth underlining that pulsating lamps are the fundamental innovation, and their energy absorption is equal to less than half of the current lamps (therefore achieving significant energy savings); in addition, electronic feeders also give the opportunity to have zero power absorption when panels are not passing, with further energy saving, since this technology, unlike traditional lamps, immediately reactivates the lamps.



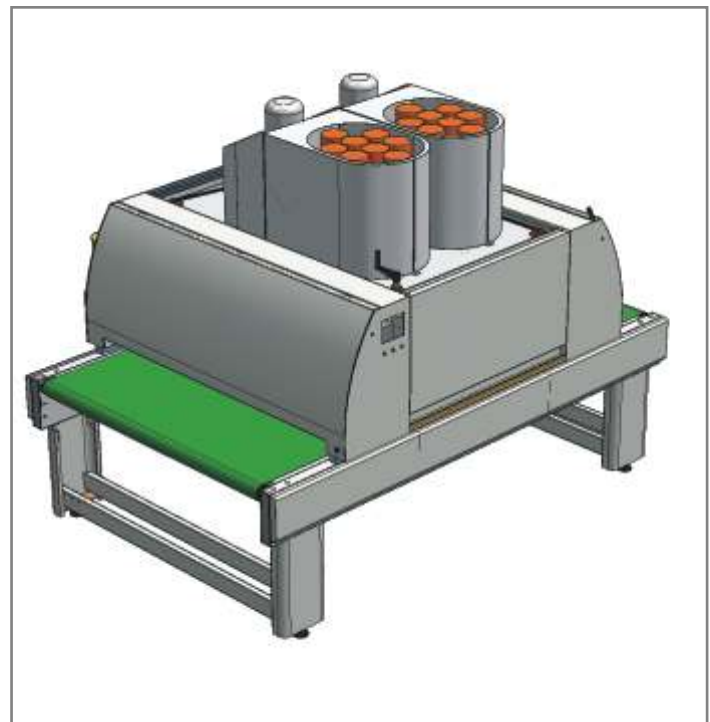
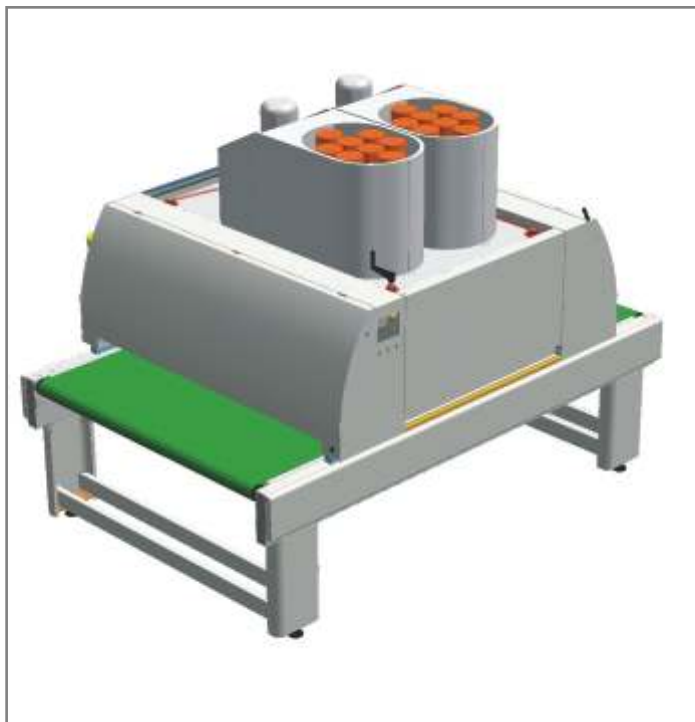
UV-X THE FUTURE OF UV DRYING

UV-X HK:

- **Energy saving**
considering energy production from methane, a reduction in the CO₂ emission is achieved of more than 10 tons/year per each lamp.
- **Low temperature drying**
The workpiece temperature increase is 3 to 5 times lower when compared with that produced by a conventional mercury lamp.
- **No mercury**
The lamp contains only Xenon and therefore does not require particular methods of disposal and as a consequence lower costs are incurred.

TECHNICAL DATA UV-X SINGLE LAMP OVEN:

- 3 lamp units l=500 mm
- Installed electric power 8.2 KW.
- Solvent mixed air exhausted outside 1500 cu m/h.
- Air to replenish in the environment 1500 cu m/h.



Pursuing the constant improvement of its production range, the manufacturer reserves the right of modifying its products without notice. Additionally, the information, the technical specifications, the drawings and the pictures shown in this brochure serve just as an indication and are not binding for the manufacturer who expressly reserves the right of changing this brochure without notice.