

Power and Speed – Engineering in Detail

ZENTREX 6220



PRODUCTIVITY AND PRECISION





Perfecting of wood and plastic processing is our passion

Our engineers are among the best in the world. Their visionary imagination and exceptional skill guarantee that our machines are the most powerful, most flexible and safest in the world today. Customers appreciate our ability to develop and produce excellent, high-quality products quickly and at competitive prices. Integrative, networked solutions are crucial for machining wood and panels worldwide.

This is why HOLZ-HER offers a line of products matched to one another and always develops a complete product series, from an entry-level

machine right up through all performance ranges to the comprehensive top model. All service activities and product training courses are planned in parallel to new products. This ensures that, in addition to being offered a new machine, customers can also take advantage of a complete range of services. A range focusing on practical solutions and greater customer benefit.

What you can expect from us

- We want to understand our customers and partners as well as we possibly can and we want to optimize and increase their success by providing them with innovative products and services.
- Close contact with our dealers as well as final customers, cabinet makers, interior architects and industrial workshops is one of HOLZ-HER's particular strengths.
- Providing above average performance in all areas, thinking into the future, continuity and consistency in development and design, perfection in production and intensive consulting in sales and service are HOLZ-HER's focal points.
- Recognizing and anticipating trends are key qualifications for strong companies like HOLZ-HER. This requires the qualifications of each and every employee to be kept up to date. For this reason, HOLZ-HER places a great deal of emphasis on professional training for young employees.



The WEINIG Group – machines and equipment for processing solid wood and derived timber products

Innovative top-of-the-line equipment, comprehensive services and system solutions right up to entire ready-to-use production plants: The WEINIG Group is your partner for profitable processing of solid wood and derived timber products. WEINIG quality and efficiency provide you with a decisive advantage in competition, whether in the field of crafts or industry.



QUALITY

Solutions developed by professionals for professionals

Wherever professionals work precisely and efficiently with panel materials around the globe, machines from HOLZ-HER are present, offering reliable performance day after day. In order to succeed in this highly competitive market, it is necessary to always remain one step ahead of the competition. For HOLZ-HER employees it is only a matter of course to take responsibility for major, complex work sequences and pay attention to achieving 100 % quality, right down to the smallest detail. Our staff always thinks and acts as a partner for our customers.

Production is the heart of any industrial enterprise. Our state-of-the-art production techniques at the HOLZ-HER production facilities in Voitsberg in the Austrian State of Steiermark are decisive for high quality, flexibility and economic production costs. Keeping core competencies for production in the company is one of HOLZ-HER's top priorities. This includes, for example, our own steel construction facilities with all technical equipment – which helps us to maintain short delivery times – or our own prototype construction shop. Intensive testing right from the start ensures that the state-of-the-art solutions remain in line with HOLZ-HER's stringent quality requirements at all times. And finally, a well thought out service concept for after-sales guarantees that our customers can depend on HOLZ-HER machines right from the start as well as over their long service life.

Video
Image





Single-company quality – from steel plate to finished machine

- Up to 2200 tons of steel and aluminum are used in HOLZ-HER's own frame construction plant. A laser cutting unit with fully automatic feeding optimizes the cutting of steel plates with thicknesses of up to 25 mm. This is why HOLZ-HER always can use the ideal material thickness for all resistance relevant mechanical components.
- With a nominal pressing force of 400 tons, multiple hydraulic trimming presses ensure perfect component shape with automatic material thickness measurement and pressure control.
- The individual parts are welded together very carefully. Optimally designed welding equipment ensures consistent high quality on your machine.
- The completely welded frames are milled with a high level of precision on a number of long-bed cutting machines. This ensures that all surfaces are optimally prepared for later attachment of guides and equipment.
- After cleaning and painting, the frames are moved to final assembly, where all units and components are installed.
- Before packing and shipping, comprehensive final inspection is performed to guarantee highest quality standards for your machine.

ZENTREX 6220 classic and ZENTREX 6220 – the high performance panel saws

The ZENTREX 6220 combines high precision equipment, such as hardened and ground linear guides and heavy duty design with dynamic, high speed servo-drive technology from CNC engineering. The specially developed PLC control guarantees extreme accuracy and shortest cycle times.

- Saw carriages, sawing units, angle presser units and rip fences are held precisely by ground V-guides preventing vibration. This ensures clean and precision cuts.
- Precision cuts on single panels and naturally with extreme cutting heights as well.
- Outstanding reliability, maximum operating convenience.
- The dynamic and lift versions are perfectly equipped for charging with a storage system or lift table.
- Machines and support tables with air nozzles for simple and gentle material handling even with heavy panel stacks.
- The high quality rack-and-pinion drive provides for high acceleration rates and rapid operating cycles without effort.
- Rip fence return speed: 100 m/min.
- Positioning speed: 25 m/min (CE).
- Sawing unit return speed: 150 m/min.
- Infinitely regulated feed rates up to 130 m/min.
- Electronically controlled pressure beam with optimized stroke for short cycling times.
- Servo-controlled double angle presser unit, parameter-controlled by material.



Illustrations may show optional equipment.

» The right machine
for high demands
in high quality craft shops
and industrial applications. «



Your cutting work – perfect and efficient

Automatic cutting

- Improved handling for greater convenience.
- A1 cutting quality.
- Shorter machining times.

Energy management

- Lower energy consumption through efficient utilization.
- Lower emissions.
- Optimized evacuation technique.
- Software-controlled efficiency control.

Simple work preparation

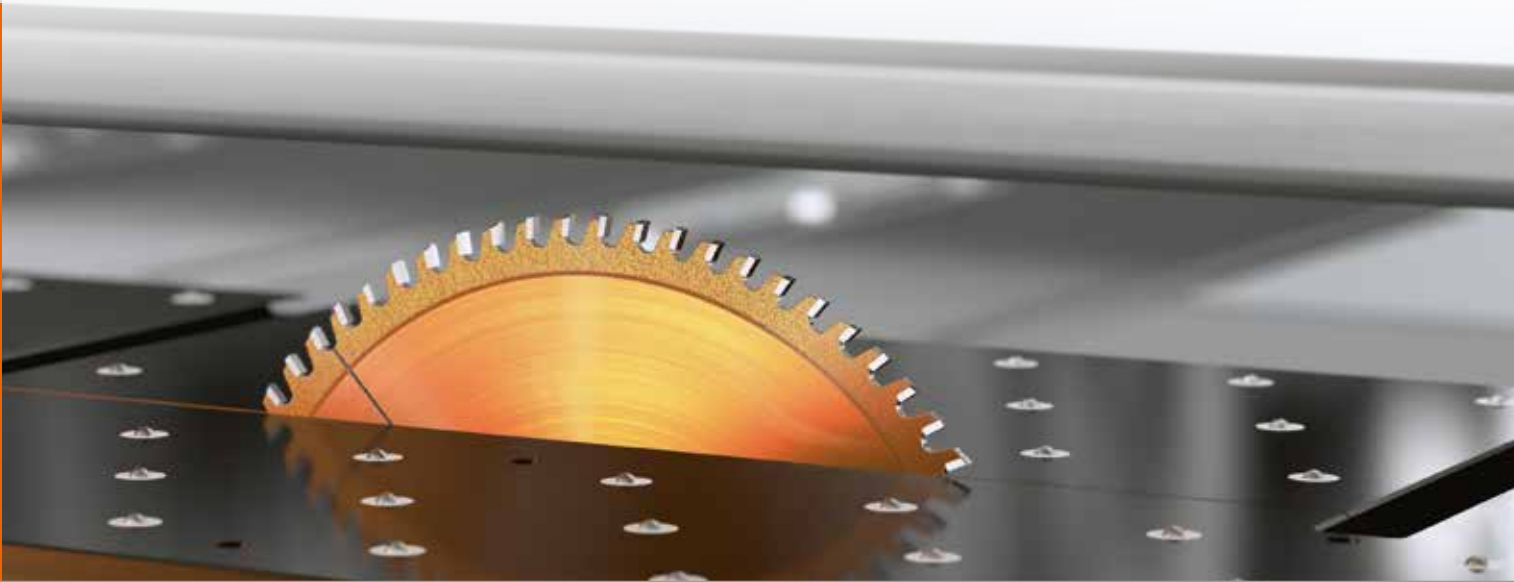
- Optimization software.
- Production scheduling.
- QuickWorks – the perfect optimization assistant.
- Preliminary and follow-up calculation.
- Material management.

Complete solutions

- Optimally prepared for charging systems.
Lift table solutions and storage systems.
- Also perfect for interconnected machines.



The intelligent energy
management system –
Standard on all HOLZ-HER
panel cutting saws.



Technology for maximum performance

Automation of operating processes

- Data transfer from external programs.
- Three clicks to cutting.
- Quick and simple generation of cutting plans.
- More cutting power.
- The way to proper work preparation.
- Preliminary and follow-up calculation of cutting jobs.
- Prepared for connection to 3rd party software and storage systems.
- Simple operation – rotating and swiveling control panel at eye height.

Fast and reliable

- Fastest programming of its type.
- Clear machine control.
- Simple and uncomplicated operation.
- Equipped for all your projects.
- Overview of job capacity.
- Cost estimate.
- Certified safety for your employees.
- A workplace to appreciate.
- Perfect human engineering for your employees.
- Consistent perfect cutting.

This is what your customers
can expect from the ZENTREX.



Cut for cut we show you the
simple way to perfect cutting.

The software for every job.

Perfect work
preparation

Unique
interface solution

SOFTWARE PACKAGE IN OFFICE



HOLZ-HER **Orbit**

Orbit gives you complete control over the HOLZ-HER software modules. Change over quickly between various windows and keep an overview of your production.

Preliminary and follow-up calculation at the touch of a button

Seamless connection to your machine

Orbit

Equipped for all jobs – whether large or small



One click away from your machine

Cutting optimization

Perfect material utilization and maximum yield thanks to intelligent software. Thus you already know your material and production costs.

Production planning

Plan and supervise your production. The perfect tool, also for follow-up calculation.

The HOLZ-HER software package –
the comprehensive solution for your cutting needs.

SOFTWARE PACKAGE ON MACHINE

Simple operation and
marking of all parts

Sawing Unit:
up to 25 kW



QuickWorks

Just three clicks for a complete cutting plan:

- Import job
- Optimize job
- Transfer cutting plan to machine
and you're ready to start cutting!

Direct cutting

Simple to make single
and series cuts.

Fast cutting
cycles

Saw Blade Protrusion
up to 130 mm

Unlimited
number of jobs

Inspiring
production



OptiCut

High performance optimization solution
with material management.

EasyPlan

The fast and simple tool for
optimization right at the machine.

CutControl 2

A perfectly designed workplace provides the basis for efficient, non-fatiguing work. With the 21.5" control terminal HOLZ-HER panel cutting saws satisfy all requirements placed by machine operators. The ergonomically adjustable rack offers space to position up to two printers, scanner, keyboard and mouse where they are located perfectly for the operator.

- The graphic-based 21.5" user interface guarantees an optimum view of the 3D real time graphic display as well as a full graphic processing aid.
- The self-explanatory graphic user interface ensures that your employees can start operating the machine quickly and properly without any major training.
- Optimized display of information ensures maximum "clarity" (buttons and features not required are hidden).
- Operating states, service and maintenance intervals as well as separately programmed energy management are displayed in real time.



Practical control –
for practical work.



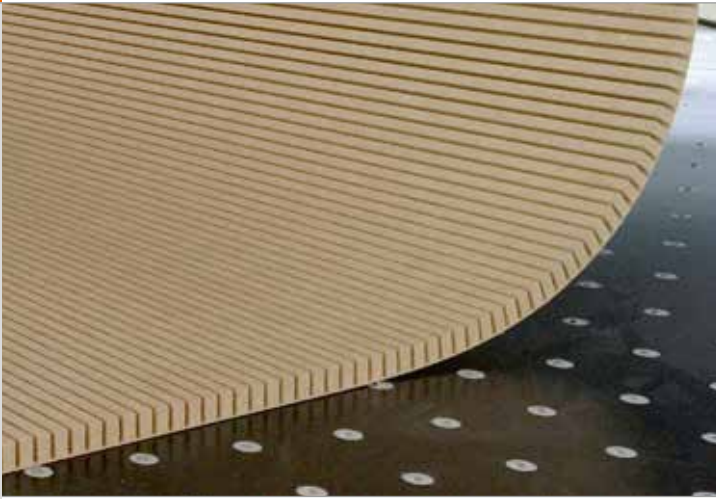
- The ZENTREX can be equipped with an optional touchscreen to allow you to operate the CutControl even faster and more effectively. The graphic user interface is designed for overall control with the touchscreen.

- All controls are laid out for perfect control with the mouse or touchscreen.
- Remote maintenance assistant, video monitoring, USB port or use of many windows help programs are simply matter of course!

Perfect data flow to HOLZ-HER programming system

- Programming
- Sawing
- Edgebanding
- CNC machining





Bidirectional grooving

The graphic grooving and plunge-cut programming feature allows you to complete the desired parts within the shortest possible time and see the programmed cutting results in real time. For you this means: Enormous time savings with bidirectional cutting sequence for grooving on your HOLZ-HER saws. Precise grooves are cut in both feed and return directions, saving valuable production time.



Labeling system

The labeling module opens up great new possibilities for designing labels custom tailored to your production. Whether with logo, barcode or data matrix – you can design your own custom label or use one of the predefined labels.



Remnant management

From cutting to label printing, the entire process is handled automatically. Even the remnants are booked in and out automatically. Remnants added or removed manually can be managed seamlessly by the system.



Maintenance and service help

Clear, detailed service and maintenance help in clear text and as illustrated guide make it simple to perform maintenance at the proper intervals.



MULTISTORE

“MultiStore” storage management offers security for the future

HOLZ-HER’s “MultiStore” storage software ensures reliable handling of all panel formats as well as remnants. This saves a considerable amount of material and eliminates time consuming searches for the right remnant. The mobile “MultiScan” hand scanner allows you to scan barcodes and see immediately on the display, whether the part is available or has already been reserved for another job.

■ Remnant management

Fully automatic in and out booking while cutting. Parts required can be booked in and out manually.

■ Storage compartment full display

The storage program manages filling of the remnant boxes itself. This gives you a reliable overview and saves valuable panel material.

■ Label printout

Remnant labels can also be designed freely, ensuring clear identification of remnant pieces.

■ Bluetooth and wireless communication

With the hand scanner you are equipped for the next generation, regardless of whether Bluetooth or WiFi – the hand scanner operates at both levels.

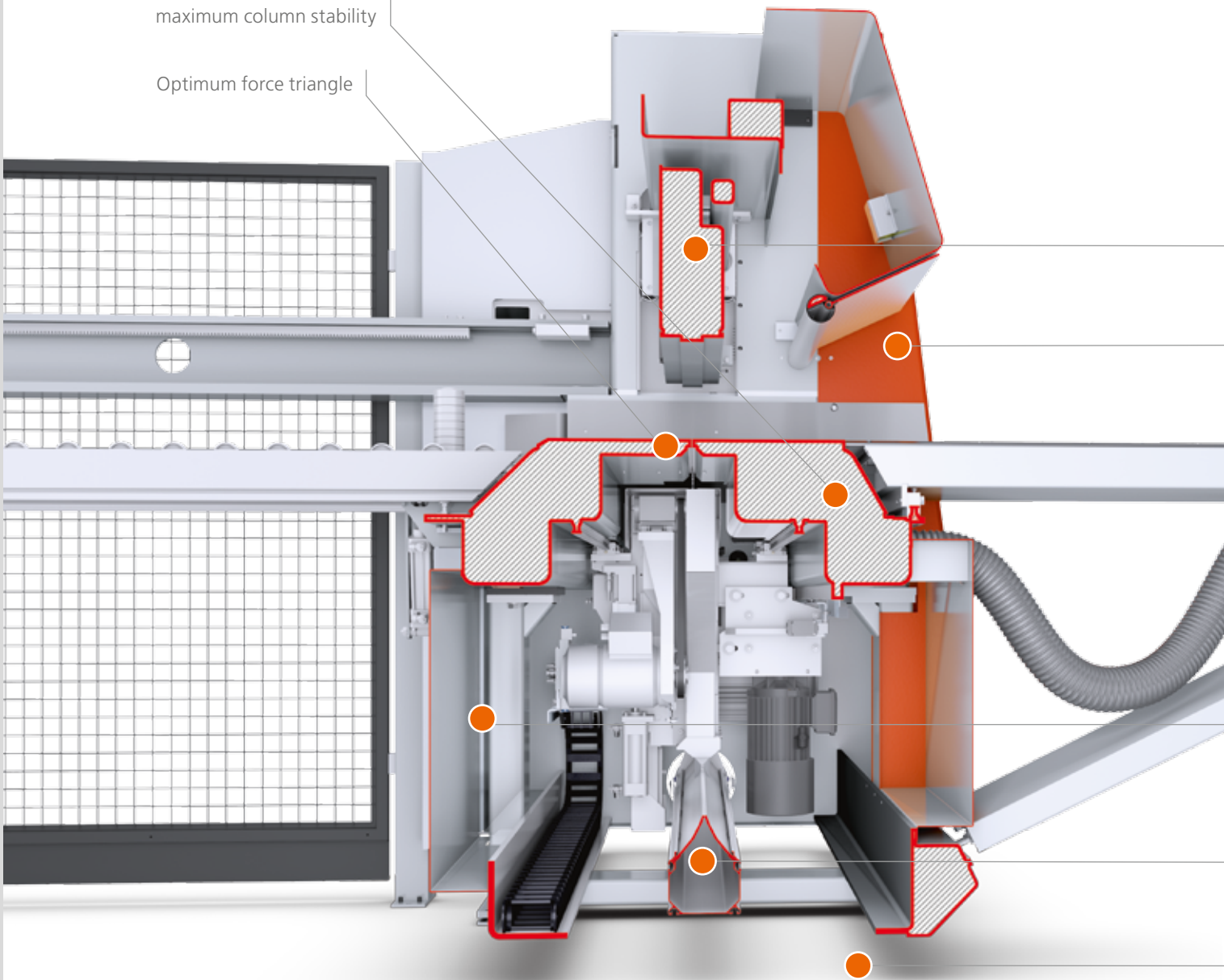


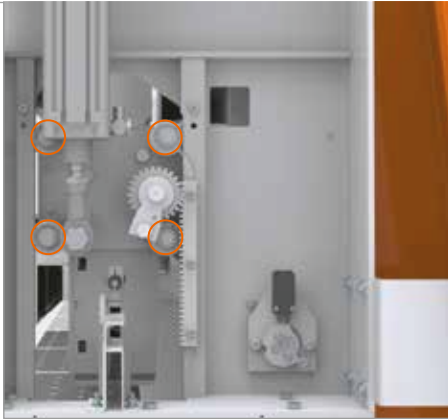
Stability for reliability

Combining years of experience with saws with state-of-the-art technology yields a unique result: ZENTREX. The prerequisite for development of this series was to obtain a maximum saw blade protrusion with a small saw blade. The well-thought-through design of the ZENTREX also guarantees particularly high stability and thus exact cutting results. The servo-drives used ensure rapid cycle times. The ZENTREX is the perfect model of ergonomic control.

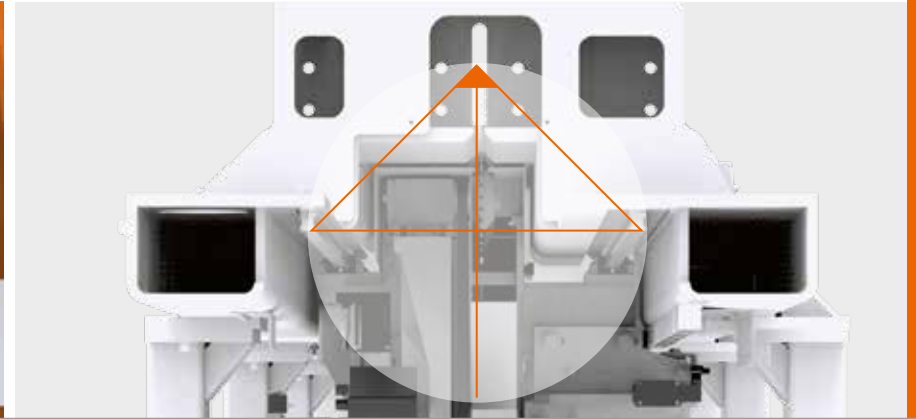
Nested profile design for maximum column stability

Optimum force triangle





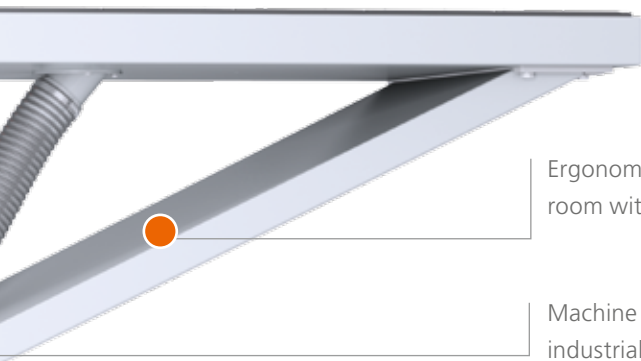
Separately guided pressure beam and state-of-the-art welded construction for 100 % stability.



Sawing carriage with bilateral guides, small saw blade – maximum blade protrusion! Feed with rack-and-pinion drive – up to 150 m/min.

Welded pressure beam

Free view of cutting area



Ergonomically perfect – maximum leg room without stumbling points

Machine design to industrial standards

Optimized evacuation

Floor clearance for maintenance and cleaning work

Illustrations may contain optional features.

ZENTREX 6220 classic and ZENTREX 6220

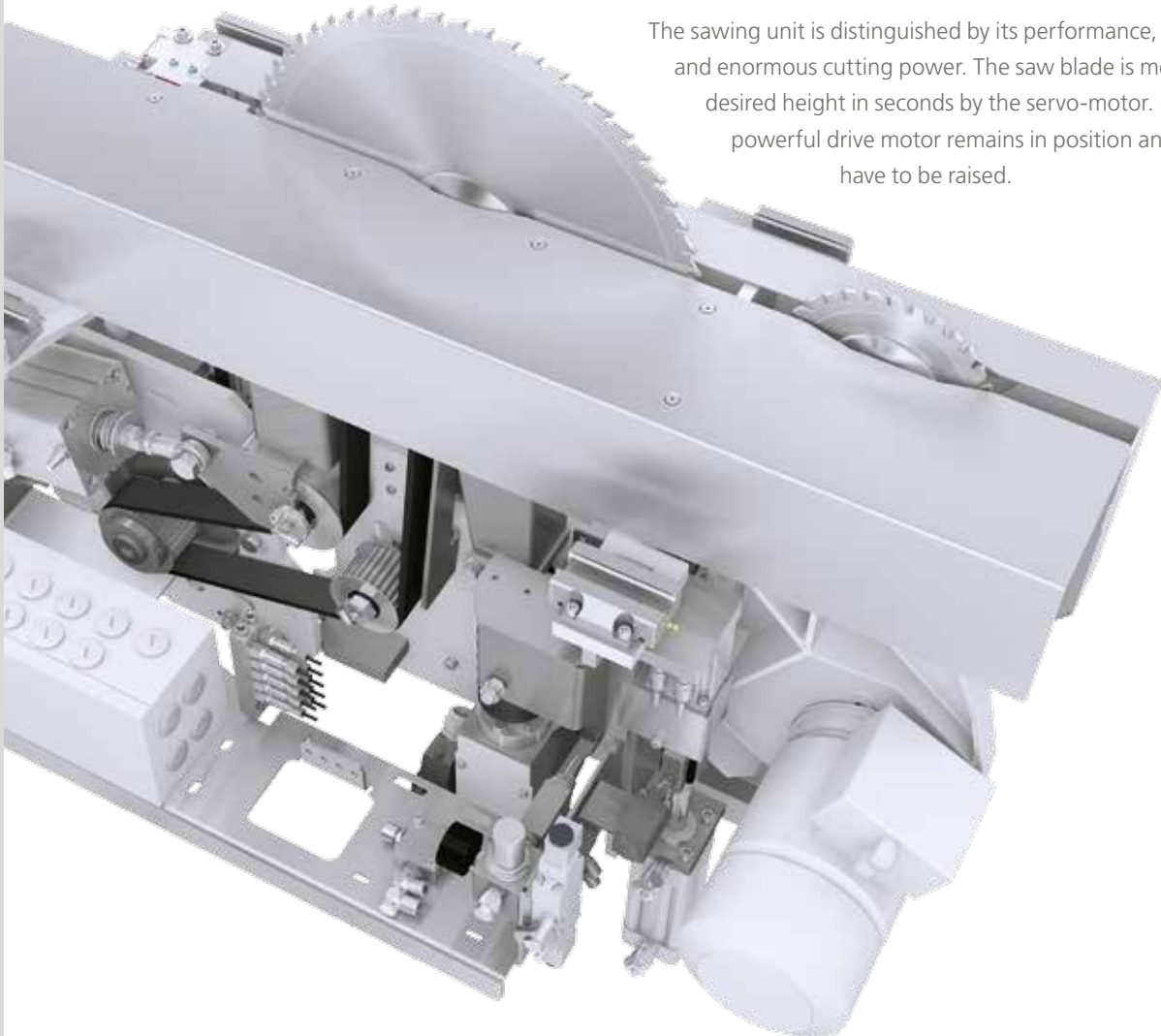
Strong partners for optimum cutting

With the ZENTREX series of pressure beam saws HOLZ-HER is launching a new era in equipment and precision for cutting in high quality craft shops and industrial applications.

■ Saw blade protrusion

The ZENTREX 6220 panel cutting saws offer a saw blade protrusion of 130 mm (105 mm on classic) and are already equipped with a powerful 18-kW motor (15 kW on classic) as a standard feature. For even more power – especially for stacks of panels – the ZENTREX can be equipped with an optional higher power 25-kW drive – on the classic up to 21 kW.

The sawing unit is distinguished by its performance, precision and enormous cutting power. The saw blade is moved to the desired height in seconds by the servo-motor. Here the powerful drive motor remains in position and does not have to be raised.





■ **Electronically positionable prescoring saw**

The position of the scoring saw on the ZENTREX 6220 can be adjusted precisely on the control panel using the two servo-controlled positioning axes for height and lateral adjustment. Valuable time in changing over is saved in this way and a perfectly cut product is guaranteed (Fig. 1).

■ **Electronically positionable grooving unit**

The bidirectional grooving unit allows infinite adjustment of the grooving depth up to 130 mm (105 mm on classic). By grooving in both the feed and return directions this feature ensures maximum time savings when producing wide grooves and flexible panels (Fig. 1).

■ **Central lubrication**

Every sawing carriage is equipped with central lubrication. A fully automatic version is also available as an option (Fig. 2).

■ **Feed rate**

Infinite feed rates up to 150 m/min on the sawing carriage ensure short cycle times. The solid design of the machine column, optimized evacuation guidance as well as precise direct drive ensure continuous optimum cutting quality.

■ **Linear guides**

Even the classic model of the ZENTREX 6220 offers precision technology with ground linear guides on the sawing carriage, on the sawing unit, on the angle presser unit and on the rip fence. Direct rack-and-pinion drive and proximity-type sensor for absolute dimensions guarantee maximum positioning accuracy (Fig. 3).



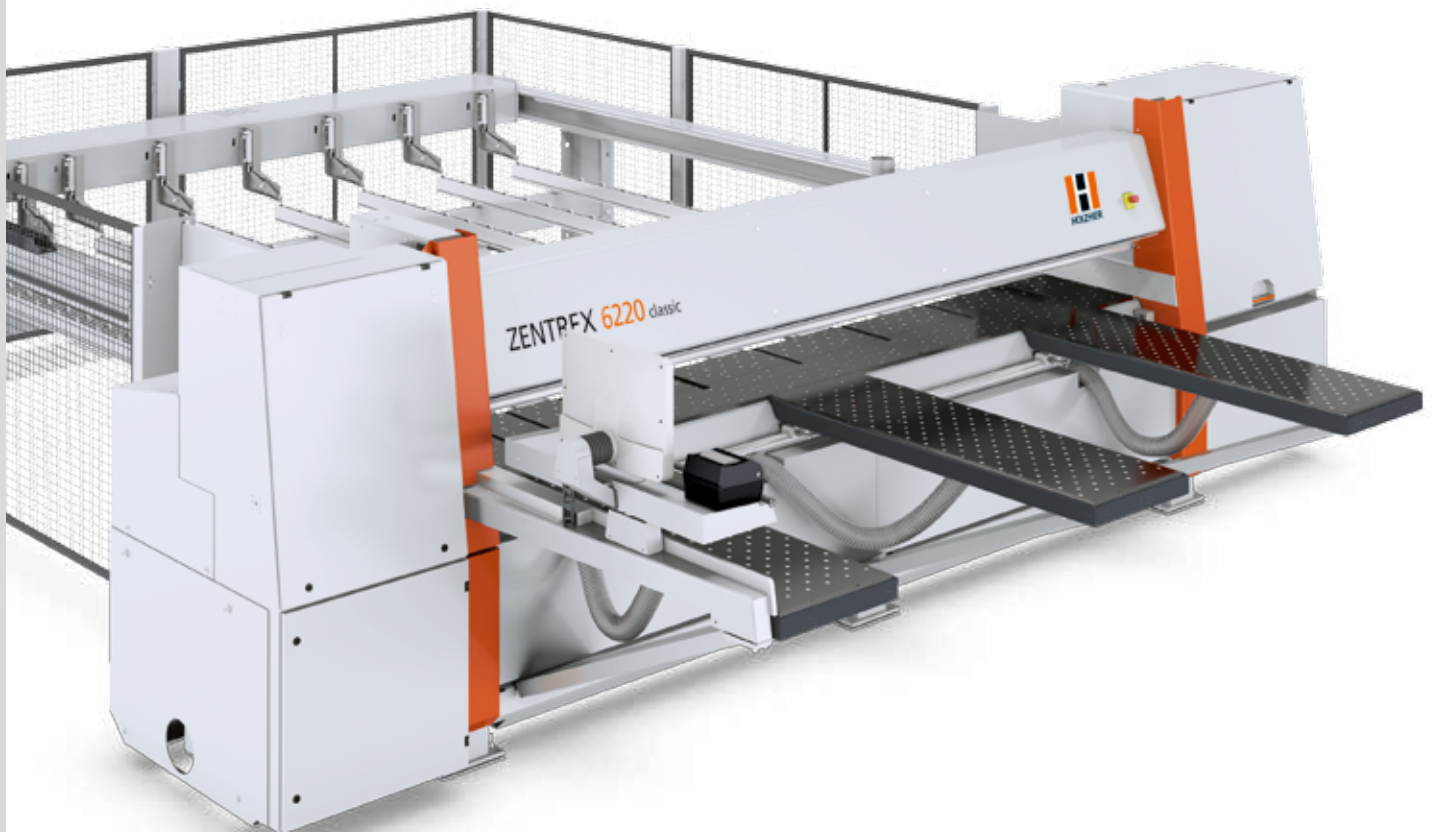
Only with HOLZ-HER
10 year guarantee on
all linear guides!

ZENTREX 6220 classic – perfect cutting in high quality craft shops with mass production

High performance craft shops frequently reach industrial levels. The classic models in the ZENTREX series were developed precisely to meet this requirement profile. With a saw blade protrusion of 105 mm, the powerful drives and attachments the classic version is inspiring even for mass production cutting.

The perfectly adapted software – if desired with database link (HOLZ-HER Orbit) – optimizes workflow from customer order in office to production planning, right up to shipment, thus enhancing the efficiency of your shop.

In the dynamic version the ZENTREX is first choice for attachment to the HOLZ-HER STORE-MASTER panel storage system.



■ **Double-finger workpiece clamping**

The three double-finger workpiece clamps in stop area allow narrow strips to be cut simultaneously. All clamps have a floating mount allowing them to compensate for irregularities in the panels/stacks via a linear guide (Fig. 1).

■ **Angle presser unit (pneumatic)**

The pneumatic, program-controlled, path-optimized angle presser unit (up to 1200 mm maximum) – with rubberized, ball bearing pressing roller – holds the workpieces in a secure position, ensuring exact right angle cuts even on long workpieces (Fig. 2).

Optional equipment also provides servo-control up to 2200 mm and a double version guaranteeing right angle cuts even on minimal trim cuts!

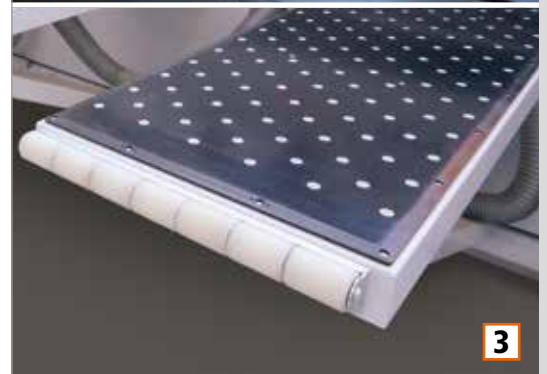
■ **Solid air cushion tables**

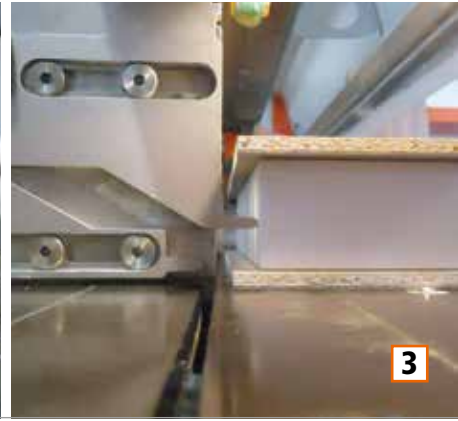
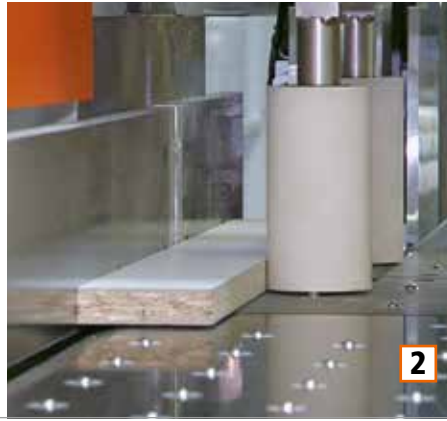
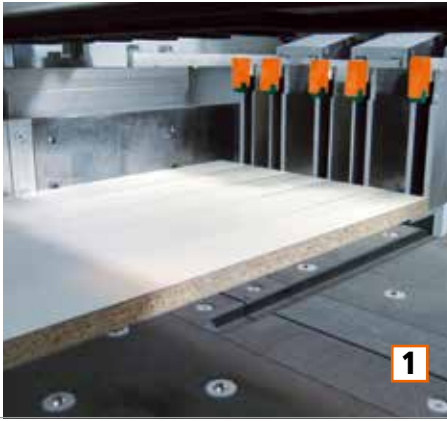
The machine and support tables (1800 mm) with air nozzles provide a cushion of air in front and back of the sawing line for easy, gentle handling. All support tables can be replaced with a 2400 mm version as an option to provide more space for mass production cutting (Fig. 3).

Operating convenience that pays for itself: Every ZENTREX model offers an option of shifttable support tables which can be adjusted easily and precisely on linear guides.

■ **Angle cutting unit**

Angle cutting unit – the optional feature for simple and fast completion of exact, freely defined angle cuts, which would otherwise require a machining center or formatting saw (Fig. 4).





ZENTREX 6220 – the industrial solution for your business

The ZENTREX 6220 was developed especially for industrial use. The sturdy construction of the machine column and sawing unit right up to the panel pusher is convincing even in shift operation. The powerful saw drive with up to 25 kW and 130 mm saw blade protrusion satisfy all desires, even when cutting large stacks of panels. The intelligent workpiece clamps and double “TwinPress” angle presser unit included as standard features guarantee high quality and optimum workpiece accuracy at all times.

With its various models; the performance, dynamic right up to the lift version, the ZENTREX perfectly fulfills all requirements from lot size to mass production. The perfectly adapted software – if desired with database link (HOLZ-HER Orbit) – optimizes workflow from customer order in office to production planning, right up to shipment, thus enhancing the efficiency of your shop.

■ **Double-finger workpiece clamps (intelligent industrial version)**

Three double finger workpiece clamps in the stop area allow simultaneous cutting of narrow strips with maximum stability on the ZENTREX 6220.

The floating design of these clamps compensates irregularities in the panel stack via a linear guide (Fig. 1).

■ **Angle presser unit (TwinPress-system)**

The servo-controlled, program-optimized angle presser unit with rubberized, ball bearing pressing roller in front and in back of the cutting line presses the material to be cut gently and at a precise right angle against the solid linear stop (Fig. 2).

■ **Solid air cushion tables**

The machine and support tables (1800 mm) with air nozzles provide a cushion of air in front and back of the sawing line for easy, gentle handling on the support tables. All support tables can be replaced with a 2400 mm version as an option to provide more space for mass production cutting.

■ **Trimming stops**

Optional pneumatically controlled trimming stops are available for precise cutting on e.g. veneered workpieces.

On the ZENTREX 6220 these are also available as a double version (not on classic) (Fig. 3).

■ **Angle cutting unit**

Angle cutting unit – the optional feature for simple and fast completion of exact, freely defined angle cuts, which would otherwise require a machining center or formatting saw.



Feeding and handling systems

For individual and efficient production

Customer requirements are changing. Our modern society with its many cultural influences is reflected by highly differing tastes. Custom solutions, which take the personal lifestyle of the customer into consideration, are the strength of small cabinetmaking workshops. However, economical handling of small batches is nowadays also expected from industrial workshops. A variety of

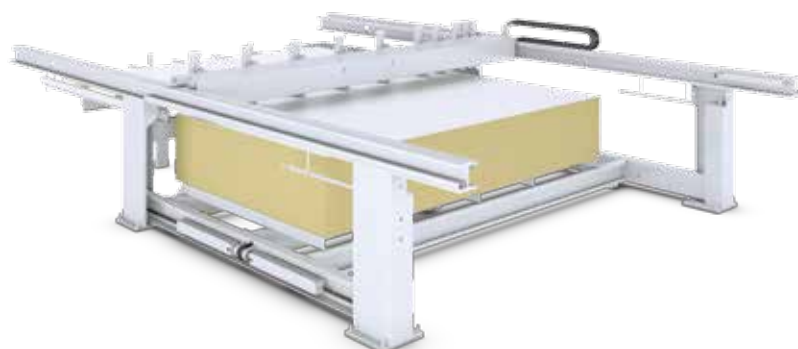
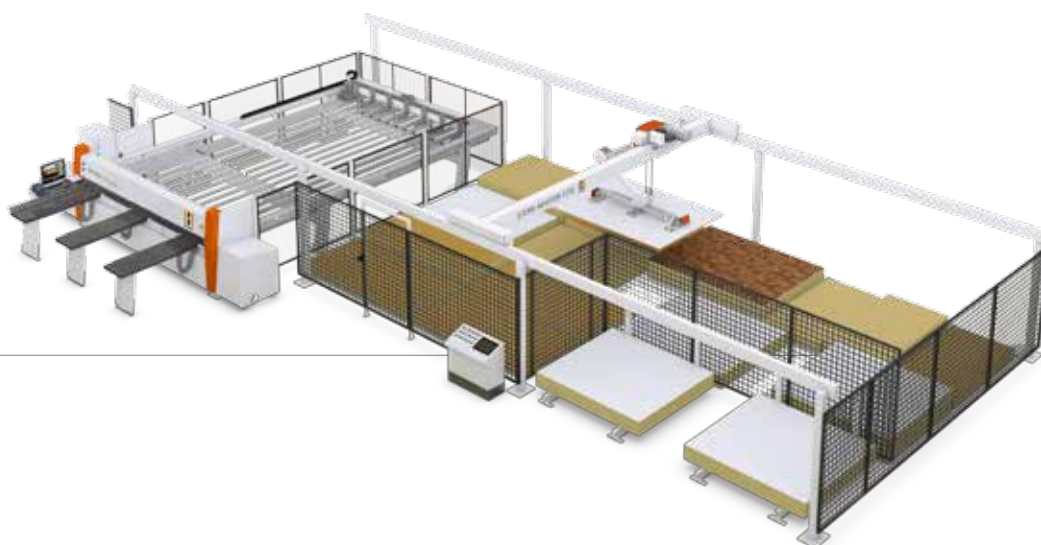
decors, veneers and new types of panel materials poses the problem of storage and effective handling of such material. In this sector HOLZ-HER is your competent partner and a pioneer for innovative solutions in automation of panel and material handling with extreme savings potentials. Profit from our knowhow and make your production more profitable.





State-of-the-art and profitable charging of panel cutting saws

HOLZ-HER storage systems offer fully-automated and intelligent processes as well as highly-efficient use of available storage space. Mature, fully integrated software with chaotic storage management increases production capacity enormously.



The lift solution for maximum material throughput

Solid precision lifting table for high-capacity mass production. The small space requirement and enormously high supporting capacity enable high-speed processing at high material throughput rates using package cuts. Select the appropriate version for optimal integration into your production process.

ZENTREX 6220	classic	classic dynamic
Charging	Via vacuum storage system	Via vacuum storage system
	x	x
	Panel alignment unit	Panel alignment unit
Saw Blade Protrusion	Max. 105 mm	Max. 105 mm
Main Sawing Unit	15 kW	15 kW
	18 kW	18 kW
	21 kW, Speed control	21 kW, Speed control
	380 mm, Dia. saw blade	380 mm, Dia. saw blade
	Automatic cutting length	Automatic cutting length
Scoring Unit	2,2 kW	2,2 kW
	3 kW, Speed control	3 kW, Speed control
	180 mm, Dia. saw blade	180 mm, Dia. saw blade
	Electrical adjustment	Electrical adjustment
Postforming	280 mm (3 kW), Dia. saw blade	280 mm (3 kW), Dia. saw blade
Grooving Unit	Electrical adjustment	Electrical adjustment
Sawing Carriage Feed Forward Backward	1 – 100 m/min 150 m/min	1 – 100 m/min 150 m/min
Rip Fence Positioning speed Return speed	25 m/min 100 m/min	25 m/min 100 m/min
Workpiece Clamps	3 Double-finger clamps	3 Double-finger clamps
	3 – 7 clamps	3 – 7 clamps
	Intelligent workpiece clamps	Intelligent workpiece clamps
	Angle cutting clamp	Angle cutting clamp
Angle Presser	Controlled (1 roll)	Controlled (1 roll)
	TwinPress, controlled (2 rolls)	TwinPress, controlled (2 rolls)
Machine and Support Table	With air cushion	With air cushion
	Additional support tables	Additional support tables
Trimming Stops	Pneumatically-controlled (single)	Pneumatically-controlled (single)
	x	x
Screen 16:9	21,5"	21,5"
	21,5" Touch	21,5" Touch
Control	CutControl 2	CutControl 2
Optimization	EasyPlan	EasyPlan
	OptiCut	OptiCut
	Office package	Office package
	Material and remnant management	Material and remnant management
Label System	Printing software	Printing software
	Label printer	Label printer
	Bar code scanner	Bar code scanner

Standard
 Option
 x Not possible

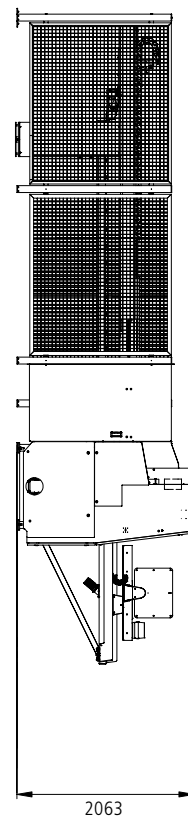
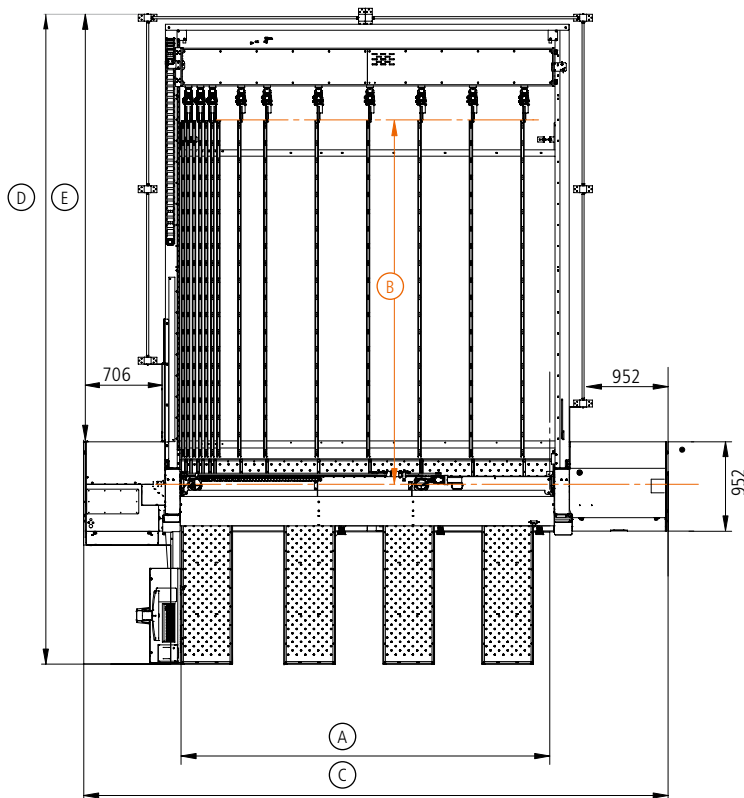
performance	dynamic	lift
Via vacuum storage system	Via vacuum storage system	x
x	x	Via lifting table
Stack aligner	Stack aligner	Stack aligner
Max. 130 mm	Max. 130 mm	Max. 130 mm
18 kW	18 kW	18 kW
21 kW	21 kW	21 kW
21/ 25 kW, Speed control	21/ 25 kW, Speed control	21/ 25 kW, Speed control
430 mm, Dia. saw blade	430 mm, Dia. saw blade	430 mm, Dia. saw blade
Automatic cutting length	Automatic cutting length	Automatic cutting length
2,2 kW	2,2 kW	2,2 kW
3 kW, Speed control	3 kW, Speed control	3 kW, Speed control
180 mm, Dia. saw blade	180 mm, Dia. saw blade	180 mm, Dia. saw blade
Electronic adjustment	Electronic adjustment	Electronic adjustment
280 mm (3 kW), Dia. saw blade	280 mm (3 kW), Dia. saw blade	280 mm (3 kW), Dia. saw blade
Electrical adjustment	Electrical adjustment	Electrical adjustment
1 – 130 m/min 150 m/min	1 – 130 m/min 150 m/min	1 – 130 m/min 150 m/min
25 m/min 100 m/min	25 m/min 100 m/min	25 m/min 100 m/min
3 Double-finger clamps	3 Double-finger clamps	3 Double-finger clamps
3 – 9 clamps	4 – 9 clamps	4 – 7 clamps
Intelligent workpiece clamps	Intelligent workpiece clamps	Intelligent workpiece clamps
Angle cutting clamp	Angle cutting clamp	x
x	x	x
TwinPress, controlled (2 rolls)	TwinPress, controlled (2 rolls)	TwinPress, controlled (2 rolls)
With air cushion	With air cushion	With air cushion
Additional support tables	Additional support tables	Additional support tables
Pneumatically-controlled (single)	Pneumatically-controlled (single)	Pneumatically-controlled (single)
Pneumatically-controlled (double)	Pneumatically-controlled (double)	Pneumatically-controlled (double)
21,5"	21,5"	21,5"
21,5" Touch	21,5" Touch	21,5" Touch
CutControl 2	CutControl 2	CutControl 2
EasyPlan	EasyPlan	EasyPlan
OptiCut	OptiCut	OptiCut
Office package	Office package	Office package
Material and remnant management	Material and remnant management	Material and remnant management
Printing software	Printing software	Printing software
Label printer	Label printer	Label printer
Bar code scanner	Bar code scanner	Bar code scanner

Measures and weights

ZENTREX 6220	A (Cutting length)	B (Cutting width)	C	D*	E	Weight
classic						
3300x3150	3300 mm	3150 mm	5820 mm	6580 mm	3990 mm	4210 kg
4300x3150	4300 mm	3150 mm	6820 mm	6580 mm	3990 mm	4900 kg
4300x4250	4300 mm	4250 mm	6820 mm	7580 mm	4990 mm	5100 kg
5900x4250	5900 mm	4250 mm	8420 mm	7580 mm	4990 mm	6440 kg
classicdynamic						
4300x4250	4300 mm	4250 mm	6820 mm	10,830 mm**	8240 mm**	5100 kg
4300x6250	4300 mm	6250 mm	6820 mm	9580 mm	6990 mm	5600 kg
5900x6250	5900 mm	6250 mm	8420 mm	9580 mm	6990 mm	7150 kg
performance						
3300x3150	3300 mm	3150 mm	5820 mm	6580 mm	3990 mm	4210 kg
4300x3150	4300 mm	3150 mm	6820 mm	6580 mm	3990 mm	4900 kg
4300x4250	4300 mm	4250 mm	6820 mm	7580 mm	4990 mm	5100 kg
5900x4250	5900 mm	4250 mm	8420 mm	7580 mm	4990 mm	6440 kg
dynamic						
4300x4250	4300 mm	4250 mm	6820 mm	10,830 mm**	8240 mm**	5100 kg
4300x6250	4300 mm	6250 mm	6820 mm	9580 mm	6990 mm	5600 kg
5900x4250	5900 mm	4250 mm	8420 mm	10,830 mm**	8240 mm**	6620 kg
5900x6250	5900 mm	6250 mm	8420 mm	9580 mm	6990 mm	7250 kg
lift/2200						
4300x4200	4300 mm	4200 mm	6820 mm	9730 mm	7140 mm	6600 kg
lift/2500						
4300x4200	4300 mm	4200 mm	6820 mm	10,480 mm	7890 mm	6600 kg

* with support table 1800 mm

**with free space for belt conveyors



Product brochures and many
videos are available at
www.holzher.com

The technical data specified is intended for reference only. HOLZ-HER woodworking machines are subject to constant development and are therefore subject to modification without prior notice. The illustrations are therefore not binding. Some of the machines shown also contain special equipment not included as a standard feature. For clarity, some of the machines are shown without protective hood.

Picture credits:

»Werbefotografie Weiss«;

»Deutschland, Bayern, München, Männer und Frauen diskutieren im Büro« © Westend61 – Fotolia.com;

»Geschäftsleute in Bürogemeinschaft« © Westend61 – Fotolia.com

UK – HOLZ-HER 3552 45 – Printed in Germany/Imprimé en Allemagne
Printed on: 10.05.2017 – First edition: 11.03.2016

Your authorized HOLZ-HER dealer

**HOLZ-HER GmbH**
Plochinger Straße 65
72622 Nürtingen
Germany
T +49 (0) 70 22 702-0
kontakt@holzher.com
www.holzher.com

HOLZHER

A member of the WEINIG Group