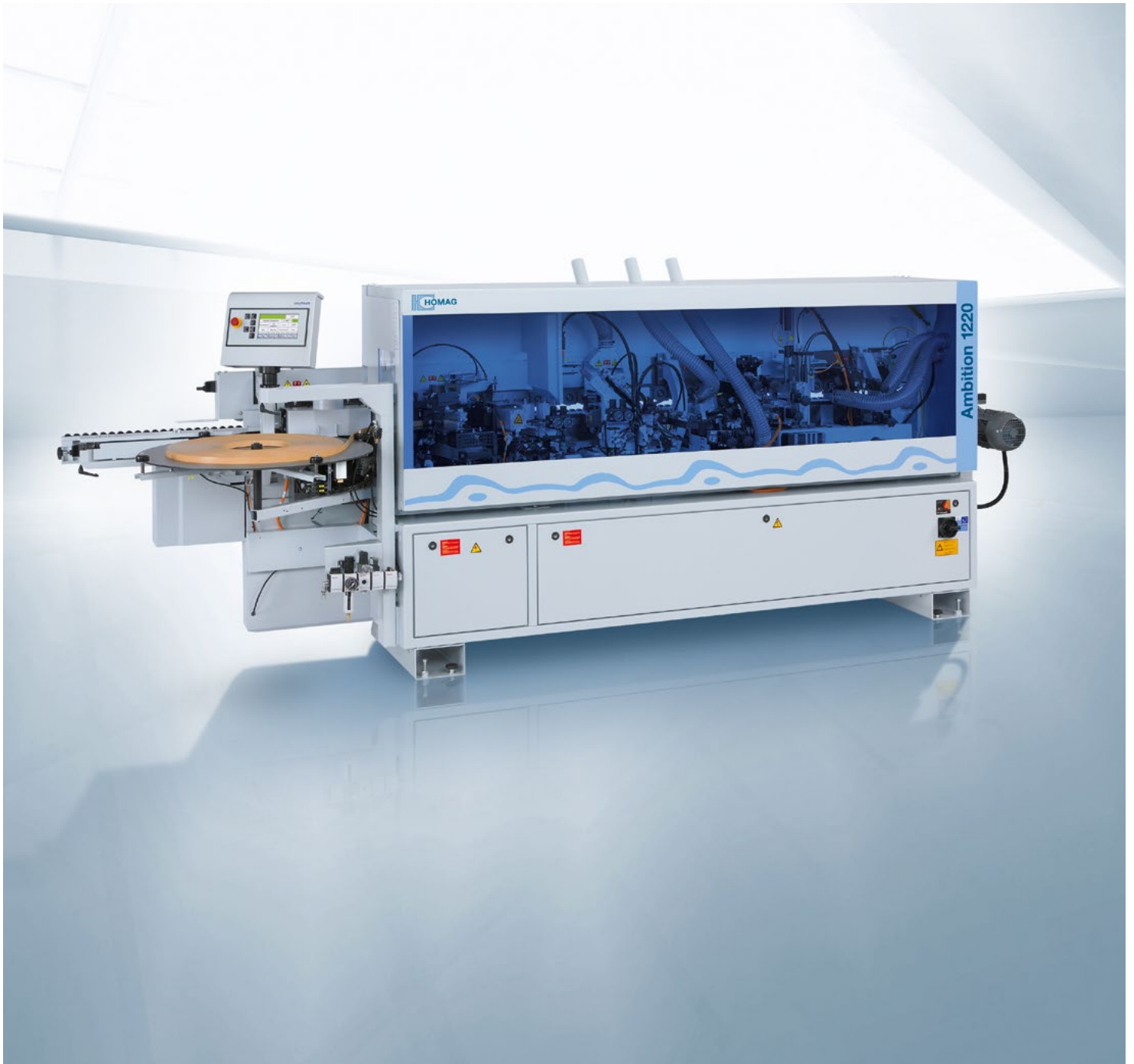


Edge banding machines  
Ambition/Highflex/airTec/edition  
Series 1100–1400







## Perfect edges produced with flexible machines for demanding customers

Individual customer requirements, sophisticated products, and a large range of materials — these are all requirements that play a key role in today's wood processing sector. It is therefore important that production is flexible and efficient, especially in the trade sector and for medium-sized businesses.

HOMAG offers you unbeatable advantages, operating international production plants and sales and service companies, with a presence in more than 100 countries and around 6000 employees. HOMAG can help make your business competitive and ensure lasting business success.

The Result: **YOUR SOLUTION**

### Contents

- 02 Contents
- 04 Ambition series
- 06 Ambition 1110–1440 airTec, Highflex and KDF 440 edition
- 24 powerTouch/easyTouch control systems
- 26 Our unit modules
- 28 Units
- 41 Technical data
- 48 BOOMERANG® return
- 50 LifeCycleServices





**The easyTouch control system embodies a new generation of operating systems.**

The touchscreen surface guarantees fast navigation and a high level of operating comfort. With Ambition 1100–1200.



**Control with powerTouch**

Control machine functions directly using the multi-touch monitor in widescreen format. The ergonomic design, as well as numerous help and assistant functions, simplify operation significantly. With Ambition 1400.



**Multiprofile technology**

for easy adjustment of the units at the touch of a button. Saves time and increases quality.



**Nesting package (optional)**

Consisting of multiple tracing on trimming and scraper units. Use for bridging concealed hinge bore holes, for example.



## Ambition series — everything included as standard

**THE MOST IMPORTANT FEATURES OF THE MODELS.** What distinguishes the Ambition series is its extensive equipment, including a belt top roll pressure unit for precise workpiece guiding (from Ambition 1400), as well as optimized trimming tools for optimum chip removal and perfect processing quality. A variable feed rate for different performance classes ensures a high level of productivity. In addition, all the machines in the Ambition series are expandable — additional units such as scrapers or buffing units can be set up on specific machines with empty slots. Machines in the HOMAG Ambition series are energy efficient and environmentally friendly.

- **High-quality furniture with high-quality edges**
- **More output due to high availability**
- **Low energy requirements**
- **High levels of efficiency**
- **Optimal price/performance ratio**



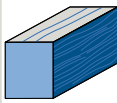
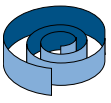
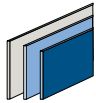
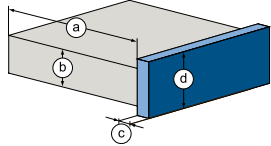
### Zero joint technology with HOMAG airTec

The units are now equipped with a rotation fan heater, which improves the efficiency of the process, reduces noise, and ensures a more cost-effective use of resources.



### Material types

The ability to process all material types offers great flexibility: 0.4 mm melamine, 2 mm ABS, 8 mm solid wood strip, veneer, high gloss, nesting.

	SOLID (mm)	COIL (mm)	STRIPS (mm)
			
<b>a</b>	for b = 22: min. 70 for b = 40: min. 125		
<b>b</b>	8-40		
<b>c</b>	0.4-3.0	0.4-3.0	0.4-3.0
<b>d</b>	45		
			



## Ambition 1110-1110 F

The compact edge banding machines of the Ambition 1110 series are characterized by outstanding flexibility and intuitive operation.

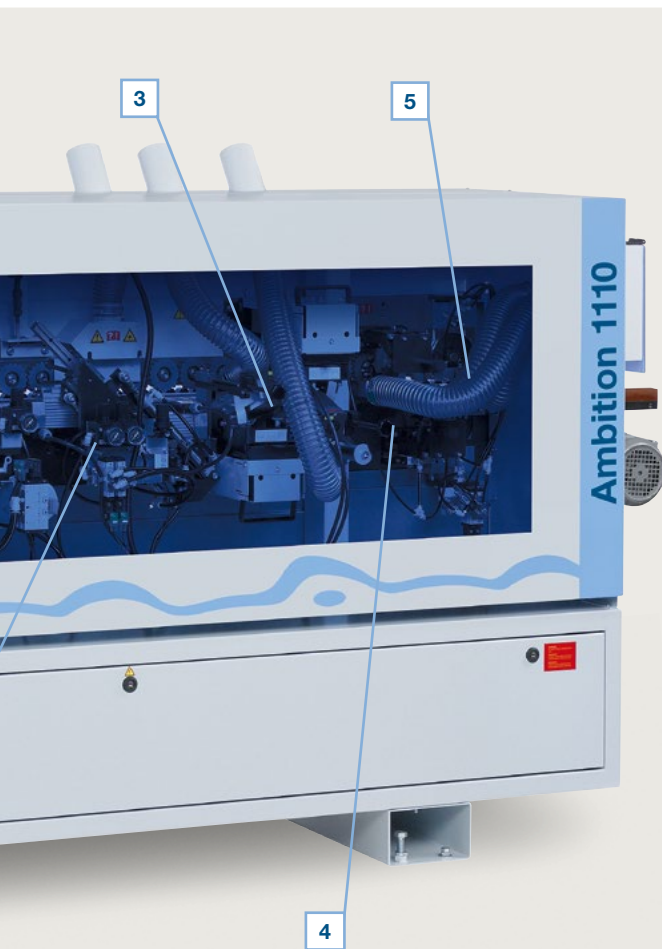
All the machines are equipped with a precise gluing section and an automatic fixed length magazine for reliable material infeed. The magazine can be used for coil and fixed length material. The two-motor snipping unit guarantees a precise cut and optimum results. The flush trimming tool is simple to operate and can be reset with a quick, simple movement to the three different settings flush, chamfer or radius.

The Ambition 1110 F model also features a jointing trimming unit for optimum preparation of the workpiece.

The highlight of these machines is the finishing section, which offers 2 free slots for outstanding flexibility.

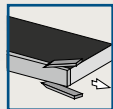
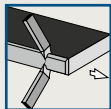
The 3 units available here (profile scraper blade, glue joint scraper blade and buffing unit) can be positioned in varying combinations on the 2 free slots as requested by the customer ex works.

**Feed rate: 8 m/min**



**Ambition 1110**

- 1 Gluing unit
- 2 Snipping unit
- 3 Trimming unit
- 4 Profile scraper (optional)
- 5 Glue joint scraper (optional)



Option

Option



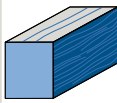
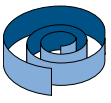
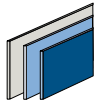
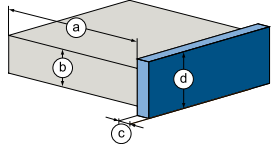
**Ambition 1110 F**

This model contains the same equipment as the Ambition 1110, with the addition of a joint trimming unit.

**MATERIAL TYPES**

- 0.4-mm melamine
- 2-mm ABS
- Veneer (roll)
- Nesting option



	SOLID (mm)	COIL (mm)	STRIPS (mm)
			
<b>a</b>	for b = 22: min. 70 for b = 40: min. 125		
<b>b</b>	8-40		
<b>c</b>	0.4-3.0	0.4-3.0	0.4-3.0
<b>d</b>	45		
			



## Ambition 1120 C, Ambition 1120 F and Ambition 1120 FC

The compact edge banding machines of the Ambition 1110 series are characterized by outstanding flexibility and intuitive operation.

All the machines are equipped with a precise gluing section and an automatic fixed length magazine for reliable material infeed. The magazine can be used for coil and fixed length material. The two-motor snipping unit guarantees a precise cut and optimum results. The flush trimming tool is simple to operate and can be reset with a quick, simple movement to the three different settings flush, chamfer or radius.

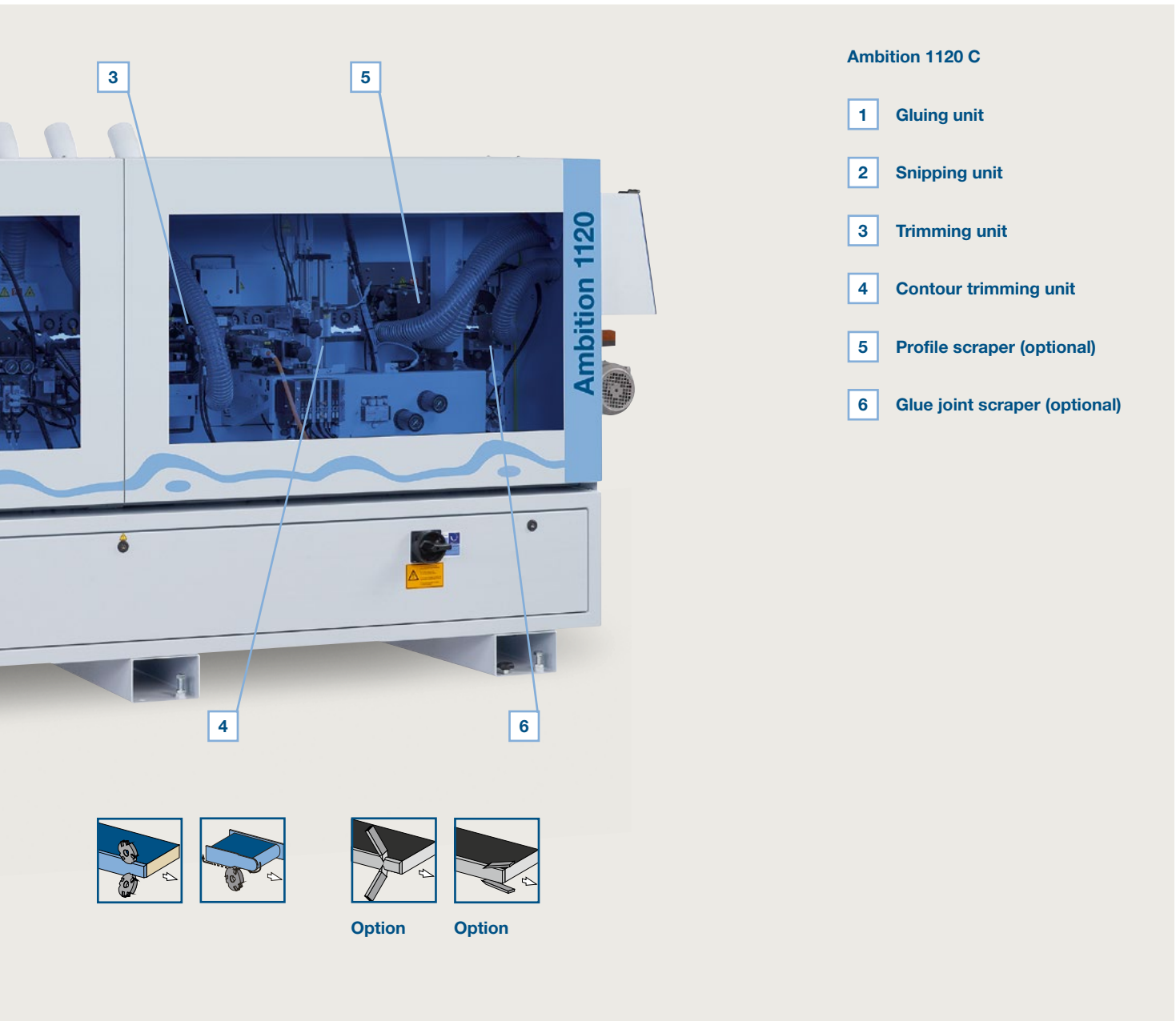
The Ambition 1120 FC models include a profile trimming unit and a jointing trimming unit to guarantee complete processing.

The highlight of these machines is the finishing section, which offers 2 free slots for outstanding flexibility.

The 3 units available here (profile scraper blade, glue joint scraper blade and buffing unit) can be positioned in varying combinations on the 2 free slots as requested by the customer ex works.

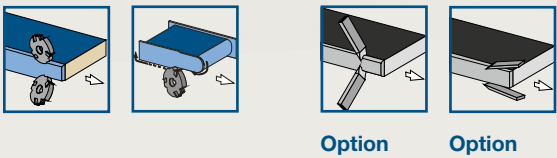
One exception to this is the Ambition 1120 F machine, which comes ex works without profile trimming tool, creating space for all three finishing units.

**Feed rate: 8 m/min**



**Ambition 1120 C**

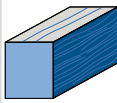
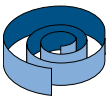
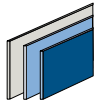
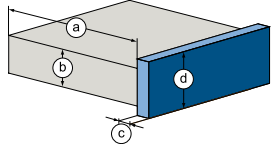
- 1** Gluing unit
- 2** Snipping unit
- 3** Trimming unit
- 4** Contour trimming unit
- 5** Profile scraper (optional)
- 6** Glue joint scraper (optional)



**Ambition 1120 FC**  
 This model contains the same equipment as the Ambition 1120 C, with the addition of a joint trimming unit.

## MATERIAL TYPES

- 0.4-mm melamine
- 2-mm ABS
- Veneer (roll)
- Nesting option

	SOLID (mm)	COIL (mm)	STRIPS (mm)
			
<b>a</b>	for b = 22: min. 70 for b = 40: min. 125		
<b>b</b>	8–50 (opt. 60)		
<b>c</b>	0.4–3.0 (opt. 6.0)	0.4–3.0	0.4–3.0
<b>d</b>	55 (opt. 65)		
			



## Ambition 1210 and Ambition 1210 F

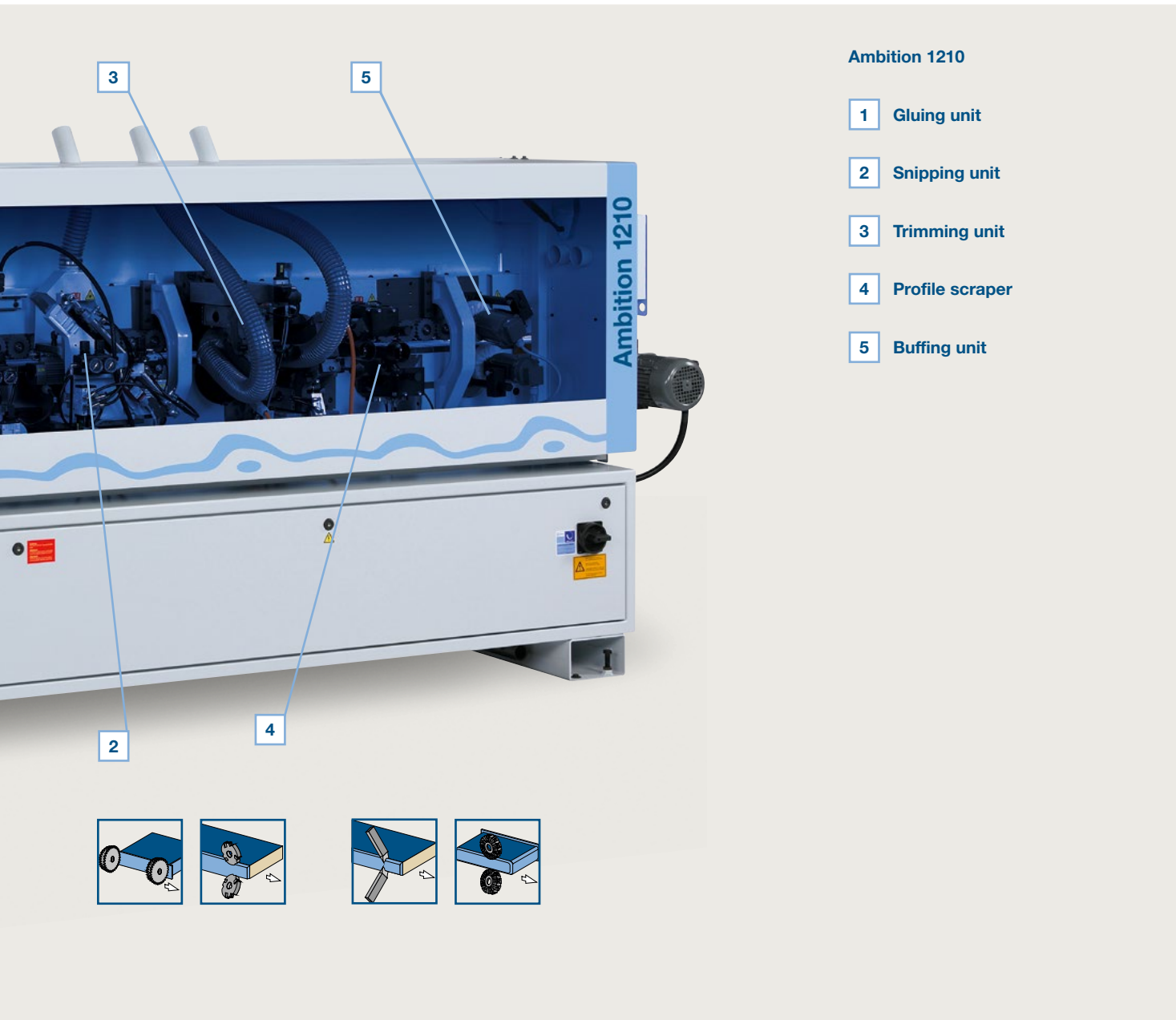
The two machines are equipped with a precise gluing section, a swivel-action two-motor snipping unit for straight and chamfer snipping, as well as a trimming unit.

For optimum workpiece preparation, a jointing trimming unit (Ambition 1210 F) is additionally available.

A profile scraper blade and the buffing unit ensure the perfect finish.

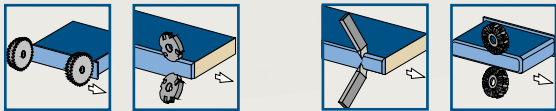
**Feed rate: 11 m/min**





**Ambition 1210**

- 1 Gluing unit
- 2 Snipping unit
- 3 Trimming unit
- 4 Profile scraper
- 5 Buffing unit

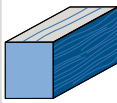
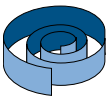
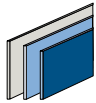
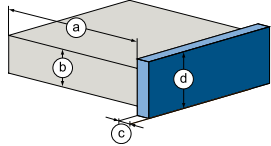


**Ambition 1210 F**

This model contains the same equipment as the Ambition 1210, with the addition of a joint trimming unit.

**MATERIAL TYPES**

- 0.4-mm melamine
- 2-mm ABS
- Veneer (roll)
- 3-mm solid wood strip (6-mm option)
- Nesting option

	SOLID (mm)	COIL (mm)	STRIPS (mm)
			
<b>a</b>	for b = 22: min. 70 for b = 40: min. 125		
<b>b</b>	8-50 (opt. 60)		
<b>c</b>	0.4-3.0 (opt. 6.0)	0.4-3.0	0.4-3.0
<b>d</b>	55 (opt. 65)		
			



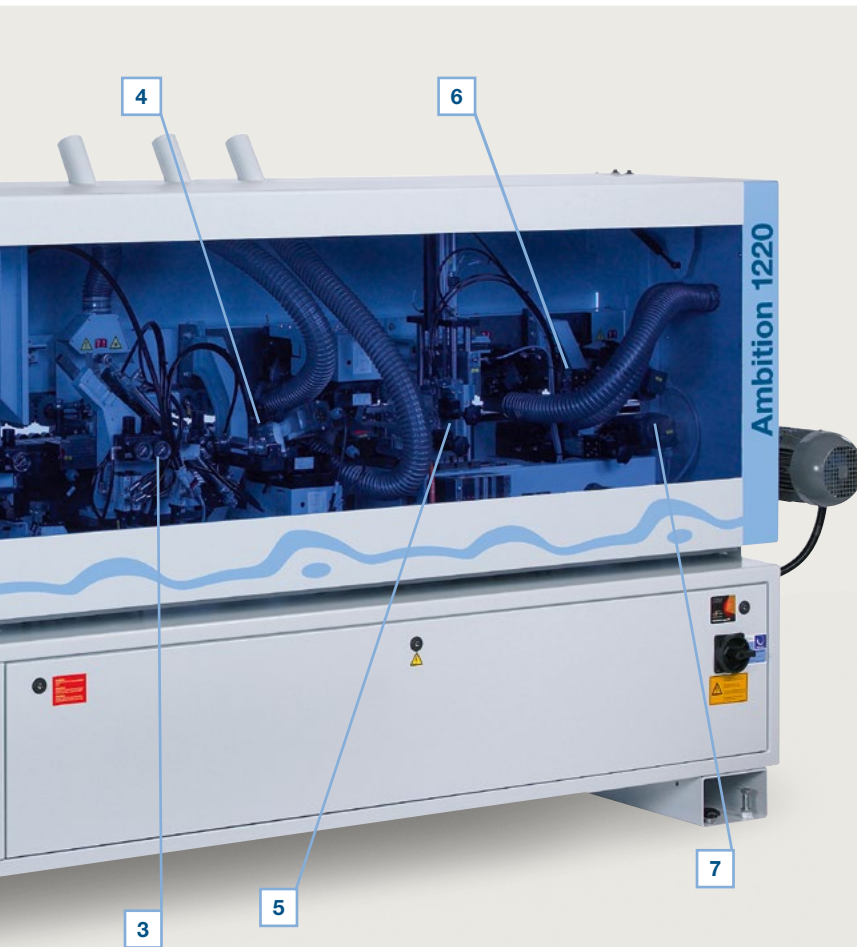
## Ambition 1220 C, Ambition 1220 FC and Ambition 1230 FC

In developing the Ambition 1200 series, the focus was on providing the complete processing capability previously reserved to the higher machine categories also at the entry level.

All the machines are equipped with a precise gluing section, a swivel-action two-motor snipping unit for straight and chamfer snipping, as well as a trimming unit.

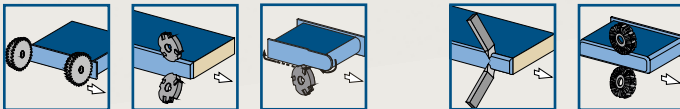
For complete processing, a jointing trimming unit (apart from Ambition 1220 C), a profile trimming unit, a radius scraper blade and a buffing unit are available for the perfect finish. The Ambition 1230 FC additionally offers a slot in the finishing section for a glue joint scraper blade.

**Feed rate: 11 m/min**



**Ambition 1220 FC**

- 1 Joint trimming unit
- 2 Gluing unit
- 3 Snipping unit
- 4 Trimming unit
- 5 Contour trimming unit
- 6 Profile scraper
- 7 Buffing unit



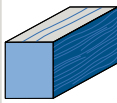
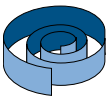
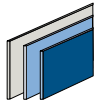
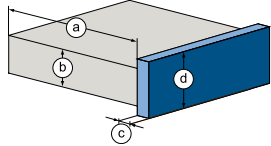
**Ambition 1230 FC**

This model contains the same equipment as the Ambition 1220 FC, with the addition of an empty slot in the finishing area.

**MATERIAL TYPES**

- 0.4-mm melamine
- 2-mm ABS
- Veneer (roll)
- 3-mm solid wood strip (6-mm option)
- Nesting option



	SOLID (mm)	COIL (mm)	STRIPS (mm)
			
<b>a</b>	for b = 22: min. 70 for b = 40: min. 125		
<b>b</b>	60		
<b>c</b>	0.4-6.0	0.4-3.0	0.4-3.0
<b>d</b>	65		
			



## Highflex 1210, Highflex 1220 and Highflex 1230

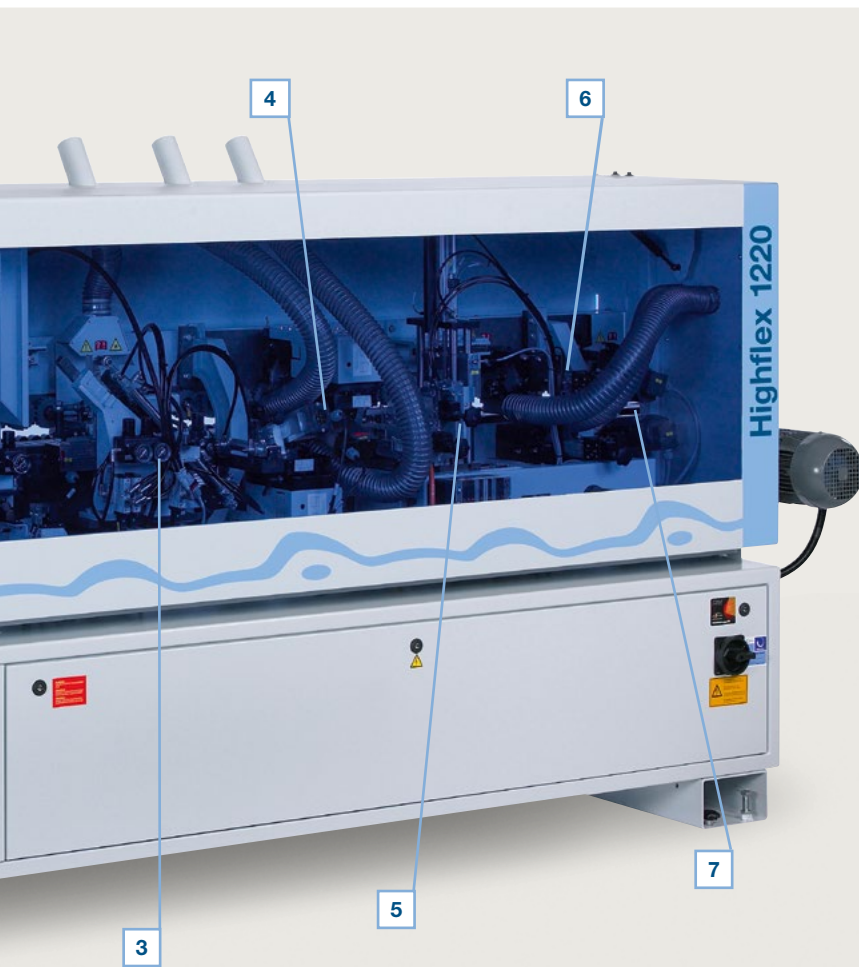
All the machines are equipped with a precise gluing section, a swivel-action two-motor snipping unit for straight and chamfer snipping, as well as a trimming unit.

For complete processing, a jointing trimming unit, a profile trimming unit, a radius scraper blade and a buffing unit are available for the perfect finish. The Highflex 1230 additionally offers a slot in the finishing section for a glue joint scraper blade. One exception is the machine Highflex 1210.

This comes ex works without profile trimming tool, creating space for all three finishing units.

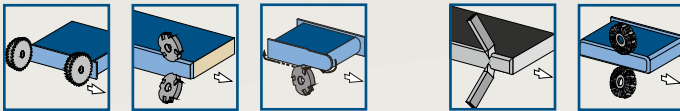
The Highflex series is characterized by its high level of automation and a comprehensive range of processing units. The high degree of flexibility enables adjustment to your specific needs and guarantees optimum edges.

**Feed rate: 11 m/min**



### Highflex 1220

- 1** Joint trimming unit
- 2** Gluing unit
- 3** Snipping unit
- 4** Trimming unit
- 5** Contour trimming unit
- 6** Profile scraper (optional)
- 7** Buffing unit



Option

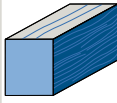
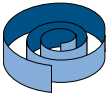
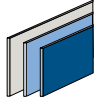
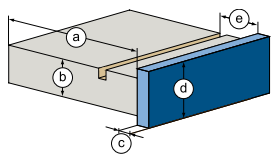


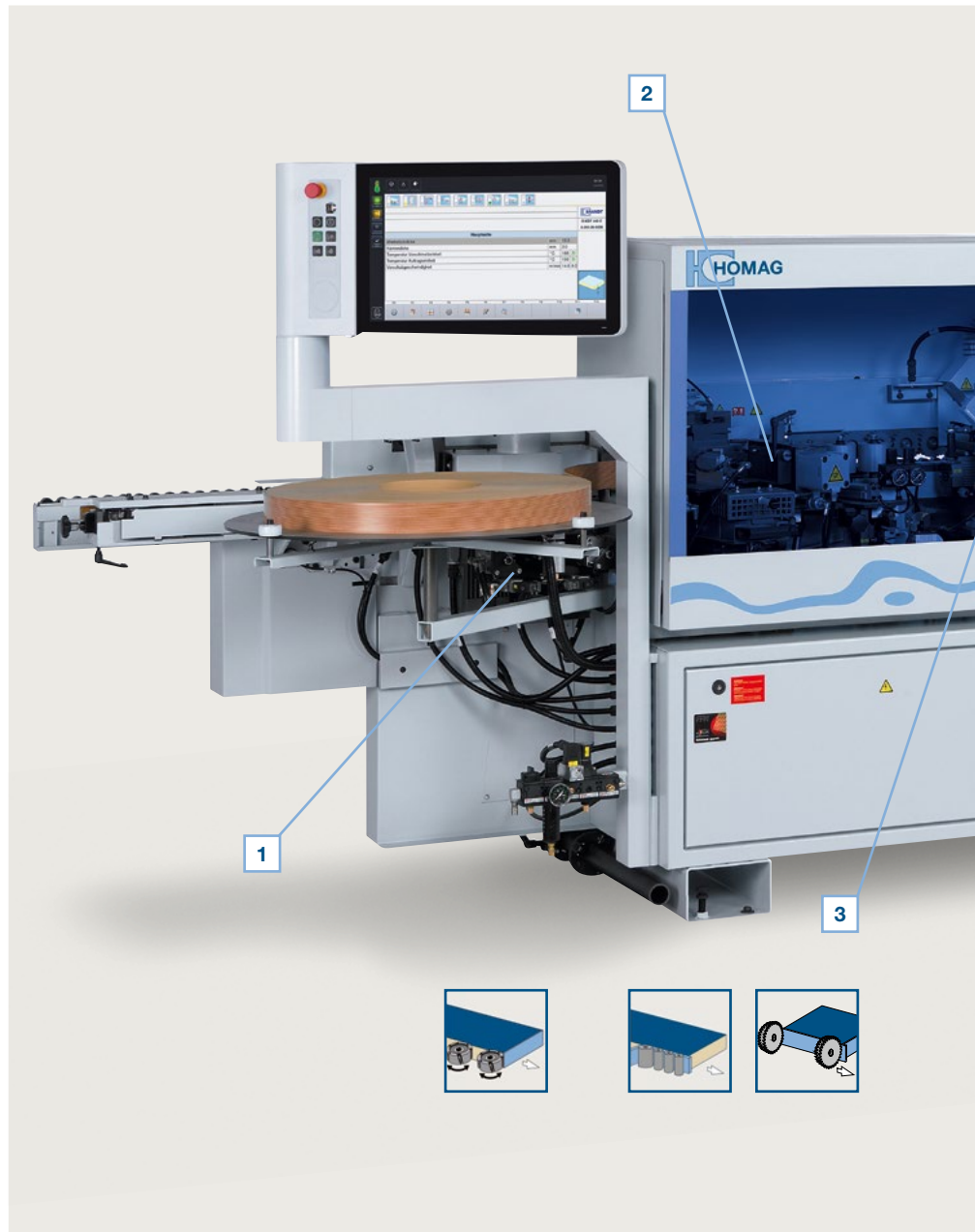
### Highflex 1230

This model contains the same equipment as the Highflex 1220, with the addition of a glue joint scraper.

## MATERIAL TYPES

- 0.4-mm melamine
- 2-mm ABS
- Veneer (roll)
- 6-mm solid wood strip
- Nesting option

	SOLID (mm)	COIL (mm)	STRIPS (mm)
			
<b>a</b>	for b = 22: min. 70 for b = 40: min. 125		
<b>b</b>	8-60		
<b>c</b>	0.4-8	0.4-3.0	0.4-3.0
<b>d</b>	65		
<b>e</b>	max. 30 (only Ambition 1440 FGC)		
			



## Ambition 1430 FC, Ambition 1440 FC and Ambition 1440 FGC

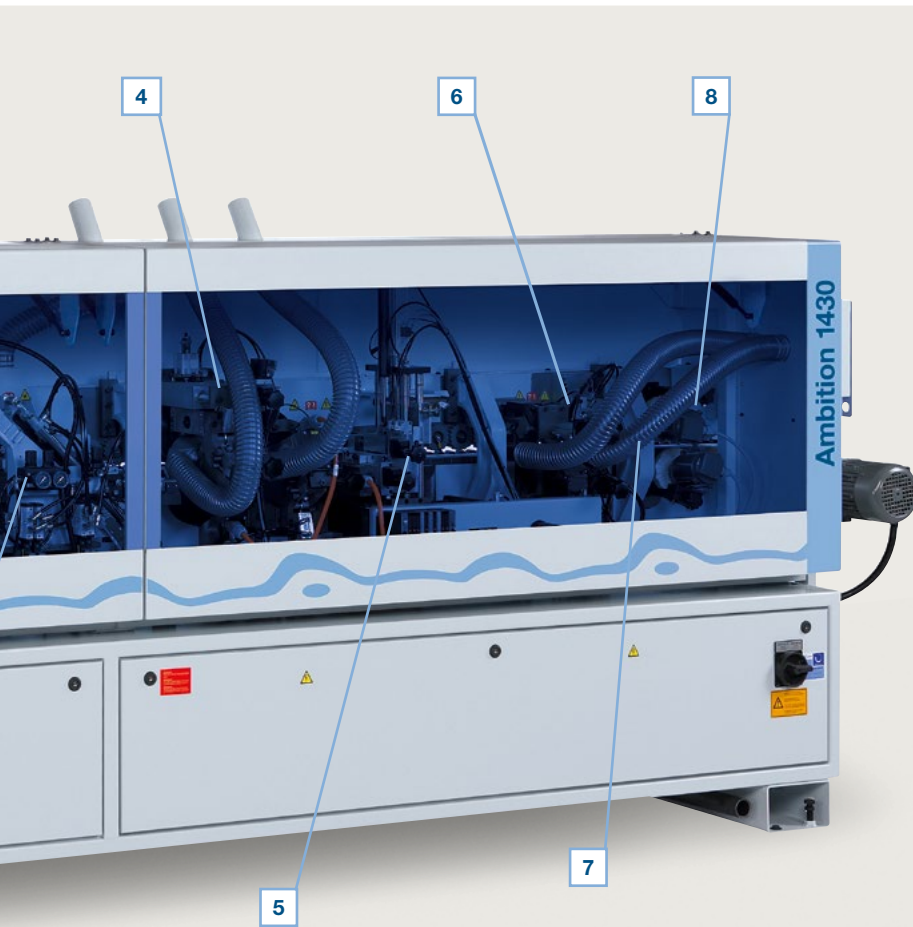
For woodworking shops and small or medium-sized enterprises, the Ambition 1400er series secures competitive benefits in the long term.

In the basic version, the machines come equipped with a precise gluing section, a 2-motor snipping unit, a trimming tool, a radius scraper blade and a buffing unit. Depending on the requirements, the machine can be equipped with a jointing trimming unit, a Quickmelt gluing section for even more

effective production, a rough trimming unit for heavy hogging operations, a profile trimming unit for corner rounding, a groove trimming unit and a glue joint scraper blade. The optionally available machine automation packages reduce set-up times and offer a high level of operating convenience.

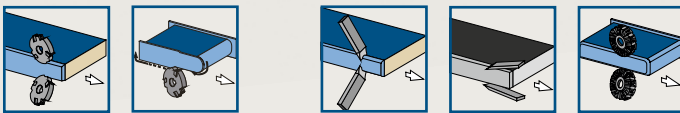
**Feed rate: 11 m/min**





**Ambition 1430 FC**

- 1** Joint trimming unit
- 2** Gluing unit
- 3** Snipping unit
- 4** Trimming unit
- 5** Contour trimming unit
- 6** Profile scraper
- 7** Glue joint scraper (optional)
- 8** Buffing unit



**Option**

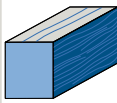
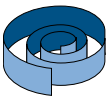
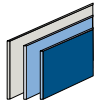
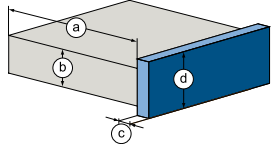


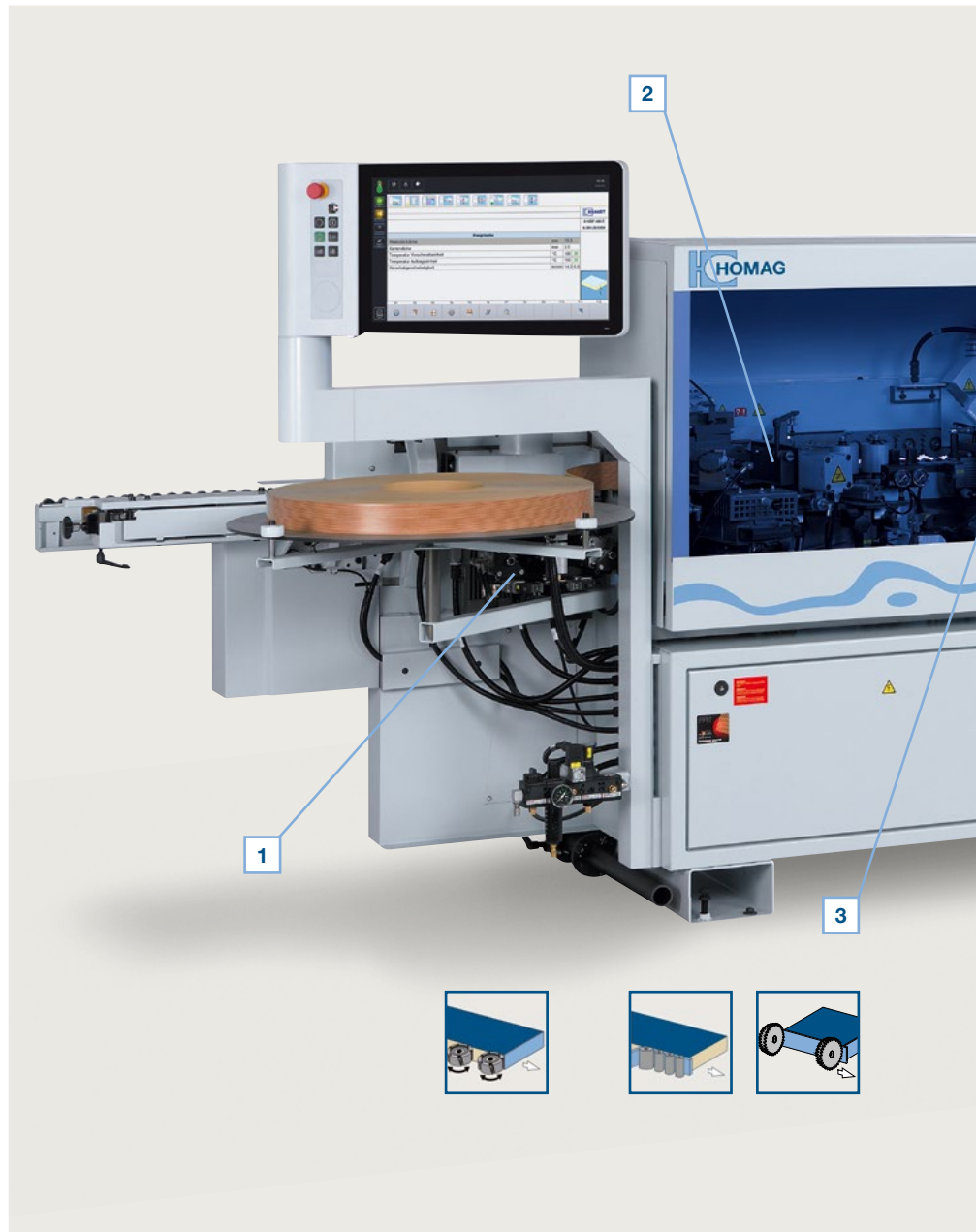
**Ambition 1440 FGC**

This model contains the same equipment as the Ambition 1430 FC, with the addition of a grooving unit.

**MATERIAL TYPES**

- 0.4-mm melamine
- 2-mm ABS
- Veneer (roll)
- 8-mm solid wood strip
- High gloss option
- Nesting option

	SOLID (mm)	COIL (mm)	STRIPS (mm)
			
<b>a</b>	for b = 22: min. 70 for b = 40: min. 125		
<b>b</b>	8-60		
<b>c</b>	0.4-8.0	0.4-3.0	0.4-3.0
<b>d</b>	65		
			

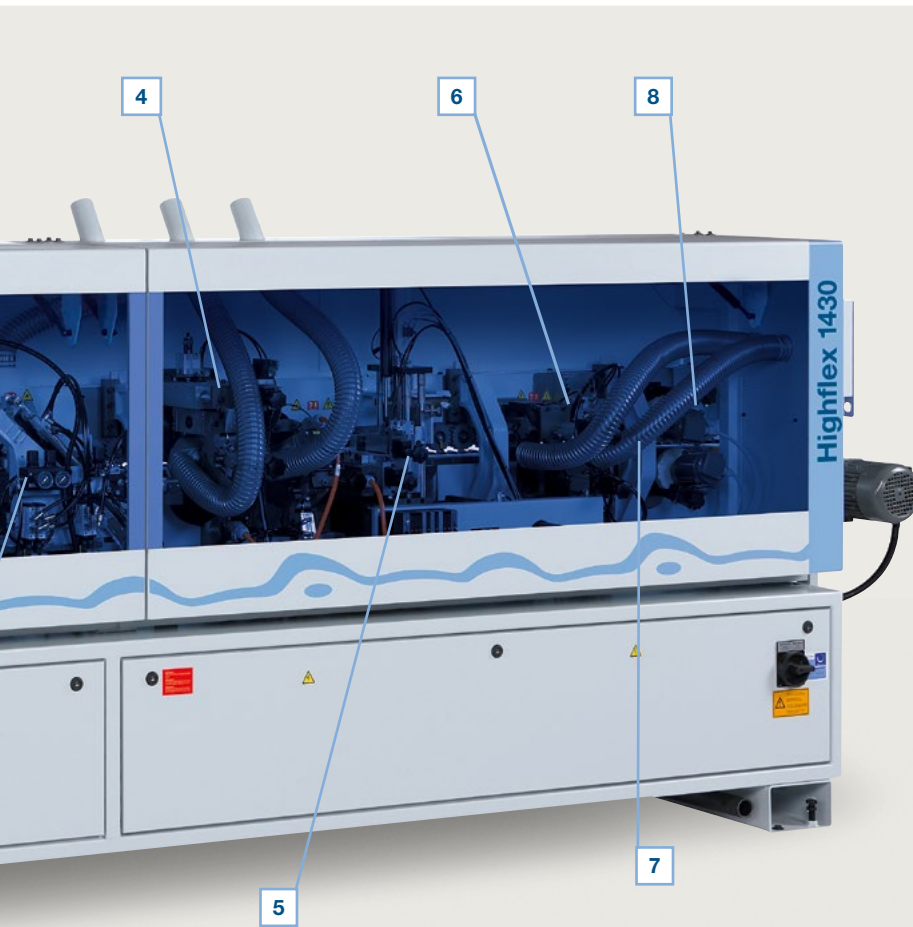


## Highflex 1430 and Highflex 1440

All the machines are equipped with a precise Quickmelt gluing section, a swivel-action two-motor snipping unit for straight and chamfer snipping, as well as a trimming unit. For complete processing, a jointing trimming unit, a profile trimming unit, a radius scraper blade, a glue joint scraper blade and a buffing unit are available for the perfect finish.

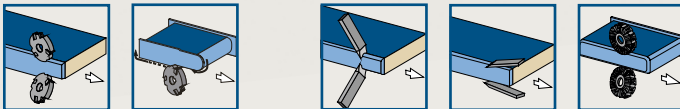
The Highflex series is characterized by its high level of automation and a comprehensive range of processing units. The high degree of flexibility enables adjustment to your specific needs and guarantees optimum edges.

**Feed rate: 8–14 m/min**



**Highflex 1430**

- 1** Joint trimming unit
- 2** Gluing unit
- 3** Snipping unit
- 4** Trimming unit
- 5** Contour trimming unit
- 6** Profile scraper
- 7** Glue joint scraper
- 8** Buffing unit

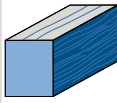
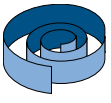
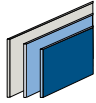
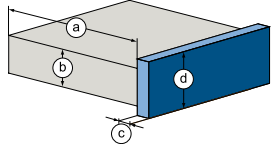


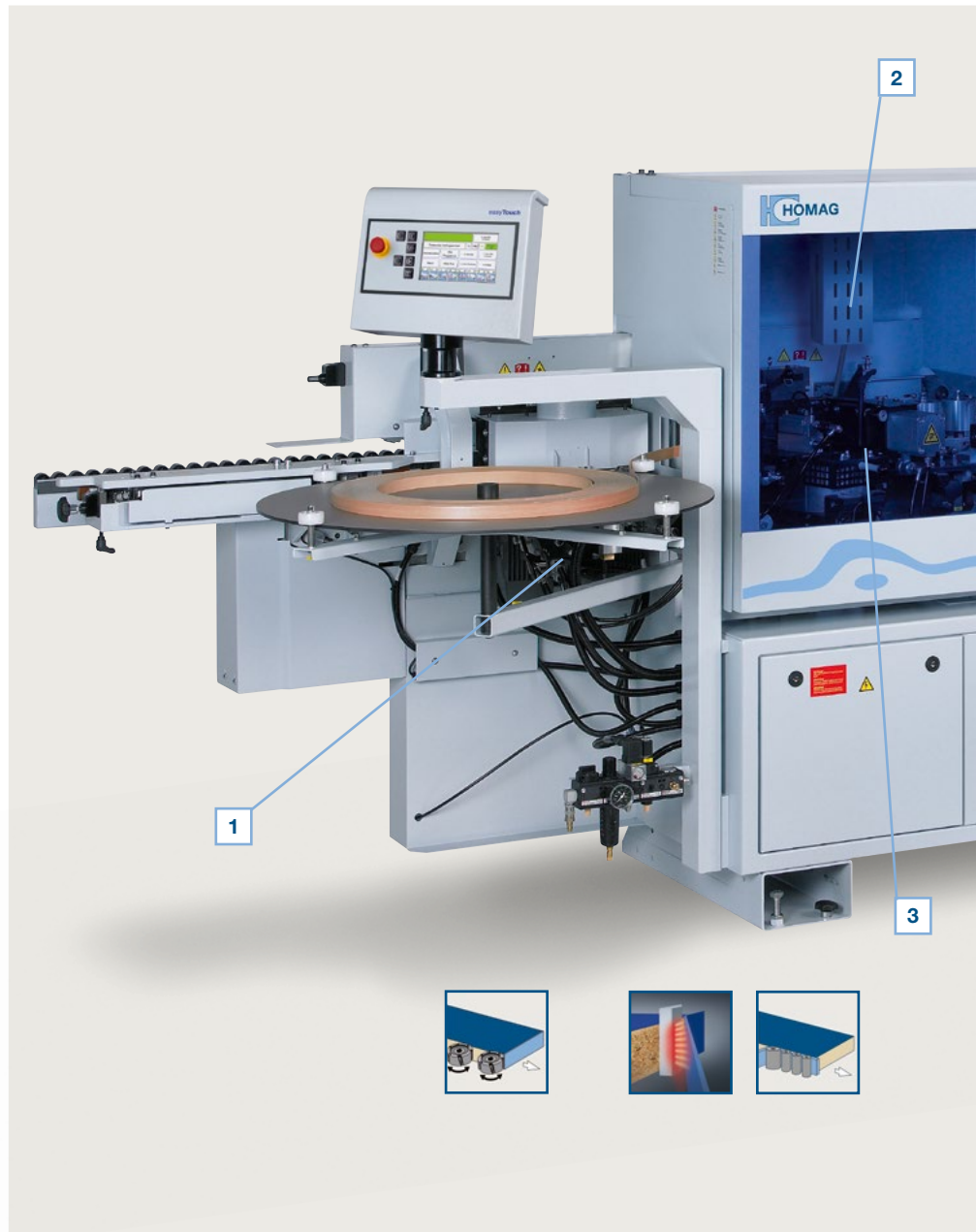
**Highflex 1440**

This model contains the same equipment as the Highflex 1430, with the addition of a dual-motor profile trimming unit as an alternative.

**MATERIAL TYPES**

- 0.4-mm melamine
- 2-mm ABS
- Veneer (roll)
- 8-mm solid wood strip
- High gloss option
- Nesting option

	SOLID (mm)	COIL (mm)	STRIPS (mm)
			
<b>a</b>	for b = 22: min. 70 for b = 40: min. 125		
<b>b</b>	8–60 8–40 (for airTec)		
<b>c</b>	0.4–3.0 (1200) 0.4–8.0 (1400)	0.4–3.0	0.4–3.0
<b>d</b>	65 45 (for airTec)		
			



## Ambition 1220 airTec, Ambition 1230 airTec and Ambition 1440 airTec

For joiners with high-end requirements, the Ambition airTec models are ideal machines. They provide the optimum solution wherever an optimum zero joint or other edge processing operations are required. The nerve center of these machines is the gluing section, which alongside the airTec activating unit also acts as a dual solution, guaranteeing outstanding flexibility.

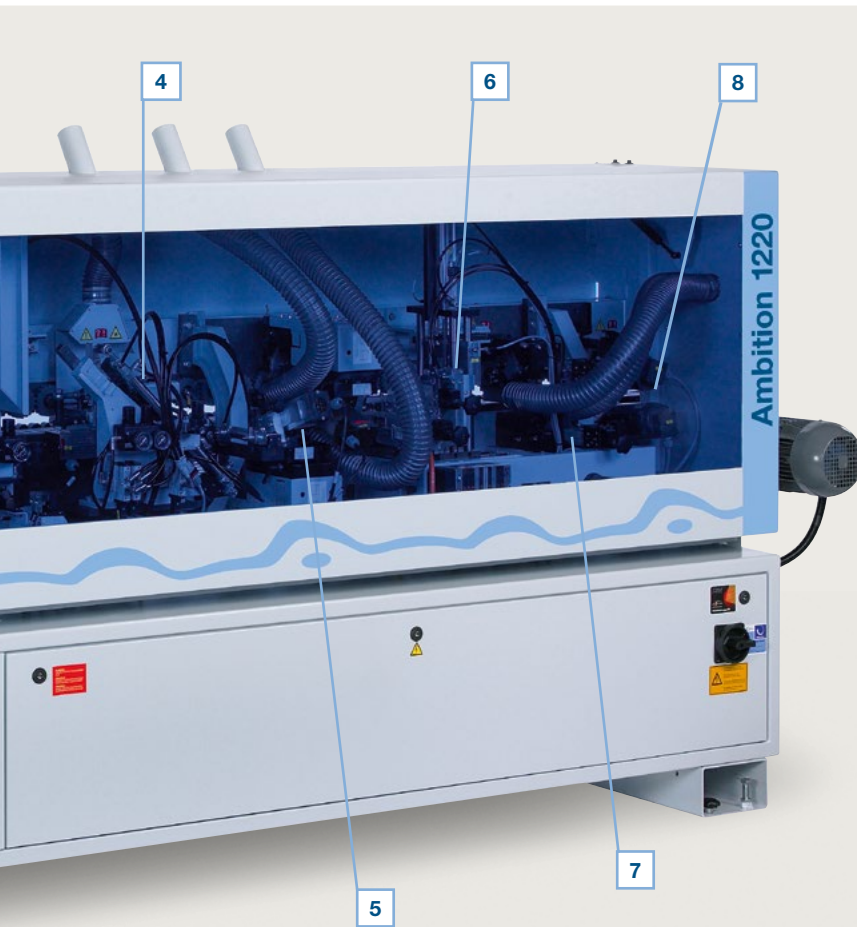
Alongside the magazine, all airTec machines are equipped

with a jointing trimming unit, a two-motor snipping unit, a trimming tool and a profile trimming unit. A radius scraper blade, a glue joint scraper blade and a buffing unit ensure a perfect finish.

The airTec models are characterized by their high level of automation and a comprehensive range of processing units.

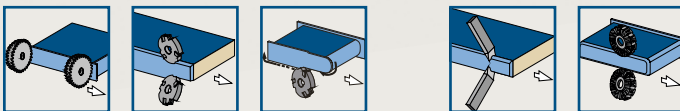
**Feed rate: 8–11 m/min**





**Ambition 1220 airTec**

- 1** Joint trimming unit
- 2** airTec activation unit
- 3** Gluing unit
- 4** Snipping unit
- 5** Trimming unit
- 6** Contour trimming unit
- 7** Profile scraper
- 8** Buffing unit

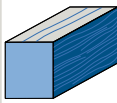
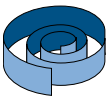
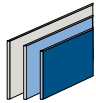
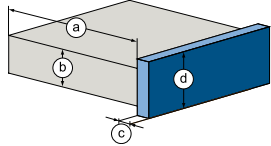


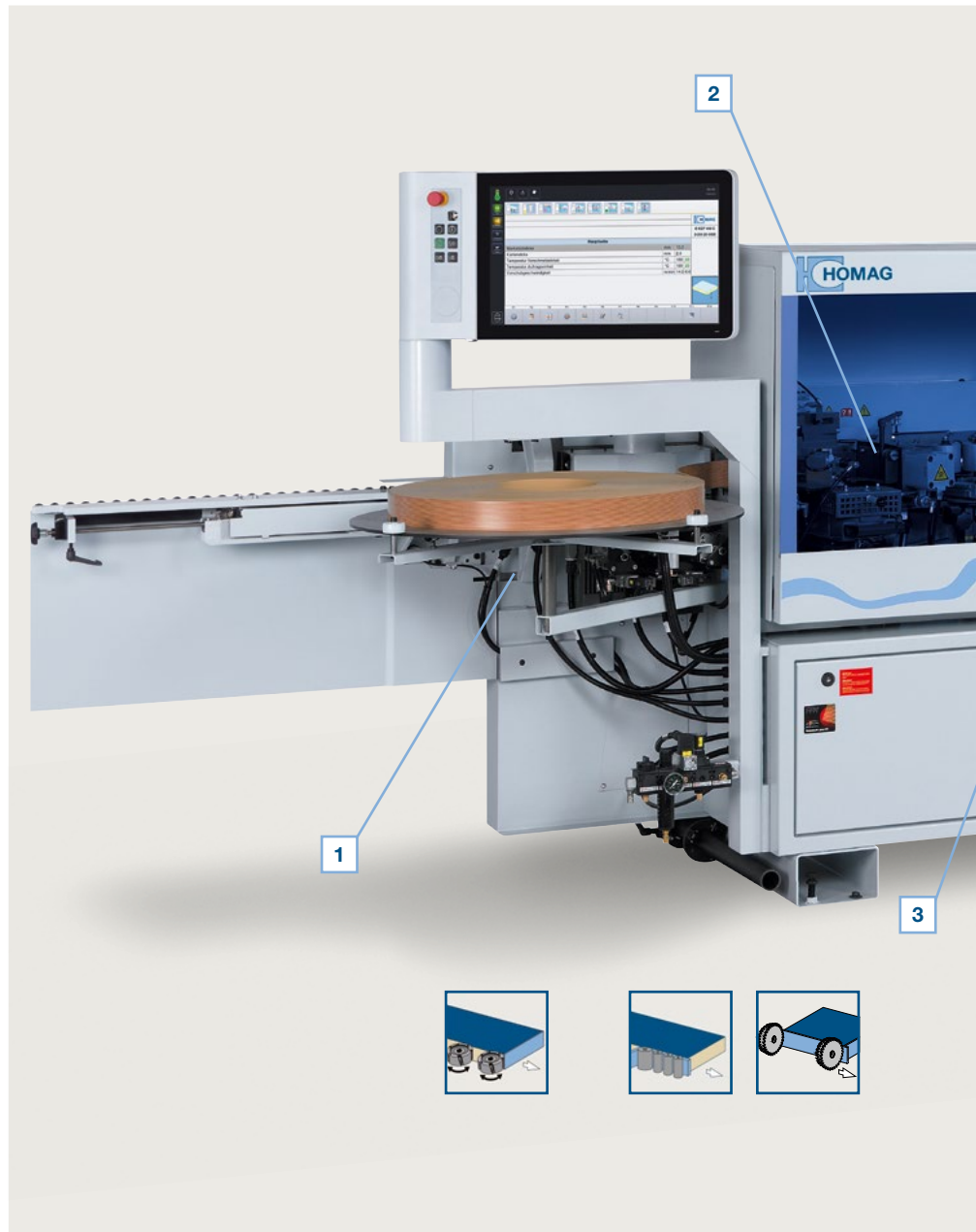
**1440 airTec**

This model contains the same equipment as the Ambition 1220 airTec, with the addition of a dual-motor profile trimming unit as an alternative.

**MATERIAL TYPES**

- 0.4-mm melamine
- 2-mm ABS
- Veneer (roll)
- 3–8-mm solid wood strip
- Nesting option

	SOLID (mm)	COIL (mm)	STRIPS (mm)
			
<b>a</b>	for b = 22: min. 70 for b = 40: min. 125		
<b>b</b>	8–60		
<b>c</b>	0.4–8.0	0.4–3.0	0.4–3.0
<b>d</b>	65		
			



## KDF 440 edition

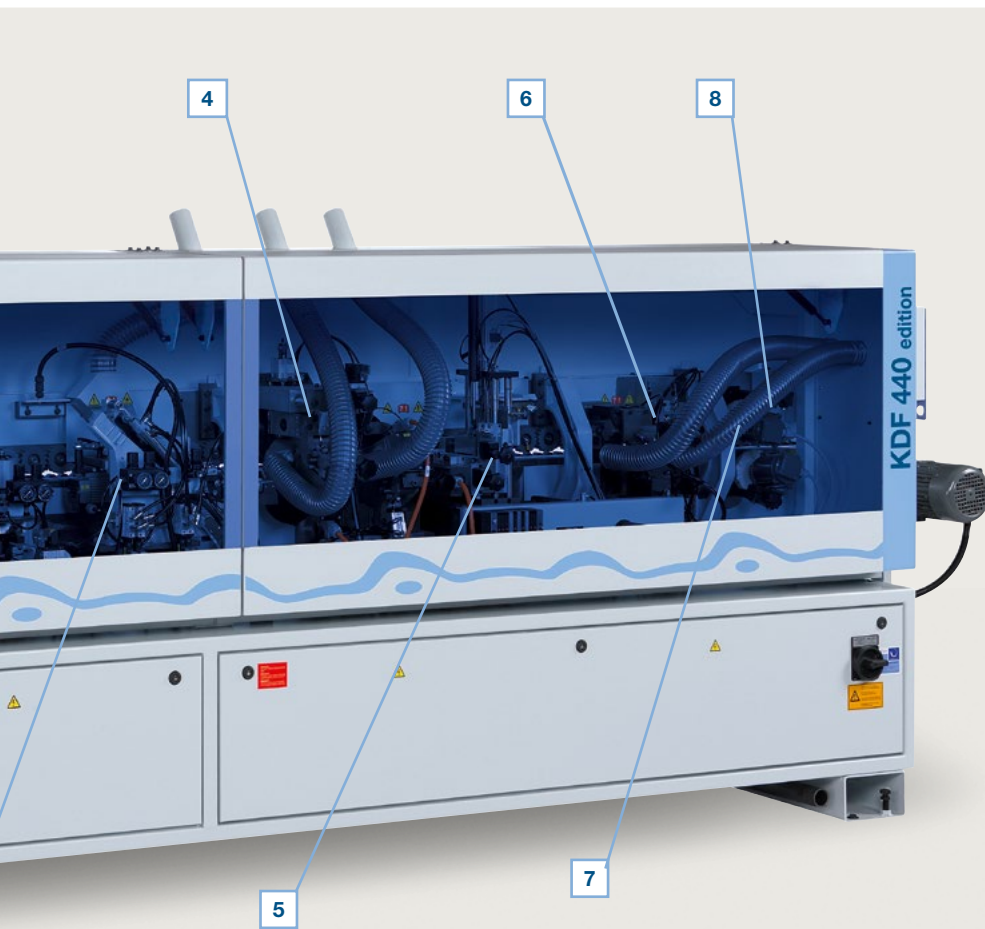
Even in their basic equipment configuration, the KDF 440 edition models offer a high level of automation and simple processing of several radii as standard.

The basic versions are equipped with a jointing trimming unit, a precise Quickmelt gluing section, a two-motor snipping unit, a multi-stage trimming tool and a profile trimming unit. A multi-stage scraper blade, a glue joint scraper blade and a buffing unit ensure a perfect finish.

The edition models are characterized by their high level of automation.

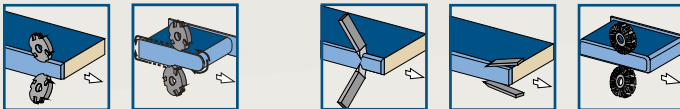
The multi-stage trimming unit and multi-stage scraper blade provide the optimum radius and consequently the very best results for frequently changing applications.

**Feed rate: 8–14 m/min**



**KDF 440 edition**

- 1** Joint trimming unit
- 2** Gluing unit
- 3** Snipping unit
- 4** Multi-level trimming unit
- 5** Contour trimming unit
- 6** Multi-level scraper
- 7** Glue joint scraper
- 8** Buffing unit



## MATERIAL TYPES

- 0.4-mm melamine
- 2-mm ABS
- Veneer (roll)
- 8-mm solid wood strip
- High gloss
- Nesting option



## powerTouch — The new dimension of machine control units

**powerTouch represents the operating philosophy of HOMAG: standardized, simple, ergonomic, and evolutionary. The innovative touchscreen operating**

**concept combines design and function in a completely new generation of control systems. With Ambition 1400.**

At the heart of the concept is a large, widescreen multitouch monitor that allows machine functions to be controlled directly by touch.

The entire programming interface is optimized for powerTouch operation and offers numerous new help and assistant functions that make working processes substantially easier.

Standardized operating elements and software modules ensure that all HOMAG edge banding machines from Ambition 1400 can be operated in the same way using this new concept. They differ only in a few machines-specific details.

This not only simplifies operating different machines, but also makes for greater efficiency by significantly reducing the time spent on training and service.



### **Teleservice reduces on-site service visits**

- Reduction in service costs
- Avoids unplanned machine downtimes
- Targeted planning for service visits and spare parts delivery
- Support for maintenance and operating personnel

### **THE BENEFITS:**

- 21" monitor with full HD resolution
- Quick overview of the machine status
- Easy, user-oriented navigation
- Guided path to production readiness through traffic light indicator
- New ergonomic design of the operating panel
- Intuitive, natural touch operation on the machine
- Use of gestures, e.g. scrolling, swiping





## easyTouch — Simple touches with effective results

The easyTouch control system embodies a new generation of operating systems. The touchscreen surface guarantees fast navigation

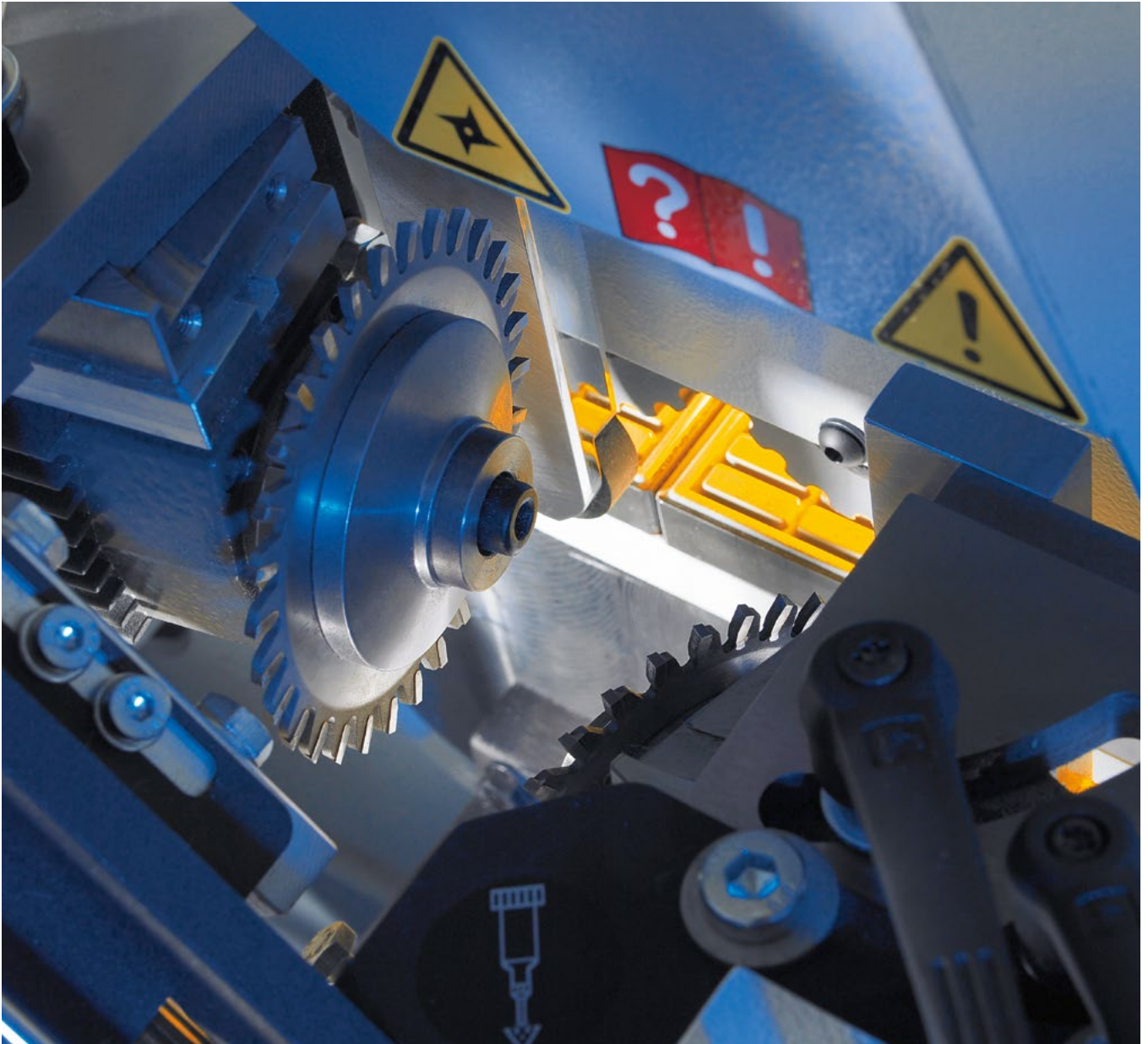
combined with a high level of operating comfort. With Ambition 1100–1200.

### THE BENEFITS:

- Clear 7" graphic display provides optimum control via touching the control panel directly
- 20 storable programs guarantee flexibility when processing a wide variety of edge materials and changing customer requirements
- Production readiness displayed by traffic light indicator
- Ability to adjust units quickly thanks to direct access via ctrl keys
- Intuitive, user-oriented navigation
- Clear overview of the help and assistant functions, including the glue pot temperature or troubleshooting in plain text

Betriebsdatenerfassung		1. 2mm ABS	
Stunden Gesamt	h	1274:00:00	X
Werkstücke Gesamt	Stück	446842	
Kantenlänge Gesamt	m	284921	
Stunden	h	0:45:00	Reset
Werkstücke	Stück	280	Reset
Kantenlänge	m	233.50	Reset

Exact recording of operating hours per commission due to state-of-the-art operating data acquisition



## Our unit modules: The right solution, whatever the requirement

For wide-ranging and diverse processing tasks, we use units from our tried-and-tested unit modules. We are constantly expanding our functions so we can offer you the right solution for new trends. The following pages contain units from the

fields of joint trimming, gluing, cutting, trimming, grooving, and finishing. You benefit from a high level of precision and state-of-the-art technology, and the ability to produce your products flexibly and efficiently.

## Workpiece feeding

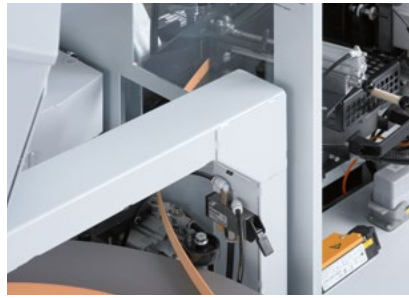
Workpieces need to be fed into machines precisely in order to achieve perfect edge quality. Take advantage of the benefits

our solutions have to offer, such as infeed guides, infeed blocks, sliding carriages or workpiece supports.



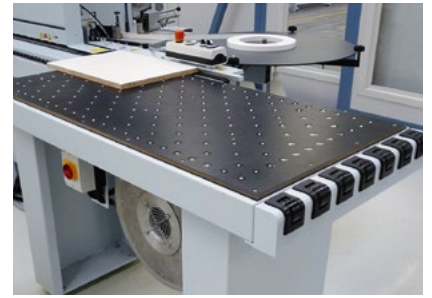
### **Infeed stop**

For minimal workpiece distance and safe operation.  
With Ambition 1400.



### **Insertion device (optional)**

Automatic edge infeed for quick edge changes between different rolls of material.  
With Ambition 1200–1400.



### **Air cushion table (optional)**

Air cushion table for safe loading of the machine.



### **Automatic infeed guide adjustment (optional)**

Program-controlled, precise and repeatedly accurate adjustment of the infeed guide via the servo axis.  
With Ambition 1400.



### **Sliding carriage (optional)**

Robust linear guide for feeding the workpieces at a right angle.  
With Ambition 1400.



### **V-belt top pressure unit (optional)**

Belt-type top pressure unit available as an option instead of the standard roller top roll pressure.  
With Ambition 1400.



## Sprayers

Separating agent spraying units optimally prepare your workpieces for gluing, as separating agents prevent hot-melt glue residue from sticking. The glue residue can be simply removed using cleaning spray. Lubricants prevent shiny

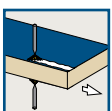
marks on the workpieces and protect sensitive surfaces before trimming. The spraying units thus achieve an optimum workpiece quality.



### **Spraying device**

Spraying agents for optimal processing results, even for sensitive surfaces.

With Ambition 1200–1400.





## Joint trimming units

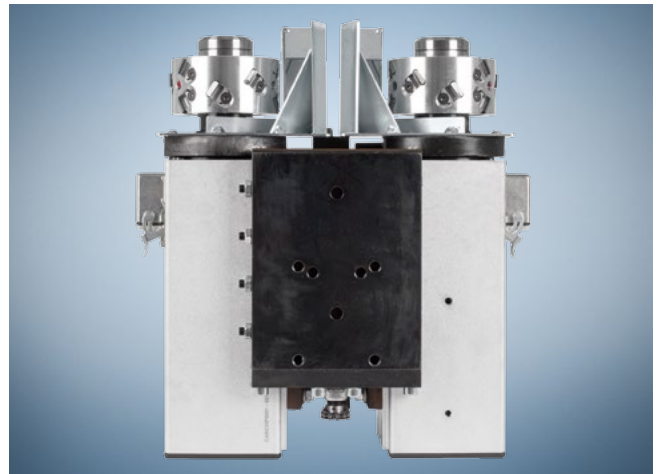
Our joint trimming units form the basis for precise, absolutely straight, and tear-free workpiece edges and glue joints with

consistently high product quality.



### Joint trimming unit

Diamond tools ensure perfect cutting and a long service life, as well as optimal glue joint quality. The diameter is 100 mm. With Ambition 1100.



### Joint trimming unit

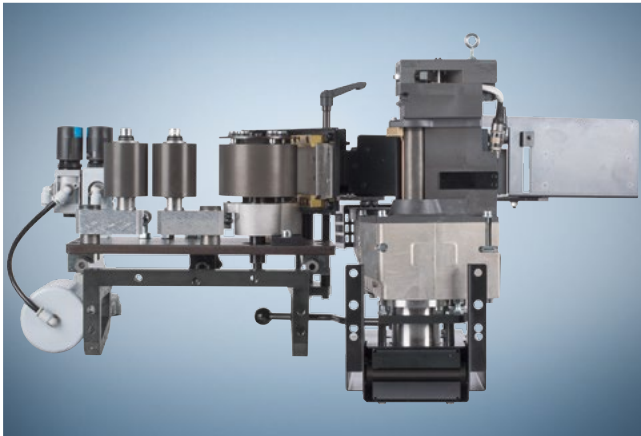
Diamond tools ensure perfect cutting and a long service life, as well as optimal glue joint quality. The diameter is 100 mm. With Ambition 1200–1400.



## Gluing units for safe hot-melt glue application

HOMAG gluing units are ideal for quick, solid gluing. The heated gluing roller ensures an optimal adhesive temperature. On request, the gluing unit can be equipped with a PU pre-

melting unit (from Ambition 1400) for a high level of availability and optimum gluing quality.



### Gluing unit – glue reservoir underneath roller

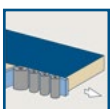
Quick-change application unit. Glue supply beneath gluing roller to prevent leaks. Can process PU granulate.

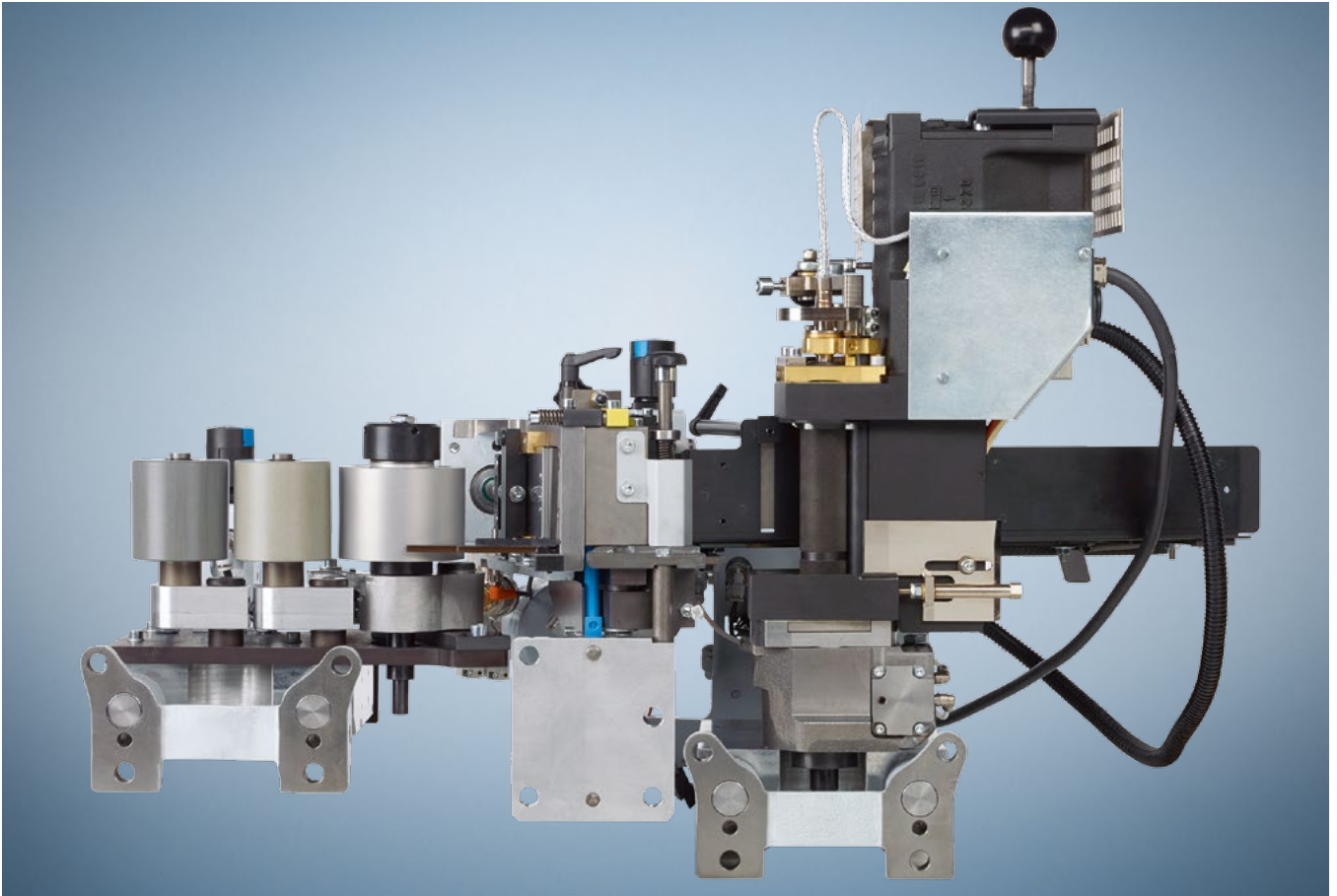
Top image: with Ambition 1100.

Bottom image: with Ambition 1210 – 1230 FC.

### YOUR BENEFITS AT A GLANCE.

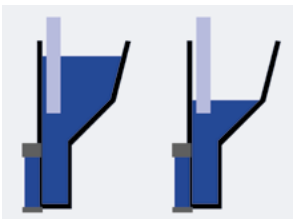
- Optimal glue application to narrow surfaces
- Glue application roller does not need to be changed for different workpiece thicknesses
- Gluing roller lifts when feed stops
- Gluing roller with integrated heating unit guarantees a constant temperature and viscosity for all workpiece thicknesses
- Electro-pneumatic clamping of the gluing roller and tank prevents glue contamination to the rear edge of the workpiece
- Tracing pad prevents wear to the application roller and ensures a constant glue film thickness
- The application unit can be easily removed thanks to the quick-release lock





### QA 65N glue application system – gravity fed

The application unit can be easily removed by means of a quick-change device with pneumatic interface.  
From Ambition 1220 airTec to Ambition 1400.



#### Sensor for checking the fill level of the application unit

Switching to a lower glue level guarantees a fast heat-up time for processing small batch sizes.

#### Service station (optional)

- retaining devices for 2 application units
- Preheating unit including temperature control and gluing roller drive
- Easy cleaning, filling and emptying of the application unit



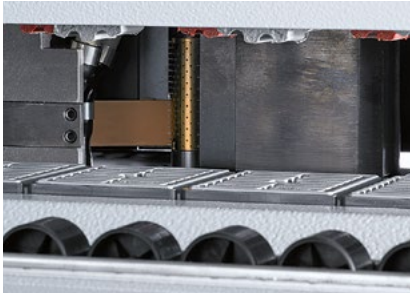
## YOUR BENEFITS AT A GLANCE – QA 65 N.

- Short heat-up time thanks to sensor-controlled level regulation (two levels can be selected)
- The application unit can be easily removed by means of a quick-release lock for melting hot-melt glue either automatically or manually
- Gluing roller with integrated heating unit guarantees a constant temperature and viscosity for all workpiece thicknesses
- Electro-pneumatic clamping of the gluing roller and tank prevents glue contamination to the rear edge of the workpiece
- Tracing pad prevents wear to the application roller and ensures a constant glue film thickness
- Gluing roller lifts when feed stops

## Systematic gluing

For solid gluing, it is crucial to achieve an optimum interplay of very different factors. On HOMAG machines, the workpiece

preheating, application unit, quick-release system, melting unit, magazine, and pressure zone are perfectly aligned.



### **Workpiece preheating with contact heating shoe**

High-strength gluing due to optimum workpiece preheating.  
With Ambition 1100.



### **Workpiece preheating with heaters**

High-strength gluing due to optimum workpiece preheating.  
With Ambition 1200–1400.



### **Pre-melting unit (optional)**

High degree of availability and optimum gluing quality thanks to the quick-melt gluing station. With Ambition 1400.



### **Ambition 1100 pressure zone**

Pressure zone up to an edge thickness of 3 mm and a panel height of 40 mm for optimum glue joint quality.



### **Ambition 1200–1400 pressure zone**

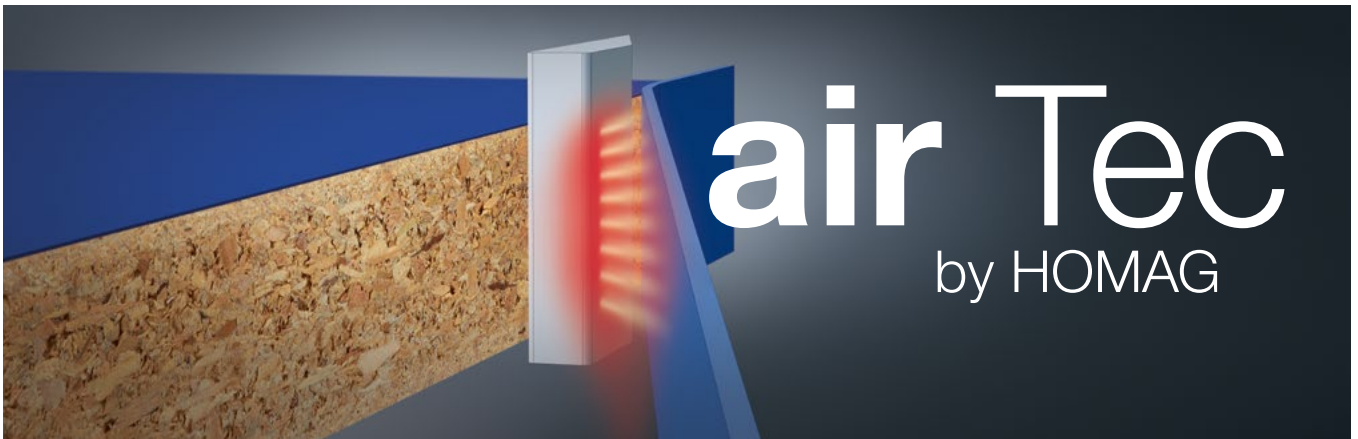
Heavy pressure zone up to an edge thickness of 3 mm and a panel height of 50 mm for optimum glue joint quality (optional: 6 mm edge thickness for 60 mm panel height).



### **Roller counter pressure**

Roller counter pressure for sensitive edge material.  
With Ambition 1100–1400.





## airTec — an ideal introduction to zero joint technology

The airTec process has established itself as the optimum zero-joint solution for trade and medium-sized companies. HOMAG's response to increases in demand is an innovative and more efficient airTec solution that ensures a more cost-effective use of resources. At the core of the new airTech unit

is a rotating fan heater, which provides increased efficiency and a significantly reduced noise output. All laser-compatible edging types that are currently available on the market can be processed with airTec. This means great flexibility for all materials and colors.



### Gluing edges "without joints"

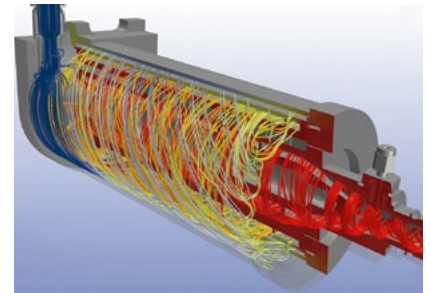
In the airTec process, the edge and panel are bonded using hot air. This requires the use of special edges. These consist of a decorative layer and a functional layer. Using the HOMAG airTec unit, the functional layer is melted at a constant temperature and volume outflow and optimally applied to the narrow surface.



### Easy integration

The airTech reactivation unit is installed in such a way that it is possible to work with either the standard application unit or the airTech system.

Image: Ambition 1200.



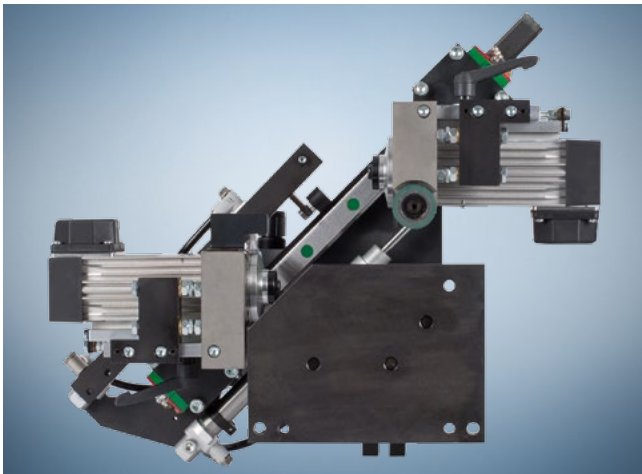
### Innovative rotation fan heater

This new source of energy heats the air and simultaneously serves as heat storage that can then be used to heat the air again. In addition, less air is required and the heating effect on the surrounding area is minimized. Any noise is almost exclusively produced during the activation process and is below the noise level of other processing units. With Ambition 1400.

## Snipping units for cutting the overhang on the front sides

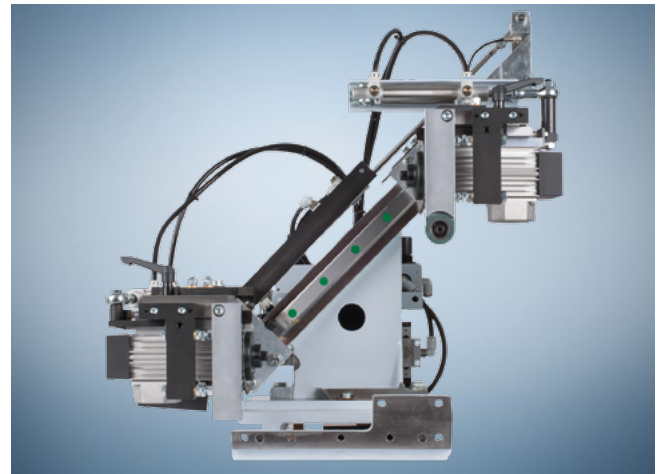
The snipping units prepare the workpieces for subsequent trimming perfectly. The front side can be snipped straight or

with a chamfer.



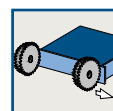
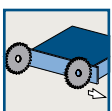
### Snipping unit

Exact snipping cut via a robust snipping unit with a highly precise linear guide.  
Ambition 1100.



### Snipping unit

Exact snipping cut via a robust snipping unit with a highly precise linear guide. Swivels to easily adjust for chamfer or straight snipping (optional: adjustment via pneumatics).  
Ambition 1200–1400.



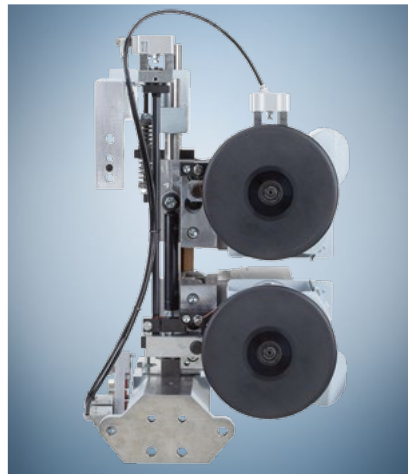
## Trimming units for flush milling

The pre-trimming and fine-milling units offer the perfect solutions for processing edge overhangs.

The trimming units are only equipped with tools that collect the chips in a controlled manner.



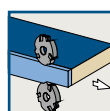
**Trimming unit**  
Trimming unit with DFC tool technology (Dust Flow Control) for optimal extraction. Ambition 1100–1200.



**Pre-milling**  
For pre-milling all standard edge types. Ambition 1400.



**Trimming unit**  
Flexibility for different edge thicknesses and profiles thanks to NC axes. Ambition 1400.



## Trimming with multi-stage technology

The range of edges and panel materials is continually growing and so is the demand for flexibility.

It is immaterial if edges are made from plastic, solid wood or veneer, or if workpieces have high-gloss surfaces.

The multi-level trimming unit always offers the optimum radius for frequently changing applications, and therefore the best results.

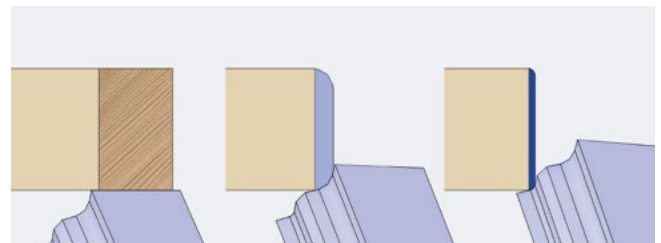


### **Multi-stage trimming unit MS 40/45**

Fully automatic changeover to three different profiles using servo motors\*.

Image shows nesting package.

Ambition 1400.



1. Plan

2. Profile 1

3. Profile 2

\* Servo motors: Servo drives consist of motors with a continuous adjustment. They impress thanks to a high positioning accuracy and are particularly suitable for small positioning distances.

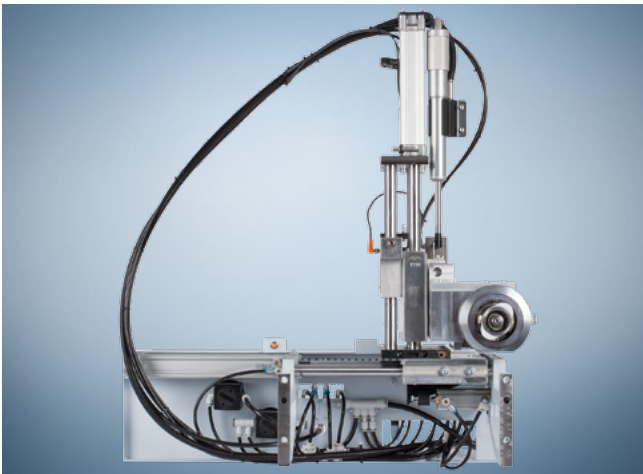




## Contour trimming units

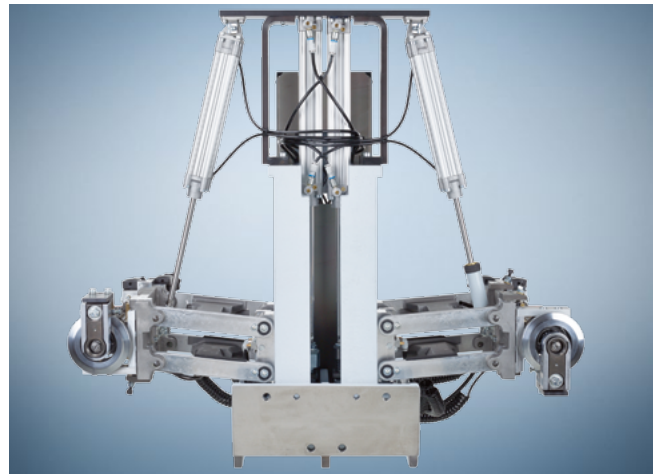
The profile trimming units are universal. As a user, you have the option to manually adjust the units or perform programming using the control system.

The design is then carried out up to a speed of 14 m/min.



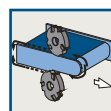
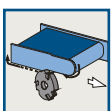
### FF 10 contour trimming unit

Optimum profile trimming without making adjustments thanks to linked DIA tool and tracing roller. Workpiece thickness 60 mm. Ambition 1100–1400.



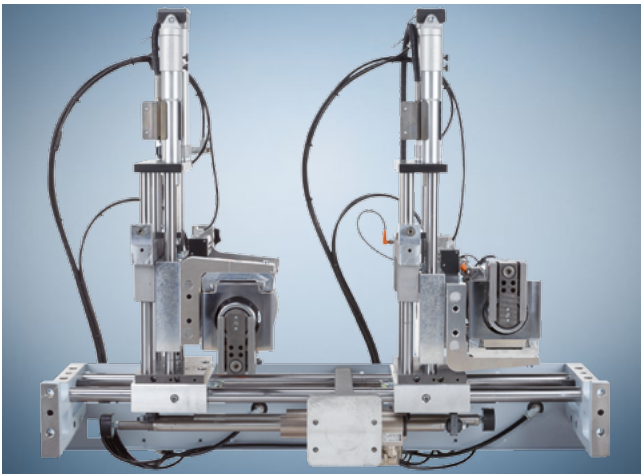
### FF 20 contour trimming unit

For rounding corners on thick PVC edges, as well as top edges on post-forming and soft-forming parts. Equipped with automatic adjustment between thin and thick edges. Workpiece thickness 60 mm. Ambition 1400.



## Grooving unit

A swiveling groove milling unit is available for grooving. If required, the workpiece underside and the front side can be grooved.

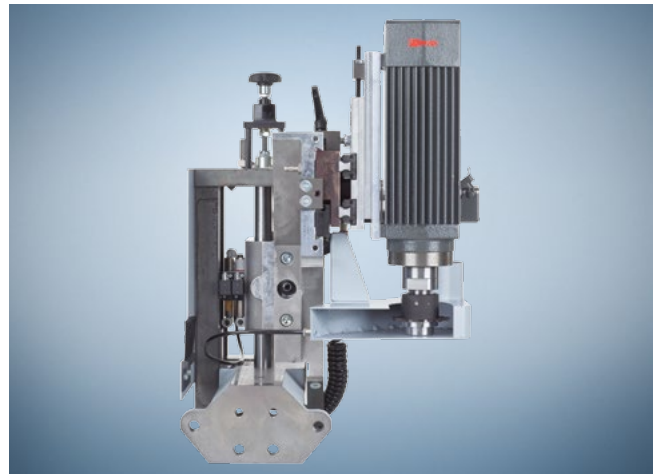
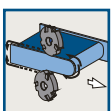


### MF 50 multi-functional trimming unit

For processing edge overhangs on the top and bottom edge of the workpiece and for copying the corners of the front and rear edge. Equipped with automatic adjustment between thin and thick edges. Workpiece thickness 60 mm. Ambition 1400.

### Can be automated

Automatic adjustment to two different radii possible.



### Grooving unit

A swiveling groove milling unit is available for grooving. If required, the workpiece underside and the front side can be grooved. Ambition 1440 FGC.



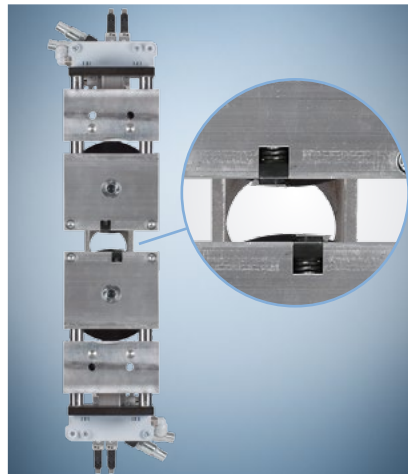
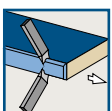
## Finishing units

With optimally aligned finishing units, HOMAG machinery ensures your products are of perfect quality.



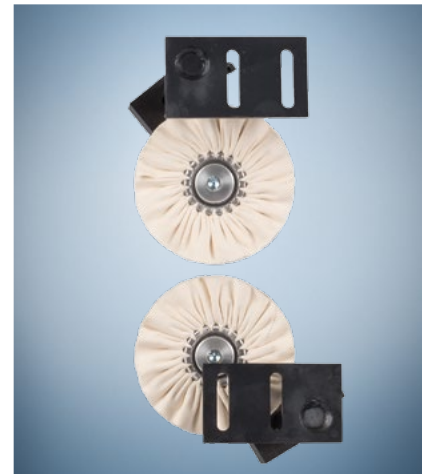
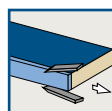
### Profile scraper unit

Unit for smoothing radii and chamfers. Equipped with changer heads to allow rapid profile changes.



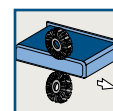
### Glue joint scraping unit

For the perfect finish.



### Buffing unit

For polishing edges for a natural color.

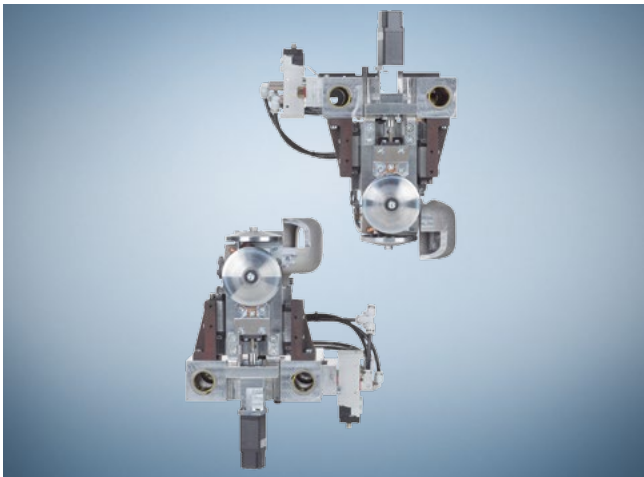


## Finish with multi-stage technology

The range of edges and panel materials is continually growing and so is the demand for flexibility.

It is immaterial if edges are made from plastic, solid wood or veneer, or if workpieces have high-gloss surfaces.

The multi-level scraper always offers the optimum radius for frequently changing applications, and therefore the best results.

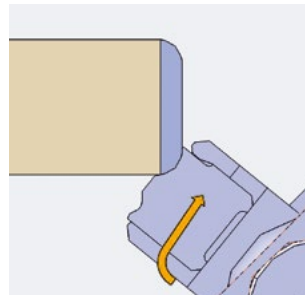


### Multi-stage scraper unit MZ 40

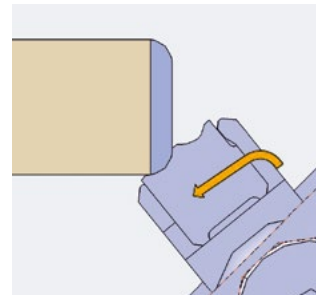
Fully automatic changeover to two different profiles using servo motors\*.

Ambition 1400.

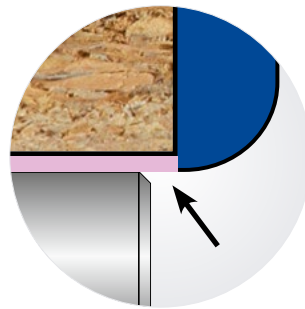
\* Servo motors: Servo drives consist of motors with a continuous adjustment. They impress thanks to a high positioning accuracy and are particularly suitable for small positioning distances.



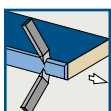
1. Profile 1



2. Profile 2



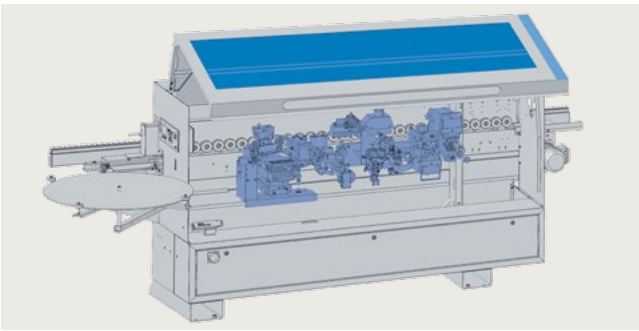
**Optimum compensation for protective films**



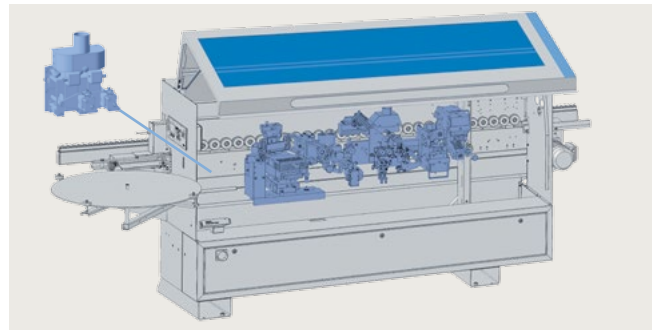


## TECHNICAL DATA FOR HIGHFLEX/AMBITION 1100 SERIES

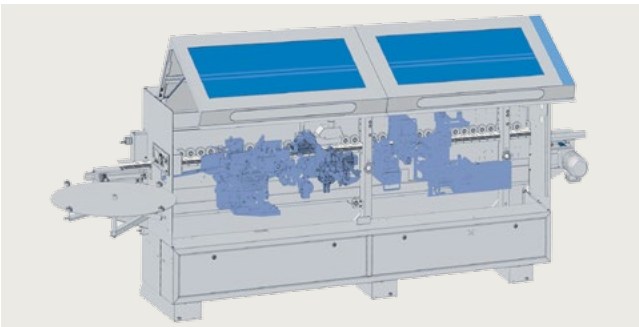
MACHINE DIMENSIONS	AMBITION 1100	AMBITION 1110 F	AMBITION 1120 C	AMBITION 1120 FC	AMBITION 1120 F
Total length (mm)	3672	3672	4270	4270	4270
Processing height (mm)	950	950	950	950	950
<b>WORKING DIMENSIONS</b>					
Workpiece width (mm)					
for workpiece thickness 8–22 mm	70	70	70	70	70
for workpiece thickness 23–40 mm	120	120	120	120	120
Workpiece thickness (mm)	8–40	8–40	8–40	8–40	8–40
Edge thickness rollers (mm)	0.4–3	0.4–3	0.4–3	0.4–3	0.4–3
Edge thickness strips/moldings (mm)	0.4–3	0.4–3	0.4–3	0.4–3	0.4–3
<b>MISCELLANEOUS</b>					
Feed speed (m/min)	8	8	8	8	8
Weight (kg)	700	750	900	950	900
Pneumatics (bar)	6	6	6	6	6
Electrical systems	for all supply networks worldwide				



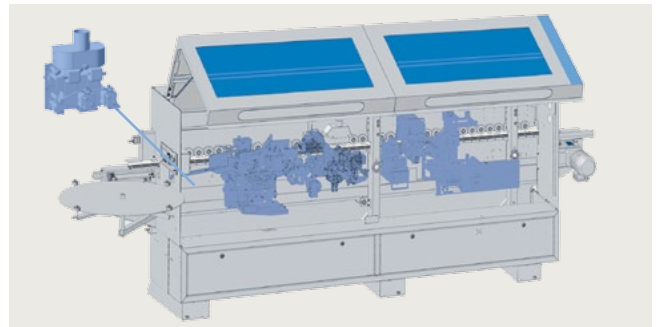
**Ambition 1110**



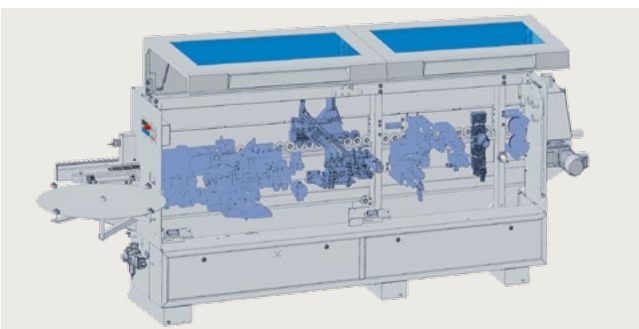
**Ambition 1110 F**



**Ambition 1120 C**



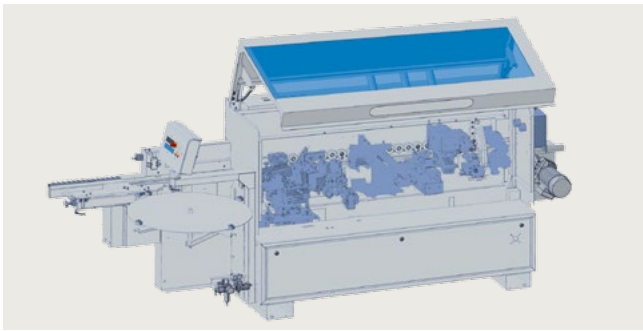
**Ambition 1120 FC**



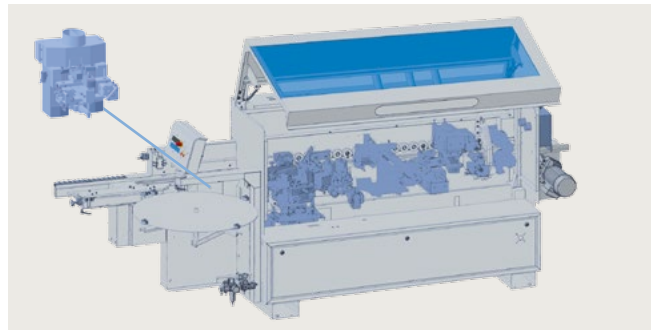
**Ambition 1120 F**

### TECHNICAL DATA FOR AMBITION AIRTEC 1200 SERIES

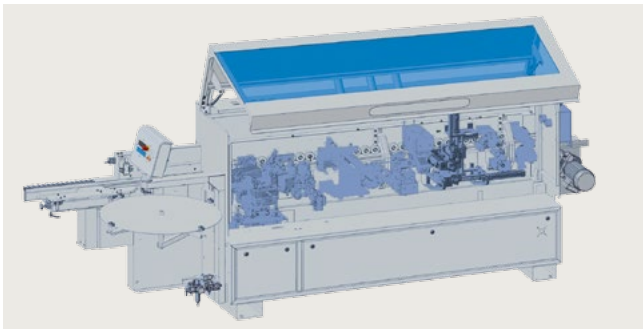
MACHINE DIMENSIONS	AMBITION 1210	AMBITION 1210 F	AMBITION 1220 C	AMBITION 1220 FC	AMBITION 1230 FC
<b>Total length (mm)</b>	3507	3653	4153	4153	4773
<b>Processing height (mm)</b>	950	950	950	950	950
<b>WORKING DIMENSIONS</b>					
<b>Workpiece width (mm)</b>					
for workpiece thickness 8–22 mm	70	70	70	70	70
for workpiece thickness 23–50 mm	120	120	120	120	120
<b>Workpiece thickness (mm)</b>	8–50 (opt. 8–60)	8–50 (opt. 8–60)	8–50 (opt. 8–60)	8–50 (opt. 8–60)	8–50 (opt. 8–60)
<b>Edge thickness rollers (mm)</b>	0.4–3	0.4–3	0.4–3	0.4–3	0.4–3
<b>Edge thickness strips/moldings (mm)</b>	0.4–3	0.4–3	0.4–3	0.4–3	0.4–3
<b>MISCELLANEOUS</b>					
<b>Feed speed (m/min)</b>	11	11	11	11	11
<b>Weight (kg)</b>	910	1080	1240	1290	1500
<b>Pneumatics (bar)</b>	6	6	6	6	6
<b>Electrical systems</b>	for all supply networks worldwide				



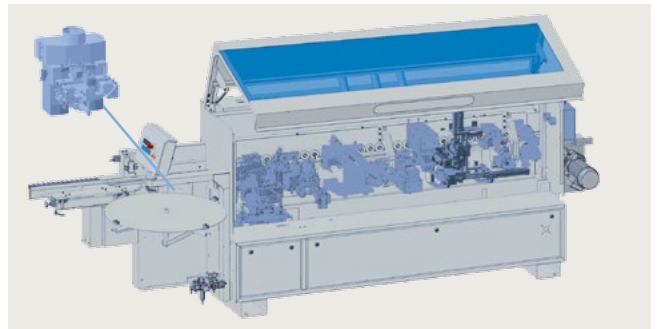
**Ambition 1210**



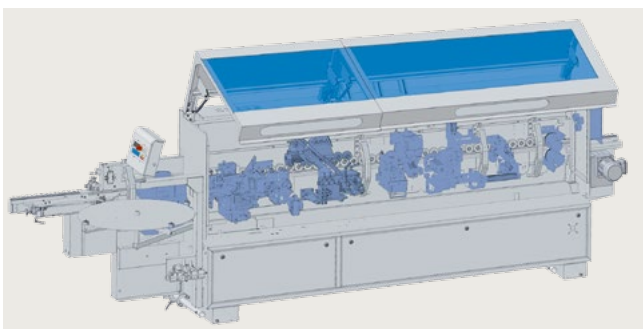
**Ambition 1210 F**



**Ambition 1220 C**



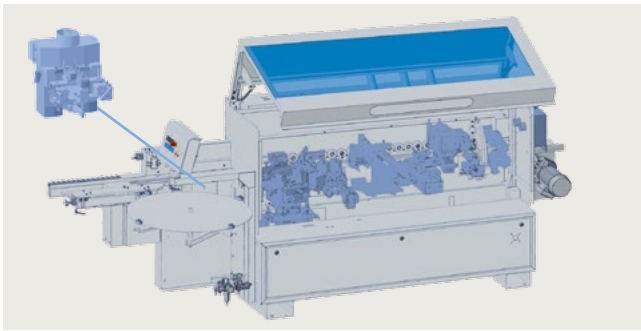
**Ambition 1220 FC**



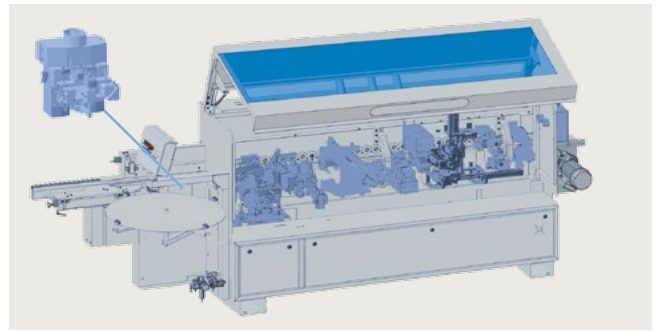
**Ambition 1230 FC**

## TECHNICAL DATA FOR HIGHFLEX/AMBITION AIRTEC 1200 SERIES

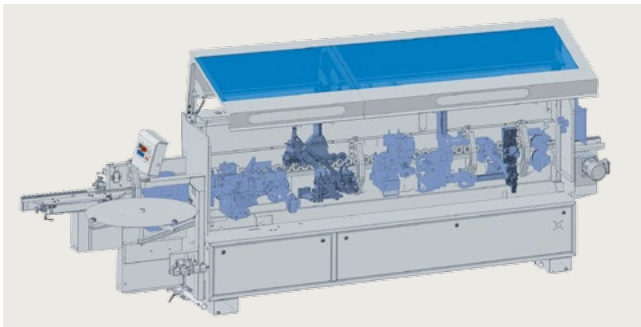
MACHINE DIMENSIONS	HIGHFLEX 1210	HIGHFLEX 1220	HIGHFLEX 1230	AMBITION 1220 AIRTEC	AMBITION 1220 AIRTEC
<b>Total length (mm)</b>	3653	4153	4773	4469	5070
<b>Processing height (mm)</b>	950	950	950	950	950
<b>WORKING DIMENSIONS</b>					
<b>Workpiece width (mm)</b>					
for workpiece thickness 8–22 mm	70	70	70	70	70
for workpiece thickness 23–40 mm	120	120	120	120	120
for workpiece thickness 41–60 mm	150	150	150	150	150
<b>Workpiece thickness (mm)</b>	8–60	8–60	8–60	8–60	8–60
<b>Edge thickness rollers (mm)</b>	0.4–3	0.4–3	0.4–3	0.4–3	0.4–3
<b>Edge thickness strips/moldings (mm)</b>	0.4–6	0.4–6	0.4–6	0.4–6	0.4–6
<b>MISCELLANEOUS</b>					
<b>Feed speed (m/min)</b>	11	11	11	8	8
<b>Weight (kg)</b>	1080	1280	1500	1290	1500
<b>Pneumatics (bar)</b>	6	6	6	6	6



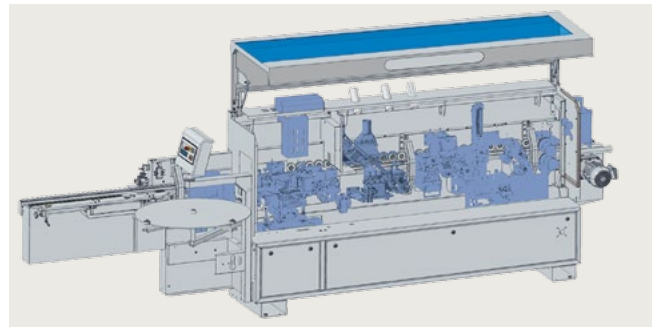
Highflex 1210



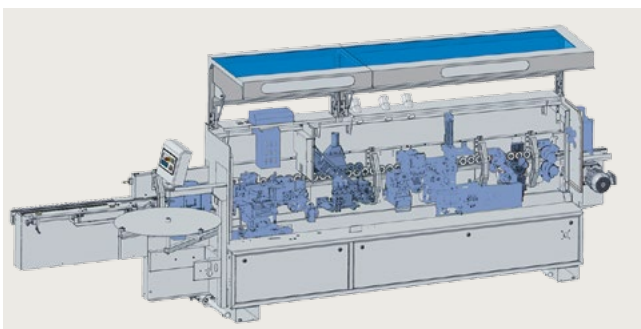
Highflex 1220



Highflex 1230



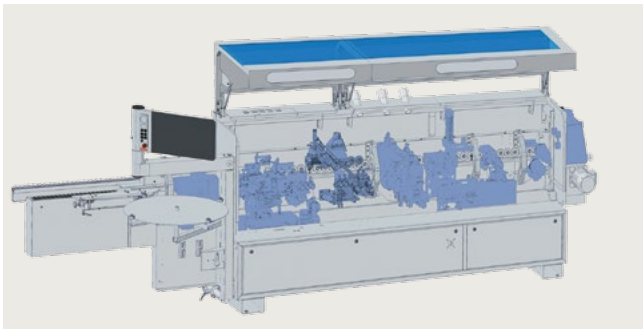
Ambition 1220 airTec



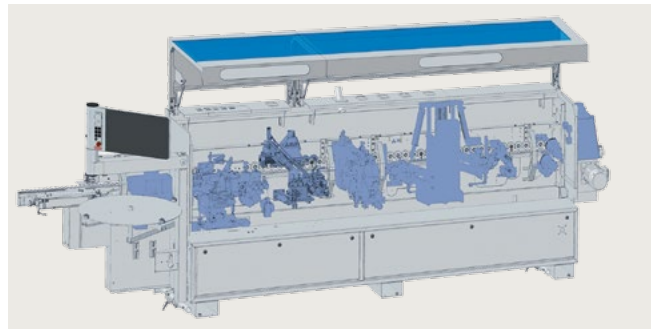
Ambition 1230 airTec

### TECHNICAL DATA FOR AMBITION 1400 SERIES

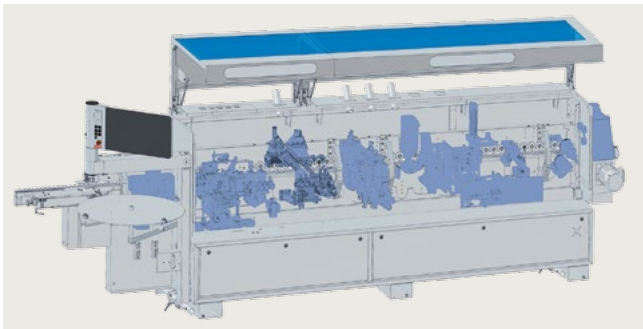
MACHINE DIMENSIONS	AMBITION 1430 FC	AMBITION 1440 FC	AMBITION 1440 FGC	AMBITION 1440 AIRTEC
<b>Total length (mm)</b>	4773	5273	5273	5573
<b>Processing height (mm)</b>	950	950	950	950
<b>WORKING DIMENSIONS</b>				
<b>Workpiece width (mm)</b>				
for workpiece thickness 8–22 mm	70	70	70	70
for workpiece thickness 23–40 mm	120	120	120	120
for workpiece thickness 41–60 mm	150	150	150	150
<b>Workpiece thickness (mm)</b>	8–60	8–60	8–60	8–60
<b>Edge thickness rollers (mm)</b>	0.4–3	0.4–3	0.4–3	0.4–3
<b>Edge thickness strips/moldings (mm)</b>	0.4–8	0.4–8	0.4–8	0.4–8
<b>MISCELLANEOUS</b>				
<b>Feed speed (m/min)</b>	11 (opt. 8–14)	11 (opt. 8–14)	11 (opt. 8–14)	11 (opt. 8–14)
<b>Weight (kg)</b>	1600	1850	1850	1850
<b>Pneumatics (bar)</b>	6	6	6	6
<b>Electrical systems</b>	for all supply networks worldwide			



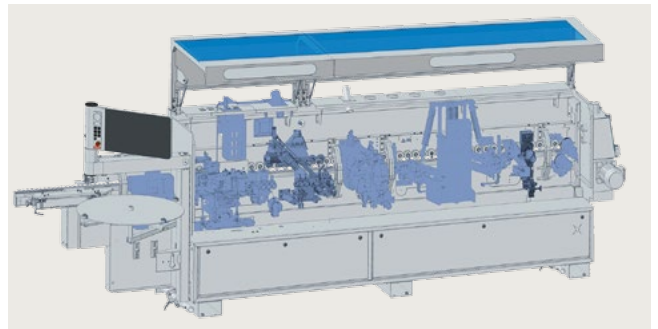
Ambition 1430 FC



Ambition 1440 FC



Ambition 1440 FGC

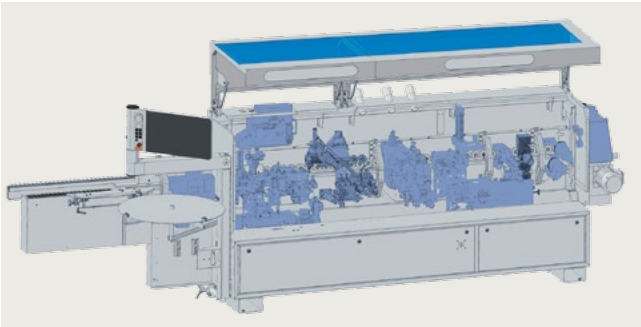
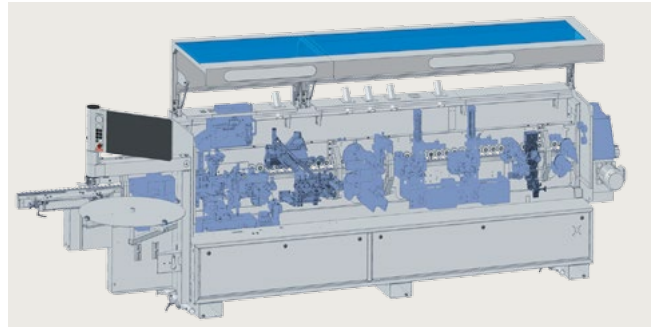
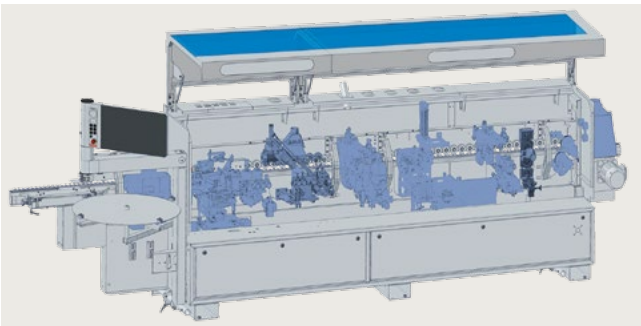


Ambition 1440 airTec



**TECHNICAL DATA FOR HIGHFLEX/EDITION 1400 SERIES**

MACHINE DIMENSIONS	HIGHFLEX 1430	HIGHFLEX 1440	KDF 440 EDITION
<b>Total length (mm)</b>	4773	5273	5573
<b>Processing height (mm)</b>	950	950	950
<b>WORKING DIMENSIONS</b>			
<b>Workpiece width (mm)</b>			
for workpiece thickness 8–22 mm	70	70	70
for workpiece thickness 23–40 mm	120	120	120
for workpiece thickness 41–60 mm	150	150	150
<b>Workpiece thickness (mm)</b>	8–60	8–60	8–60
<b>Edge thickness rollers (mm)</b>	0.4–3	0.4–3	0.4–3
<b>Edge thickness strips/moldings (mm)</b>	0.4–8	0.4–8	0.4–8
<b>MISCELLANEOUS</b>			
<b>Feed speed (m/min)</b>	8–14	8–14	8–14
<b>Weight (kg)</b>	1600	1850	1850
<b>Pneumatics (bar)</b>	6	6	6
<b>Electrical systems</b>	for all supply networks worldwide		

**Highflex 1430****Highflex 1440****KDF 440 edition**



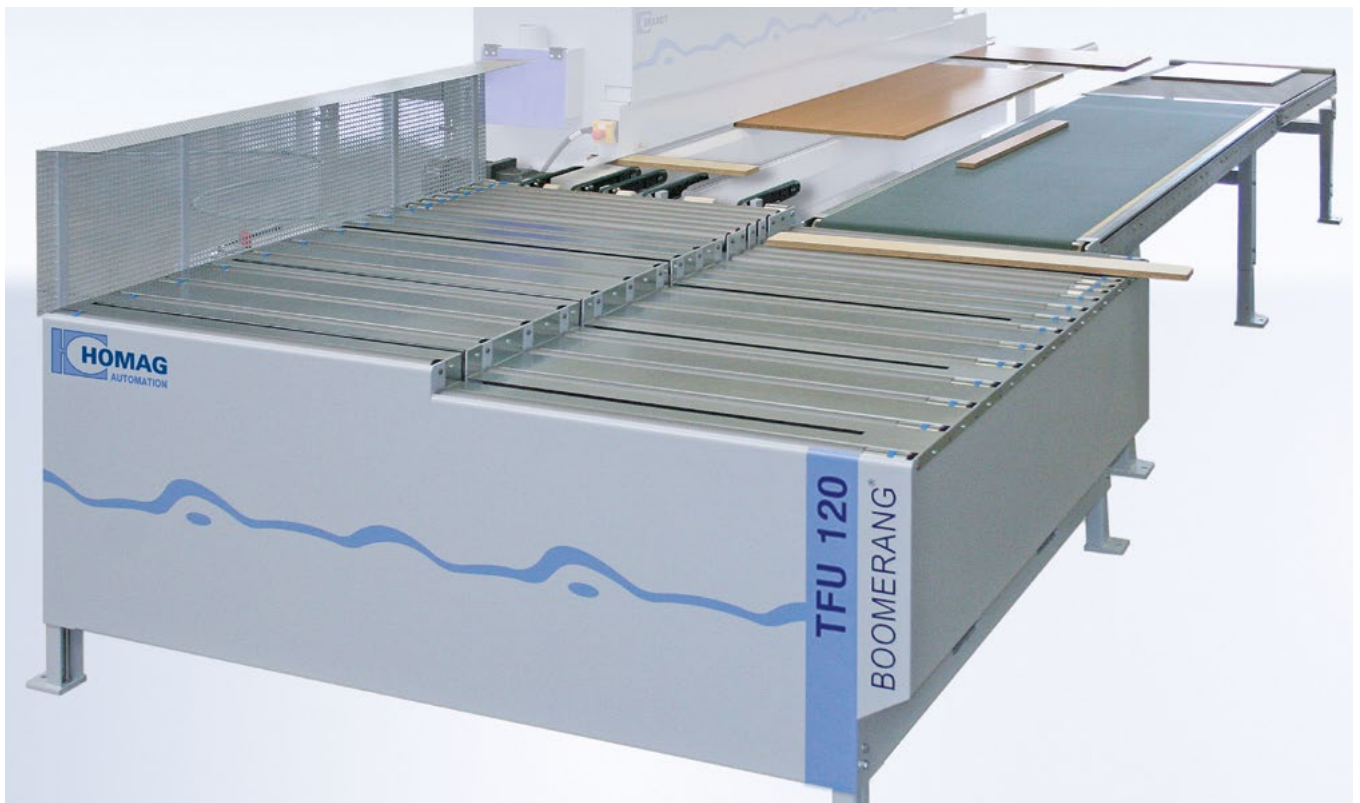
## The right machine for your needs

The machines from the 1100 to 1400 series offer you comprehensive solutions for manufacturing your products flexibly and economically. Whether living room, bedroom and kitchen furniture, functional office furniture, superior shopfitting solutions or batch size 1 production for individual

requirements — HOMAG offers a well designed product range to meet any requirement. Using these machines can also make current trends easily achievable for you and your employees.



Image sources: Kettaker GmbH & Co. KG (living room), Fotolia (kitchen and bathroom)

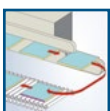


## BOOMERANG® return system TFU 120: Higher productivity for your HOMAG Edge Bander

As an indispensable assistant the return system renders your HOMAG Ambition even more economic. With the one-man-operation you optimize the workpiece return and allow a lean and efficient production

process. Any combination of your HOMAG machine of the Ambition 1400 series with this return system is provided. Excellently suited for customers with small, narrow, and medium-sized workpieces

**BOOMERANG® TFU 120**  
The entry to a comfortable material flow.



### THE ADVANTAGES AT A GLANCE:

- Fast amortization – pays off from 9 hours working time per week
- No training necessary – assemble the BOOMERANG®, connect it, and get started
- Flexible operator organization – thanks to economic one-man operation
- Ergonomic operation – operator will be released from heavy physical work
- Better quality control – fast reaction to material adjustments



**TECHNICAL DATA BOOMERANG®**

<b>TFU 120</b>	
<b>Workpiece length (mm)</b>	300 – 2500
<b>Workpiece width (mm)</b>	50 – 1450
<b>Workpiece thickness (mm)</b>	8 – 60
<b>4-SIDED PROCESSING*</b>	
min. workpiece dimension (mm)	300 x 300
max. workpiece dimension (mm)	1450 x 1450
<b>MISCELLANEOUS</b>	
<b>Weight (kg)</b>	max. 50
<b>Feed speed (m/min)</b>	8 - 25

\*Larger workpieces can be returned or fed out for 4-sided processing with manual assistance for the transverse offset and turning.

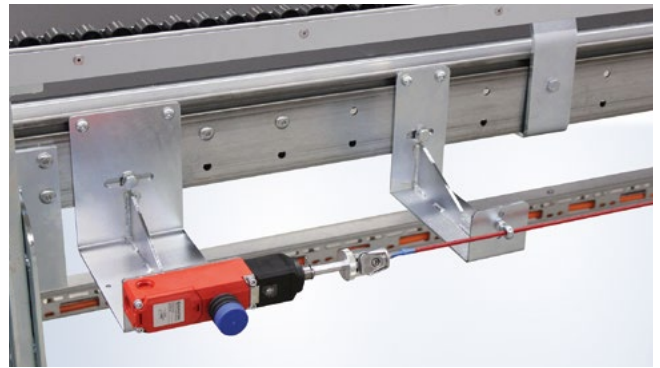
**BY THE WAY:**

The BOOMERANG® already pays off within one year, in fact starting from an operation of 9 hours per week!



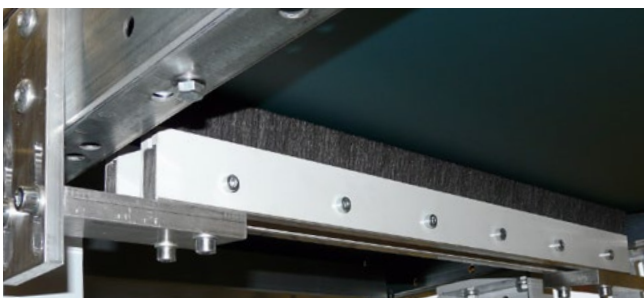
**Sensor-controlled pivot pins (option)**

For easier rotation of short and narrow workpieces.



**CE Package**

Safety engineering equipment. For the protection of the employees.



**Belt cleaning**

For optimal protection against dust and chips.



**Remote control (option)**

Separate control panel at the infeed of the edge-banding machine.



## HOMAG LifeCycleServices

Optimal service and individual consultations are included in the purchase of our machines. We provide support through service innovations and products that are tailored exactly to your company's requirements. With short response times and

fast customer solutions, we can guarantee excellent availability and cost-effective production for the entire life cycle of your machine.



### Remote service

- Hotline support via the remote service for the control system, mechanics, and process technology. This results in 85.2% fewer on-site service visits!
- Mobile applications such as ServiceBoard reduce costs by providing fast assistance in the event of malfunctions through mobile live video diagnostics, online service messages, and the online eParts replacement part shop



### Spare part service

- Identify, query and order spare parts 24/7 via [www.eParts.de](http://www.eParts.de)
- Local parts available worldwide through sales and service companies, as well as sales and service partners
- Reduction in downtimes due to specific replacement part and wear part kits



### Modernization

- Keep your machine fleet up-to-date and increase both the productivity and product quality. This means that you can meet future product requirements today!
- We provide support through upgrades, modernizations, and individual consultations and development



### HOMAG Finance

#### — Tailor made financial solutions

- We offer you tailored financing proposals for your machinery or plants. Our financial advice goes hand in hand with our expertise relating to technical questions. Your personal contact person will take care of the whole process
- The benefits for you: You can invest in new technologies without delay, while remaining financially flexible

# 1.200

service staff worldwide.

# 650

replacement parts orders processed per day.

# 85,2%

fewer on-site visits due to successful remote diagnostics.

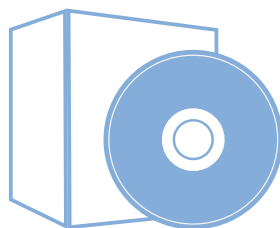
# >1500000

machines electronically documented in 28 languages in eParts.



### Training

- Thanks to training that is precisely tailored to your needs, your machine operators can operate and maintain HOMAG machines as efficiently as possible
- You will also receive customer-specific training material with tried-and-tested exercises



### Software

- Telephone support and advice from Software Support
- Digitalization of your sample parts using 3D scanning saves time and money in comparison to reprogramming
- Retrospective networking of your machine fleet with intelligent software solutions from construction through to production



### Field service

- Increased machine availability and product quality thanks to certified service personnel
- Regular checks through maintenance/inspection ensures that your products are of the highest quality
- Minimization of downtimes in the event of unforeseeable malfunctions due to our high availability of technicians

**HOMAG Kantentechnik GmbH**

Weststraße 2

32657 Lemgo

Germany

Tel: +49 (0) 5261 974-0

info-lemgo@homag.com

www.homag.com



**Choose the Original  
Choose Success!**

For the success of original technology. A VDMA campaign