

Edge banding machines Ambition 2200 / 2400 / 2600



Ambition by the Innovator

Perfect edges for discerning customers – manufactured using HOMAG machines

Individual customer needs and preferences, sophisticated products and a wide range of materials – all factors which play a major role in today's woodworking industry. Here, production flexibility and efficiency are key – particularly for woodworking shops and medium-sized enterprises. HOMAG offers unbeatable benefits and has a presence on the ground in over 80 countries around the world. This is the way forward to create a sharp competitive edge and security for your business in the long term.

For us, you and your products are the number one priority. A promise you can count on!





0.4 mm melamine



2 mm PVC



20 mm solid strips



Veneer



High gloss



Nesting

For more information, go to:

www.homag.com

www.youtube.com/homaggroup

Contents

- 02 Perfect edges for discerning customers – manufactured using HOMAG machines
- 04 Ambition series – all inclusive as standard: The most important features of the models
- 06 Ambition 2270 and 2280: For variable edge gluing
- 08 Ambition 2274 and 2284: Impressive technology
- 10 Ambition 2470 and 2480: Flexible edge processing
- 12 Ambition 2474 and 2484: With patented technology
- 14 Ambition 2482 and 2492: Economy for high aspirations
- 16 Ambition 2660 and 2670: More than just trimming
- 18 Ambition 2671: Everything you need
- 20 Our range of modular units: The right solution no matter what the requirement
- 21 Units to prepare for high-quality gluing
- 22 Gluing units – reliable hot melt glue application
- 24 Snipping units – the perfect preparation for trimming
- 25 Trimming units for flush trimming shape up your edges
- 26 Profile trimming – for rounded edges
- 28 All's well that ends with a great finish
- 29 Units for the free space
- 30 Future and Performance package – optional automation packages
- 32 Additional equipment
- 34 Additional packages to address your individual needs
- 36 power**T**ouch – the innovative control system: easy, equal, ergonomic and evolutionary
- 38 HOMAG Group LifeCycleService
- 40 Technical data Ambition 2270, 2280, 2274, 2284
- 42 Technical data Ambition 2470, 2480, 2474, 2484
- 44 Technical data Ambition 2482, 2492
- 46 Technical data Ambition 2660, 2670, 2671



Ambition series – all inclusive as standard: The most important features of the models

The Ambition series is characterized by its comprehensive equipment standard: Top pressure in steel for precision workpiece guidance, all trimming tools complete with I-system for optimum chip disposal and processing quality. Variable feed rates in various performance categories for high productivity. All the machines of the Ambition series can also be extended. Additional processing units such as grooving or belt sanding can be mounted on the machines which come with a free space. HOMAG Ambition machines are energy-saving and environmentally friendly.



Your benefits

- High-grade furniture with high edge quality
- Enormous flexibility through capacity to process all types of material
- More output through high level of availability due to durable construction and easy-maintenance machine structure
- Ergonomically arranged control functions
- Minimized extraction requirement
- Low energy requirement
- Intuitive operation due to innovative power**Touch** control
- 2-profile technology even for profile trimming (optional)
- Automatic adjustment also at the glue joint scraper blade for changeover between workpieces with and without foil (optional)
- Zero-joint technology with HOMAG **airTec** (optional) also applicable for shift operation
- Outstanding economy
- Optimum cost-to-performance ratio

Top pressure belt

The top pressure beam made of steel with double V-belt forms the basis for outstanding quality, as it ensures that workpieces are ideally clamped for processing.



airTec-zero-joint technology

Hot-air activation unit for melting the function layer of airTec-compatible edging material.



Control with powerTouch

Using the widescreen format multitouch monitor, you control machine functions by direct touch contact.



HSK interface

The hollow shaft taper (HSK) tool interface ensures a positive locking connection between the tool and motor shaft. This generates optimum trimming quality due to vibration-free tool concentricity.



I-system – controlled chip capture

The chips are extracted already in the interior and selectively directed to the extraction hood. Greater economy and a longer service life due to reduced wear and lower service costs. Reduced extraction speed drives down energy consumption and costs.



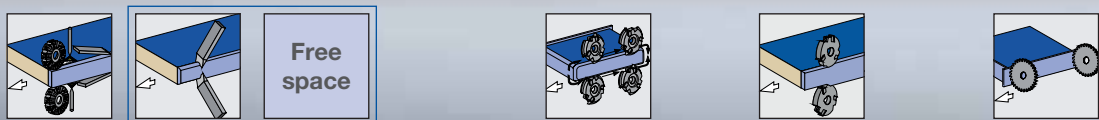
Variable feed rates

Various performance categories tailored to the requirement. Steplessly adjustable. For high productivity. Faster completion of orders. Operating personnel are quickly freed up for other tasks.

Ambition 2270 and 2280: For variable edge gluing

Ambition models 2270 and 2280 can be used for edge gluing, precise snipping and finish processing, including rounding of face sides. The finishing unit at the outfeed removes any possible glue residues and lends grip to your edges. PU can additionally be used if required. Using the four-motor profile trimming unit, even veneer edges can be rounded without splintering. With a feed rate of up to 20 m/min, the machine provides optimum productivity for woodworking shops. The Ambition 2280 also features a free space for additional units.

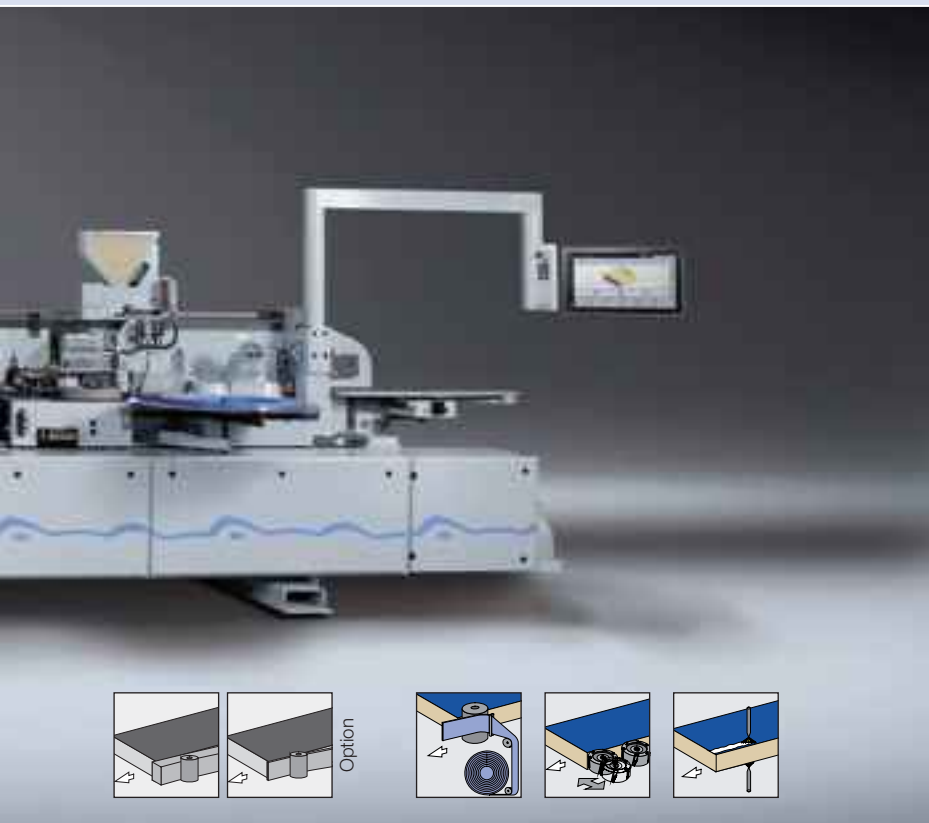
HOMAG Ambition 2280

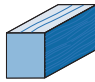

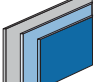


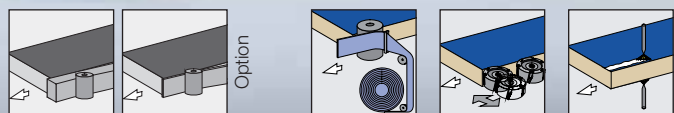
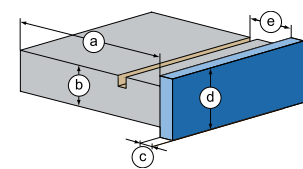
Automation packages Ambition 2270 and Ambition 2280	Future 1 radius	Performance 2 radii	Free space options Ambition 2280
Snipping motor flush/overhang adjustment	✓	✓	
Profile trimming chamfer/radius adjustment	✓	✓	
Profile scraper blade travels out of the work area	✓	✓	
Glue joint scraper blade FA21 travels out of the work area	✓	✓	



HOMAG Ambition 2270



	Solid (mm)	Coils (mm)	Strips (mm)
			
a	with b = 22: min. 60 with b = 40: min. 105		
b	8-60		
c	0.6-20 (option)	0.3-3.0	0.3-1.0 (option)
d	12-65		
e	max. 25 (only Ambition 2280)		



18-20 m/min
Feed rate



High gloss (option)



0.4 mm melamine



2 mm PVC



Nesting (option)



20 mm solid strips (option)

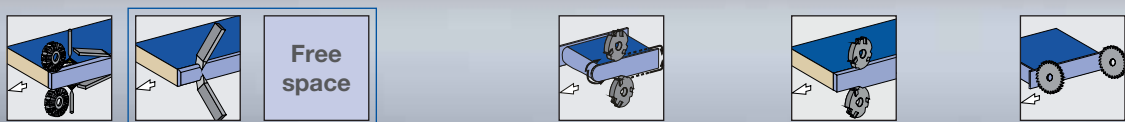
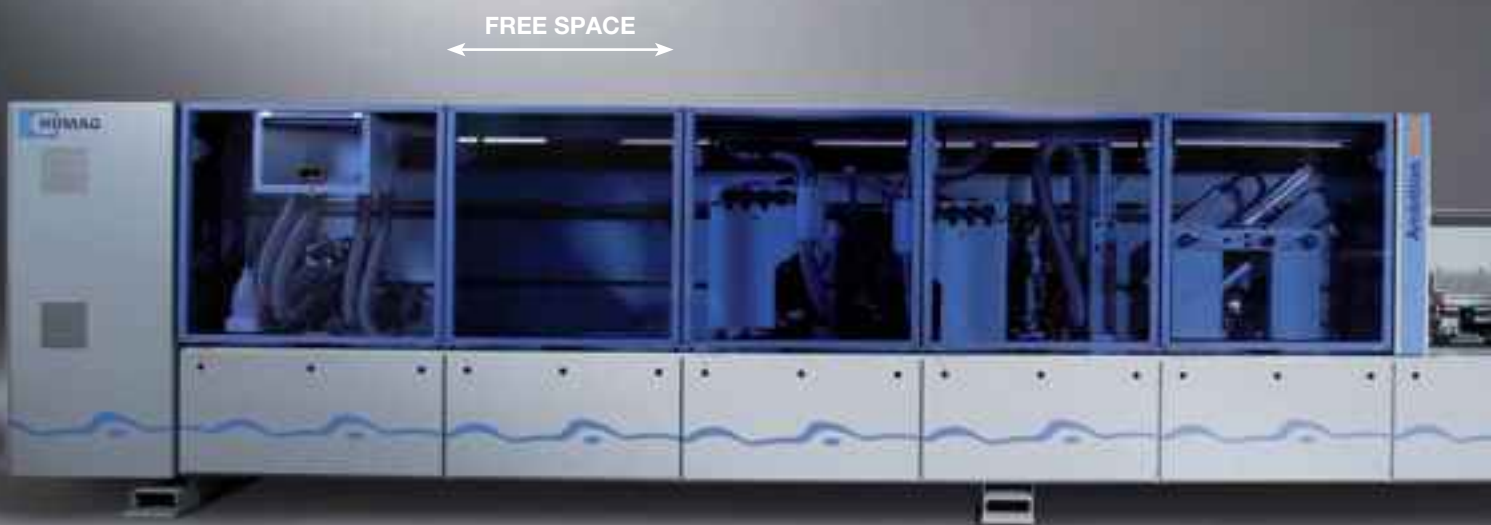


Veneer (coil)

Ambition 2274 and 2284: Impressive technology

Ambition models 2274 and 2284 can be used for gluing edges, precise snipping and finish processing, including rounding the face sides. Facility for using PU is also optionally available. The processing heads at the profile trimming unit and profile scraper blade can be rapidly exchanged for work with different profiles. No-compromise production. And with an unbelievable cost-to-performance ratio. Ambition 2284 also comes with a free space for additional units.

HOMAG Ambition 2284

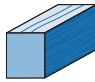

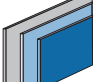


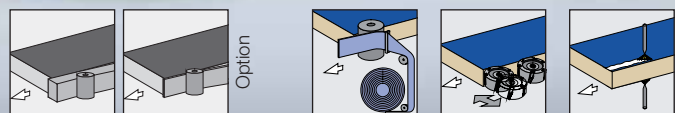
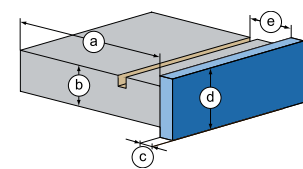
Automation package Ambition 2274 and Ambition 2284	Future 1 radius	Free space options Ambition 2284
Snipping motor flush/overhang adjustment	✓	
Profile trimming chamfer/radius adjustment	✓	
Profile scraper blade travels out of the work area	✓	
Glue joint scraper blade FA21 travels out of the work area	✓	



HOMAG Ambition 2274



	Solid (mm)	Coils (mm)	Strips (mm)
			
a	with b = 22: min. 60 with b = 40: min. 105		
b	8–60		
c	0.6–20 (option)	0.3–3.0	0.3–1.0 (option)
d	12–65		
e	max. 25 (only Ambition 2284)		



18–20 m/min
Feed rate



High gloss (option)



0.4 mm melamine



2 mm PVC



Nesting (option)

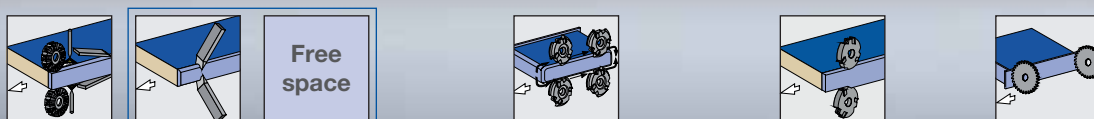


20 mm solid strips (option)

Ambition 2470 and 2480: Flexible edge processing

Ambition 2470 and Ambition 2480 can be used for gluing edges, precise snipping and finish processing, including rounding the face sides. PU can also be used if required. Even veneer edges are rounded using the four-motor profile trimming tool without splintering. The different equipment packages on offer permit adaptation of the machines for a wide range of different requirements. With feed rates of up to 25 m/min, producers with higher output targets can tailor their productivity to changing demands. Ambition 2480 additionally offers a free space for additional units.

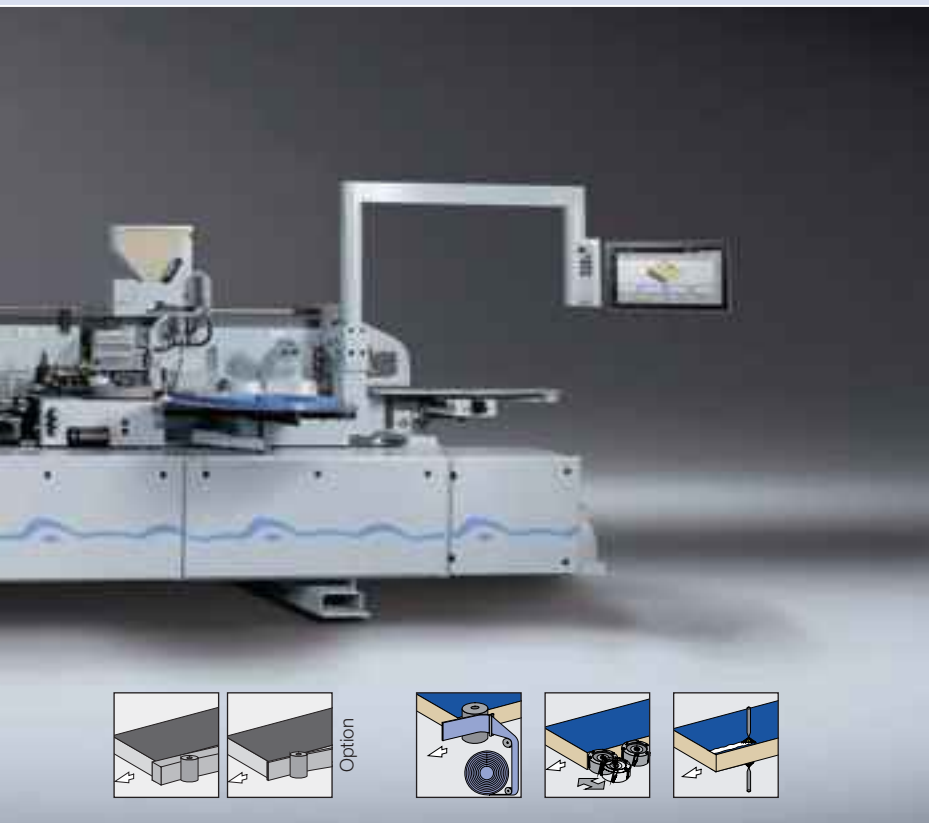
HOMAG Ambition 2480

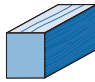

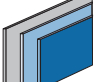


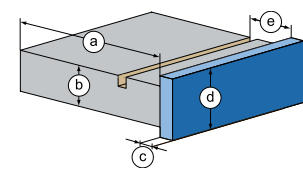
Automation packages Ambition 2470 and Ambition 2480	Future 1 radius	Performance 2 radii	Free space options Ambition 2480
Snipping motor flush/overhang adjustment	✓	✓	
Profile trimming chamfer/radius adjustment	✓	✓	
Profile scraper blade chamfer/radius adjustment	-	✓	
Profile scraper blade travels out of the work area	✓	✓	
Glue joint scraper blade FA21 travels out of the work area	✓	✓	



HOMAG Ambition 2470



	Solid (mm)	Coils (mm)	Strips (mm)
			
a	with b = 22: min. 60 with b = 40: min. 105		
b	8-60		
c	0.6-20 (option)	0.3-3.0	0.3-1.0 (option)
d	12-65		
e	max. 25 (only Ambition 2480)		



16-25 m/min
Feed rate



High gloss (option)



0.4 mm melamine



2 mm PVC



Nesting (option)



20 mm solid strips (option)

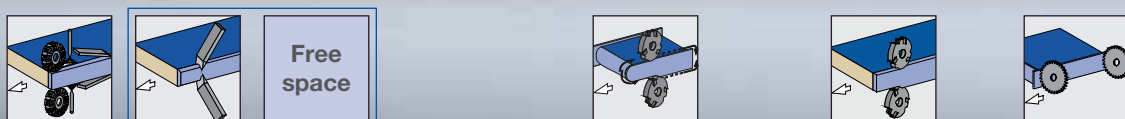


Veneer (coil)

Ambition 2474 and 2484: With patented technology

These Ambition models can be used for edge gluing, precise snipping and finish processing, including rounding of face sides. The finishing unit at the outfeed removes any possible glue residues and lends grip to your edges. PU can additionally be used if required. A patented solution at the profile trimming unit permits the fast, simple changeover of profiles. With a feed rate of up to 25 m/min, the machine provides need-driven productivity for producers with a higher performance requirement. No need to compromise. With its additional free space, Ambition 2484 offers even greater flexibility for mounting a grooving unit.

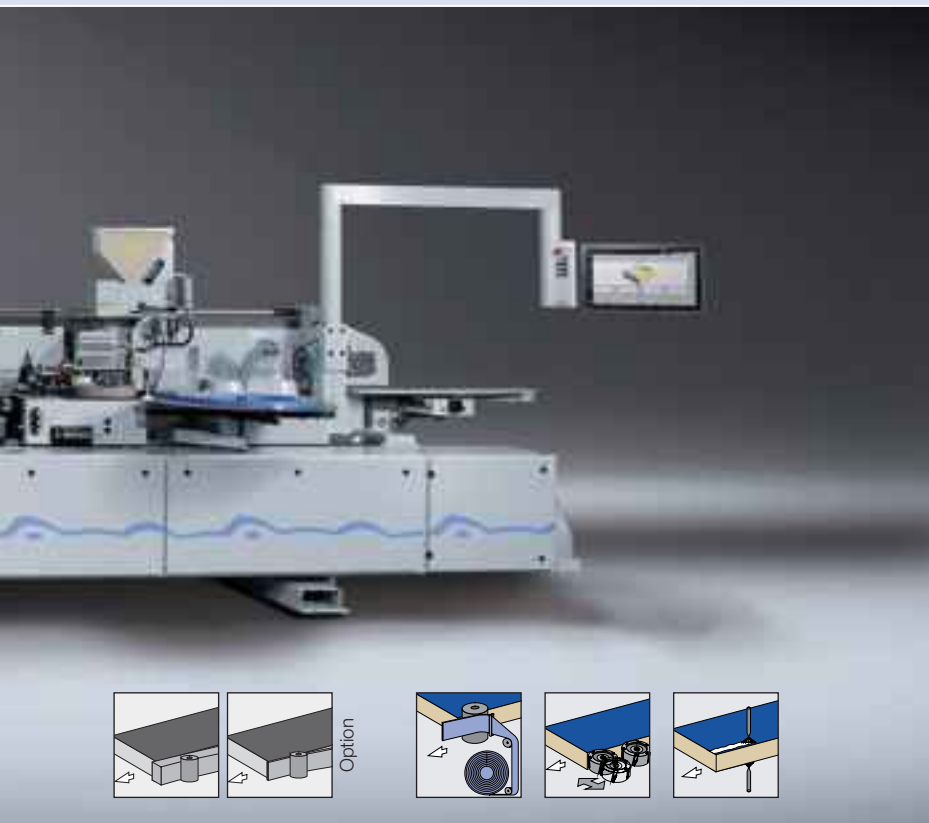
HOMAG Ambition 2484

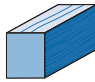

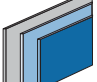


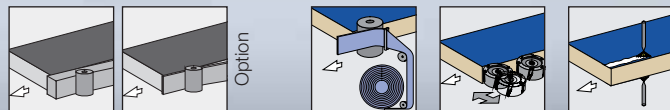
Automation package Ambition 2474 and Ambition 2484	Future 1 radius	Free space options Ambition 2484
Snipping motor flush/overhang adjustment	✓	
Profile trimming chamfer/radius adjustment	✓	
Profile scraper blade travels out of the work area	✓	
Glue joint scraper blade FA21 travels out of the work area	✓	



HOMAG Ambition 2474



	Solid (mm)	Coils (mm)	Strips (mm)
			
a	with b = 22: min. 60 with b = 40: min. 105		
b	8-60		
c	0.6-20 (option)	0.3-3.0	0.3-1.0 (option)
d	12-65		
e	max. 25 (only Ambition 2484)		



16-25 m/min
Feed rate



High gloss (option)



0.4 mm melamine



2 mm PVC



Nesting (option)



20 mm solid strips (option)

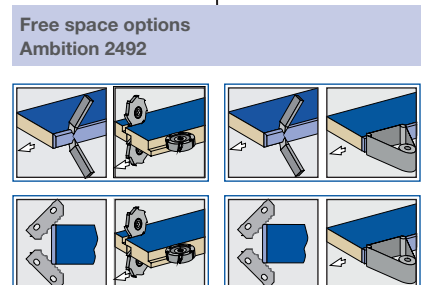
Ambition 2482 and 2492: Economy for high aspirations

Ambition 2482 and Ambition 2492 can be used for gluing edges, precise snipping and finish processing, including rounding the face sides. The profile trimming unit with linear servo drive offers a premium standard of processing quality. These ambition models offer scope for simple automatic changeover between two profiles, such as a 2 mm and 3 mm radius. With feed rates of up to 25 m/min, producers with higher output requirements can tailor their productivity to changing demands. The Ambition 2492 offers an additional free space for even greater flexibility.

HOMAG Ambition 2492



Automation packages Ambition 2482 and Ambition 2492	Future 1 radius	Performance 2 radii
Snipping motor flush/overhang adjustment	✓	✓
Fine trimming chamfer/radius adjustment	✓	✓
Profile trimming chamfer/radius adjustment	✓	✓
Profile scraper blade chamfer/radius adjustment	-	✓
Profile scraper blade travels out of the work area	✓	✓
Glue joint scraper blade FA21 travels out of the work area	✓	✓





HOMAG Ambition 2482

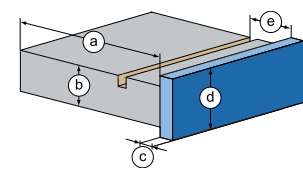


16–25 m/min
Feed rate



High gloss (option)

	Solid (mm)	Coils (mm)	Strips (mm)
a	with b = 22: min. 60 with b = 40: min. 105		
b	8–60		
c	0.6–20 (option)	0.3–3.0	0.3–1.0 (option)
d	12–65		
e	max. 25 (only Ambition 2492)		



0.4 mm melamine



2 mm PVC



Nesting (option)



20 mm solid strips (option)

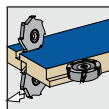
Ambition 2660 and 2670: More than just trimming

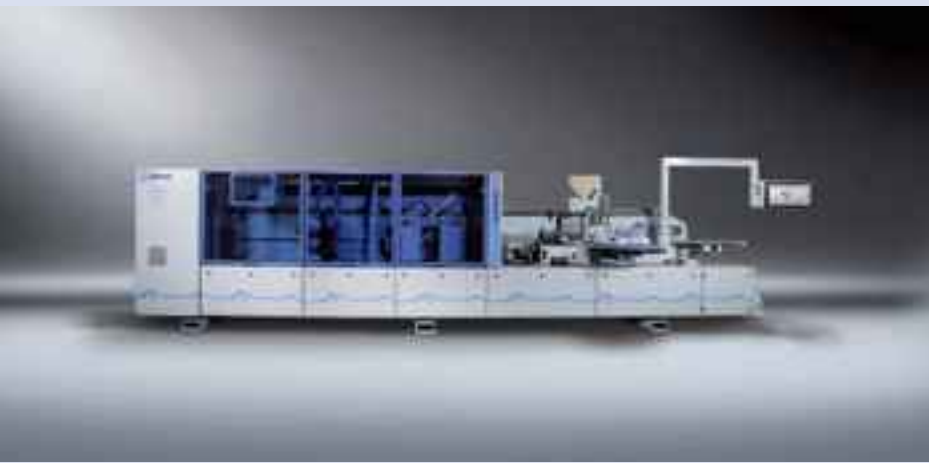
These Ambition models can be used for edge gluing, precise snipping and finish processing. The buffing unit at the outfeed imparts a perfect grip to your edges. A maximum feed rate of 28 m/min increases your productivity. Ambition 2670 comes with an additional free space, e.g. for mounting a grooving unit. Equipped with a solid wood package and grooving unit, rebates on solid wood edges can be processed.

HOMAG Ambition 2670

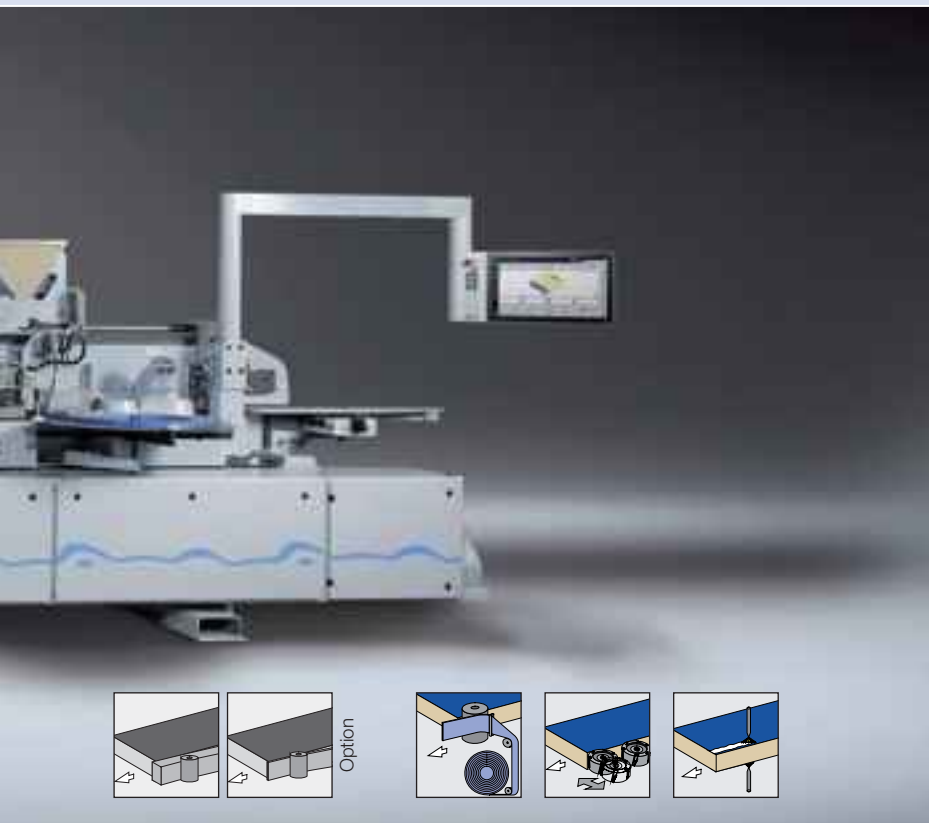


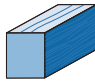

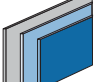
Free space option
Ambition 2670

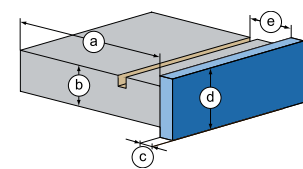




HOMAG Ambition 2660



	Solid (mm)	Coils (mm)	Strips (mm)
			
a	with b = 22: min. 60 with b = 40: min. 105		
b	8–60		
c	0.6–20 (option)	0.3–3.0	0.3–1.0 (option)
d	12–65		
e	max. 25 (only Ambition 2670)		



18–28 m/min
Feed rate



0.4 mm melamine



2 mm PVC



20 mm solid strips (option)



Veneer (coil)

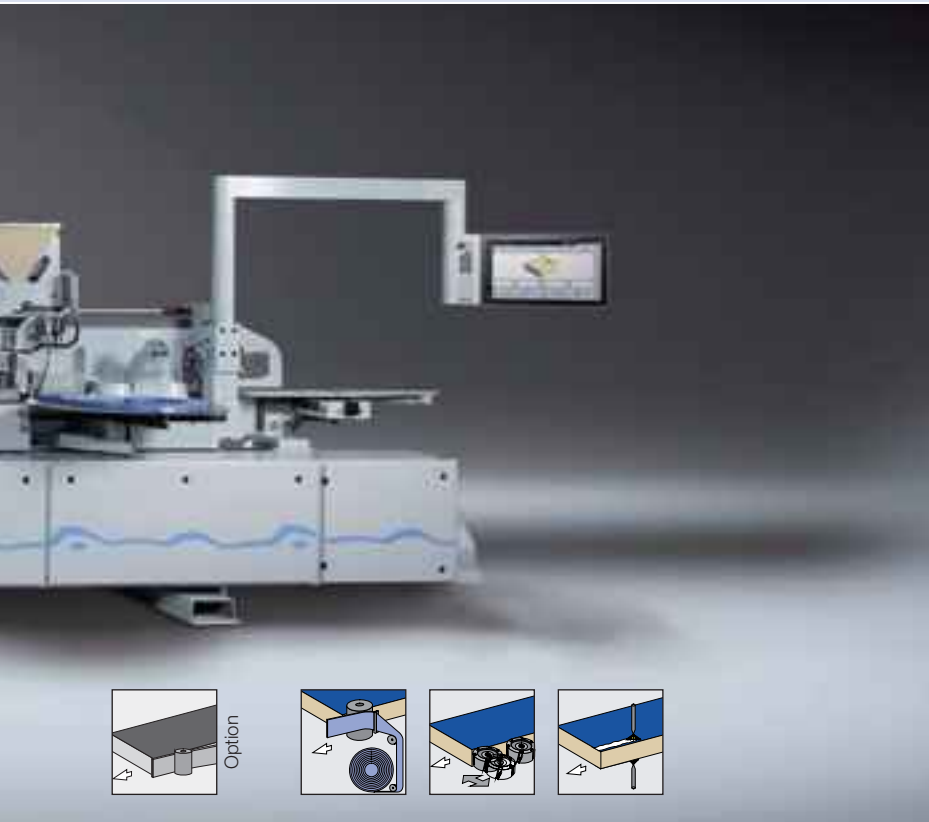
Ambition 2671: Everything you need

Edge bands can be glued and finished processed on the Ambition 2671, including rounding of face sides. PU can also be used on request. The buffing unit at the outfeed imparts a perfect grip to your edges. A sanding or grooving unit can be mounted at the free space. The choice is yours. The feed rate of 30 m/min opens up scope for higher productivity.

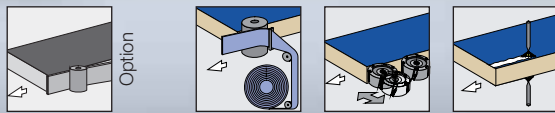
HOMAG Ambition 2671



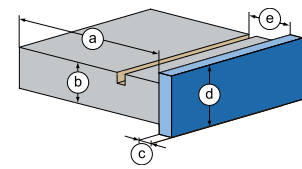
Automation package Ambition 2671	Future 1 radius	Free space options Ambition 2671
Fine trimming chamfer/radius adjustment	✓	
Profile trimming chamfer/radius adjustment	✓	
Profile scraper blade travels out of the work area	✓	
Glue joint scraper blade FA21 travels out of the work area	✓	



	Coils (mm)	Strips (mm)
a	with b = 22: min. 60 with b = 40: min. 105	
b	8-60	
c	0.3-3.0	0.3-1.0 (option)
d	12-65	
e	max. 25	



16-30 m/min
Feed rate



0.4 mm melamine



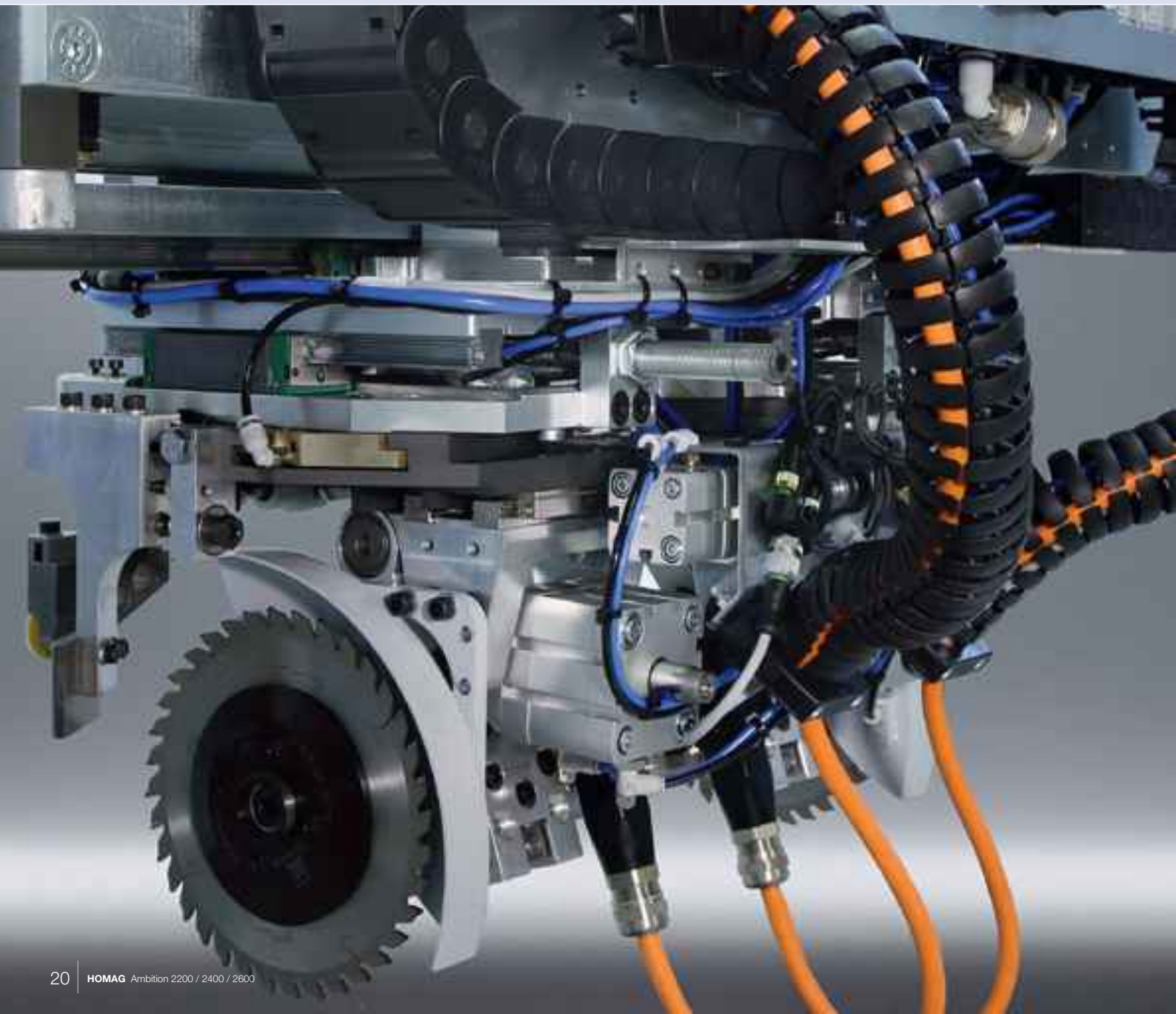
2 mm PVC



Veneer (coil)

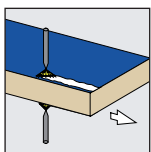
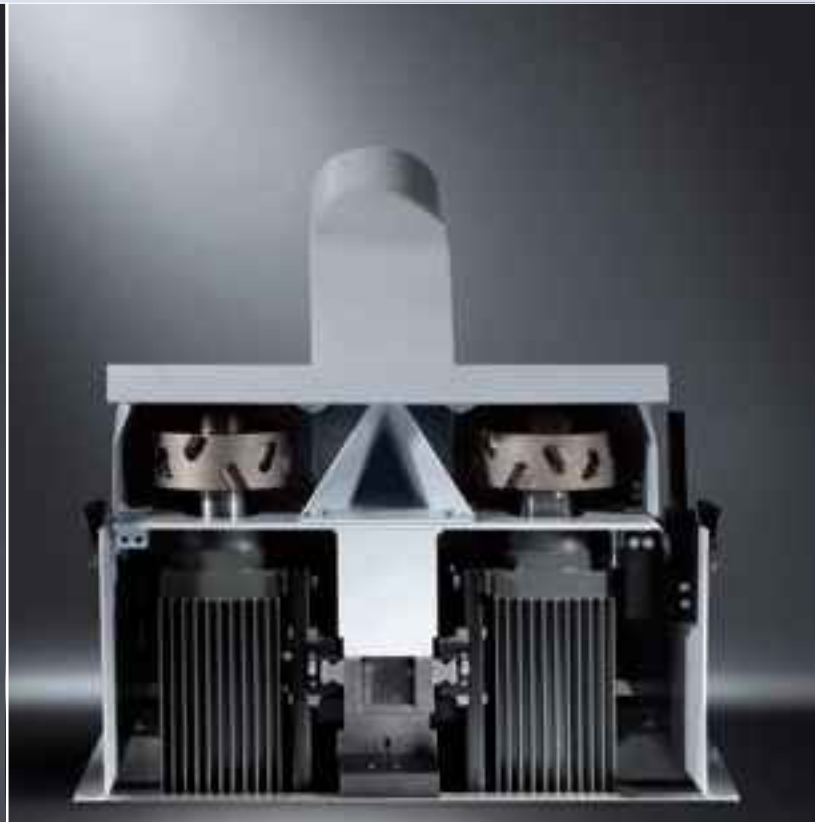
Our range of modular units: The right solution no matter what the requirement

For wide-ranging different processing tasks, we use units from our tried and tested modular range. By continuously extending the offered functions, we ensure that you have the right solution available to cope with changing trends. Presenting a range of new units for gluing, snipping, profile trimming, grooving and finish processing.



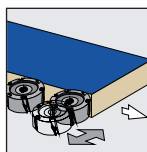
Units to prepare for high-quality gluing

The separating agent spraying unit and the jointing trimming unit ensure optimum preparation of your workpieces for gluing. The sprayed separating agent application simplifies the removal of glue residues. The jointing trimming unit provides the perfect basis for splinter-free glue joints with a consistently high standard of product quality.



Separating agent spraying unit

Prevents the adhesion of hot melt glue residues on the top and bottom of workpieces, so creating optimum workpiece quality.

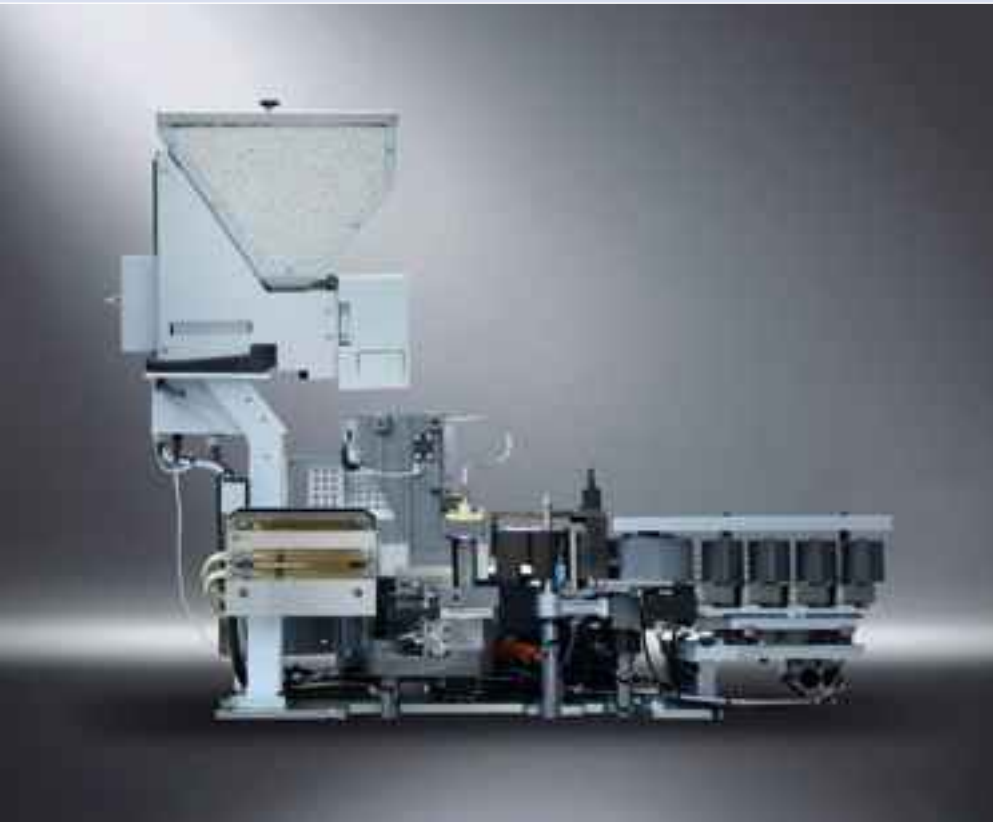


Jointing trimming

This unit permits a high level of processing precision, is extremely hardwearing and is also designed to ensure an above-average service life. The diameter of the low-noise flying chip-optimized tool (I-system) is 125 mm.

Gluing units – reliable hot melt glue application

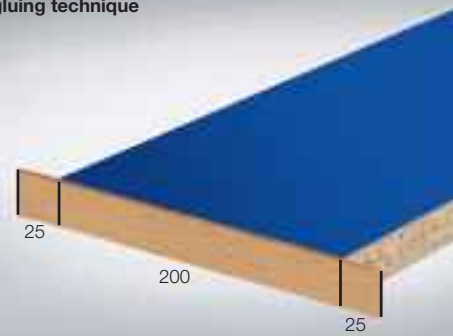
HOMAG gluing units are ideal for a fast, positive-locking glue bond. An EVA pre-melting unit comes as standard. The heated glue roller ensures an optimum gluing temperature. The magazine height adjustment permits different edge heights to be processed with a consistent workpiece thickness. On request, the gluing unit can also be individually equipped with a PU pre-melting unit – allowing rapid changeover between two different colors or PU.



Hot-melt gluing unit

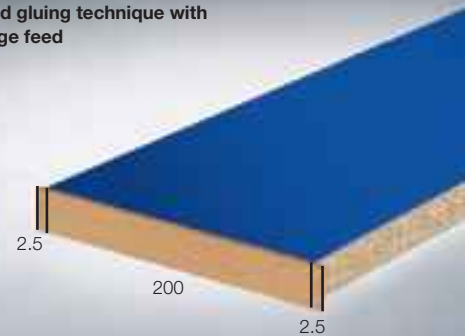
For processing coil material from 0.3–3 mm.

Previous gluing technique



Dimensions in mm

Optimized gluing technique with servo edge feed



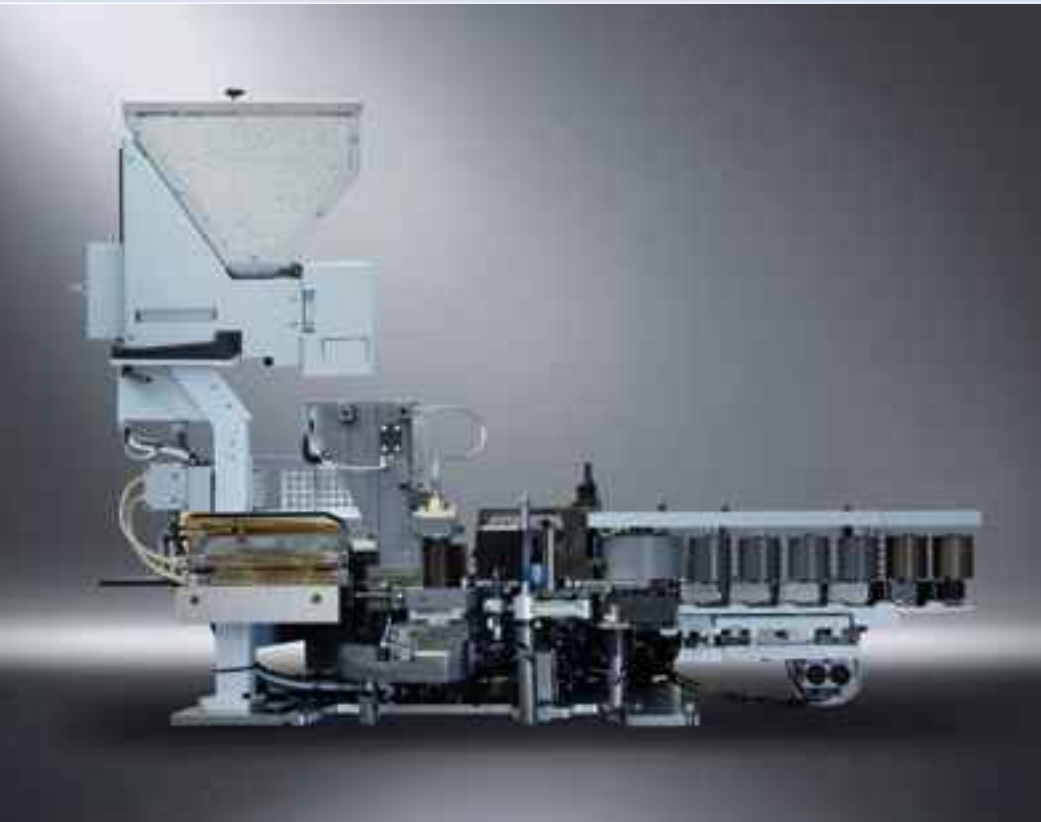
Dimensions in mm

Servo edge feed

Edge feed with a precision of +/- 2–3 mm at the leading and trailing edge to reduce edging material waste.

Your benefits at a glance

- Optimum glue application on the narrow surface
- Changes to workpiece thicknesses do not necessitate resetting of the glue application roller
- Magazine with 2 rollers for the fast, trouble free changeover of edges even with single edge feed
- Glue roller lift-off on feed stop
- Easy-access granulate tank and level control
- Pre-melter for melting hot-melt glue as required either manually or automatically
- Sensor for application unit level control
- Glue roller with integrated heating guarantees constant temperature and viscosity for all workpiece thicknesses
- Electropneumatic glue roller and tank clamping prevents glue soiling on the trailing edge of the workpiece
- Individual drive for glue roller and first pressure roller synchronized with feed
- Tracing pad prevents wear of the application roller and ensures a consistent glue film thickness
- Simple removal of the application unit with quick-release lock
- Easy access to all functions from the front simplifies operation and maintenance
- Sensor for edge monitoring prevents hot-melt glue application on the workpiece where there is no edge present. This prevents contamination of the pressure rollers
- Manual height adjustment of the magazine
- **airTec** can be retrofitted



Hot-melt gluing unit with solid wood package

For processing coil material from 0.3–3 mm and solid strips of up to 20 mm.

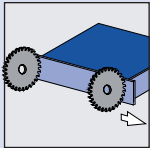


Magazine height adjustment

For processing coil material from 0.3–3 mm and solid strips of up to 20 mm. Different edge thicknesses can be processed with a single edge height.

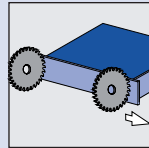
Snipping units – the perfect preparation for trimming

The snipping units prepare the workpieces perfectly for subsequent trimming operation. The face side can be snipped either straight or with chamfer.



Snipping unit HL81

For a clean snipping cut of overhanging edges on leading and trailing workpiece edges using the drawing cut technique.



Snipping units PK25 and PK30

For snipping the edge overhang at the leading and trailing workpiece edge with stationary snipping stop to protect sensitive workpieces from damage.

Feed rates:

- PK25 = 25 m/min
- PK30 = 30 m/min



Automation as standard

Programmable chamfer/straight snipping motor adjustment for fast changeover between straight snipping and snipping with chamfer.



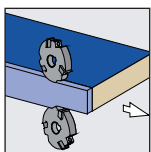
Automation to suit every need

For fast changeover between flush snipping (e.g. of solid strips or inlay shelves) and snipping with overhang (e.g. for finish trimming with profile trimming unit).



Trimming units for flush trimming shape up your edges

With the rough trimming unit and the fine trimming unit HOMAG offers the right solution for the processing of projecting edges. The trimming units are equipped exclusively with I-tools. This and the HOMAG-patented HSK interface ensure a high standard of processing quality and a long tool life.

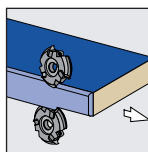


Rough trimming unit

For rough trimming the upper and lower edge overhang.

Automation to suit every need

Automatic changeover from flush trimming to trimming with projecting edge using 2-point adjustment.



Fine trimming unit

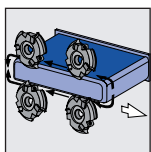
For trimming chamfers and radii with manual adjustment.

Automation to suit every need

Stepless chamfer/radius adjustment for rapid changes between processing operations, e.g. from 0.4 mm to 2 mm edge.

Profile trimming – for rounded edges

HOMAG profile trimming units are universal. As a user, your job is to program any profile that takes your fancy: Then stand back and watch the extreme speed and precision of the expert execution. The efficient mode of operation results in higher productivity. Our dual-motor profile trimming units permit both corner rounding and trimming of upper and lower projecting edges.

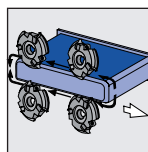


Profile trimming unit FF30

For rounding edges at the leading and trailing workpiece edge top and bottom at a constant feed rate.

Automation to suit every need

Chamfer/radius adjustment (2-point adjustment) for rapid changes between processing operations, e.g. from 0.4 mm to 2 mm edge.

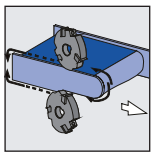


Profile trimming unit FF32

For rounding edges at the leading and trailing workpiece edge top and bottom at different feed rates. By dividing the cut over four motors, each corner can be processed in synchronous rotation. This lends corners a perfect trimmed finish for every edging type – even with veneer. Workpiece thicknesses and feed rates are automatically adjusted without manual intervention.

Automation to suit every need

Stepless chamfer/radius adjustment for rapid changes between processing operations, e.g. from 0.4 mm to 2 mm edge.

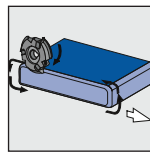


Profile trimming unit FK11

For processing overhanging edges and trimming around the leading and trailing edge.

Automation to suit every need

Stepless chamfer/radius adjustment for rapid changes between processing operations, e.g. from 0.4 mm to 2 mm edge.



Profile trimming unit FK30

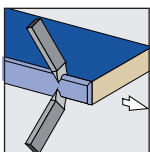
For trimming around the leading and trailing edge.

Automation to suit every need

Adjustment to two different radii and automatic adjustment of the tracing roller diameter.

All's well that ends with a great finish

The quality of your products is increased by the use of perfectly coordinated finishing units. With ideally coordinated finishing units, HOMAG adds a perfect, high-quality final touch to your products.

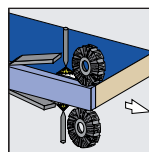


Profile scraper unit PN10

For smoothing trimmed edges to achieve an optimum appearance.

Automation to suit every need

Travel out of the work area.



Finish processing

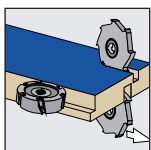
Comprising a glue joint scraper unit for disposal of glue residues at the top and bottom of plastic edges and a buffing unit.

Automation to suit every need

Travel out of the work area.

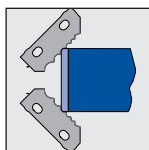
Units for the free space

Depending on the Ambition model, a free space is available for individual equipment. Select between the grooving unit, the multi-scraper blade or the belt sanding unit.



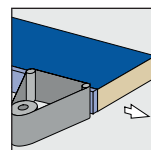
Grooving unit SF21

For grooving, rebate trimming and profiling.



Multi scraper MN21

For smoothing trimmed edges for an optimum appearance. Optimum resetting for different profiles, corrections to a pinpoint standard of accuracy. Reproducible quality to the highest standard.



Belt sanding unit KS10

For sanding straight veneered and solid edges including oscillation as a standard feature.

Future and Performance package – optional automation packages

The Future and Performance packages mean higher productivity due to faster retooling. All axis adjustment processes are performed by means of servo axes. Adjustment is program controlled for optimum precision and repeat accuracy. The Future package permits steplessly automated changeover between profile and chamfer. The Performance package implements automatic changeover of two profiles and chamfer.

Programmable adjustment of the flush/overhang snipping motor

For fast changeover between flush snipping (e.g. of solid strips or inlay shelves) and snipping with overhang (e.g. for finish trimming with profile trimming unit).

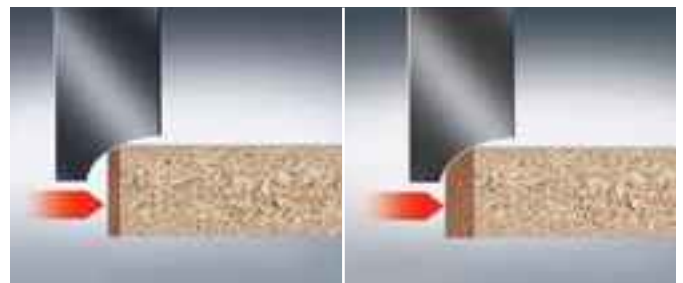


Automatic adjustment to different chamfer thicknesses

Profile trimming FK11, FK30, FF32.

Automatic adjustment of the flush/overhang rough trimming unit

For automatic changeover from flush trimming to trimming with edge overhang.



Automatic adjustment of chamfer and radius

Profile trimming FF30, FF32, FK11 and FK30.

Your benefits at a glance

- Program controlled adjustment for optimum precision and repeat accuracy
- Faster resetting
- Increased productivity
- All adjustments are stepless, using controlled servo axes for precisely positioned programmed adjustment

flexTrim at the fine trimming unit

2-profile technology for the fine trimming unit allows fast automatic profile changeover.



flexTrim at the profile trimming unit

2-profile technology for the profile trimming unit allows fast automatic profile changeover.



Automatic adjustment of chamfer and radius

Profile trimming FF30, FF32, FK11 and FK30.



Profile scraper unit for 2 profiles

Automatic profile changeover with stepless adjustment.



Pneumatic adjustment for PN10/finish processing unit

Automatic cut-in and cut-out from the work area.



Variable tracing roller diameter

Permits automatic adjustment of the tracing roller diameter to different applications.

Additional equipment

For every Ambition model, we offer ideal supplementary equipment options to upgrade the existing equipment outfit for your specific needs.

Pre-melting unit for two colors

Two alternating glue colors can be melted on conveniently without the need to empty the storage tank.



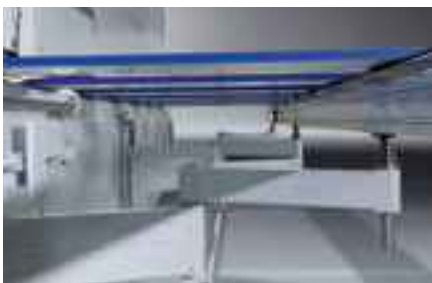
I-DIA jointing trimming unit WD 63

For workpiece thicknesses of 60 mm with tool diameter 125 mm.



Remote control / Operator package

This allows the feed system to be started while the operator is standing by the unit during setting work.



Scissor-design workpiece support

Conveniently extendable to 1 000 mm.



QA glue tank front section for exchanging

For fast exchange between different types of hot melt glue.

Glue tank front section to be exchanged for PU application

Teflon coated.



Exchange head set for FK11

Fast, precise changeover of the exchange head for FK11. Different lateral tracing configurations: Non-adjustable, manually and automatically adjustable.



Exchange device FF30 and FF32

For exchanging the complete change head (tool with motor and motor retainer) instead of the tool. Configurations: Manually and automatically adjustable.



Quick-change head set PN10

Fast profile change without adjustment work.
Configurations:
R = 1.5 mm
R = 2 mm
R = 2.5 mm
R = 3 mm

Tight roller distance / Small parts package

Optimum workpiece guidance in the area of the profile trimming unit for workpiece length < 240 mm.



Increased cooling output > 40° C

To protect the electronic system at ambient temperatures of over 40° C. Ensures reliable, trouble-free production even in extreme climate conditions.

I-system DIA-radius/chamfer trimming unit

R = 1.5–3 mm, chamfer 15°.
Tool for optimized chip removal.



BOOMERANG® return conveyors by HOMAG Automation

- Pre-installation for the return conveyors: TFU 120, TFU 140
- Integration in the HOMAG control: TFU 521 edition

Additional packages to address your individual needs

For the individual upgrade of the functional scope of the machines, the equipment packages "Solid wood", "PU", "Foil / high gloss" and "Nesting" are available.



Solid wood package

This package offers the possibility to glue solid wooden strips. All axes are adjusted by controlled servo axes.

PU packages

To suit all requirements two PU packages are available:

- PU package for the processing with PU glue instead of hot melt glue
- PU package for the optional processing with either hot melt glue or PU glue



Foil / high gloss packages

For perfect high gloss parts, important components such as motor-powered top pressure beam and automatic glue joint scraper adjustment are used. Choose between the two foil / high gloss packages for the processing of workpieces

- on the upper and / or lower edge
- on the lower edge

Nesting package

Different tracing elements are mounted depending on the unit configuration. These are ideal for processing acute or obtuse-angled parts or parts with hinge holes of the type produced by nesting.

powerTouch – the innovative control system: easy, equal, ergonomic and evolutionary

HOMAG Group machines are designed to make simple operation and reliable control a matter of course. Our innovative touchscreen operating philosophy combines design and function in one control. The new system is characterized by full HD multitouch monitor, ergonomic touch operation, simple navigation and the standardized user interface.

Easy

- The easy, intuitive operation of powerTouch increases the speed and reliability of inputs
- Modern software modules supply information on the machine status at a glance
- Integrated help and assistance functions result in greater production readiness



Ergonomic

- Direct control via the touch-sensitive touchscreen monitor
- Ergonomic design of powerTouch control center
- Intuitive operation through gesture control for functions such as zooming, swiping, scrolling

Equal

- Standardized operating elements, software modules and standardized design characterize the powerTouch control system for HOMAG Group machines
- This allows different HOMAG Group machines to be controlled in the same way,
- making for simpler, more efficient operation



Evolutionary

- Design and function united in one control
- The futuristic powerTouch machine control system is combined with state-of-the-art operating concepts used in smartphones and tablet PCs



Control with powerTouch

Using the widescreen format multitouch monitor, you control machine functions by direct touch contact. The ergonomically optimized design and an array of new help and assistant functions substantially simplify operation.

Programming with woodCommander

The programming system for all HOMAG throughfeed machines. Extreme user convenience due to input screens with graphic support – for simple navigation and menu prompting.

Evaluation with MMR Basic

The MMR – Machine Monitoring and Reporting software evaluates the productivity of your machine. Optimum maintenance processes can also be carried out based on use-dependent maintenance instructions.



Support via TeleServiceNet Soft

High-speed service and help provided by targeted troubleshooting and support over the Internet.

Option: Diagnostic system woodScout

Alongside error messages in plain text, woodScout also provides a graphic representation of the error location. In addition to the system's expert knowledge database, users can store their own troubleshooting solutions.

Option: MMR Professional

The MMR Basic upgrade additionally evaluates shifts, analyzes error messages and permits a link to be created to the data evaluation center in the office. You are provided with productivity key indicators, support in problem analysis and an overview of optimization potential.

HOMAG Group LifeCycleService

The sale of our machines comes with all-in optimum service backup and individual advice. We support you with service innovations and products which are especially tailored to your requirements. With short response times and fast customer solutions we guarantee consistently high availability and economical production – over the entire life cycle of your machine.



LifeCycleServices



1 200

service employees
around the world

85.2 %

less on-site-services through
successful remote diagnosis

650

processed spare parts
orders / day

>150 000

machines
in 28 different languages
electronically documented
in **eParts**

Remote Service

- Hotline support via remote diagnosis for control, mechanics and process technology. Thus the on-site service can be reduced by 85.2 %!
- Mobile applications such as ServiceBoard reduce the costs through fast assistance in case of troubles with mobile live video diagnostics, online service request and the online spare part shop **eParts**



Spare Part Service

- Identify, request and order spare parts around the clock via www.eParts.de
- Local availability of parts offered by our sales and service companies as well as sales and service partners all over the world
- Reduction of downtimes through defined spare parts and wear parts kits



Field Service

- Increase of machine availability and product quality by certified service staff
- Assurance of the highest quality of your products by regular checks through maintenance / inspection
- Reduction of downtimes in case of unpredictable troubles due to our high availability of technicians





Energy, time, material and personnel – conserve these precious resources and save cash with ecoPlus technologies from the HOMAG Group, helping you to make your company more productive.

The environmentally friendly, innovative technologies are instantly recognisable by the ecoPlus sign.



Conserving **resources** **Saving** money

Minimal energy costs with ecoPlus*

- Intelligent stand-by operation reduces energy costs during break periods by up to 90 %
- A valve control system switches the extraction on only for units which are actually operational. This reduces extraction costs by up to 20 %
- I-tools reduce the necessary extraction speed per individual I-tool. Current consumption per machine is reduced in this way by around 1 250 kWh. This does not take into account savings due to room air which requires no extraction (heating / air conditioning)
- The control switch cabinet is cooled using cool plate technology. This passive cooling system requires no energy. No filters require changing and maintenance costs are saved. The system also remains closed. No dust is able to penetrate
- Optional measurement and visualization of current consumption data from compressed air extraction and flow to optimization of overall energy consumption

Material savings with ecoPlus

- Servo edge feed systems cut material consumption by reducing the edging used per workpiece

* Depending on equipment configuration, service period and workpiece spectrum.



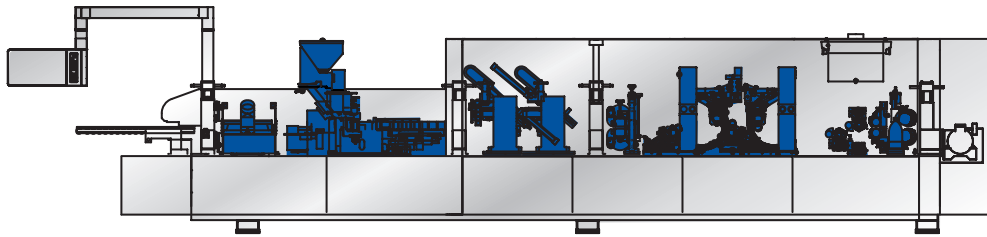
HOMAG Finance – precisely the right financing

We offer you tailored financing proposals for your machinery or plants. Our financial advice goes hand in hand with our expertise relating to technical questions. Your personal contact person will take care of the whole process.
The benefit for you: The ability to invest without delay in new technologies and remain financially flexible.

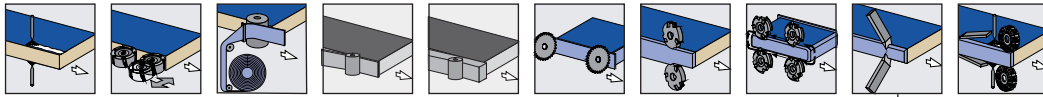
- HOMAG Finance offers optimized financing concepts based on individual business administration requirements
- The outstanding value stability of HOMAG machines offers benefits in terms of leasing and subsequent replacement investment



Technical data Ambition 2270, 2280, 2274, 2284



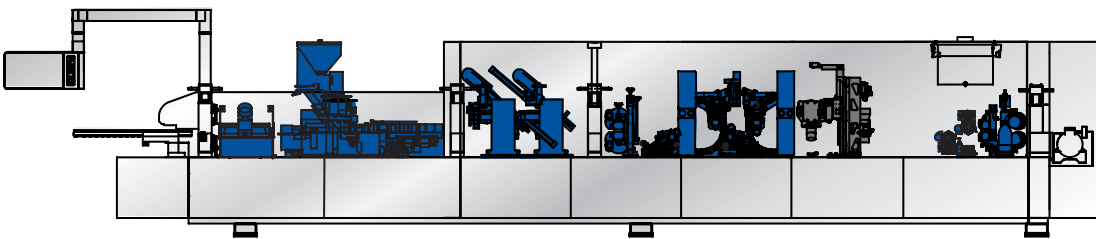
Ambition 2270



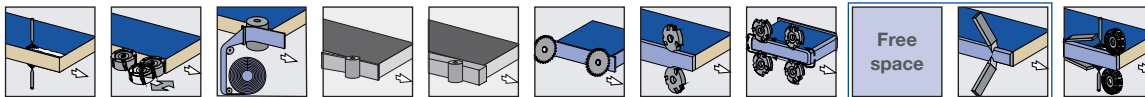
Options



Option

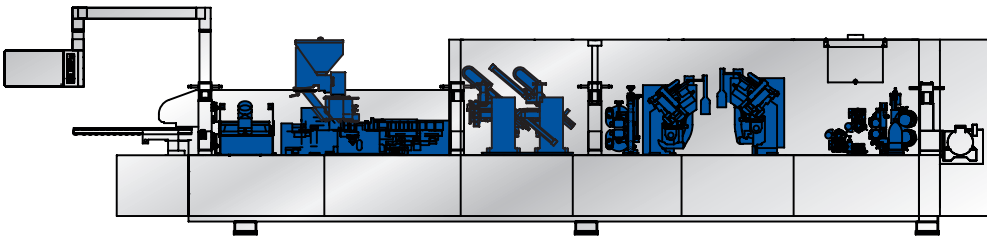
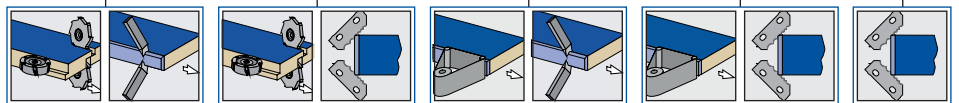


Ambition 2280

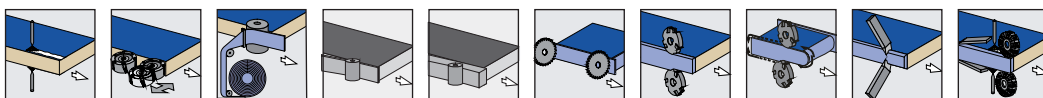


Options

Free space options



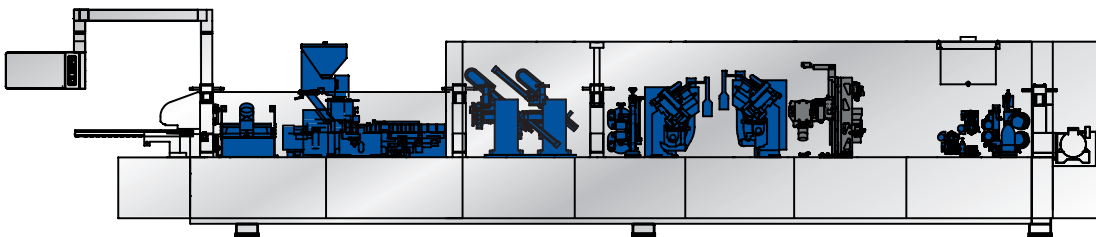
Ambition 2274



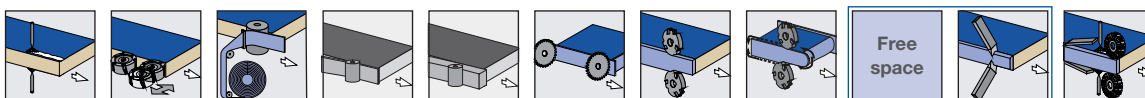
Options



Option

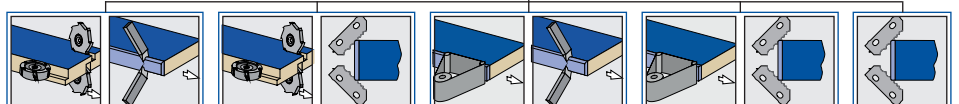


Ambition 2284



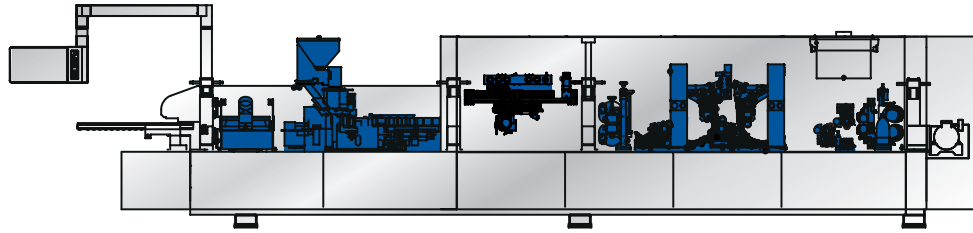
Options

Free space options

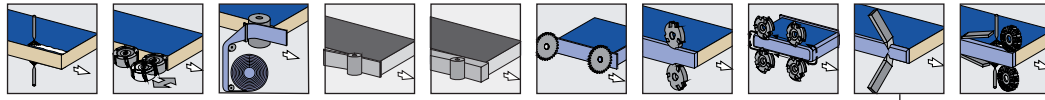


	Ambition 2270	Ambition 2280	Ambition 2274	Ambition 2284
	Machine dimensions			
Overall length [mm]	8 365	9 365	8 365	9 365
Overall width closed [mm] / open [mm]	910/ 1 540			
Overall height closed [mm] / open [mm]	1 820/ 2 250			
Working height [mm]	950			
	Working dimensions			
Workpiece width [mm] with workpiece thickness 12–22 mm	min. 60 dependent on workpiece length			
Workpiece width [mm] with workpiece thickness 23–40 mm	min. 105 dependent on workpiece length			
Workpiece thickness [mm]	8–60			
Edge thickness, coils [mm]	0.3–3			
Edge thickness, strips / solid strips [mm]	optional 0.3–1.0 / 0.6–20			
Workpiece overhang fixed [mm]	30			
	Miscellaneous			
Adjustable feed [m/min]	18–20			
Total suction output appr. [m³/h] without options	4 450	4 450	3 830	3 830
Total suction output appr. [m³/h] with grooving unit on free space	-	6 100	-	5 480
Pressure loss appr. [Pa]	2 500			
Compressed air consumption appr. [NI/min] without options	840	840	810	810
Compressed air consumption appr. [NI/min] with grooving unit on free space	-	855	-	825
Pneumatic system [bar]	6			
Connected load [kW] without options	25 (36)	30 (41)	23 (34)	28 (39)
Connected load [kW] with grooving unit on the free space	-	30 (41)	-	28 (39)
Electrics	for public power supply all over the world			

Technical data Ambition 2470, 2480, 2474, 2484



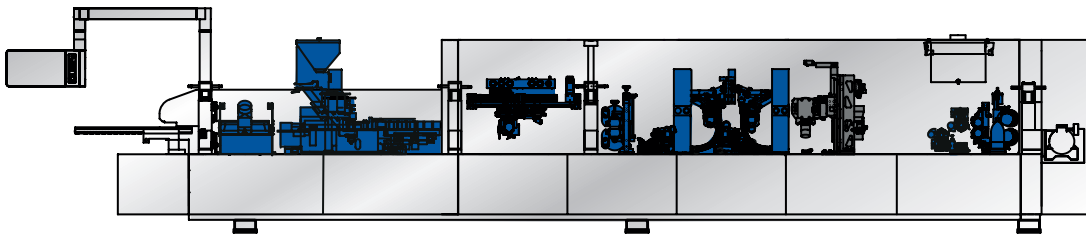
Ambition 2470



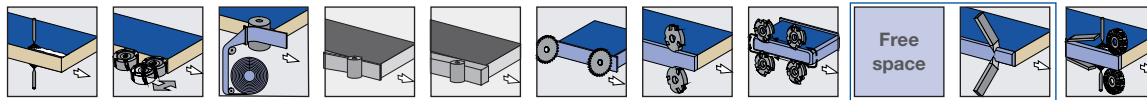
Options



Option

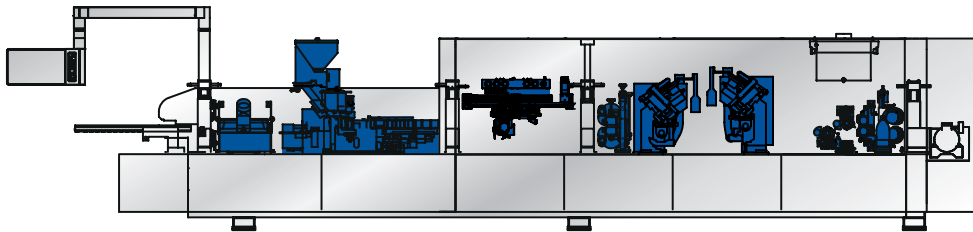


Ambition 2480

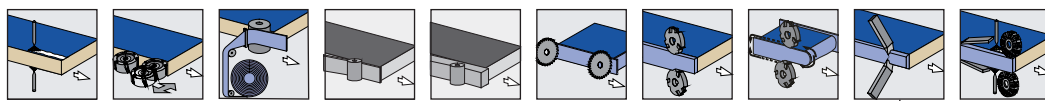


Options

Free space options



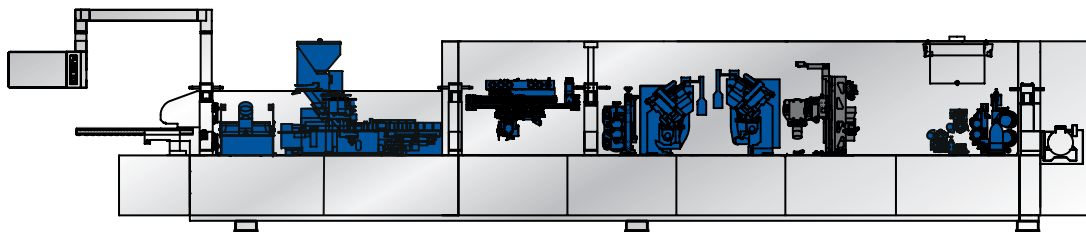
Ambition 2474



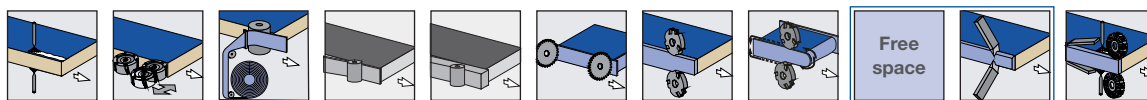
Options



Option

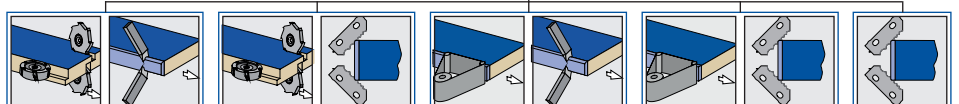


Ambition 2484



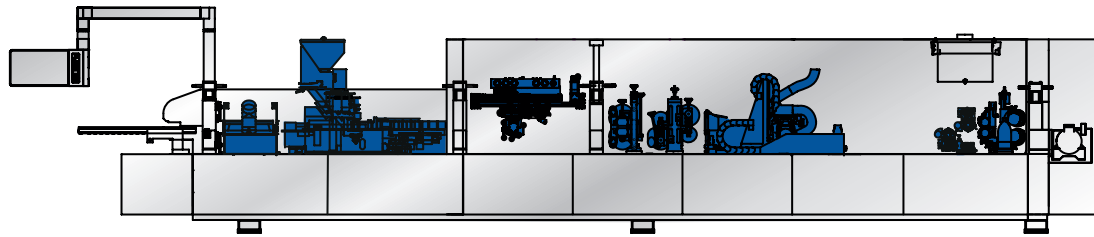
Options

Free space options

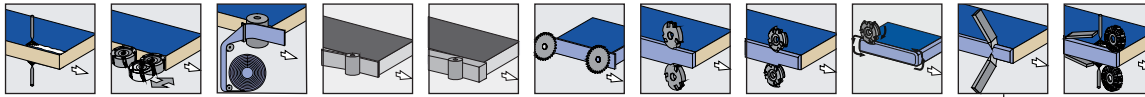


	Ambition 2470	Ambition 2480	Ambition 2474	Ambition 2484
	Machine dimensions			
Overall length [mm]	8 365	9 365	8 365	9 365
Overall width closed [mm] / open [mm]	910/ 1 540			
Overall height closed [mm] / open [mm]	1 820/ 2 250			
Working height [mm]	950			
	Working dimensions			
Workpiece width [mm] with workpiece thickness 12–22 mm	min. 60 dependent on workpiece length			
Workpiece width [mm] with workpiece thickness 23–40 mm	min. 105 dependent on workpiece length			
Workpiece thickness [mm]	8–60			
Edge thickness, coils [mm]	0.3–3			
Edge thickness, strips / solid strips [mm]	optional 0.3–1.0 / 0.6–20			
Workpiece overhang fixed [mm]	30			
	Miscellaneous			
Adjustable feed [m/min]	16–25			
Total suction output appr. [m³/h] without options	4 450	4 450	3 830	3 830
Total suction output appr. [m³/h] with grooving unit on free space	-	6 100	-	5 480
Pressure loss appr. [Pa]	2 500			
Compressed air consumption appr. [NI/min] without options	885	885	855	855
Compressed air consumption appr. [NI/min] with grooving unit on free space	-	900	-	870
Pneumatic system [bar]	6			
Connected load [kW] without options	23 (34)	29 (40)	24 (35)	31 (42)
Connected load [kW] with grooving unit on free space	-	29 (40)	-	31 (42)
Electrics	for public power supply all over the world			

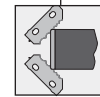
Technical data Ambition 2482, 2492



Ambition 2482

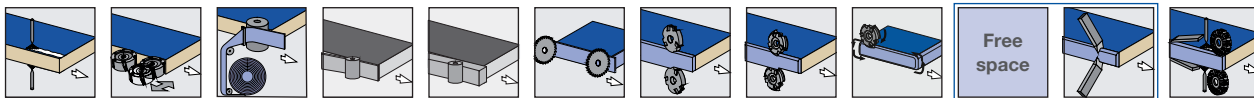
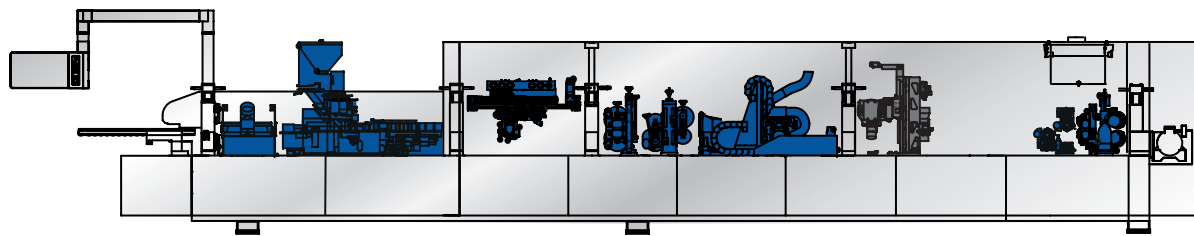


Options



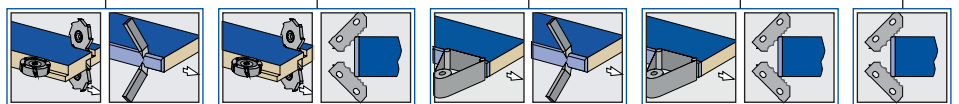
Option

Ambition 2492



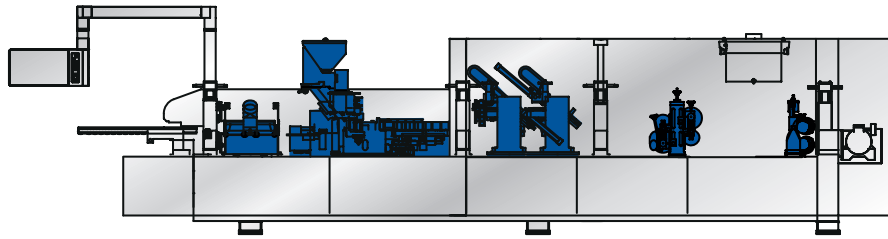
Options

Free space options

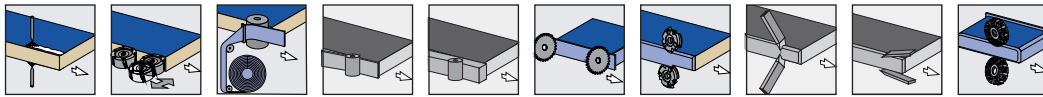


	Ambition 2482	Ambition 2492
	Machine dimensions	
Overall length [mm]	9 365	10 365
Overall width closed [mm] / open [mm]	910/ 1 540	
Overall height closed [mm] / open [mm]	1 820/ 2 250	
Working height [mm]	950	
	Working dimensions	
Workpiece width [mm] with workpiece thickness 12–22 mm	min. 60 dependent on workpiece length	
Workpiece width [mm] with workpiece thickness 23–40 mm	min. 105 dependent on workpiece length	
Workpiece thickness [mm]	8–60	
Edge thickness, coils [mm]	0.3–3	
Edge thickness, strips / solid strips [mm]	optional 0.3–1.0 / 0.6–20	
Workpiece overhang fixed [mm]	30	
	Miscellaneous	
Adjustable feed [m/min]	16–25	
Total suction output appr. [m³/h] without options	4 660	4 660
Total suction output appr. [m³/h] with grooving unit on free space	-	6 310
Pressure loss appr. [Pa]	2 500	
Compressed air consumption appr. [NI/min] without options	795	795
Compressed air consumption appr. [NI/min] with grooving unit on free space	-	810
Pneumatic system [bar]	6	
Connected load [kW] without options	31 (42)	35 (46)
Connected load [kW] with grooving unit on free space	-	35 (46)
Electrics	for public power supply all over the world	

Technical data Ambition 2660, 2670, 2671

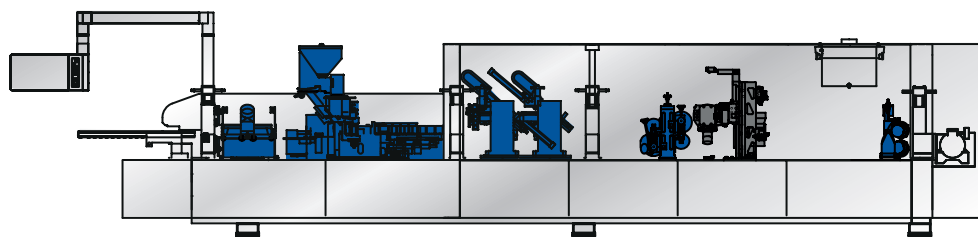


Ambition 2660

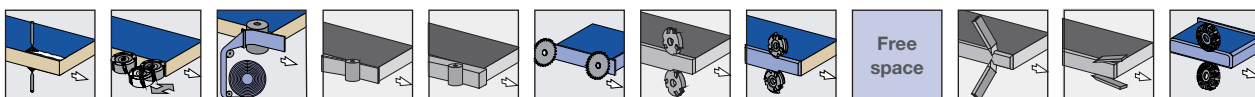


Options

Options



Ambition 2670

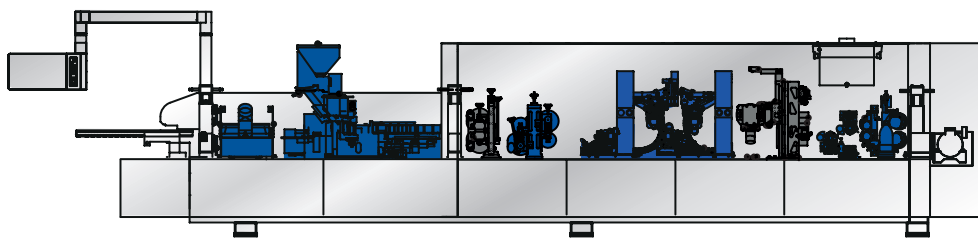


Options

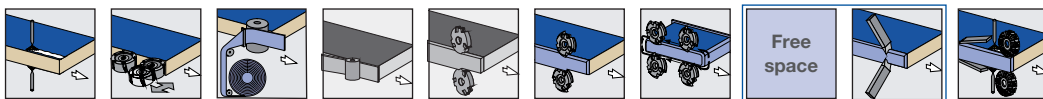
Option

Options

Free space option



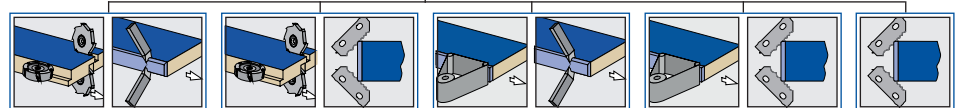
Ambition 2671



Options

Free space

Free space options



	Ambition 2660	Ambition 2670	Ambition 2671
	Machine dimensions		
Overall length [mm]	7 365	8 365	8 365
Overall width closed [mm] / open [mm]		910/ 1 540	
Overall height closed [mm] / open [mm]		1 820/ 2 250	
Working height [mm]		950	
	Working dimensions		
Workpiece width [mm] with workpiece thickness 12–22 mm		min. 60 dependent on workpiece length	
Workpiece width [mm] with workpiece thickness 23–40 mm		min. 105 dependent on workpiece length	
Workpiece thickness [mm]		8–60	
Edge thickness, coils [mm]		0.3–3	
Edge thickness, strips / solid strips [mm]	optional 0.3–1.0 / 0.6–20		optional 0.3–1.0
Panel overhang fixed [mm]		30	
	Miscellaneous		
Adjustable feed [m/min]		18–28	16–30
Total suction output appr. [m³/h] without options	4 350	4 350	5 590
Total suction output appr. [m³/h] with grooving unit on free space	-	6 000	7 240
Pressure loss appr. [Pa]		2 500	
Compressed air consumption appr. [NI/min] without options	700	700	780
Compressed air consumption appr. [NI/min] with grooving unit on free space	-	795	800
Pneumatic system [bar]		6	
Connected load [kW] without options	25 (36)	29 (40)	26 (37)
Connected load [kW] with grooving unit on free space	-	29 (40)	26 (37)
Electrics	for public power supply all over the world		



Choose the Original Choose Success!

For the Success of Original Technology
A VDMA campaign



Member of the HOMAG Group



HOMAG Holzbearbeitungssysteme GmbH

Homagstrasse 3-5

72296 SCHOPFLOCH

GERMANY

Tel. +49 7443 13-0

Fax +49 7443 13-2300

info@homag.de

www.homag.com