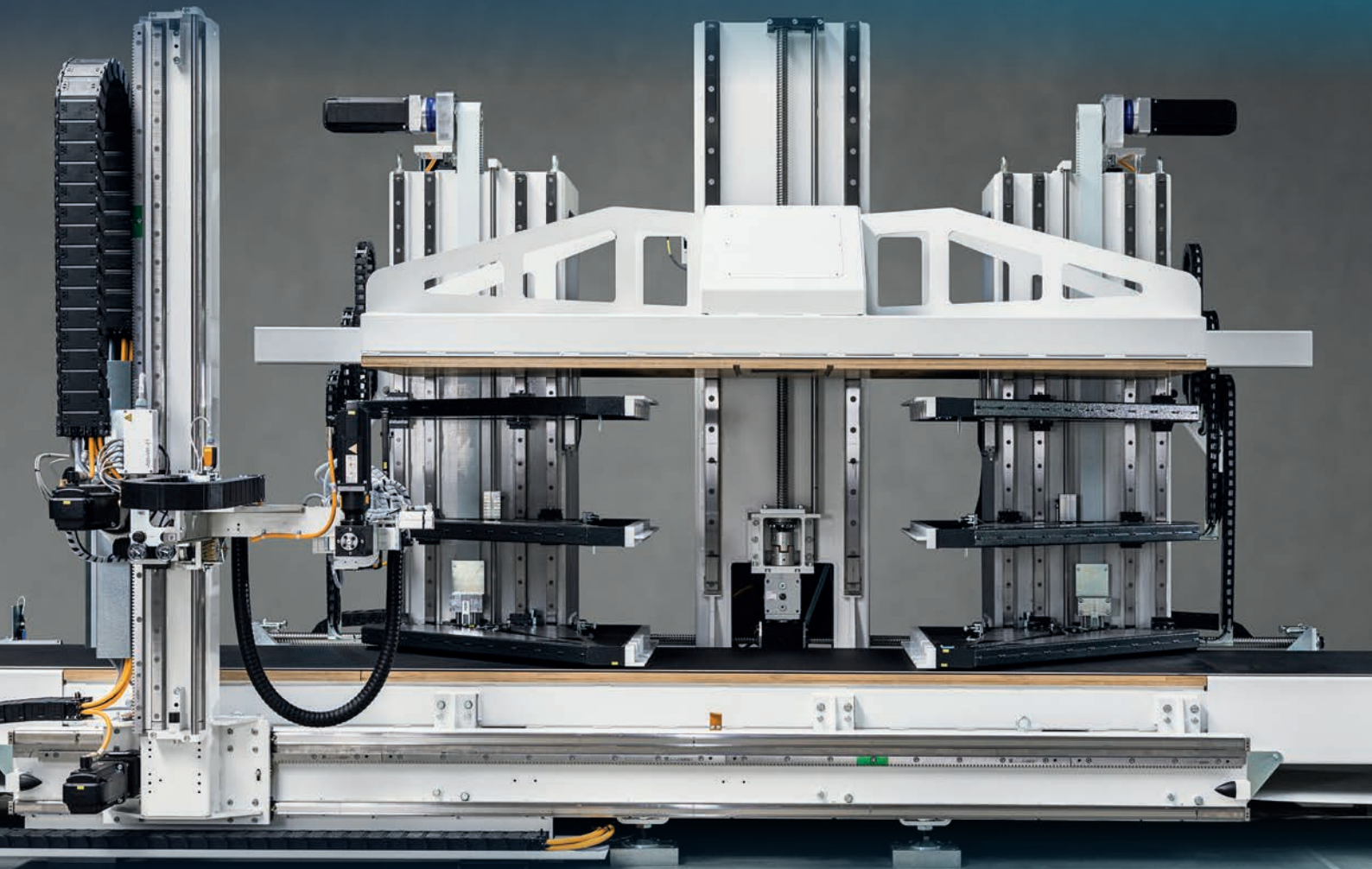


CABTEQ

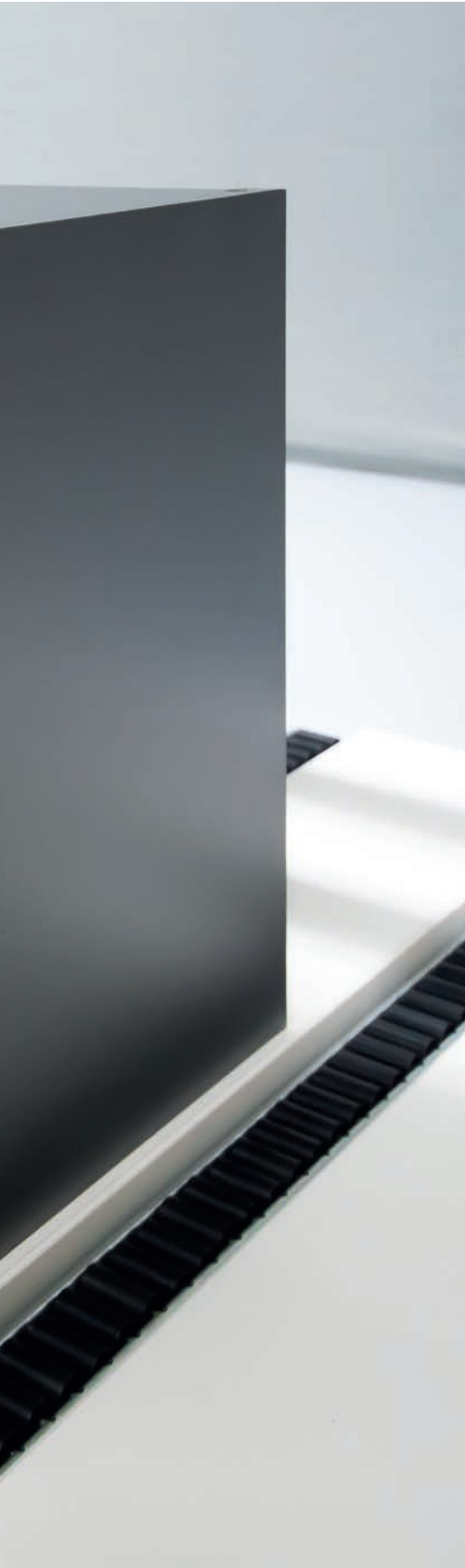
S-200 / S-250 / T-200 / T-250

Our case clamps

For cleanly pressed furniture







An elegant design. **Perfect for assembly.**

Whether they are used in furniture production, furniture building and shop fitting, or custom industrial production, the presses have impressive versatility. From one simple case clamp to a customized assembly line, we have a solution to meet your final assembly needs.

YOUR SOLUTION

MORE: [HOMAG.COM](https://www.homag.com)



Case clamps
CABTEQ

CONTENTS

- 04** YOUR SOLUTION
- 06** CABTEQ S-200
- 08** CABTEQ S-250
- 10** CABTEQ T-200
- 12** CABTEQ T-250
- 16** LifeCycleServices
- 18** Technical data



YOUR SOLUTION. For cleanly pressed furniture.

As the last step in production before packaging and delivery, the assembly quality has a significant impact on the end customer's satisfaction with the product. Whether it's a one-of-a-kind design, made-to-measure manufacturing or series production: When it comes to building kitchens, manufacturing bathrooms or producing office furniture, cleanly pressed cabinets are a key sign of quality in pre-assembled furniture. The HOMAG assembly technology product series offers the right solutions for smart final assembly.

Every case clamp has three things in common: reliability, high levels of performance and pressing quality. From the stationary case clamp to the throughfeed case clamp, the pressing force is conveyed to the cabinet according to the individual material properties. This ensures tightly pressed cabinets with the benefits of accurate squareness. The combination of ergonomics and power creates real benefits during final assembly, including ever-increasing assembly quantity and quality and a reduced workload for employees.



„As a medium-sized bathroom furniture manufacturer, we made a clear decision in favour of the CABTEQ T-250 and will soon be installing the fourth press. Different rear panel thicknesses (3 mm, 16 mm) and covered shelves are fixed reliably by means of the automatic stapler. This concept was particularly convincing for us. Tall cabinets and base units are now manufactured on a common assembly line without additional reworking. Another added value is provided by the machine software woodWOP, through simpler data creation and maintenance. In addition to the time savings in the production process, we can reduce the necessary programming effort.“

Andreas Stocker (Head of Investments), Burgbad GmbH



CABTEQ S-200

CABTEQ S-200

Solid technology at a low price.

The CABTEQ S-200 is the ideal assembly aid for pressing cabinet furniture. The practice-oriented machine design reduces the space requirement of the case clamp to a minimum. Thanks to its intuitive operation, cleanly pressed, sealed cabinets with the benefits of accurate squareness can be achieved at the touch of a button.

CABTEQ S-200 – perfect for pressing cabinet furniture.

- The CABTEQ has two speeds: an approach speed (rapid speed) and a pressing speed.
- At the touch of a button, the plates move from their starting position to the pressing position at rapid speed just before hitting the cabinet. The speed then switches to pressing speed.
- This rapid speed allows for more cabinets to be pressed per shift.
- Depending on the cabinet type, the pressing force can be adjusted to different requirements at the controller.
- Each cabinet is pressed centrally and over the entire surface.

HOW OUR CUSTOMERS CAN BENEFIT

- **High level of assembly quality**

Fully sealed, cleanly pressed cabinets that are accurately and squarely aligned

- **Intuitive operation**

No prior knowledge required

- **Low space requirements**

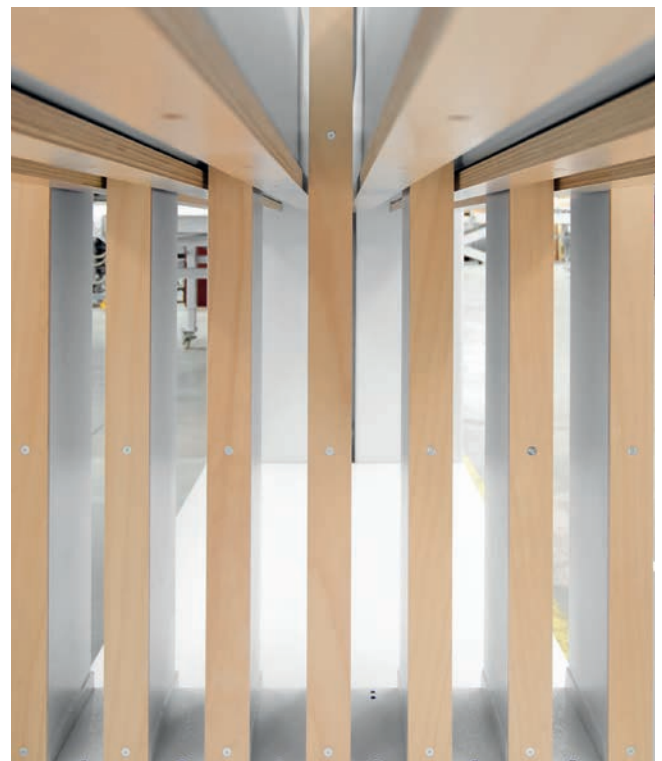
Fits in any workshop

- **Plug and play**

Install, connect and begin



Intuitive operation: Operation is simple and requires no prior knowledge — simply place the cabinet in the press and then press the start button to begin the pressing process. Install, connect and begin.



Press surfaces with tolerance compensation: The press plates function as a unit and sit on rubber feet, which provide cushioning. When the plates simultaneously reach the cabinet, the pressure is distributed completely evenly. This ensures that tolerances in the cabinet are better absorbed.



Sliding pre-plugging station: The pre-plugging station allows a simple assembly of the carcasses at working height of the press.



Manual cabinet uprighter: The cabinet uprighter is used for the uprighting and onward transport of assembled cabinets.



Operating the cabinet uprighter: By simply pulling on the lever, the cabinet uprighter aligns the pressed cabinet.

CABTEQ S-250

Power and ergonomics combine for challenging cabinet assemblies

The CABTEQ S-250 is highly versatile, with applications in the small trade sector, interior design and custom industrial production. Enhanced by an ergonomic environment, with features such as the sliding pre-plugging station and the manual cabinet uprighter, assembly is more efficient, performance can be increased and the workload of staff is markedly reduced.

CABTEQ S-250 – pressing force meets ergonomics.

- The CABTEQ has two speeds: an approach speed (rapid speed) and a pressing speed.
- At the touch of a button, the plates move from their starting position to the pressing position at rapid speed just before hitting the cabinet. The speed then switches to pressing speed.
- This rapid speed allows for more cabinets to be pressed per shift.
- Depending on the cabinet type, the pressing force can be adjusted to different requirements at the controller.
- Each cabinet is pressed centrally and over the entire surface.



Press surfaces with tolerance compensation: The press plates function as a unit and sit on rubber feet, which provide cushioning. When the plates simultaneously reach the cabinet, the pressure is distributed completely evenly.

HOW OUR CUSTOMERS CAN BENEFIT

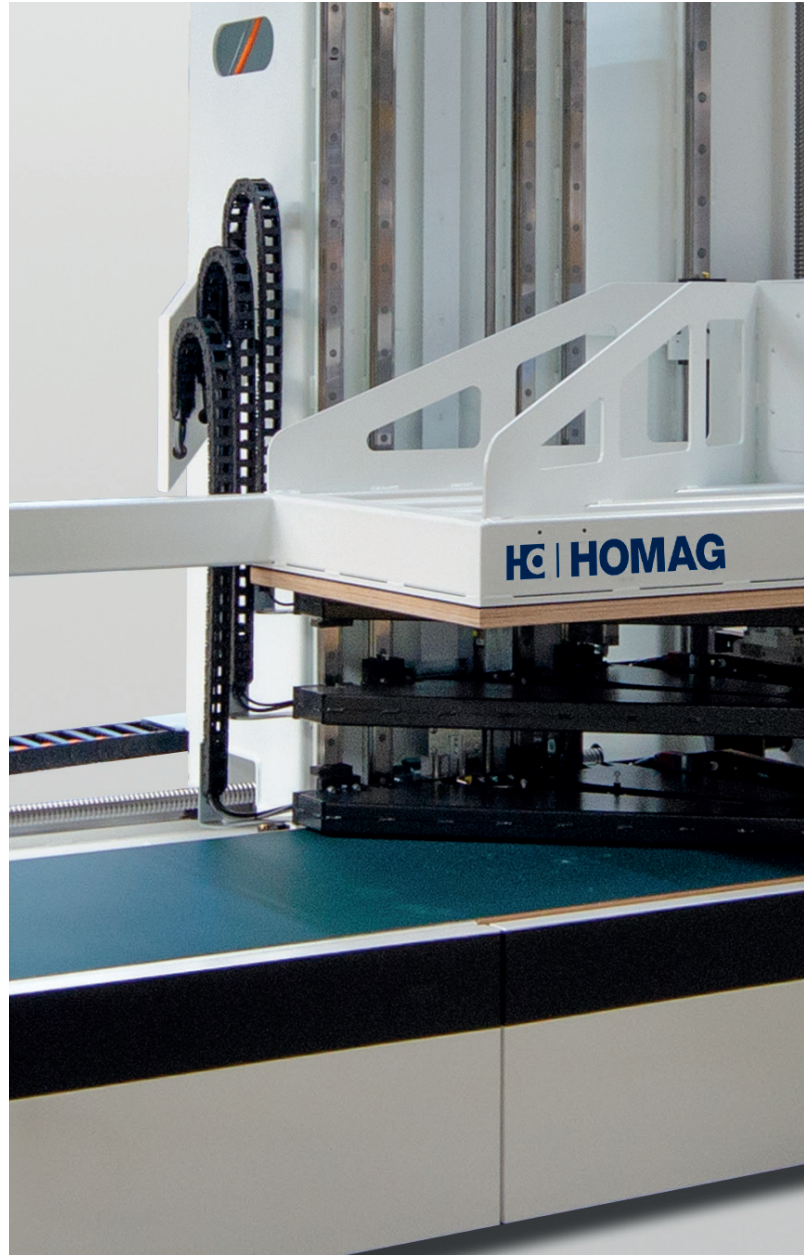
- **High level of assembly quality**
Fully sealed, cleanly pressed cabinets that are accurately and squarely aligned
- **Intuitive operation**
No prior knowledge required
- **Low space requirements**
Fits in any workshop
- **Plug and play**
Install, connect and begin
- **Ergonomic environment**
Ergonomic aids (optional) simplify the assembly process



Intuitive operation: Operation is simple and requires no prior knowledge. The cabinet is simply placed in the press before the start button is pushed. The pressing process then begins. Install, connect and begin.

CABTEQ T-200 — fully sealed cabinets from series to batch size 1 production.

- Precisely adjustable pressing force allows cabinets with delicate surfaces, thin walls and small cabinets to be pressed.
- The main dimensions, length and height, are scanned by sensors when the carcass is fed in and allow the automatic positioning of the top pressure and the lateral pressure elements.
- Pressing is carried out centrally at the zero line on the operator side, meaning that the cabinet can always be freely accessed by the operator.
- Precise ball screw drives with servo technology ensure accurate and fully automatic adjustment to different production parameters.
- Electrical rather than pneumatic counterbalancing of the press top roll pressure unit enables energy savings of up to 50 percent.

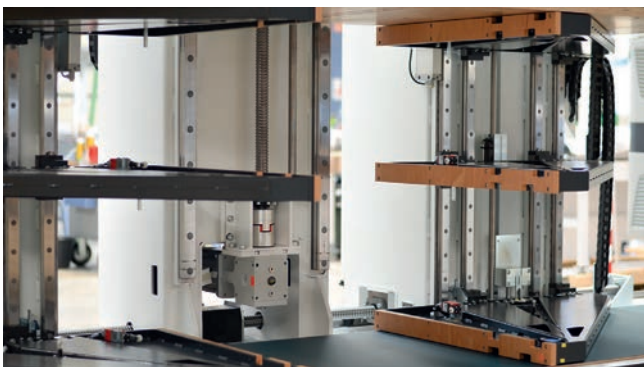


CABTEQ T-200

Flexible technology for a range of cabinets

Even for delicate or thin-walled cabinets, high-quality or miter furniture — the electric throughfeed case clamp CABTEQ T-200 automatically presses every cabinet gently and with a high level of quality. The result is perfectly right-angled, stable and cleanly pressed cabinets. The electric

throughfeed case clamp is ideally suited for use as an individual machine or in production lines, in series production, small-batch production and batch size 1 production. Ergonomic aids (optional) also simplify the assembly process.



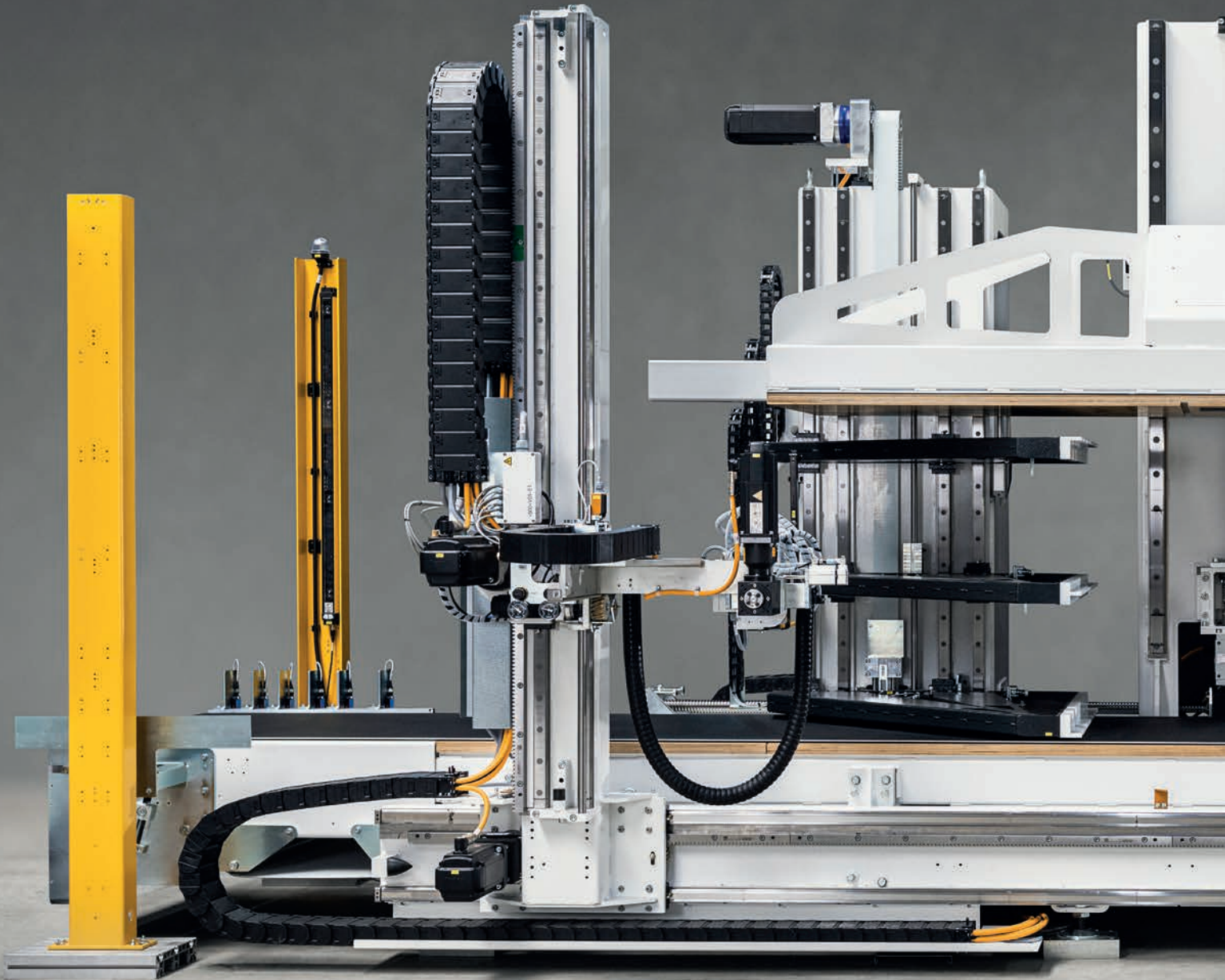
Lateral clamping plates: The clamping plates work as a unit. The pressing forces are generated electrically and can be adjusted individually. Pressure is applied vertically by a pressure plate and horizontally by the three clamping plates.



Ease of use: Operation is easy and intuitive. Built-in help and assistant functions make work more straightforward. Settings such as pressing time and pressing pressure can be entered quickly and easily by the operator via a touch monitor.

CABTEQ T-250

The throughfeed case clamp with nailing unit



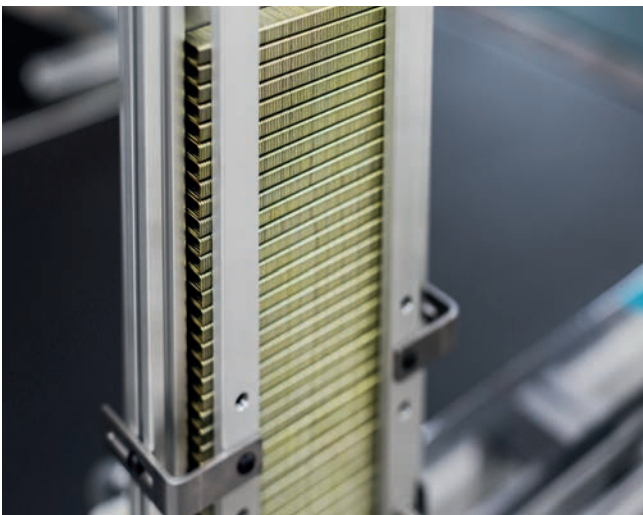




4-axis nailer



Vacuum suction in the vertical pressure beam



Reloading magazine with 10,000 staples

CABTEQ T-250 — fully sealed cabinets from series to batch size 1 production.

- Precisely adjustable pressing force allows cabinets with delicate surfaces, thin walls and small cabinets to be pressed.
- The main dimensions, length and height, are scanned by sensors when the carcass is fed in and allow the automatic positioning of the top pressure and the lateral pressure elements.
- Pressing is carried out centrally at the zero line on the operator side, meaning that the cabinet can always be freely accessed by the operator.
- Precise ball screw drives with servo technology ensure accurate and fully automatic adjustment to different production parameters.
- Electrical rather than pneumatic counterbalancing of the press top roll pressure unit enables energy savings of up to 50 percent.
- Time efficiency through automatic reloading of the staples in the magazine, which can hold up to 10.000 staples, during the furniture moving process.



Special design pressing side plates



CABTEQ T-250

Time efficiency and accuracy in throughfeed

The CABTEQ T-250 is the automated version of the T-200. The throughfeed press is additionally equipped with a nailing unit. This inserts the staples vertical to the rear wall or angle between the rear wall and the side/floor of the cabinet. State-of-the-art 4-axis servo motor technology is used here. The magazine with 10,000 staples ensures a time-efficient workflow by reloading during the moving process of the carcasses.

The vacuum suction unit in the vertical pressure beam ensures that even long workpieces are kept in balance and thus a perfect pressing result is achieved. A special version of the pressing beam is optionally available and the perfect solution for your furniture with plinth adapters. The pressing beams are equipped with L-shaped special plastic supports. In this way the plinth adapters of horizontally pressed floor or tall cabinets and the pressing capacity works on the sides.

VALYOU

Our Mission, Your Performance.

LIFE CYCLE SERVICES

Improved performance, more efficient processes, faster help, assurance of availability and smarter workin

TEAM & COVERAGE

Largest global service network in the industry with over 1,350 personnel.

INSTALLATION & COMMISSIONING

For a smooth start, we only let proven experts manage your setup.

OPERATION & CONTROL

After teaching your personnel the intuitive control system, our clever apps help to make the operator's life much easier.

MAINTENANCE & SERVICING

To keep things running, we're happy to take a preventative approach. You decide how often and how intensively you want the support to be. As we all know, prevention is better than the cure.

eSHOP & ONLINE ADVANTAGE

A few clicks and it's fixed. Receive exclusive advantages by ordering spare parts online, depending on market availability. shop.homag.com

HOTLINE & READINESS

When there's an emergency, we're here. Direct by phone, digitally via app or video, or with on-site support. We are close to you with over 90 regional service organizations worldwide. With more than 35,000 spare parts immediately available, we can deliver 85% of your orders fast.

TRAINING & EDUCATION

With classroom, live online or eLearning training, we offer flexible options to help you get knowledge. We conduct over 4,000 customer training courses every year, and we even have our own training centers in 19 countries

MODERNIZATION & IMPROVEMENT

Our modernization program is tailored to your machines and processes. We can evaluate your data and situation and advise you on the next step.

ANALYSIS & SUSTAINABILITY

On request, we analyze all your processes with proven tools and procedures (LeanSixSigma). We have a large, certified team of experts for this purpose.

FINANCING & CONSULTING

We offer you tailor-made financing concepts worldwide. With more than 60 years of experience and a close partner network of prominent banks and insurance companies to help us to find the right solution for you, we're always transparent and reliable in processing.



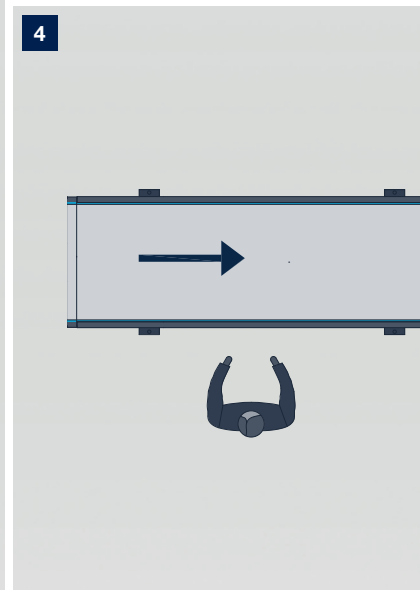
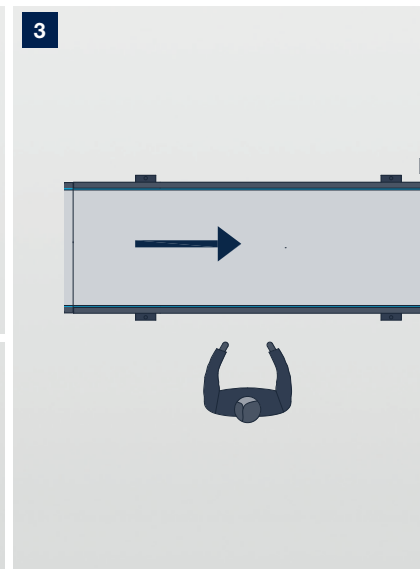
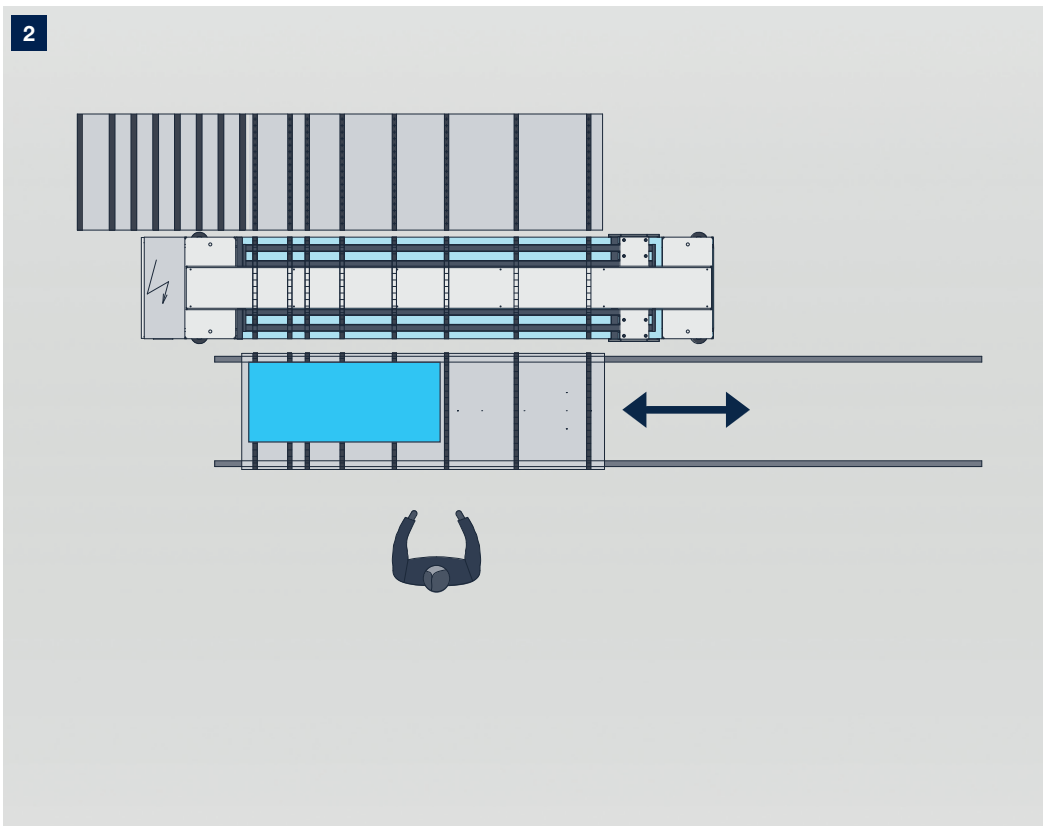
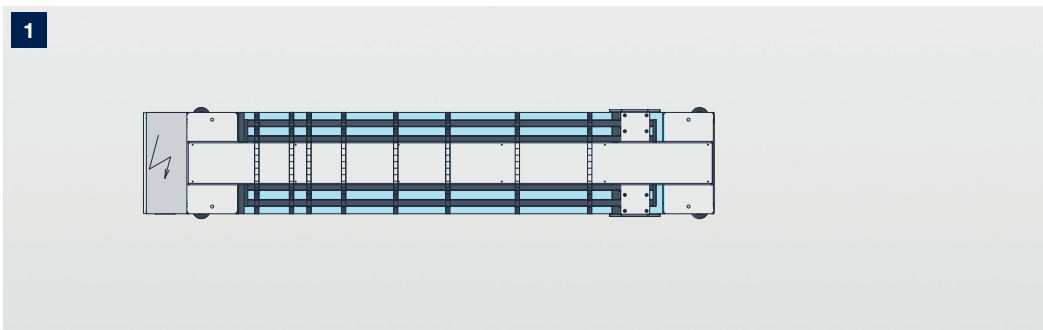
Fast support:
94% resolution rate
via our hotline

Close to you:
1,350 service experts worldwide

We get things moving:
Over 1,000 worldwide spare parts
shipments each day

No one else has that:
Electronic documentation on over
150,000 machines, available in 28
languages

TECHNICAL DATA	CABTEQ S-200	CABTEQ S-250	CABTEQ T-200	CABTEQ T-250
Cabinet dimensions				
Cabinet length	150 – 2,500 mm	150 – 2,500 mm (3,000 mm)	250 – 2,500 mm (3,100 mm)	250 – 2,500 mm
Cabinet width	250 – 700 mm	250 – 700 mm (900 mm)	120 – 800 mm (1,000 mm)	120 – 800 mm (1,000 mm)
Cabinet height	150 – 1,400 mm	150 – 1,400 mm	220 – 1,320 mm	220 – 1,320 mm (1,600 mm)
Pressing pressure				
vertical	max. 12 – 18 kN	max. 12 – 18 kN	max. 30 kN	max. 30 kN
horizontal	max. 12 – 18 kN	max. 12 – 18 kN	max. 15 kN	max. 15 kN

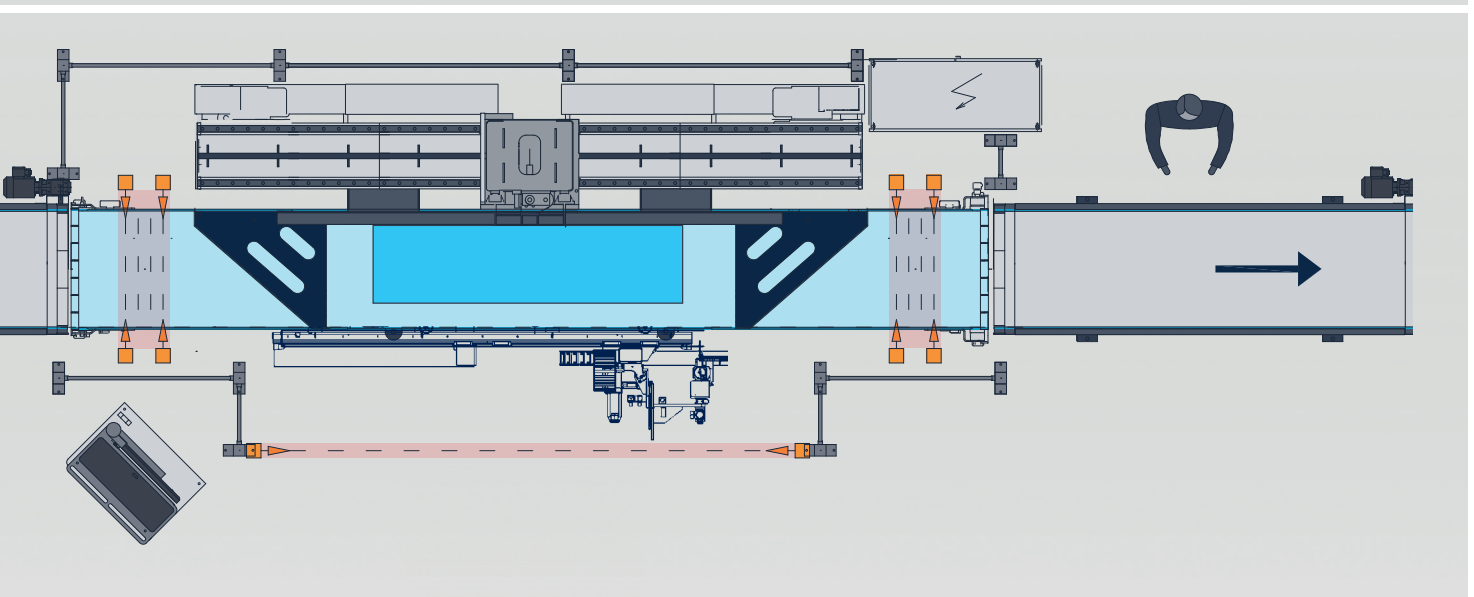
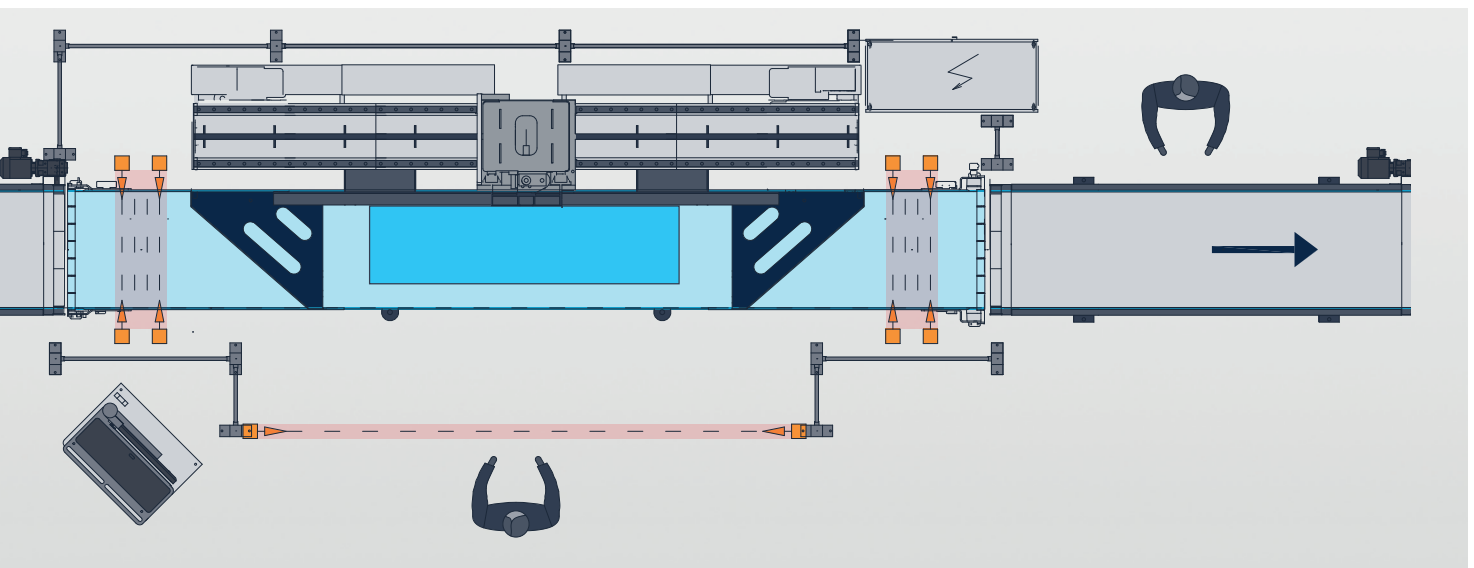


1 CABTEQ S-200
 • Solid technology at a low price

2 CABTEQ S-250
 • Power and ergonomics for challenging cabinet assemblies

3 CABTEQ T-200
 • Flexible technology for a range of cabinets

TECHNICAL DATA	CABTEQ S-200	CABTEQ S-250	CABTEQ T-200	CABTEQ T-250
Processing height	300 mm	300 mm	500 mm	500 mm
Weight	approx. 2,2 t	approx. 2,2 t	5,0 – 6,0 t	6,0 t
Positioning speed				
Rapid speed	50 mm/s	50 mm/s	-	-
Slow speed	25 mm/s	25 mm/s	-	-
Transports feed	-	-	12 – 40 m/min	12 – 40 m/min
Operating pressure	-	6 bar	6 bar	6 bar



4 CABTEQ T-250

- Nailing unit with automatic reloading function

MORE: HOMAG.COM



Case clamps
CABTEQ



HOMAG Group AG
info@homag.com
www.homag.com

YOUR SOLUTION