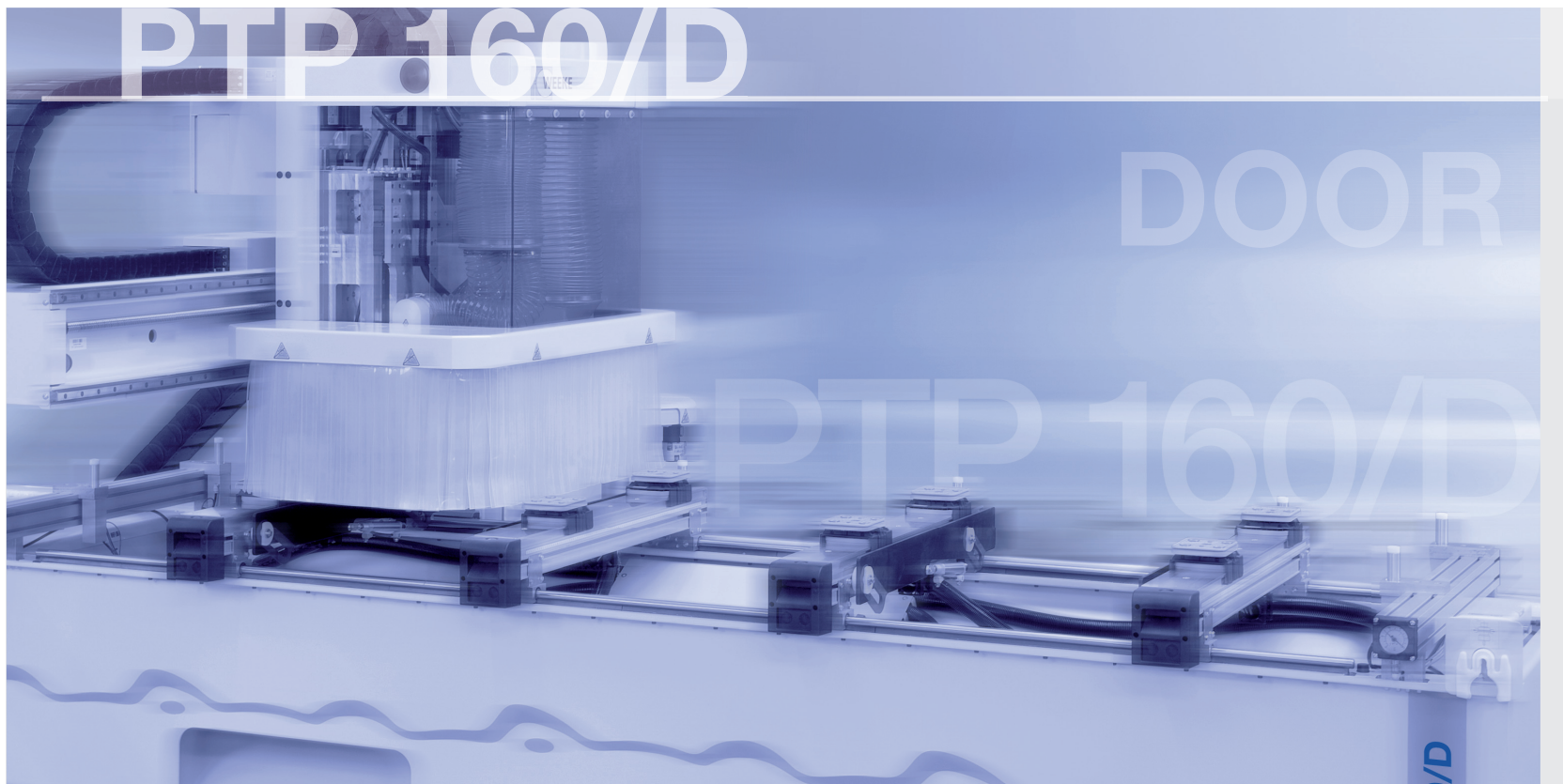


# CNC-Processing Center



# PTP 160/D

# DOOR



8-fold tool changer in standard version



■ 8-fold tool changer moving in X-direction

K-table



Tubeless vacuum clamping system

Controlled dust extraction channel

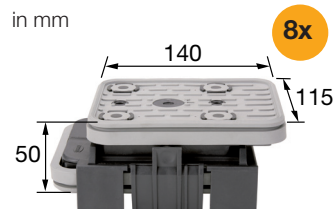


The moveable channel realizes a very efficiency dust extraction – active where it is needed

## All inclusive – »Standards«

### Vacuum cups

in mm



8 vacuum cups

### Workpiece feeding rail



4 solid feeding rails to ease »sheeting« of heavy workpieces

### Tool pick-up station



Secure and quick fitting of the tool changer

### Sealed energy cable



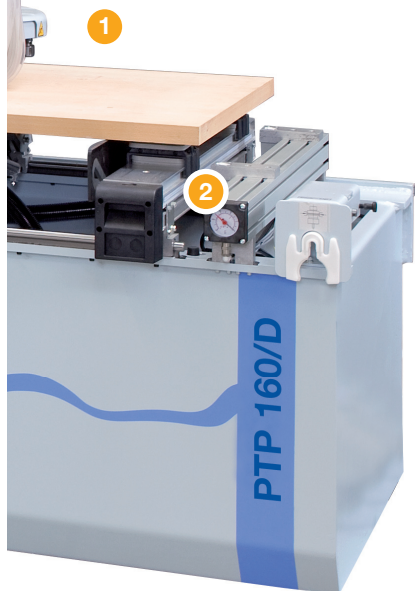
Secure and protected cable guide (X-Y-Z)

### Air-conditioning



Air-conditioned cabinet

Pictures may also show options



## Highlights:

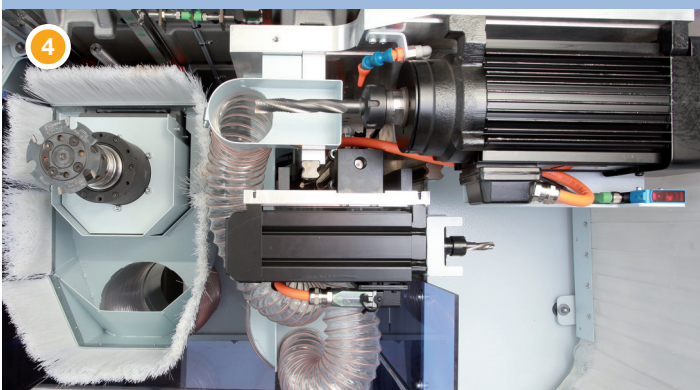
- Vector speed X/Y 80 m/min
- 2 CNC-controlled Z-axes
- K-table – tubeless vacuum clamping system
- 16 HP (12 kW) HSK routing spindle
- 8 HP (6kW ) horizontal routing spindle, ER 32
- 2,6 HP (1,9 KW ) horizontal routing spindle, ER 20
- 8-fold tool changing system incl. tool pick-up station
- Software bundle for machine and PC

### power control PC85



- 17" TFT-monitor
- USB frontside bus
- Ethernet connection 10/100 Mbit
- Ergonomic hand terminal
- Position of the switch cabinet »freely selectable« (left/right)

### Configuration



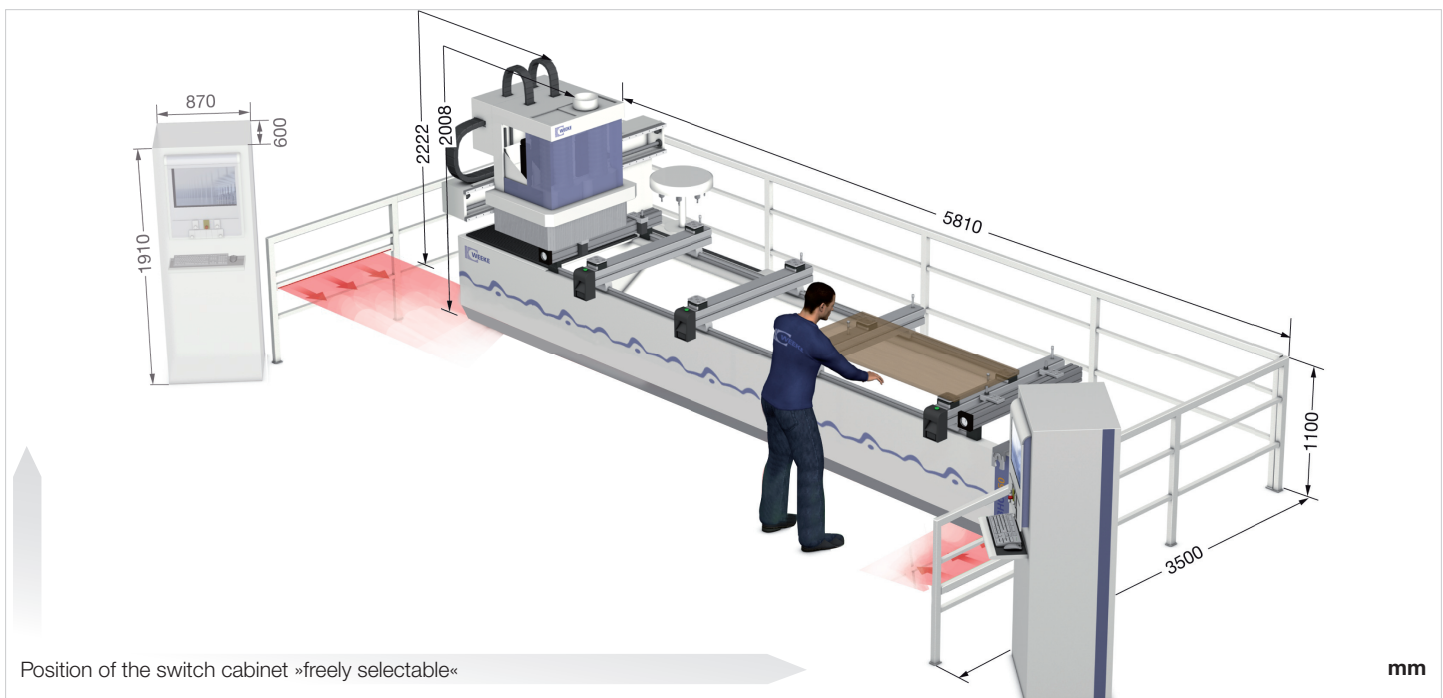
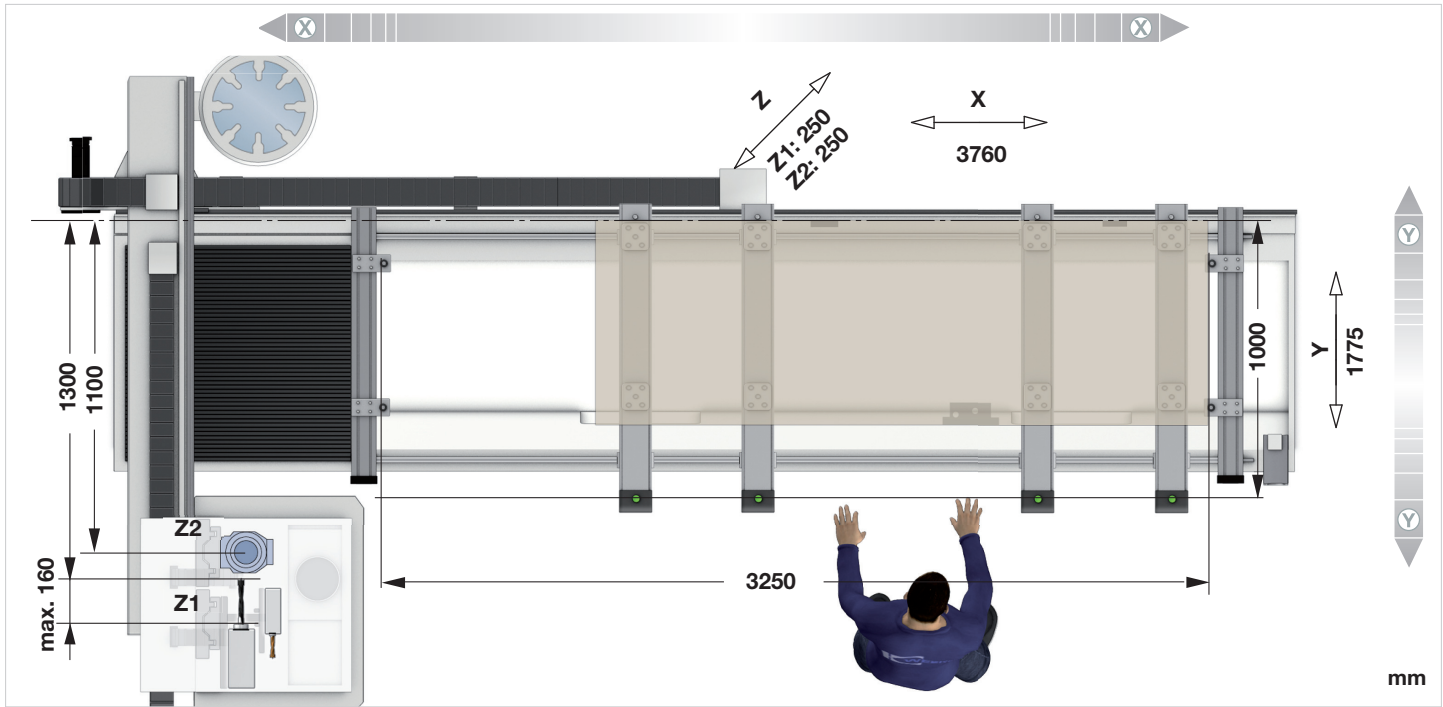
- Powerful 16 HP (12 kW) HSK routing spindle
- Powerful 8 HP (6 kW) HSK routing spindle
- Powerful 2,6 HP (1,9 kW) HSK routing spindle

### PTP 160/D



- Best quality in door-processing

# Technical data



	X	Y	Z
Working field	3250	1000	100
Travel range	3760	1775	Z1: 250 Z2: 250
	mm		

Electrical connection	Voltage 380V   50 Hz   3 Phases
Vector speed	m/min (X - Y) 80 - (Z) 20
Compressed air connection	inch R 1/2
Compressed air required	bar 7
Dust extraction port	mm Ø 200
Dust extraction volume	m3/h min. 3170
Total machine weight	kg appr. 4000
Electrical power – total connection load	kW 20,5
Switch cabinet L - W - H	mm 600 - 870 - 1910

## Contact



**WEEKE Bohrsysteme GmbH**  
Benzstrasse 10-16  
33442 Herzebrock-Clarholz  
GERMANY  
Tel.: +49 5245 445-0  
Fax: +49 5245 445-44 139  
info@weeke.de – www.weeke.de