

Options book
Sliding table saws

MARTIN

www.martin.info

Alongside the basic equipment sliding table saws from MARTIN have numerous, useful and also patented options, which perfect your workpiece and add value to your machine.

Easily configure your MARTIN sliding table saws comfortably to your individual wishes online on our Website **www.martin.info**



Control technology Cutting width	10
Cutting height Sliding-table length Sliding-table drive	12
Motor power Continuous rotational speed control Special voltages Rip fence	14
Scoring saws	16
Standard cross-cut table Mitre cross-cut table	18
Cross-cut fence	20
Angle cutting systems	22
Double mitre fence Support extension	24
Eccentric and pneumatic clamper Pneumatic pressure bar	
Workpiece clamping system	26
Clamping and stop systems Edging device	28
Laser cutting line indicator On/off switch	30
Minimal quantity cooling lubrication device Guard	31

T60A



The ideal introduction to the Premium Compact Class.

The compact construction also ensures high effectiveness in smaller rooms. We bet: You will be impressed by the quietly running saw blade, the precisely running sliding table or the superbly operating rip fence.

After the most important features a good sliding table saw is required, many users named properties such as “quiet running saw blade”, “precise running sliding table” or “easy to operate rip fence”. The T60A offers you these – and a whole lot more.



Configure your
T60A yourself.

T60C



The new all-rounder in the Compact Class.

The T60C is the ideal introduction into the Premium Compact Class, it offers the perfect balance between price and performance, since all key components of the T60C are designed as you would expect from a MARTIN machine. In an area where a higher price does not necessarily mean better performance, the T60C is deliberately intended to be a more compact offering. Purposeful machine construction, paired with control technology that is reduced to the fundamentals make the T60C an excellent partner for anyone looking for a cost-effective way to enter the premium saw class.



Configure your
T60C yourself.

T65



The perfect combination of tradition
and innovation in the Premium Compact Class.

With the T65 MARTIN has redefined the Premium Compact Class. As the T65 combines traditional operation with state-of-the-art electronic support. So it offers you quick, precise and therefore rational operation.

The tried and tested 5.7" touchscreen controller sits at eye level and supports you in situations giving you an overview of all your operation and work processes. Robust mechanics and sophisticated control technology combine to create a greater whole. As MARTIN is not just setting standards in technology, but in operation as well.



Configure your
T65 yourself.

T70



A classic that has set standards for us.
And now for you too.

Like every MARTIN, the T70 is built for robust performance inside and out. The solid mechanics perfectly complement the unique ease of use of the sophisticated 10.4" touchscreen controller.

Because we don't just set standards in technology, but in operation as well: You are supported in all operational and work processes according to the situation – customised on request.



Configure your
T70 yourself.

T75 PreX



When you want to bequeath
a classic to the next generation today.

We have built a lot of innovations into this premium machine, so that you have complete freedom. With the T75 PreX, for example, you have the freedom to perform each angle cut on the cross-cut fence and rip fence exactly as required for your tasks and the workpiece being machined. You can do this because for the first time we have combined a cutting height of more than 200 mm with a tilting range of 2x46°.



Configure your
T75 PreX yourself.



Technical Data

T60A

T60C

Motor power optional	4.0 kW 5.5 kW 7.5 kW	5.5 kW 7.5 kW
Cutting height	87.5 mm optionally 130 mm	130 mm
Saw blade tilting	46°	46°
Saw blade diameter	315 mm optionally 400 mm	400 mm
Speed optional	5,000 rpm 4,000 4,800 6,000 rpm	4,000 4,800 6,000 rpm –
Main saw blade change	ProLock	ProLock
Blade thickness	max. 6 mm special tools up to 15.3 mm (0°)	max. 6 mm special tools up to 15.3 mm (0°)
Cutting width optional	850 mm 1,350 mm	1,350 mm 850 mm
Sliding table length optional	3.0 m 1.9 3.3 3.7 m	3.0 m 1.9 3.3 3.7 m
Control	–	3.5" screen control
Display resolution	0.1°	0.1 mm 0,1°
Control panel	in frame	at eye level
Cutting angle/height	Electrically via push button (rapid speed or creep speed), incl. digital display of the tilting angle	controlled
Cutting width	manually, by scale with fine adjustment	via hand wheel incl. digital dimension indicator
Extraction connection	120 mm on frame 60 mm on riving-knife guard	120 mm on frame 100 mm on protective hood
Weight	approx. 1,300 – 1,450 kg	approx. 1,350 – 1,500 kg

Dimensions and specifications subject to technical innovation and may be changed without notice.
Illustrations may differ from the original. The binding technical features and equipment are given in
the applicable price list.



T65

T70

T75 PreX

5.5 kW 7.5 kW 11.0 kW	5.5 kW 7.5 kW 11.0 kW	7.5 kW 9.5 kW 11.0 kW
204 mm	204 mm	204 mm +45°: 134 mm - 45°: 125 mm
46°	46°	± 46°
550 mm	550 mm	550 mm
2,800 4,000 5,000 rpm 2,000 – 6,000 rpm continuous	2,800 4,000 5,000 rpm 2,000 – 6,000 rpm continuous	3,800 rpm 2,000 – 6,000 rpm continuous
ProLock	ProLock	ProLock
max. 6 mm special tools up to 20.0 mm (0°)	max. 6 mm special tools up to 20.0 mm (0°)	max. 6 mm
850 mm 1,100 1,350 1,600 mm	850 mm 1,100 1,350 1,600 mm	850 mm 1,100 1,350 1,600 mm
3.0 m 1.9 3.3 3.7 4.3 5.1 m	3.0 m 1.9 3.3 3.7 4.3 5.1 m	3.0 m 1.9 3.3 3.7 4.3 5.1 m
5.7" touchscreen	10.4" touchscreen	10.4" touchscreen
0.1 mm 0,1°	0.1 mm 0,1°	0.1 mm 0,1°
at eye level, inclined, 2x rotation	at eye level, inclined, 2x rotation	at eye level, inclined, 2x rotation
controlled	controlled	controlled
manually, by scale with fine adjustment optionally by hand wheel including digital dimension indicator, controlled	controlled	manually, by scale including digital dimension indicator optionally controlled
120 mm on frame 100 mm on protective hood	120 mm on frame 100 mm on protective hood	120 mm on frame 100 mm on protective hood
approx. 1,600 – 2,100 kg	approx. 1,600 – 2,100 kg	approx. 1,600 – 2,100 kg

The machines generate very little dust as per BGI 739-1 Annex 1.

All dimensions in millimetres. Manufactured in Germany.



Operation | control

Control technology

Depending on the model you operate the machine via buttons, a screen controller or a touchscreen controller. In particular the touchscreen control system ensures highest operating comfort and targeted, quick and safe operation of the machine.

To use	T60A	T60C	T65	T70	T75 Prex
3.5" (89 mm) screen control	*	Standard	–	–	–
5.7" (145 mm) touchscreen control			Standard	–	Standard
10.4" (264 mm) touchscreen control				Standard	T7510

*Operating elements inside frame



3.5" screen control



5.7" screen control



10.4" touchscreen control



T60A control panel

Cutting widths

The standard cutting width of the MARTIN sliding table saw is 850 mm. Depending on the machine this can be extended to 1,600 mm. The table extensions are always performed in high quality materials (stainless steel, aluminium, cast iron).

Cutting width in mm	T60A	T60C	T65	T70	T75 Prex
850	Standard	T60C10	Standard	Standard	Standard
1,100	–	–	T6509/2	T7009/2	T7509/2
1,350	T60A10/1	Standard	T6509/3	T7009/3	T7509/3
1,600			T6509/4	T7009/4	T7509/4



T7x stop with 1,350 mm cutting width



T6x stop with 1,100 mm cutting width

Cutting height

Depending on model the cutting heights vary between 87.5 and 204 mm, the saw-blade diameters required for this lie between 315 and 550 mm. So you have the option of selecting this important machine feature exactly according to your requirements.

Cutting height	T60A	T60C	T65	T70	T75 Prex
max. 87.5 diameter 315	Standard	–	–	–	–
max. 130 diameter 400	T60A18	Standard	–	–	–
max. 130 (NON-CE option)* diameter 400	T60A18/1	–	–	–	–
max. 204 diameter 550			Standard	Standard	Standard

*Please note that the NON-CE option does not meet the CE regulations!



Riving-knife guard



T60C guard



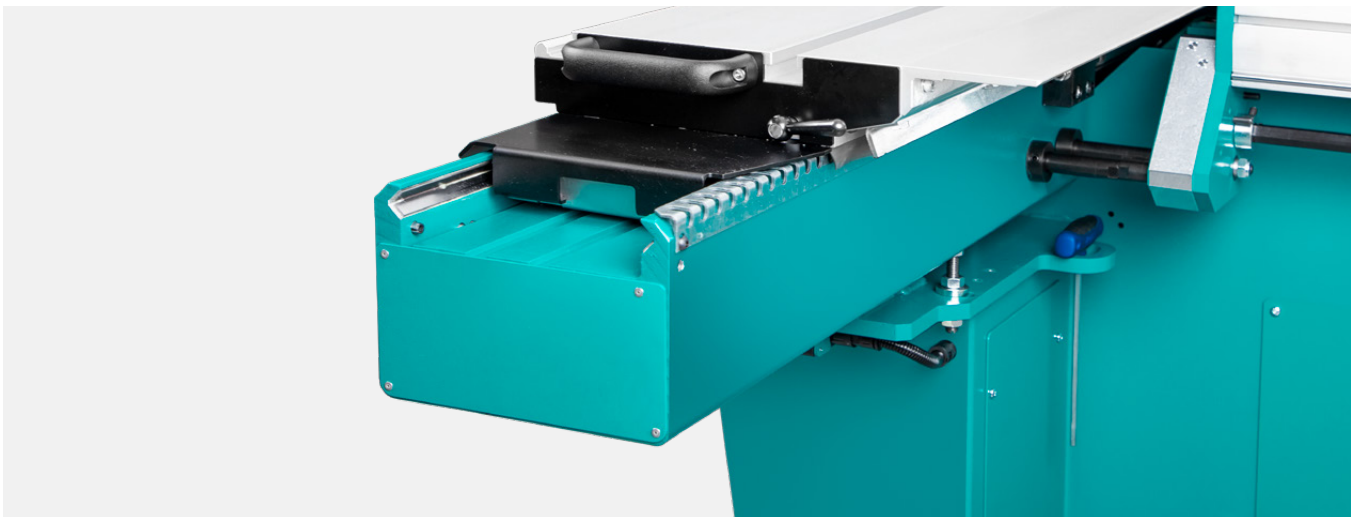
T65 | T70 | T75 guard

Sliding table

Sliding-table length

At MARTIN the sliding-table length always corresponds to the table length, the 3.0 m table is standard. All tables can be put into any position, the table lip can always be replaced.

Sliding-table length in m	T60A	T60C	T65	T70	T75 Prex
1.9	T60A01	T60A01	T6501	T7001	T7508/1
3.0	Standard	Standard	Standard	Standard	Standard
3.3	T60A01	T60A04	T6504	T7004	T7508/4
3.7	T60A01	T60A05	T6505	T7005	T7508/5
4.3			T6507	T7007	T7508/6
4.3 – 5.1			T6506	T7006	T7508/8



Sliding-table detail

Electronic sliding-table drive

The motor-driven sliding table convinces with its even feed, ensures the perfect cutting results and saves on expensive reworking of workpieces.

Even solid woods, plywoods or chipboards and special materials, such as plastics or non-ferrous metal plates can be effortlessly and safely sawn thanks to this powerful assistant. Here an ideal extension of the system is the pneumatic pressure bar or the VacuSlide vacuum clamping system.



Sliding-table drive

Sliding-table drive	T65	T70	T75 Prex
Motorised sliding table	T6571	T7071	TT7571

Drive

Motor power

The standard motor rating is 4.0 or 5.5 kW depending on model. Depending on the model motor ratings of up to 11 kW can be delivered. Please note that not all motor ratings can be delivered for all special voltages.

kW (hp)	T60A	T60C	T65	T70	T75 Prex
4.0 (5.5)	Standard	–	–	–	–
5.5 (7.5)	T60A18	Standard	Standard	Standard	–
7.5 (10)	T60A15	T60C15	T6516	T7016	Standard
11 (15) S6-75 %			T6503	T7003	–

Continuous speed control

This drive enables you continuous adjustment of the main saw blade between 2,000 – 6,000 rpm.

This option is always delivered with the powerful 7.5 kW motor or the power named. Please note that this option can only be delivered for certain voltage supplies.

kW (hp)	T60A	T60C	T65	T70	T75 Prex
7.5 (10)	–	–	T6576	T7076	T7502
9.5 kW (13) S6-60 %					T7508/6
11 kW (15) S6-40 %					T7508/8

Special voltages

Depending on which area of the world you are located in your MARTIN machine must be delivered with the suitable voltage supply. Please note that not all motor ratings can be delivered for all voltage varieties!

Special voltage 3 ~	T60A	T60C	T65	T70	T75 Prex
230 Volt / 50 Hz	T60AV_230	–	T65V_230	T70V_230	T75V_230
210 – 240 Volt / 60 Hz	T60AV_220	T60CV_220	T65V_220	T70V_220	–
440 – 480 Volt / 60 Hz	T60AV_440	T60CV_440	T65V_440	T70V_440	T75V_440

Rip fence

The rip fence of our sliding table saws is delivered in different designs depending on the model.

Rip fence can be adjusted by hand according to scale

The easy running rip fence can be set quickly and precisely via scale. On the T60A and T65 even with fine adjustment

Digital display of the cutting width

The digital display which moved with the fence or sits in the control system significantly facilitates the precise setting of the fence.

Positioning of the rip fence via hand wheel

With the hand wheel adjustment you control the fence jaw from the operating position – without electronic control. The digital display in the control enables precise settings to the tenth of a millimetre.

Motorised positioning of rip fence

The dimensional indicator is performed via scale and the digital display in the control system. The fence of T70 and T75 can also easily be moved by hand and lowered below the table level in the end position. The motorised fences of T60C Automatic and T65 can simply be removed if necessary.

Rip fence pneumatically lowerable

This option enables the controlled lowering of the rip fence on the T70 and T75 from the operating position, not available for 850 mm cutting width.

Rip fence	T60A	T60C	T65	T70	T75 Prex
Rip fence can be adjusted manually	Standard	–	Standard	–	Standard
Digital display of the cutting width	T60A12	Standard	T6512	Standard	Standard
Hand wheel	T60A13	Standard	T6589	–	–
Electric motor positioning	–	Standard*	T6590	–	T7511
Rip fence pneumatically lowerable				T7074	T7574

*Standard with T60C Automatic



Moving digital display of the cutting width



Hand wheel with clamp T6x



Electric motorised rip fence T6x



Electric motorised rip fence T7x

Scoring saws

All models of MARTIN sliding table saws can be delivered with optional scoring-saw units. There are 2 and 3-axes systems available to choose from depending on model.

2-axis scoring saw of the T60A

The scoring saw can be set without tools, quickly and easily on 2-axes via an electric pushbutton. With it you define the scoring position and height, the scoring width is traditionally regulated with spacer disks. Raising and lowering of the system takes place quickly and easily pneumatically.

2-axis scoring saw for T60C and T70

The 2-axes system is characterised by an impressive operating comfort. Thanks to its intelligent integration in the control system the system adjusts its left/right position completely automatically to the right cutting edge of the main saw blade used, you simply enter the scoring height electronically. As in all traditional systems the scoring width must be adjusted with the machine at a standstill.

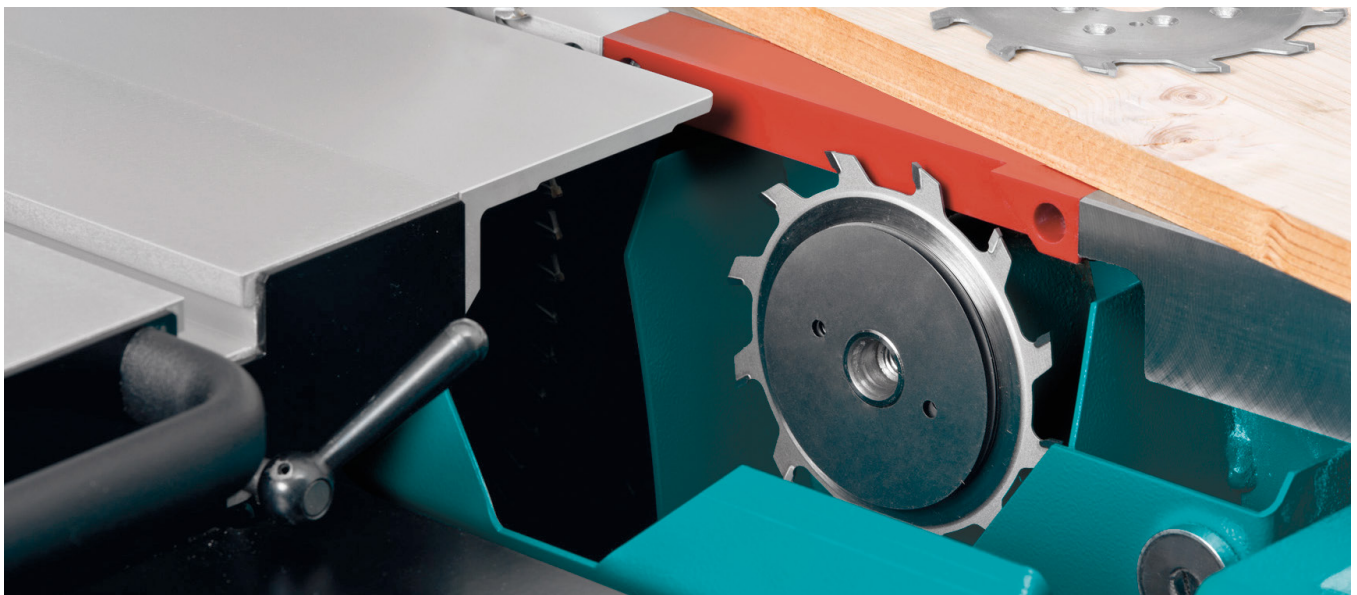
ScribeMaster scoring-saw system for 2-axes scoring-saw unit

The system allows the scoring width to be set easily while the blade is inactive.

3-axes scoring saw for T65, T70 and T75

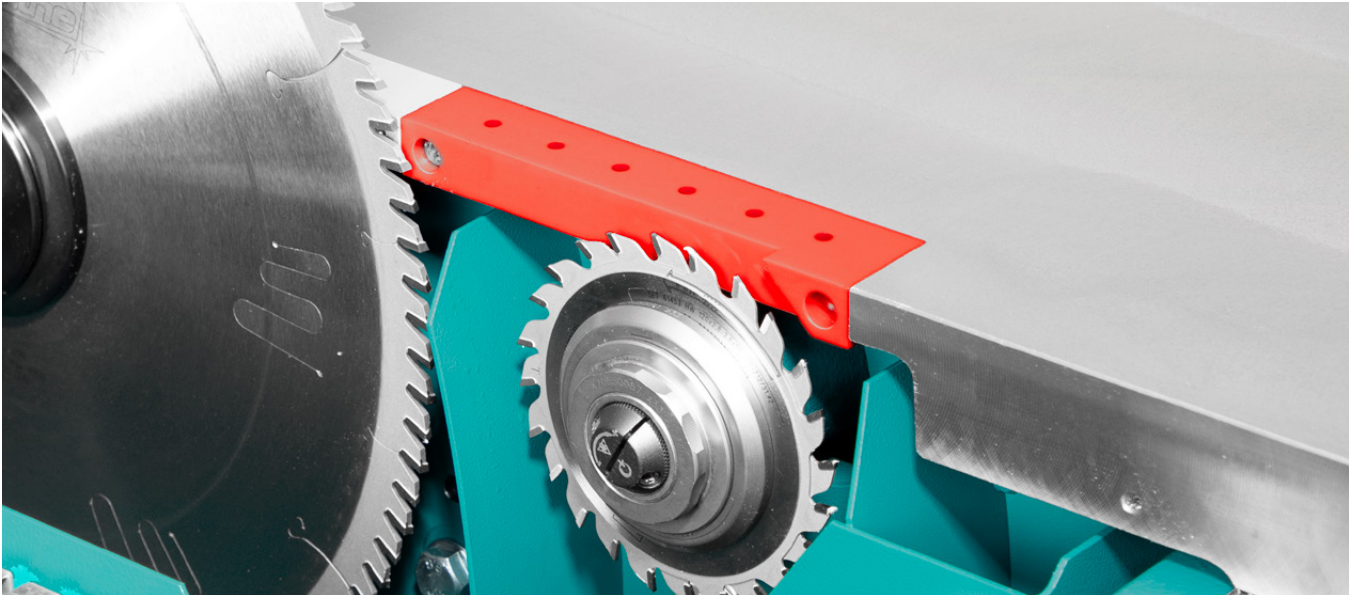
Thanks to its complete integration into the control the 3-axes system offers extreme comfort and top precision. Once the unit has been referenced, the system fully automatically adjusts to each main saw blade activated from the tool menu. The three axes – scoring height, scoring position, and scoring width – are positioned and are monitored electronically without further input. The decisive benefit: All settings of the scoring saw relevant to the cutting quality are always quickly and precisely undertaken and time-consuming test cuts can virtually be completely omitted.

Scoring saws	T60A	T60C	T65	T70	T75 Prex
2-axes – scoring-saw unit	T60A20	T60C20	T6512	T7020	–
3-axes – scoring-saw unit	–	–	T6524	T7023	T7523
ScribeMaster scoring-saw system	T60A22	T60A22	T6522	T7022	–
Saw blade set for 2-axes scoring-saw system	T60A13	T60A13	T6589	T7021	–
Saw blade set for 3-axes scoring-saw system	–	–	T6524	T7024	T7524
Saw blade set for ScribeMaster	T60A25	T60A25	T6525	T7025	–
Additional quick-clamping holder for scoring-saw unit					T7525

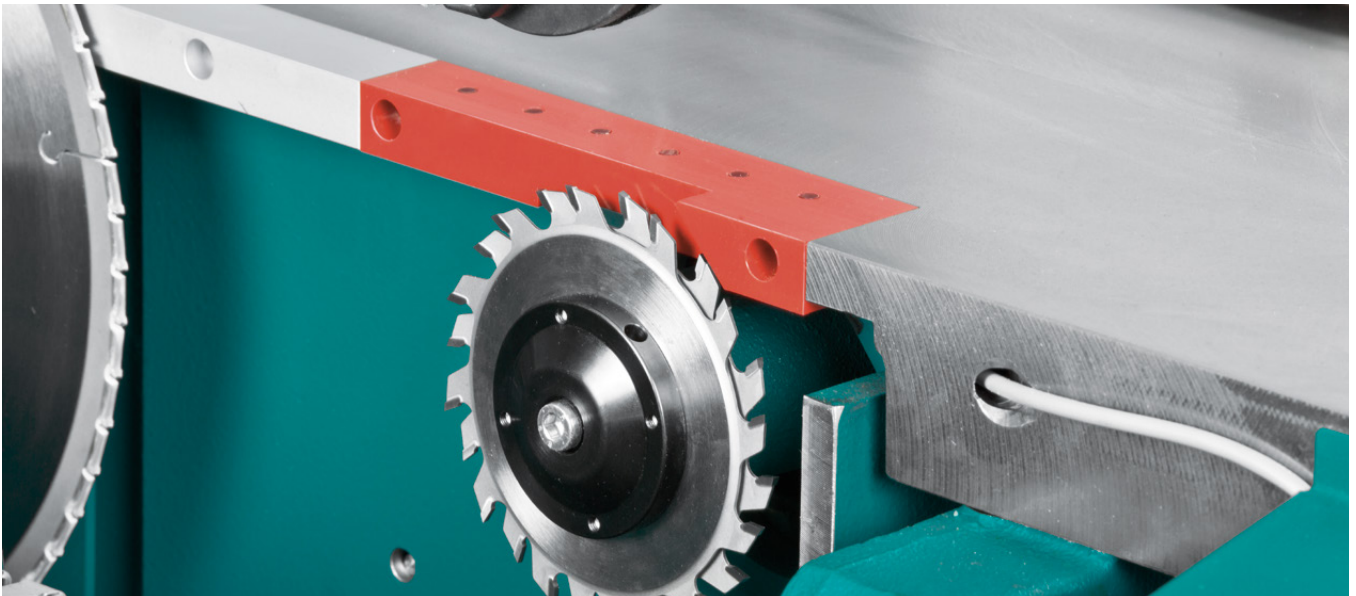


2-axis – scoring-saw unit





2-axes – ScribeMaster scoring saw unit



3-axes – scoring-saw unit



3-axes – PreX scoring-saw unit

Cross-cut table

Standard cross-cut table

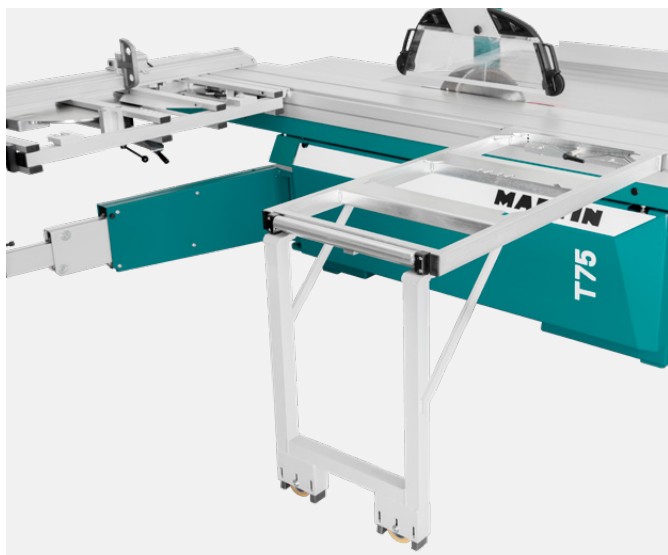
The sturdy but light cross-cut table despite its size of 1,400 x 700 mm is part of the basic equipment of all saws. It can be mounted over the entire length of the sliding table and the clamping mechanism can be operated with one hand. The rollers facilitate the accommodation and removal of larger workpieces and prevents damage to the surface and edge.

The fixed setting positions integrated into the table enable the fast cutting of common angles (0° | 22.5° | 30° | 45°). Some accessories are available for the standard cross cut table, which allow you to make adjustments to suit your requirements. So alongside the extendible support a roller support as well as additional cross cut table are available.

For standard cross cut table	T60A	T60C	T65	T70	T75 Prex
Extendible support	T60A31	T60A31	T6531	T7031	T7531
Additional standard cross cut table			T6548	T7048	T7548
Roller support			T6565	T7065	T7565



Extendible support



Standard cross-cut table with roller support

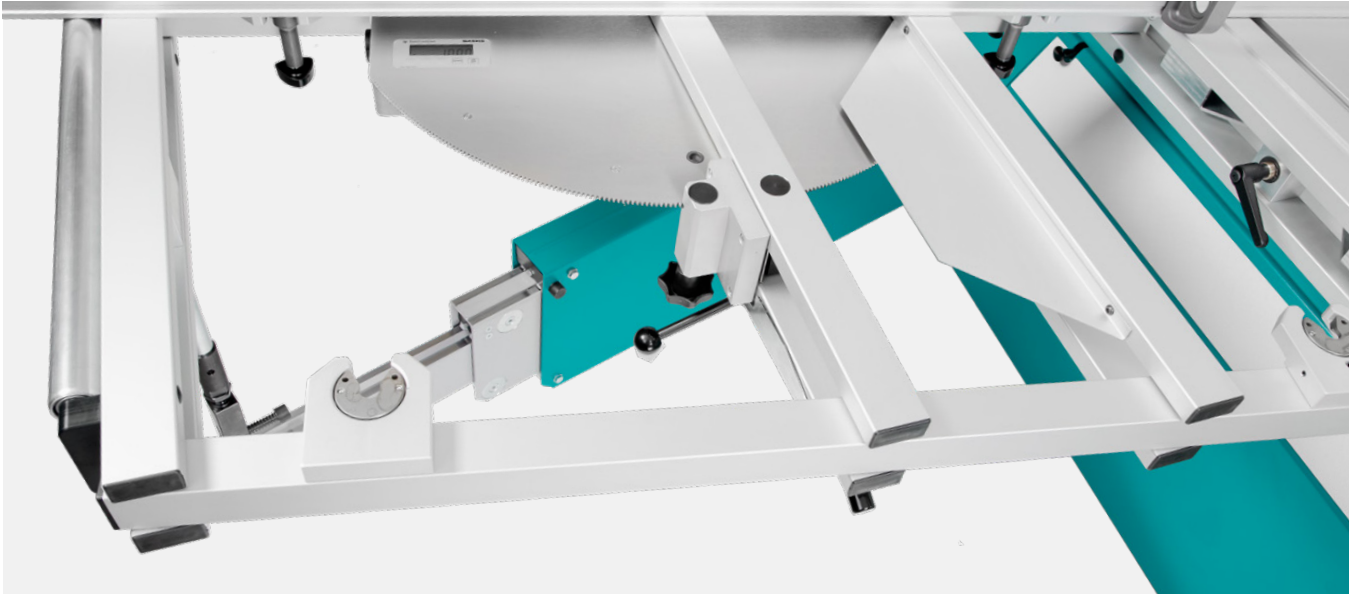
Mitre cross-cut table

The mitre cross-cut table from MARTIN has been setting benchmarks for flexibility for more than 50 years. Whether you want to perform precise, tailor-made angle cuts on large panels or small strips, the mitre cross-cut table offers a perfect support always there where you need it. You loosen the robust 0° lock

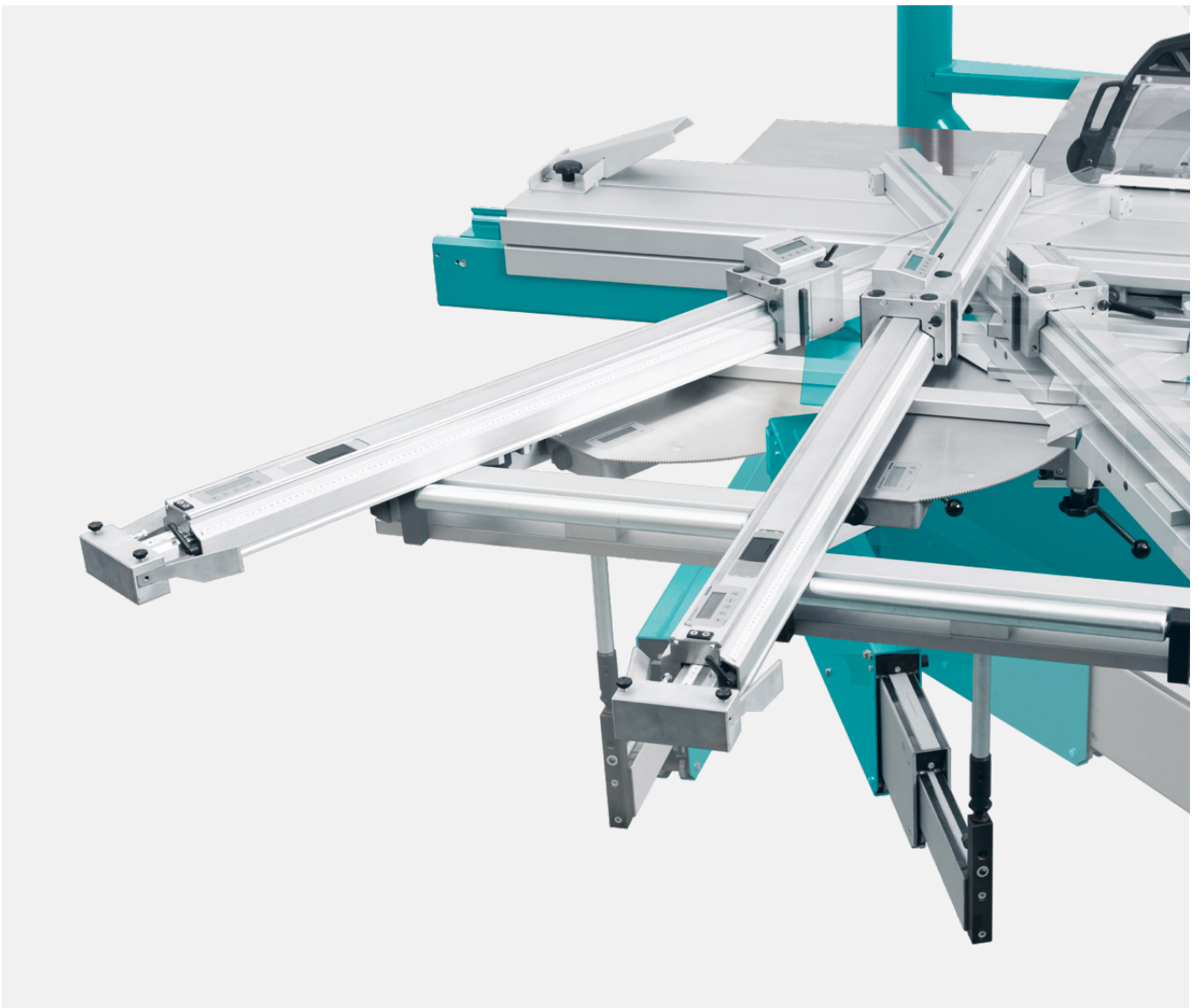
with a handle and adjust the table in a range from ± 46° according to LCD display. Thanks to the protected 3-part tilting arm neither the sudden change of arm structure nor an arm standing over the table have a negative effect on the quality of the cut. Optionally also extendible supports are available.

For mitre cross-cut table	T60A	T60C	T65	T70	T75 Prex
Mitre cross-cut table	T60A35	T60A35	T6535	T7035	T7535
Extendible support	T60A36	T60A36	T6536	T7036	T7536





Micro-adjustment, clamping and digital display of the parallelogram cross-cut table



Mitre cross-cut table

Cross-cut fence

Analogue cross-cut fence of the T6x

The T6x machines are delivered with a precise cross-cut fence. Often, the cutting dimension needs to be changed only a little bit, which is practically impossible without a fine adjustment mechanism. Even better than that you receive both stop elements of the cross-cut fence with fine adjustment and magnifier on the T6x machines. The cross-cut fence also has impressively smooth running stop skids. Both stop elements run on high-quality linear slide bearings made from a wear-resistant high-performance polymer and can be used on the full length of the fence jaw.

Analogue and digital cross-cut fences of the T7x

The T7x machines are fitted with the proven MARTIN 2-point cross-cut fence as standard, which means that workpieces lie on two points. This is the only way to cut precise angles for slightly concave sections due to tensions in the panel. Optionally you can also equip the machine with a cross-cut fence with a continuous support. Unlike in the standard design, this model has large fence flaps and the workpiece lies on the fence for its full length. Ideal if you work frequently with thin, flexible material, for example. Here, the cut material can be trimmed using the fence and therefore precisely tailored.

Thanks to the magnifier's easy-to-read scale and standard fine adjustment function for the inner stop element, cutting lengths can be set quickly and extremely precisely on both stop varieties. For all cross-cut fences there are also additional stop elements available, so several dimensions can be permanently set and the work accelerated. The cross-cut fence of the T7x series can optionally be implemented on the T6x machines.

Digital varieties of the cross-cut fence

The inner and outer stop elements work with separate measuring devices and so can be set independently of each other precise to a tenth. Each display can be switched to display relative dimensions, for example to quickly complete chain dimensional cuts.

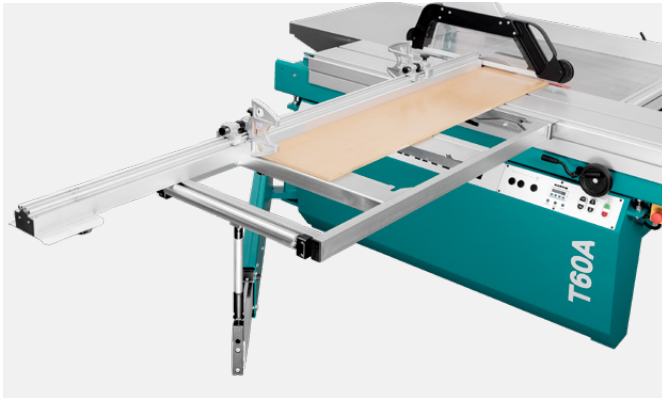
Motorised cross-cut fence

The T70 can optionally be equipped with a motorised cross-cut fence (4th axis). Along with cutting height, angle and width thus also the cutting length is integrated into the control system. You enter the required length and width dimensions and the control systems positions saw blade and fences. Please note that the 4th axis can only be mounted in rear position.

Cross-cut fence	T60A	T60C	T65	T70	T75 Prex
T6x analogue with continuous support	Standard	Standard	Standard	–	–
T7x analogue with 2-point support	T60A40	T60A40	T6540	Standard	Standard
T7x analogue with continuous support	T60A41	T60A41	T6541	T7041	T7537
T7x digital with 2-point support	T60A42	T60A42	T6542	T7042	T7540
T7x digital with continuous support	T60A43	T60A43	T6543	T7043	T7541
Controlled cross-cut fence (4th axis) with continuous support				T7044	

Additional analogue stop element for T6x cross-cut fence	T60A39/1	T60A39/1	T6539/1	–	–
additional analogue 2-point stop element	T60A40/1	T60A40/1	T6540/1	T7040/1	T7539/1A2P
additional analogue flip stop element	T60A41/1	T60A41/1	T6541/1	T7041/1	T7539/1ADG
additional digital 2-point stop element	T60A42/1	T60A42/1	T6542/1	T7042/1	T7539/1D2P
Additional analogue flip stop element	T60A43/1	T60A43/1	T6543/1	T7043/1	T7539/1DDG





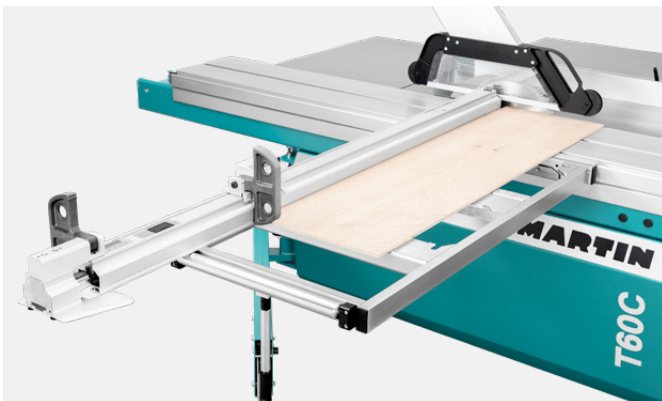
T6x cross-cut fence



T7x cross-cut fence continuous analogue



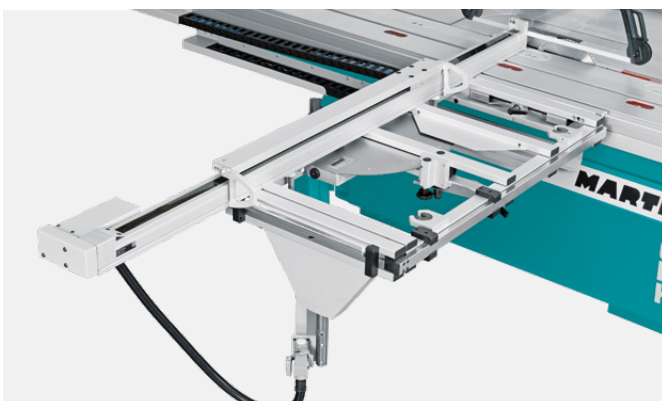
T7x stop element 2-point analogue



T7x cross-cut fence continuous digital



T7x cross-cut fence 2-point digital



T7044 | controlled cross-cut fence

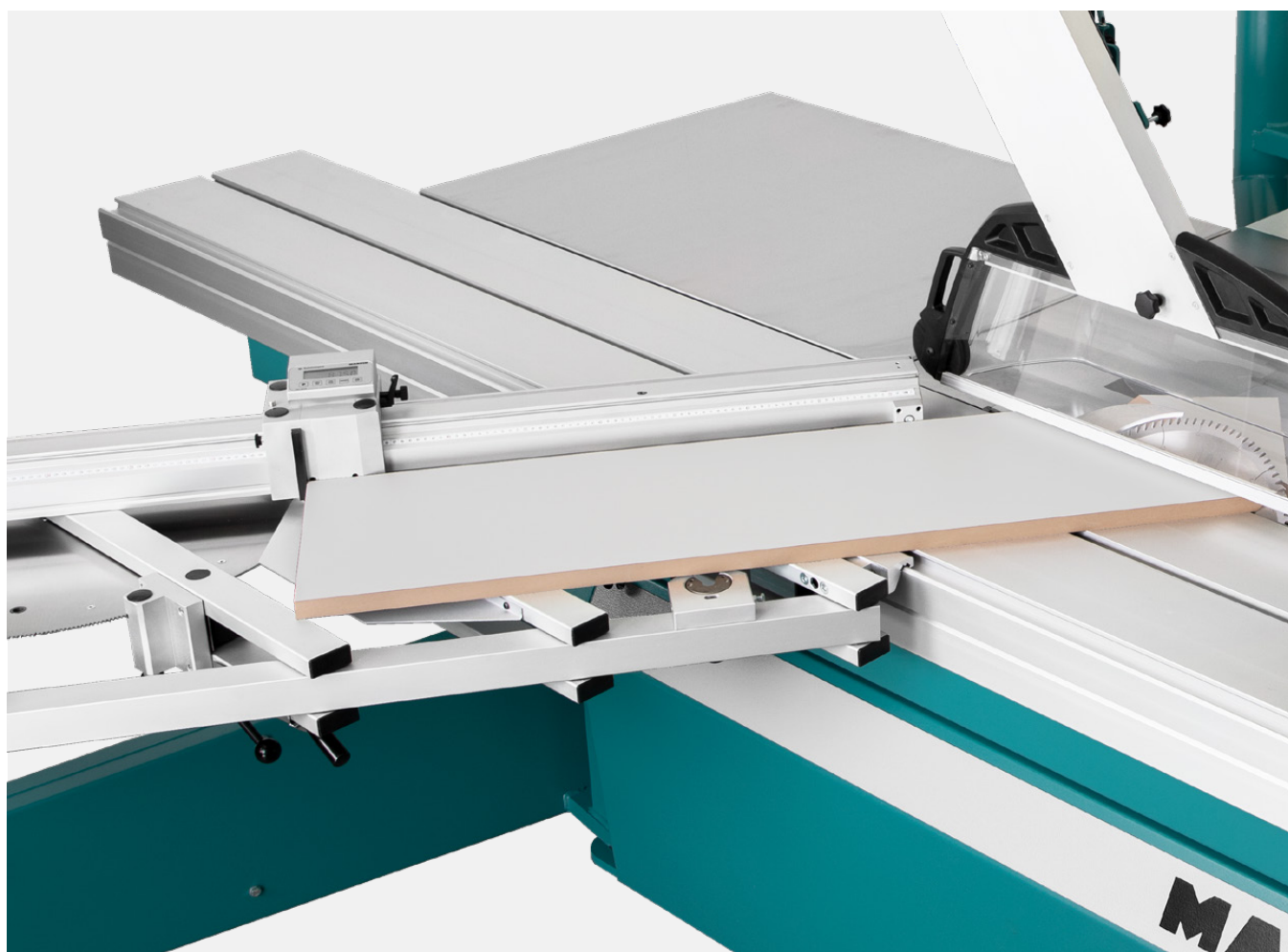
Angle cutting systems

RadioCompens

The RadioCompens innovative angle cutting system vastly extends the possibilities of the mitre cross-cut table. The radio-based communication between cross-cut table, controller and stop elements reduces time-consuming setup times for angle cuts by up to 80%. Simply set the table to the desired angle and the electronic cutting length displayed on the cross-cut fence immediately shows you the correct length. The RadioCompens angle cutting system is optionally available with 2-point or continuous support.

RadioCompens

	T65	T70	T75 Prex
System with 2-point support	T6550	T7050	T7550
Additional 2-point stop element	T6550/1	T7050/1	T7550/1
System with continuous support	T6551	T7051	T7551
Additional flip-stop element	T6551/1	T7051/1	T7551/1



RadioCompens with 2-point support

Control

The Control angle cutting system for the T70 model includes a package which combines the controlled cross-cut fence with the mitre cross-cut table. Along with cutting height, angle and width thus also the cutting length and the table angle are integrated into the control system. You enter the required length and width dimensions and the control system positions saw blade and fences. The length compensation required for angle cuts is fully automated. Connected to the control system via radio the mitre cross-cut table delivers the angle data directly to the control system. The length compensation for cutting lengths of up to 3,300 mm takes place dynamically, while you set the table. So your T70 becomes a genuine angle cutting centre.

Angle cutting system control

T70

Control

T7052



Control

Double mitre fence

MitreX

Thanks to a large angle scale the MitreX double mitre fence is characterised by high setting accuracy, the mitres can be cut from two sides. Along with the exact angle cut in most application instances also an exact length of workpiece is required. That is why a length compensation has been provided for ten preferred angles between 0° and 67,5°. The fences can be alternatively implemented and enable cutting lengths from 90 – 1,375 mm. A particular feature of the MitreX is the unique blow-out block guard. If you value the highest angular precision digital varieties of the MitreX are also available.

MitreX double mitre fence	T60A	T60C	T65	T70	T75 Prex
with analogue angle display	T60A28	T60A28	T6528	T7028	T7528
with digital angle display	T60A29	T60A29	T6529	T7029	T7529



MitreX with analogue angle display



MitreX with digital angle display

Support extensions

To enlarge the workpiece support of your machine there are numerous options available to you.

Second support

The second Txx68 support can be quickly and easily mounted on the side of the sliding saw table and significantly simplifies the cutting of large panels.

Rip fence for second support

Supplemented with the T6555 option, the second support becomes a rip fence which perfectly supports you with parallel cuts.



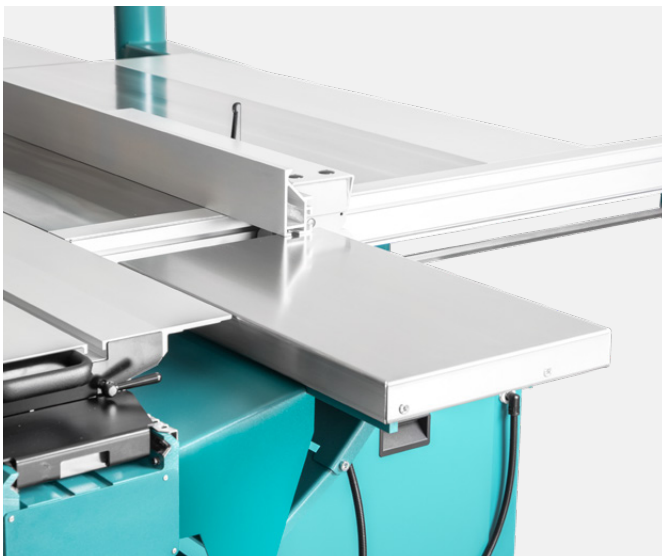
Front support table

When cutting longer, narrower workpieces the foldable front support table offers the best support. The table helps to safely guide the workpiece on the fence jaw.

Additional rear table extension

The large, stable rear table extension for the T6x/T7x machines replaces the standard tool box and ensures for a first class support of larger workpieces after cutting. The option can also be retrofitted at any time.

Support extension	T60A	T60C	T65	T70	T75 Prex
Front support table, foldable	T60A67	T60A67	T6567	T7067	T7567
Second support	T60A68	T60A68	T6568	T7068	T7568
Rip fence for second support	T60A55	T60A55	T6555	T7055	T7055
Additional – table extension rear			T6560	T7060	T7560



Front support table, foldable



Second support



Rip fence for second support



Additional - table extension rear

Clamping systems

Eccentric and pneumatic clamper

In order to be able to clamp workpieces easily and quickly three clamps are available to you. You can choose whether to clamp by hand eccentrically, or pneumatically via foot switch or comfortably via radio. What's important is the safe clamping of your workpiece, which is guaranteed with each variety.

Pneumatic clamp	T60A	T60C	T65	T70	T75 Prex
With foot valve	T60A69/3	T60A69/3	T6569/3	T7069/3	T7569/3
Manual eccentric clamp	T60A69/4	T60A69/4	T6569/4	T7069/4	T7569/4
With radio remote control			T6569/1	T7069/1	T7569/1



Pneumatic clamp



Manual eccentric clamp

Pneumatic pressure bar

The pneumatic pressure bar clamping system ensures the safe and secure clamping of individual and stacked workpieces, with 1 to 4 separately usable clamping zones, depending on the design. For exact workpiece positioning the pressure bar can also be used with the cross-cut fence.

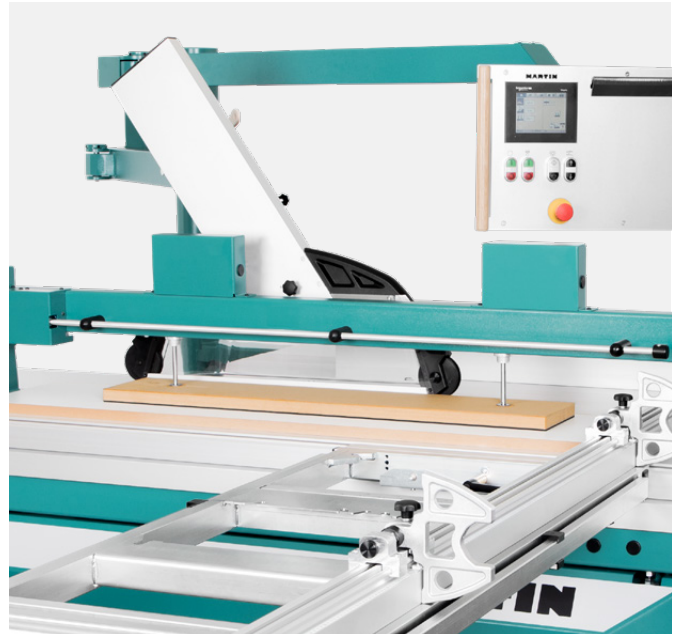
This can be positioned on the end and start of the bar, and between the pressure elements. Even angle cuts are possible. For this the “disruptive” pressure segments are simply switched off and so remain standing in the upper position.

Pneumatic pressure bar in m	T60A	T60C	T65	T70	T75 Prex
1.9	T60A70/1	T60A70/1	T6570/1	T7070/1	T7570/1
3.0	T60A70/3	T60A70/3	T6570/3	T7070/3	T7570/3
3.3	T60A70/4	T60A70/4	T6570/4	T7070/4	T7570/4
3.7	T60A70/5	T60A70/5	T6570/5	T7070/5	T7570/5





Pneumatic pressure bar 1.9 m



Pneumatic pressure bar

VacuSlide vacuum workpiece clamping system

A safe and evenly clamped workpiece is essential for a good cut. With the VacuSlide workpiece clamping system it's easy to safely clamp and to cut panel material made of wood, plastic or non-ferrous metals. Even narrow workpiece are safely held by the clever arrangement of the suction zones. For exact workpiece positioning the VacuSlide can also be used with the cross-cut fence. Even angle cuts are possible at any time.

For this the suction zones which are not required as simply not occupied, the intelligent system detects that and switches the zone off. This ensures for a quick and intuitive operation. The activation of the VacuSlide workpiece clamping system is very easy. It is activated via remote control, the workpiece is laid or is already lying on the sliding table -ready. For release the command is also given via remote control – quick and easy.

VacuSlide for sliding table in m

3.0 | each with 6 suction zones in two rows

3.3 | each with 7 suction zones in two rows

3.7 | each with 8 suction zones in two rows

T65

T70

T75 Prex

T6575/3

T7075/3

T7575/3

T6575/4

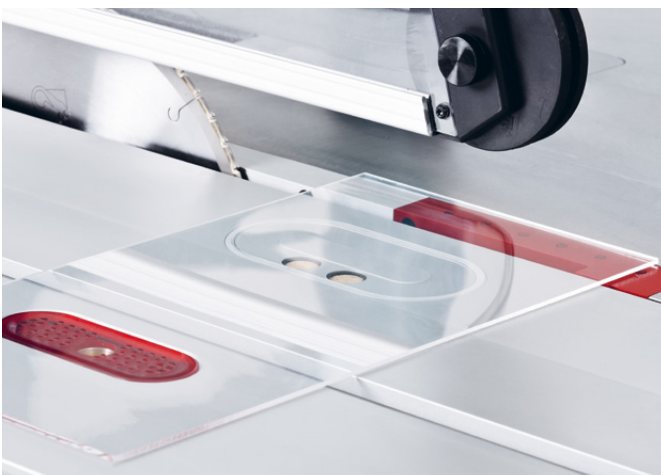
T7075/4

T7575/4

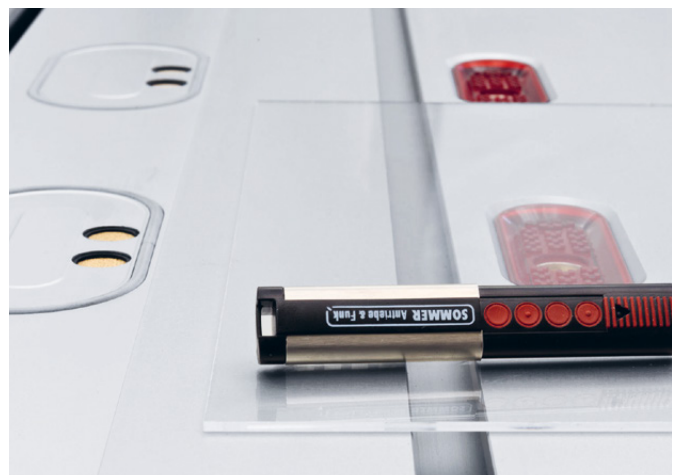
T6575/5

T7075/5

T7575/5



VacuSlide



VacuSlide

Clamping and stop system

They serve the ergonomic, safe and rational cutting of workpieces. For the systems it's about an effective safety guard which can be mounted and adjustable without tools in an instant. When cutting inclined, short, narrow and wedge-shaped workpieces of different sizes you always work quickly, comfortably and safely. The sets are only differentiated by the number of clamps and fences.

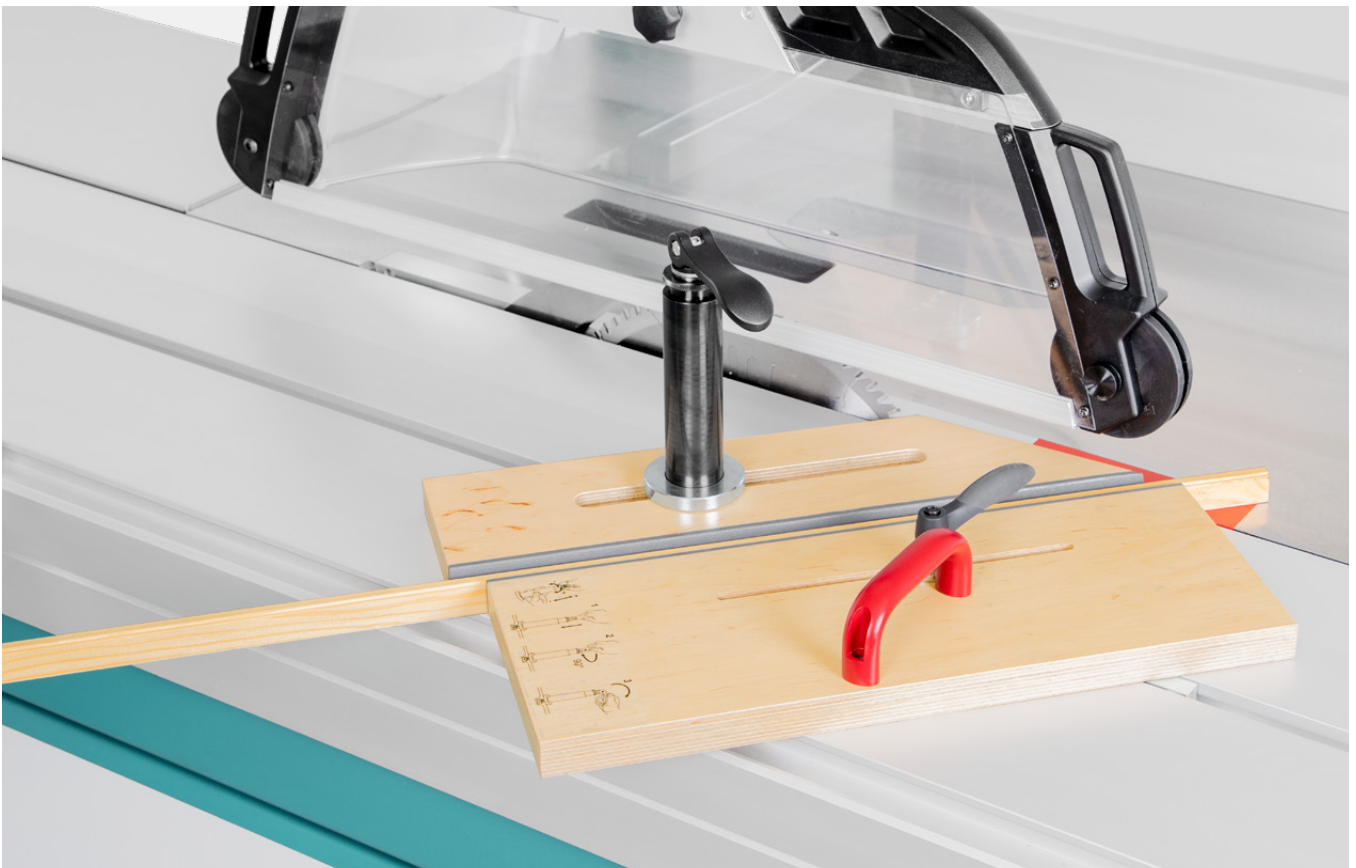
Clamping and stop system	T60A	T60C	T65	T70	T75 Prex
Standard	T60A78/1	T60A78/1	T65078/1	T7078/1	T7578/1
Comfort	TT60A78/2	T60A78/2	T6578/2	T7078/2	T7578/2



Pivoting clamp



Pivoting clamp with auxiliary stops



Pivoting clamp in use

Further accessories

Edging device

The cutting of veneered or laminated boards is just one area of application of the edging device.

This accessory is simply pushed onto the fence jaw and can be deployed as a replacement for a laser, also for cuts based on marks.

Pneumatic pressure bar in m	T60A	T60C	T65	T70	T75 Prex
Edging device	T60A72	T60A72	T6572	T7072	T7572



Edging device

Laser cutting line indicator

The laser beam shows you the exact course of the saw cut, which is especially helpful when edging and straight-lining solid wood. The cutting of stair treads according to scribe marks is just one of many classical applications of this accessory.

Laser cutting line indicator

Laser cutting line indicator

T65

T70

T75 Prex

T6573

T7073

T7573



Laser cutting line indicator

On/off switch

With this accessory you can start the machine from any position along the sliding table. It can be positioned without having to use a tool and offers a high degree of flexibility to the operator. Big panels can be positioned and the machine can be started easily from the operating position.

For main saw and scoring-saw unit

T60A

T60C

T65

T70

T75 Prex

On/off switch

T60A77

T60C77

T6577

T7077

T7577



On/off switch

Minimal quantity cooling lubrication device

The minimal quantity cooling lubrication device is the perfect accessory, if you regularly cut aluminium or other non-ferrous metals or plastics. The saw blade is directly wet with the medium and so cooled or lubricated.

For the main saw blade

	T65	T70	T75 Prex
Minimal quantity cooling lubrication device	T6580	T7080	T7580



Minimal quantity cooling lubrication device

T75 guard

Additional guards with different reaches enable the space required by the guard to be adapted to the guard area actually required. The machine calculates and monitors the max.

permissible tilting angle or blade protrusion of the saw blade. Saw blades can be used on both sides without restriction up to the blade diameter named.

Reach | Blade diameter in mm

Reach Blade diameter in mm	T75 Prex
60 diameter 350	T7513
105 diameter 450	T7514
145 diameter 550	T7515



145 | diameter 550



105 | diameter 450

Visit us at:

Website



Facebook



Instagram



YouTube



Brochure



Contact us at:

+49 (0) 8332 911 - 0

sales@martin.info

MARTIN

www.martin.info