

Performance Data

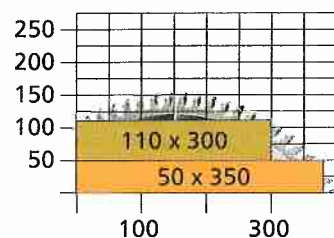
Feed rate steplessly adjustable up to	90 m/min
Return transport speed	130 m/min
Feeding unit power	1.8 kW
Electric connection	400 V / 50 Hz

SL 110	Saw Motor Power:	5,5 kW
	Speed:	3.600 rpm
	Tungsten Carbide sawblade:	Ø 500 x 5 x Ø 30 mm
	Sawblade Number of teeth:	72

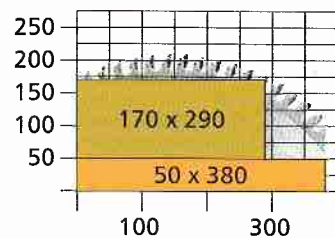
SL 170	Saw Motor Power:	7,5 kW
	Speed:	2.800 rpm
	Tungsten Carbide sawblade:	Ø 600 x 5 x Ø 30 mm
	Sawblade Number of teeth:	72

SL 225	Saw Motor Power:	11 kW
	Speed:	2.800 rpm
	Tungsten Carbide sawblade:	Ø 700 x 5 x Ø 30 mm
	Sawblade Number of teeth:	72

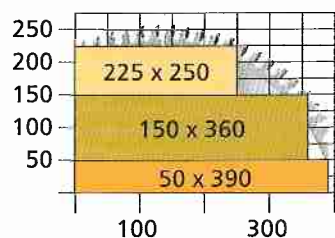
SL 110



SL 170



SL 225

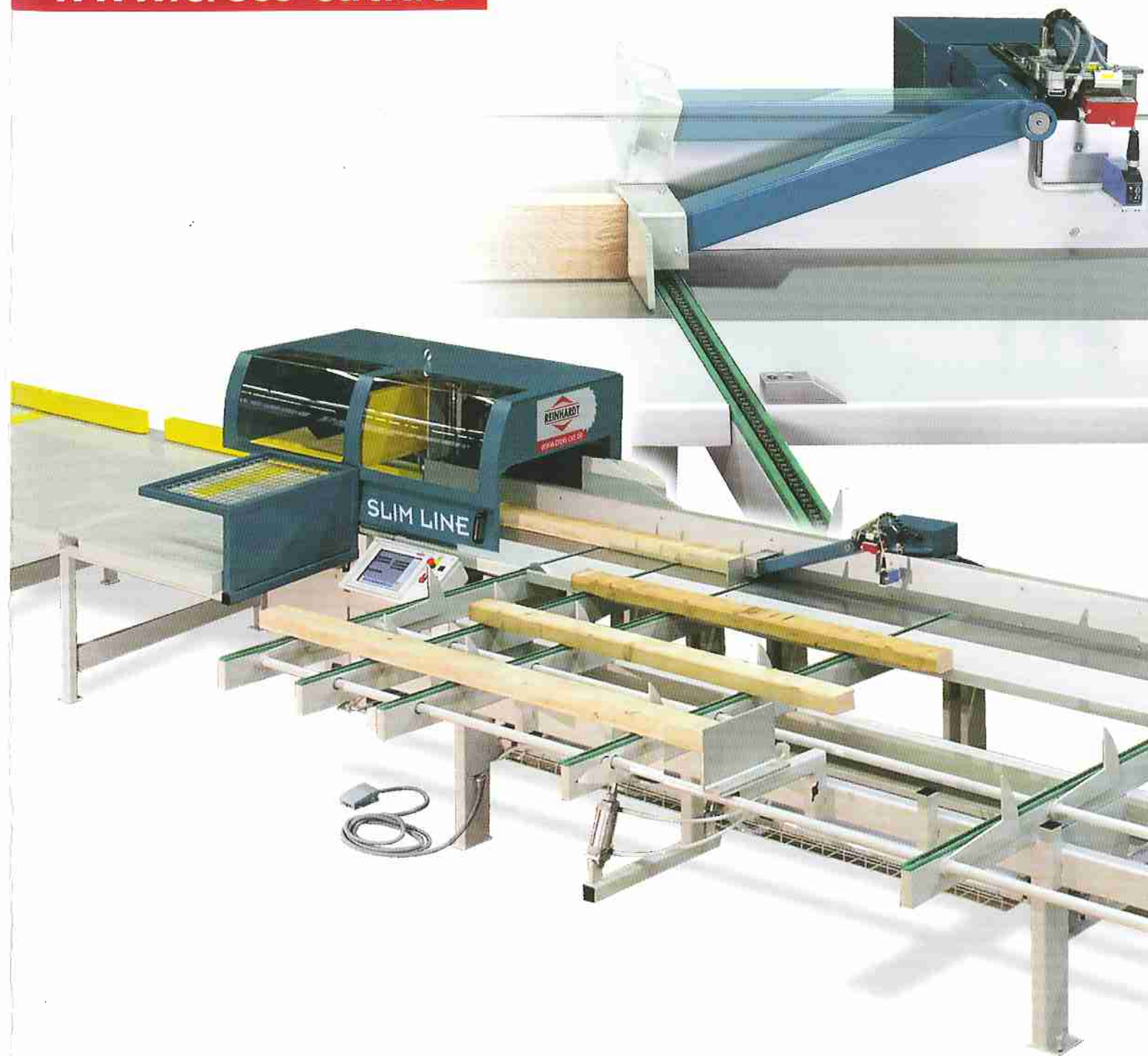


Technical changes and further development reserved.
In parts optional equipment, which is not included in the standard circumference, is being displayed.



Christof Reinhardt Maschinenbau
Eferenstraße 4
78628 Rottweil-Neukirch
Germany
Phone +49 (0) 74 27 / 94 09-0
Fax +49 (0) 74 27 / 94 09-30
email info@christof-reinhardt.com
Internet www.christof-reinhardt.com

Design & images: www.kammerer-team.de



SLIM LINE

Cross-cut technology with pushing system
for rational cutting

Waste conveyor belt



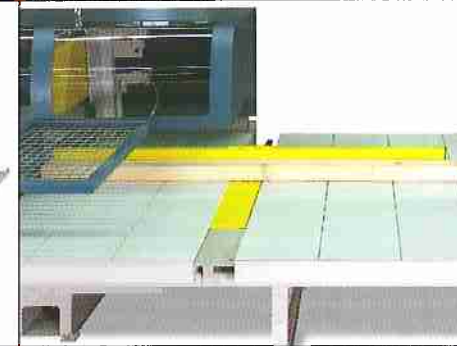
Disposal of waste can alternatively be right-angled or in parallel to the entry table respectively the exit table (Option C).

Standard outlet table



In its standard version the SLIM LINE is equipped with a plane outlet table. The length is adjusted individually.

Push off at the sawblade



All yield pieces are pushed off onto an outlet table immediately after having been cut. Operators can effortlessly detect different lengths as all clippings lie aligned to one side (Option D1).

SLIM LINE

The economic solution for small and medium-sized businesses

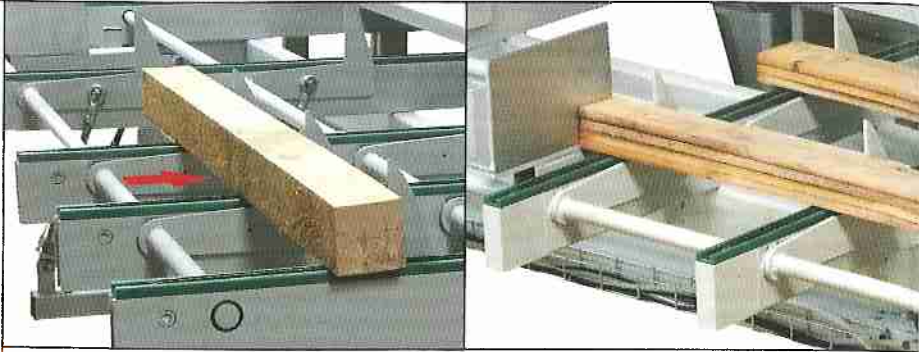


Ink spraying unit

To label the work pieces an optional ink spraying unit is available.

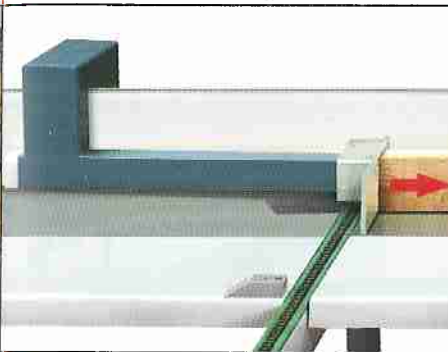
- possibility to individual labelling
- free scope for design for logos and signs
- printing technology with low ink usage

Automatic material feeding



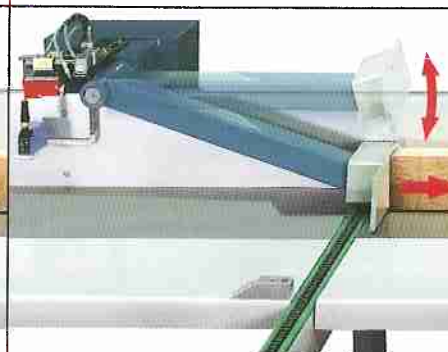
The operator prepares the material independently from the machine cycles, by placing the parts individually or stacked onto the automatic material feeding. Depending on the machine version, 1 to 3 buffer places are available. The machine fully automatically takes over the parts from the buffer place(s). This enables a continuous feeding of the saw and results in a performance increase of up to 30% (Option A).

Pushing system standard



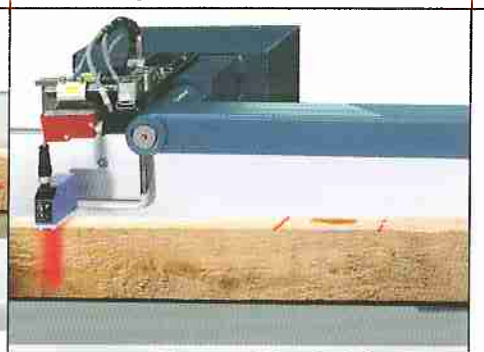
The pusher detects fully automatically the length of a work piece and guarantees a precise positioning.

Pushing system adjustable



The adjustable pusher enables an early placing of a new work piece while the previous work piece is still being processed. This results in a significant increase in performance (Option A4).

Reading defects



Defects marked by operators are read in and automatically cut out (Option B3).



Electronic Control CONTROL 6.0

If a work piece or several work pieces in a stack are cut just enter the desired dimensions via the screen and confirm via "start". Lists with the most different cutting programs are entered in this simple way.

The machine control can fully automatically process **up to 10 different lists and 300 different dimensions**. Increased capacity can be achieved by preparing additional lists externally on a PC and transmitted via data transfer to the machine.

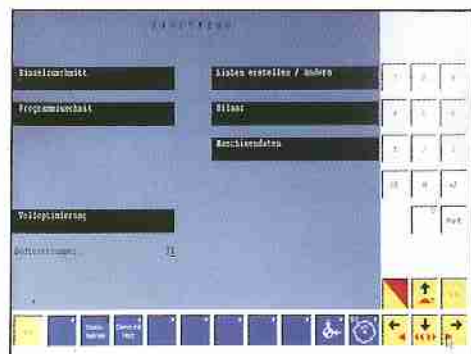
Fully optimized to priority specification

The operator enters in or calls up a previous cutting list in which the cutting lengths have been determined, and priority of sizes chosen. The operator marks each workpiece for defects and if required for quality. The computer calculates the best cutting pattern relative to the lengths and priorities within the cutting list. As the list is processed by the machine the output is continuously monitored and reported via the PC.

Automatic optimising

Productivity is processed automatically.

- throughput
- percentage yield
- percentage cut
- machine workload



The control is based on Windows CE. Operating happens via a **touch-screen display**. EDP knowledge is not required.

Lateral pusher



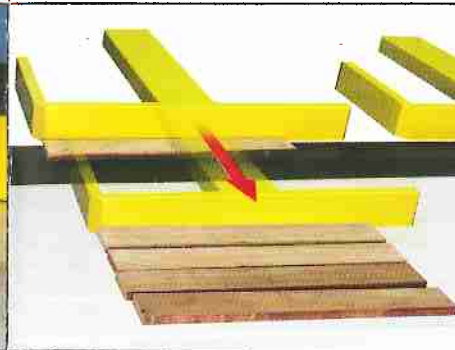
The lateral pressing device even places high stacks of work pieces neatly alongside the rail and guarantees a precise right-angled cut.

Downholder and waste flap

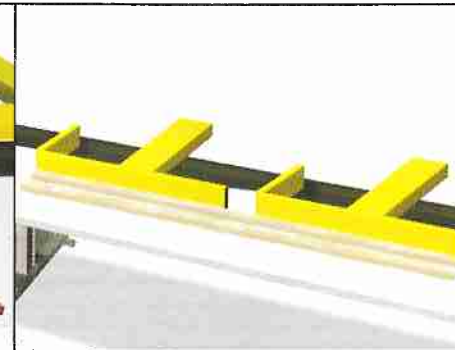


The saw cut release happens only when the downholder presses the work piece firmly onto the saw table. Waste pieces fall directly onto the waste transport conveyor belt through an optionally integratable waste flap (Option C4).

Sorting the clippings



The yield work pieces are pushed neatly onto the freely definable, pre-defined storage places (Option D2).



Long work pieces can be pushed with two or more pushers simultaneously.

SLIM LINE

Cross-cut technology with pushing system for rational cutting

- Highest yield and highest possible added value
- Low personnel requirement
- Maximum wood throughput
- Functional waste discharge
- Robust pushing system
- Neat placing of clippings
- Individual adaptations to customer specific requirements possible
- An all-purpose machine

