

**Your Individuality will
Benefit from a Strong Team:**



ASSEMBLY SYSTEMS

INDUSTRY



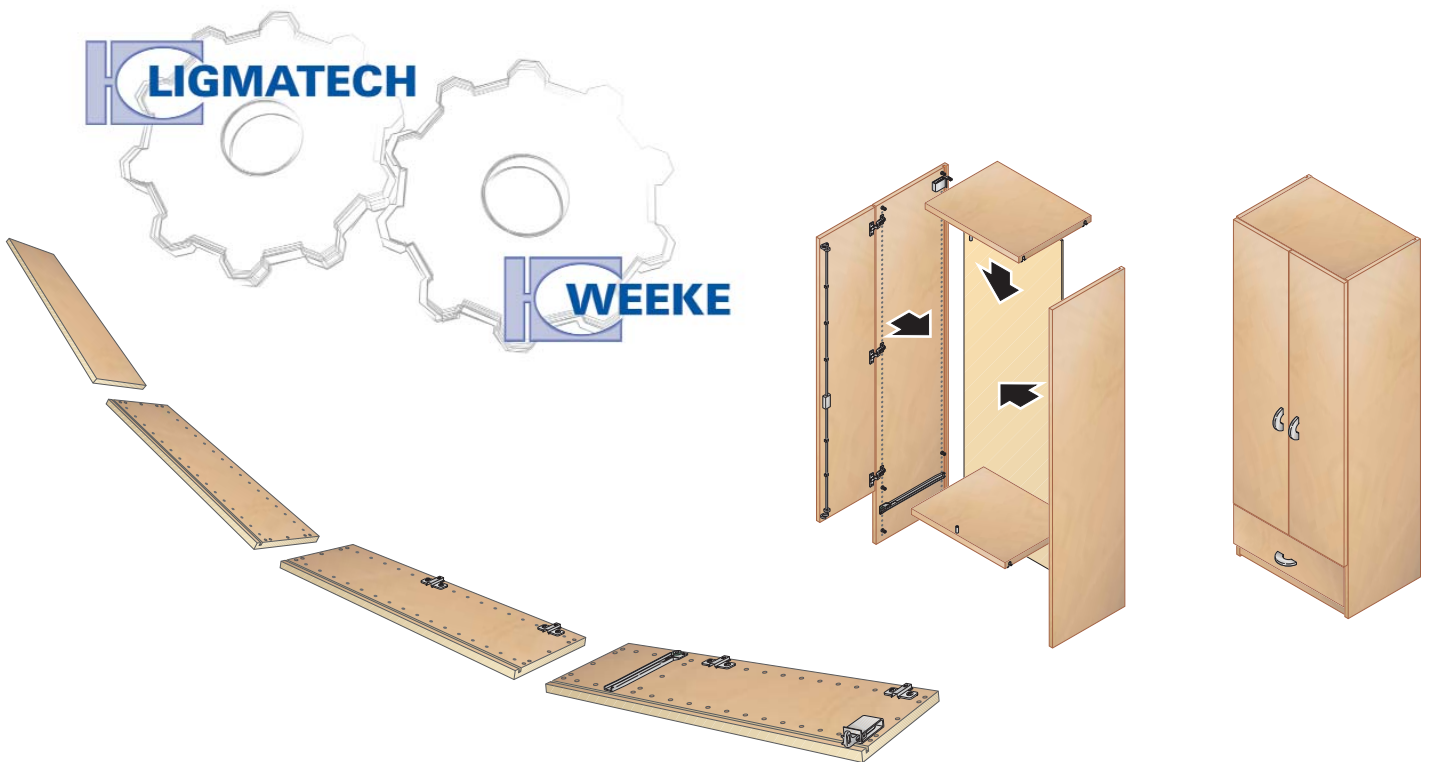


LIGMATECH & WEEKE: Our Team – Your Strength

You know what the market wants from you.

We know how to make it a reality.

For us, teamwork is the logical consequence of the products we build for you. The best example of this is our assembly systems. The quintessential team players. One system element supplements and complements the next. Each in itself is a mature and powerful piece of engineering. As a team – unbeatable. Nevertheless they allow individual combinations and are best suited to your needs. This is also true of the team formed by LIGMATECH & WEEKE. Getting from requirements analysis to project planning and from there to implementation takes a lot of work, but you only need one partner to get the job done: us!

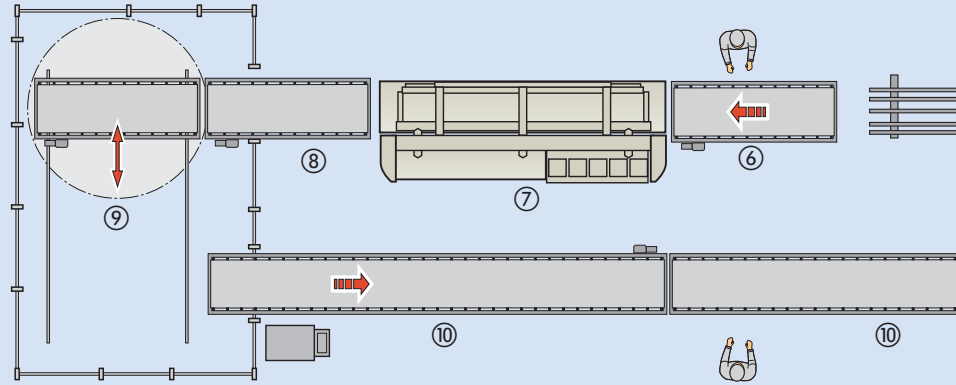




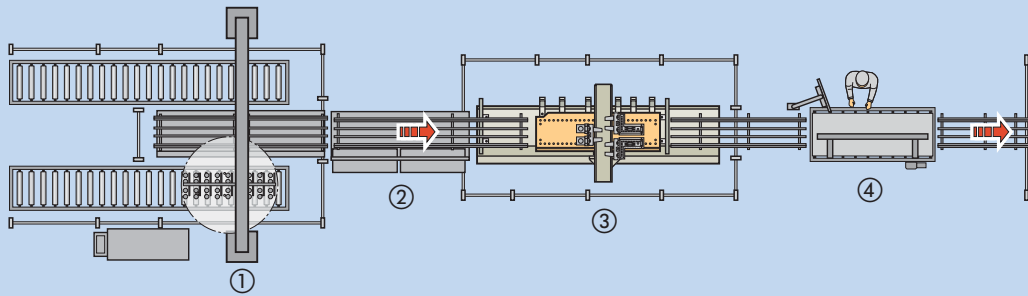
Our Assembly Systems: As Individual and Powerful As Your Business



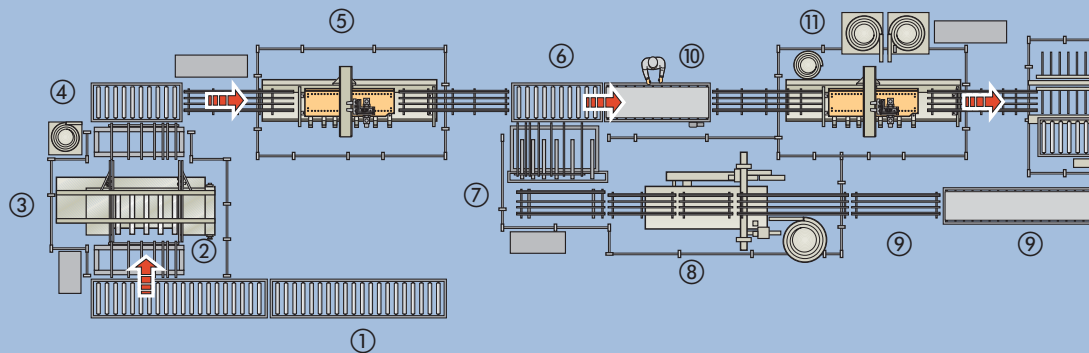
**Example kitchen manufacturing
up to 400 carcasses/shift**
wall-unit-/base-unit- and tall carcasses

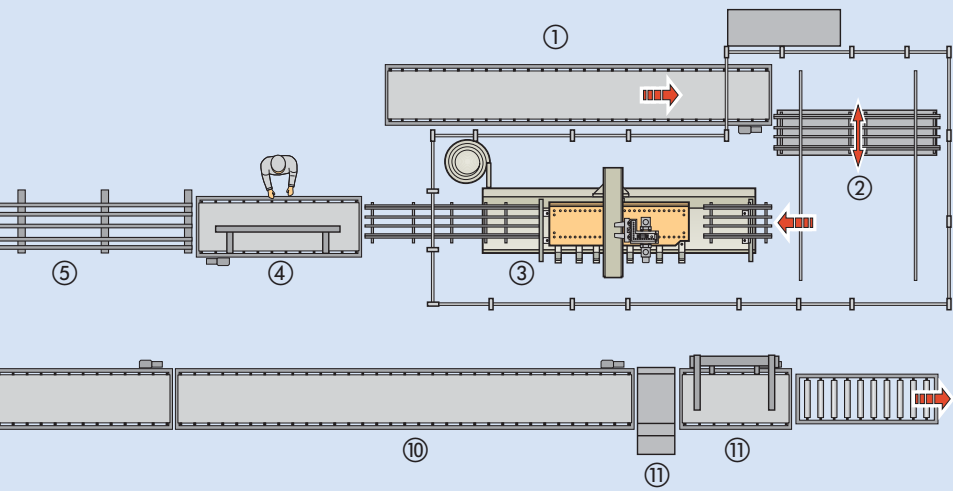


**Example kitchen manufacturing
up to 600 carcasses/shift**
wall-unit-/base-unit- and tall carcasses

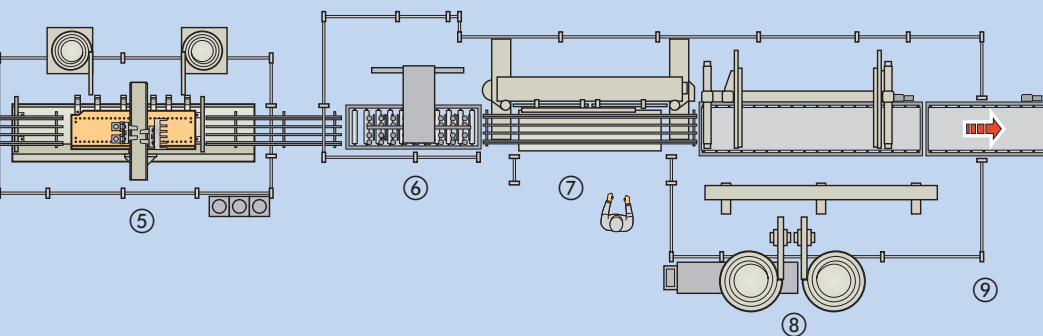


**Example office furniture manu-
facturing 400-500 carcasses/shift**

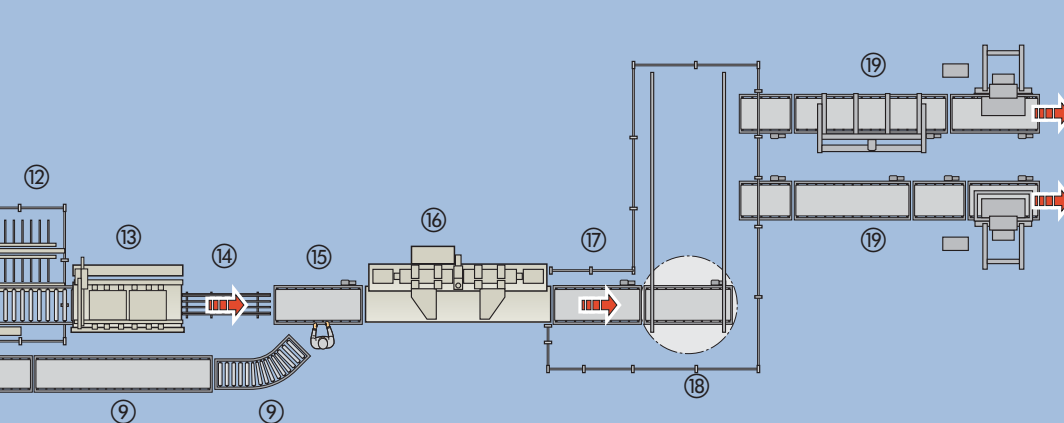




- ① feeding belt
- ② cross moving carriage
- ③ ABL 210
- ④ manual workstation
- ⑤ buffer belt
- ⑥ preparation belt
- ⑦ carcass press MDE 110
- ⑧ buffer belt
- ⑨ cross moving carriage
- ⑩ final assembly
- ⑪ preparation belt



- ① in-feeding station
- ② measuring station
- ③ ABL 210
- ④ manual workstation
- ⑤ ABL 210
- ⑥ reversing station
- ⑦ carcass press MPC 410
- ⑧ backpanel assembly station
- ⑨ buffer belt



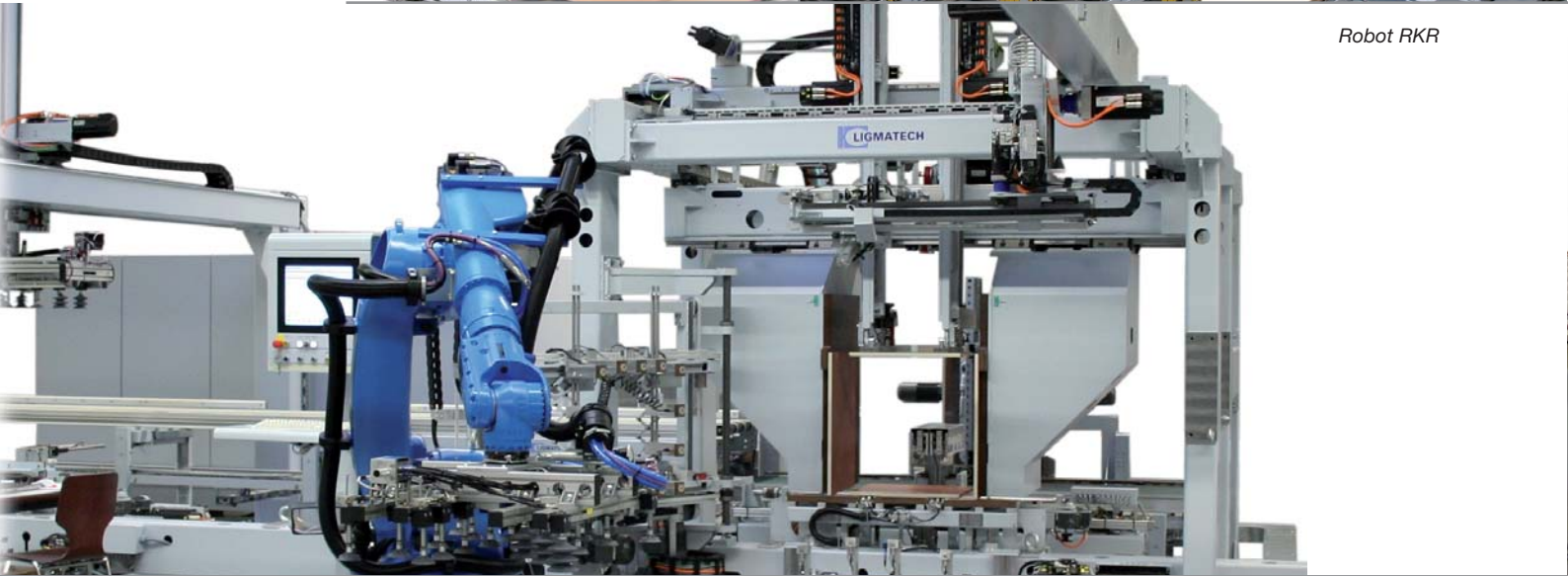
- ① feeding belt
- ② angle transfer
- ③ BHH 40
- ④ angle transfer
- ⑤ ABL 210
- ⑥ angle transfer
- ⑦ reversing station
- ⑧ ABL 110
- ⑨ feeding path
- ⑩ manual workstation
- ⑪ ABL 210
- ⑫ buffer system
- ⑬ glueing unit MLK 110
- ⑭ buffer belt
- ⑮ preparation belt
- ⑯ carcass press MDE 110
- ⑰ buffer belt
- ⑱ cross moving carriage
- ⑲ final assembly

Feeding Systems: Lead the Field from the Very Start



ZPE

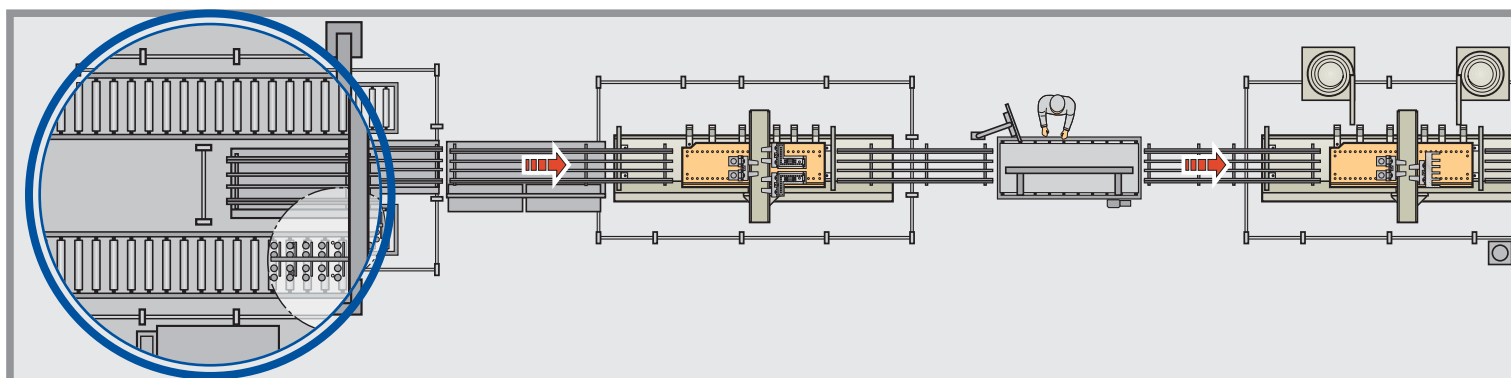
Robot RKR

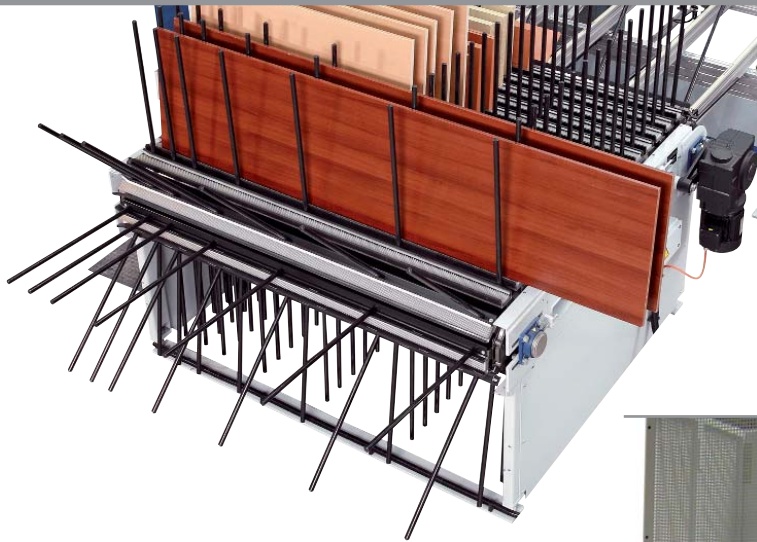


Getting a good start means a race well run. This also applies to the flow of production processes. Our feeding systems ensure you get off to the very best start. Doing so requires two things in particular.

1) Operational safety. The sound technology embedded in our safe systems has given us an excellent track record worldwide and is the consequence of consistent further development.

2) Individuality. Our standard components provide the basis for a system tailored to your requirements. Gentle with components and powerful – all the way to warehouse management.

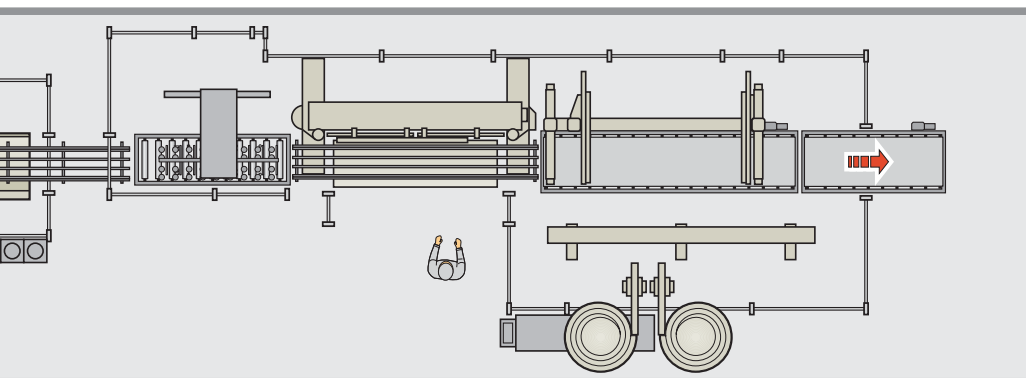




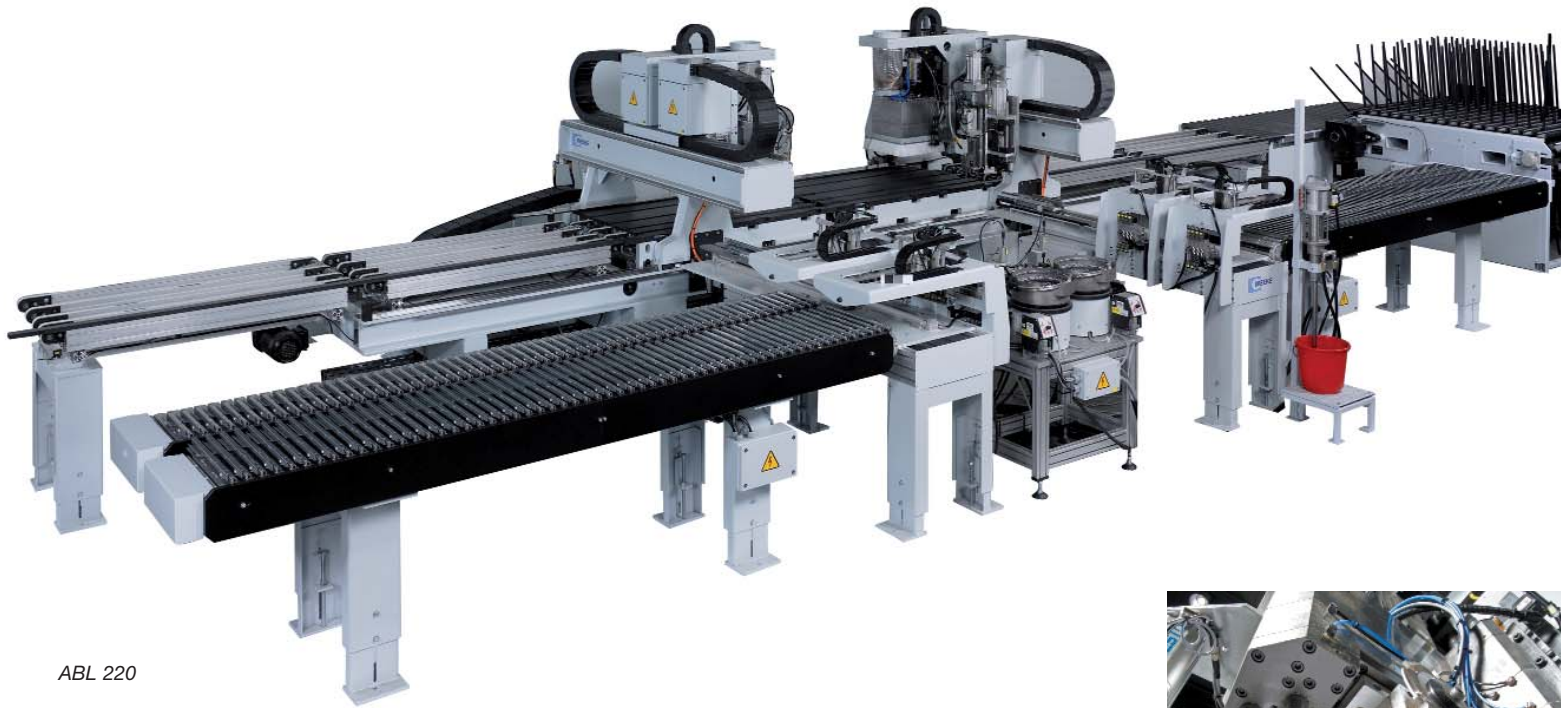
Vertical buffer MTI



Angle transfer ZTR



ABL Drilling and Fitting Machine: The Heart of the System Beats at Your Pace



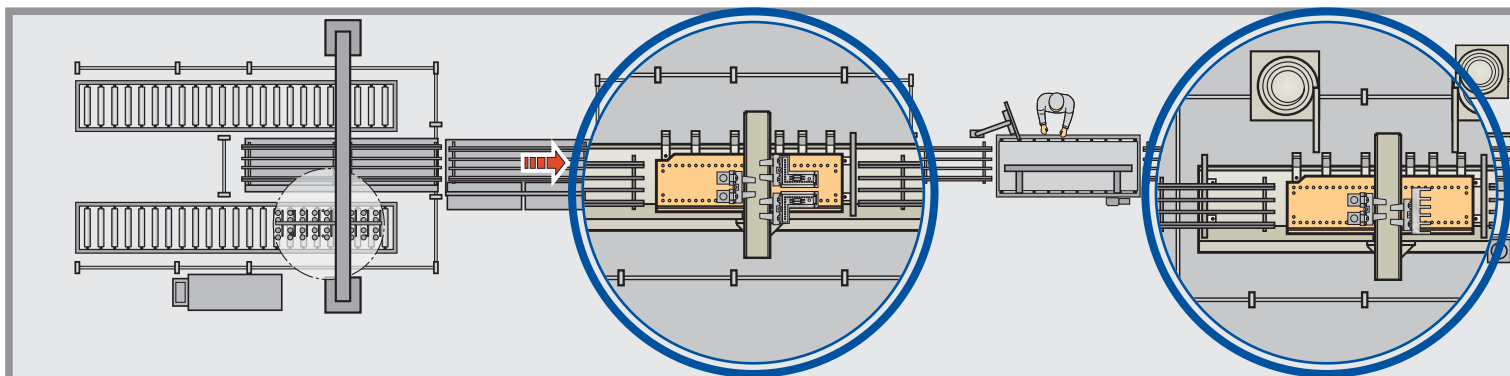
ABL 220

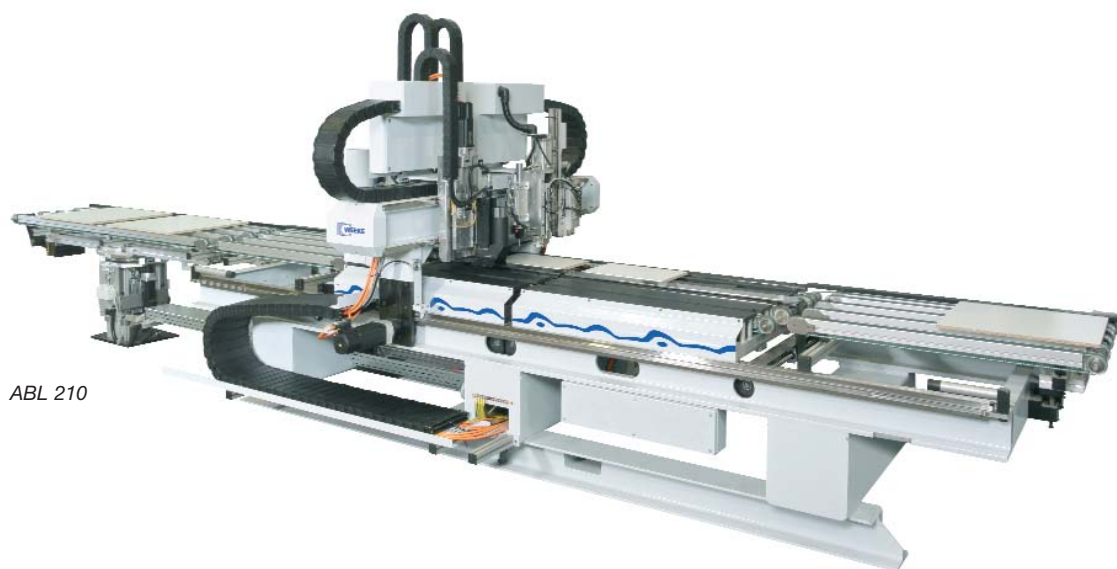


Strong heart – strong performance. For our ABL this means more than being capable of drilling vertically and horizontally. Combined with the WEEKE high-speed drilling

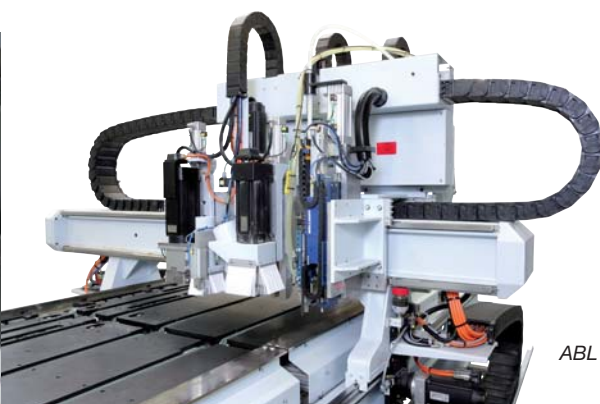
block, the fast changeable drill block system, and our tried and tested fitting components, it forms the basis for providing the exact performance you require. Today – and in the future.

Professionally combined with mature components, it allows the design of parallel lines, for example. Here, individuality means that we implement the pace you set.

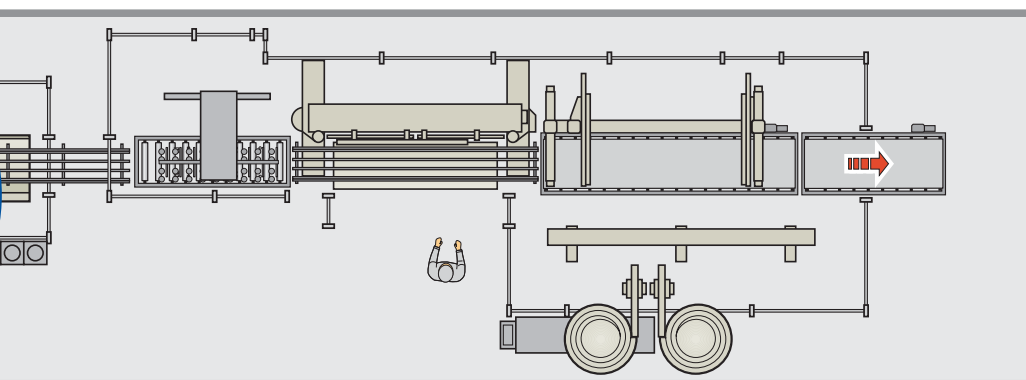




ABL 210



ABL 210



ABH, MLK, and BHH: Let the Specialists have a Go

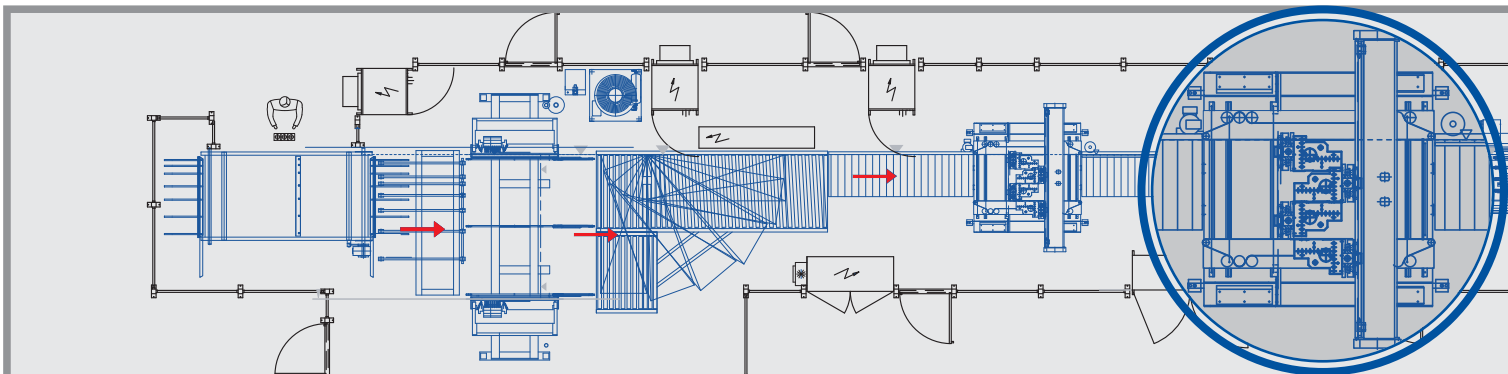


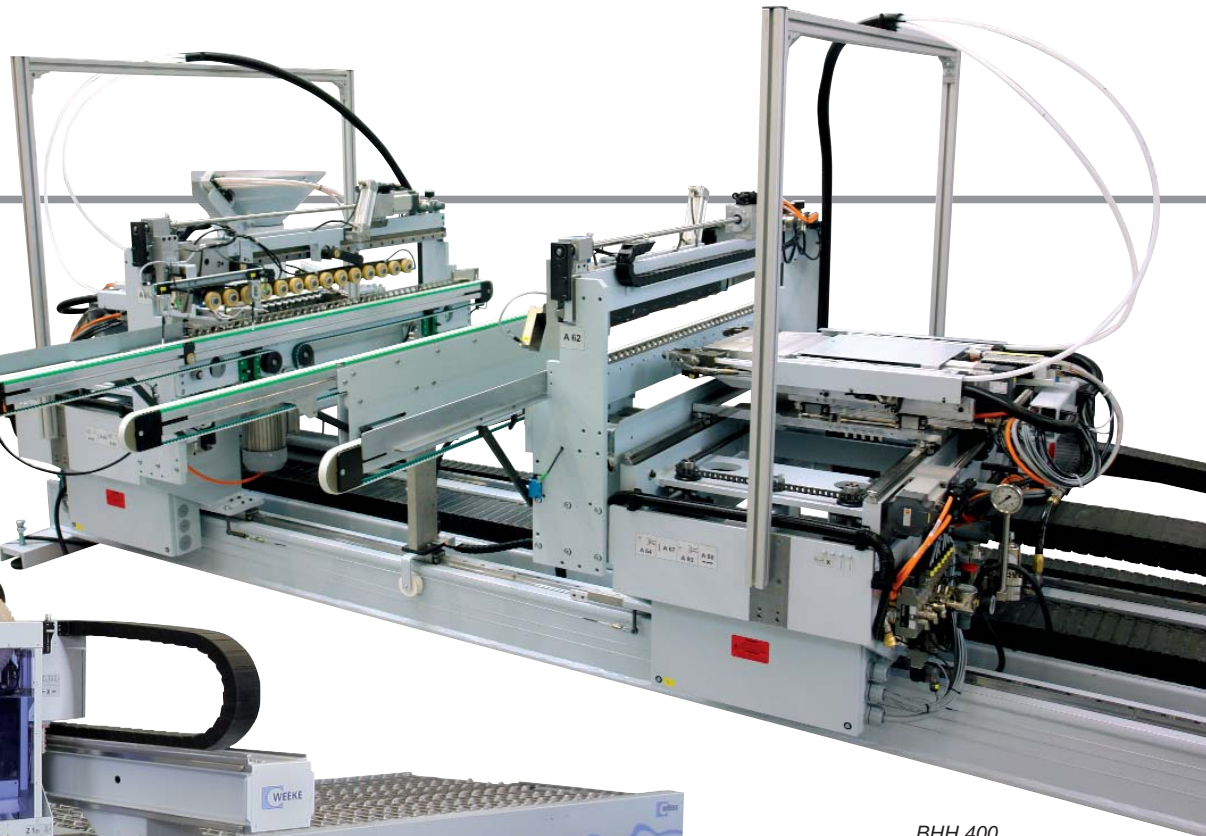
MLK 110

How good it is when special tasks present no special problems. For example, take our ABH, BHH, and MLK units. They perform those special tasks for which the ABL unit is not designed. For example, six-sided

drilling. Or if fittings have to be inserted from above or from below. To speed up the performance of the whole system, the MLK unit is suitable for vertical gluing. Or take the BHH horizontal drilling and

doweling system. Cross throughfeed allows two front edges to be processed simultaneously. Here, individuality means that the ABH, MLK, and BHH systems ideally supplement and complement our ABL machine.

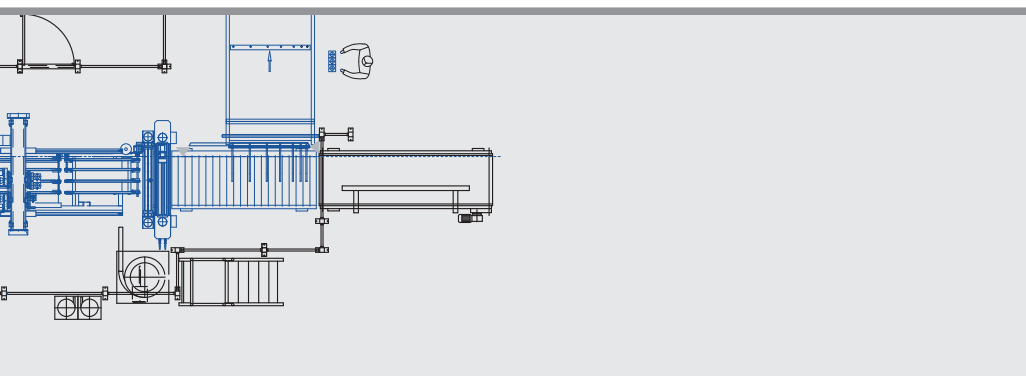
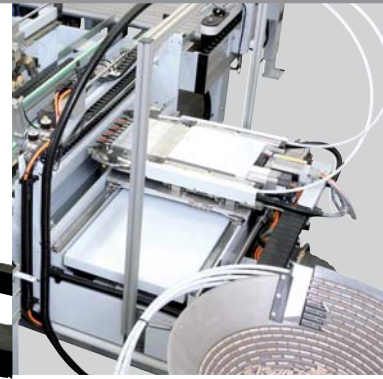




BHH 400



ABH 120



Carcass Presses MPC and MDE: Top-Performing Individualists – also in the Assembly Line



MDE 110 – electric continuous case clamp



MDE 160 – electric continuous case clamp with integrated nailing robot



MPC 300 – container clamp for office furniture

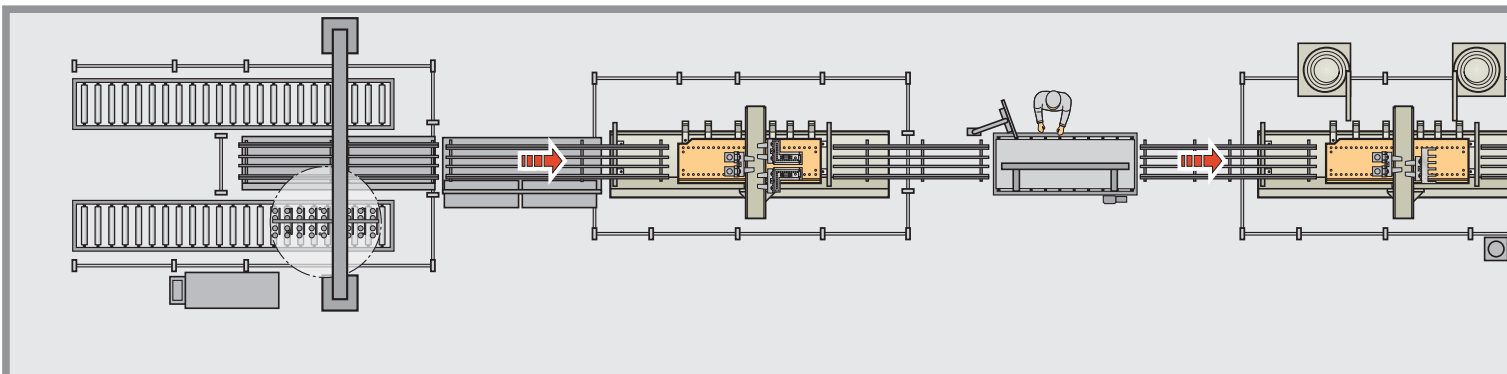


MPC 300 – container clamp for house and kitchen furniture

How good it is that our individualists are also excellent team players. And they never forget the task at hand: the design of your furniture. Take the MPC 400, for example. Whether with

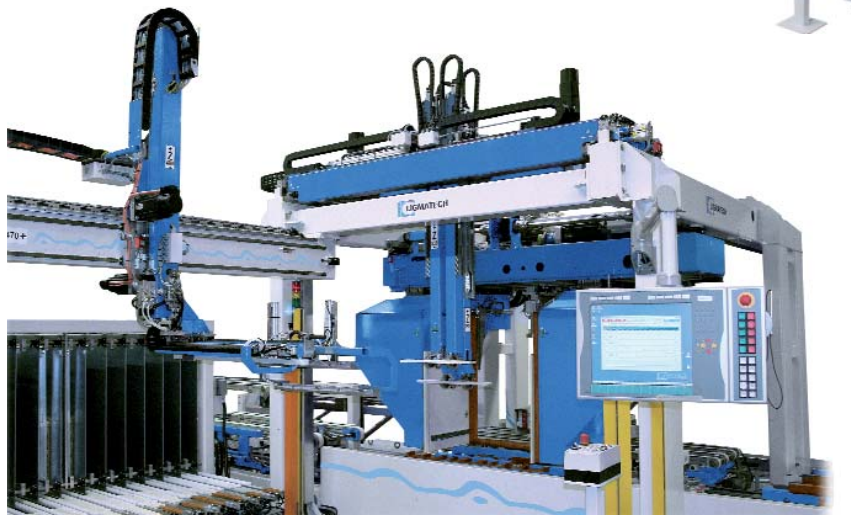
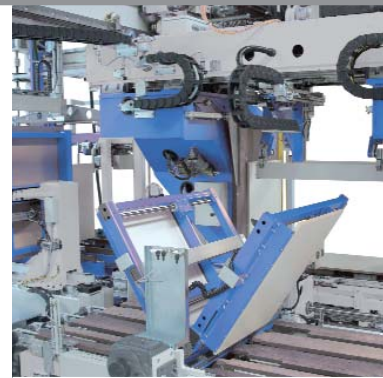
operator support or fully automated, its compact structural design, easy operability, and ergonomic concept stand out just as much as its line integration capability. In all modesty,

we mention our MDE 110 second. Because it is a world market leader. It can be used so universally that it has a special capability: it can fulfil individual wishes.

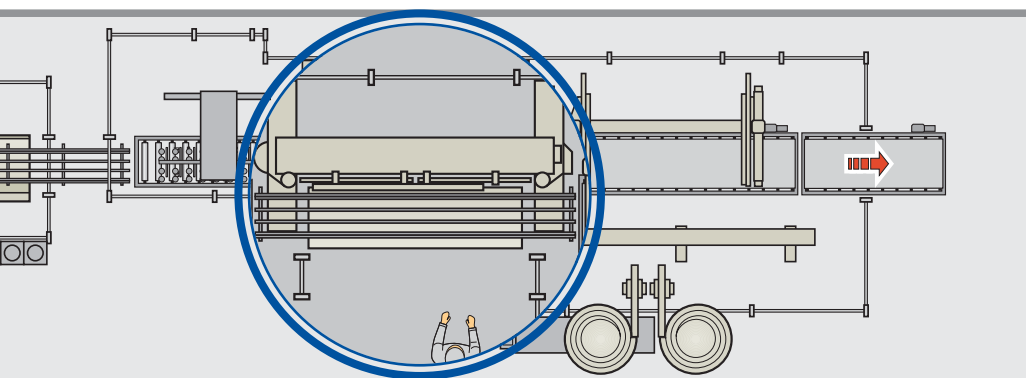




MPC 410 –
automatic jointing clamp



MPC 650 – automatic jointing clamp



Handling and Conveyor Technology: Get a Grip on your Components – We Do it Too



MTA 100/200



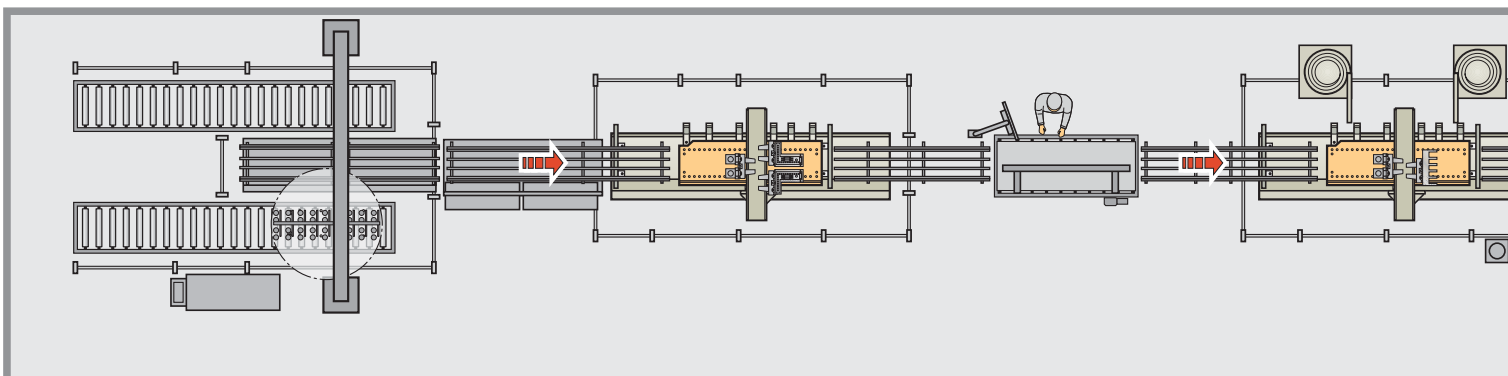
Vertically adjustable handling station MTH 100



Exploit your savings potentials. Our handling and conveyor technology makes things easier than you might think. After all, when the goods leave the carcass press this only marks the

start of a whole series of major tasks you face. Finished cupboards have to be transported, set up, packed, and brought to the dis-patch system. Gently, quickly, economically, and effi-

ciently. Use our handling and conveyor technology. Because your work processes are our job.

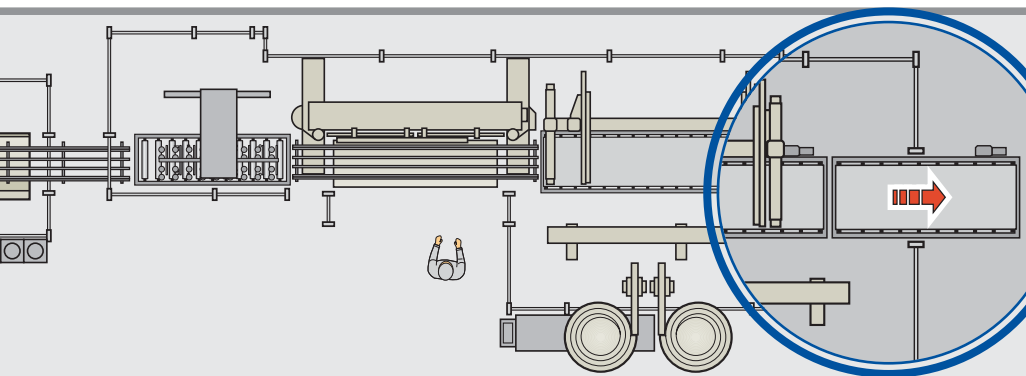
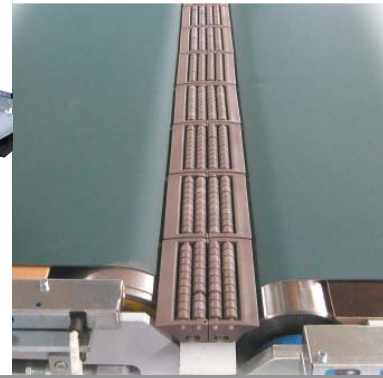




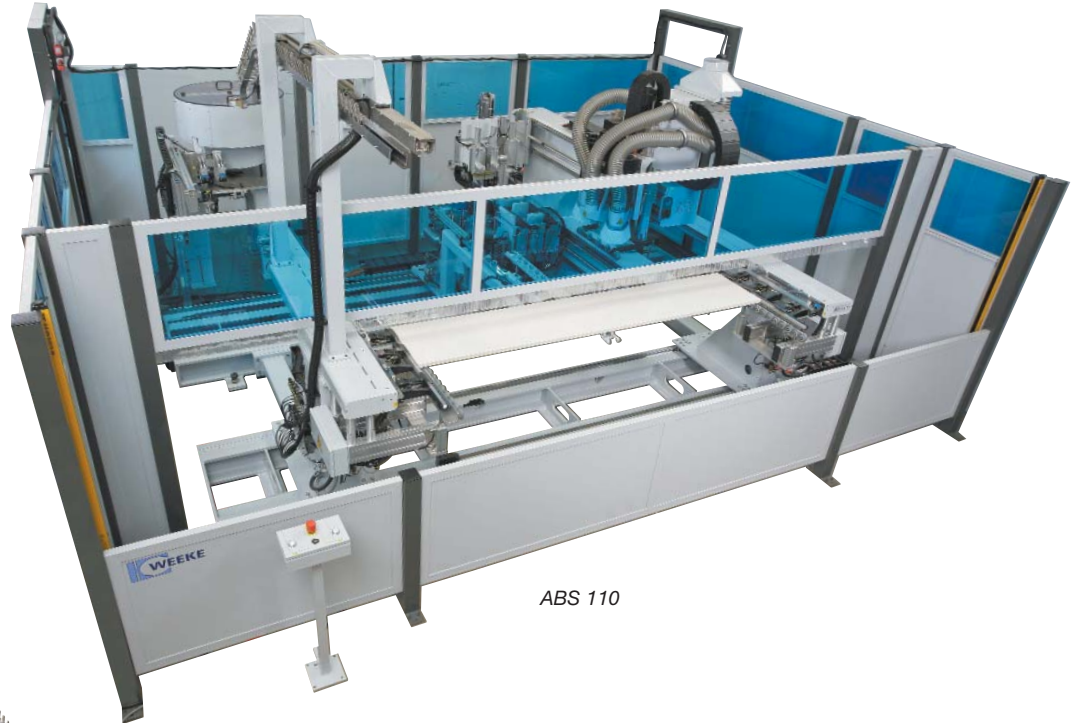
Final assembly
with vacuum lifter MTB 100



Carcass tilting device/station
MTK 100



CNC-Controlled Front Processing: From Modern to Extravagant



ABS 110



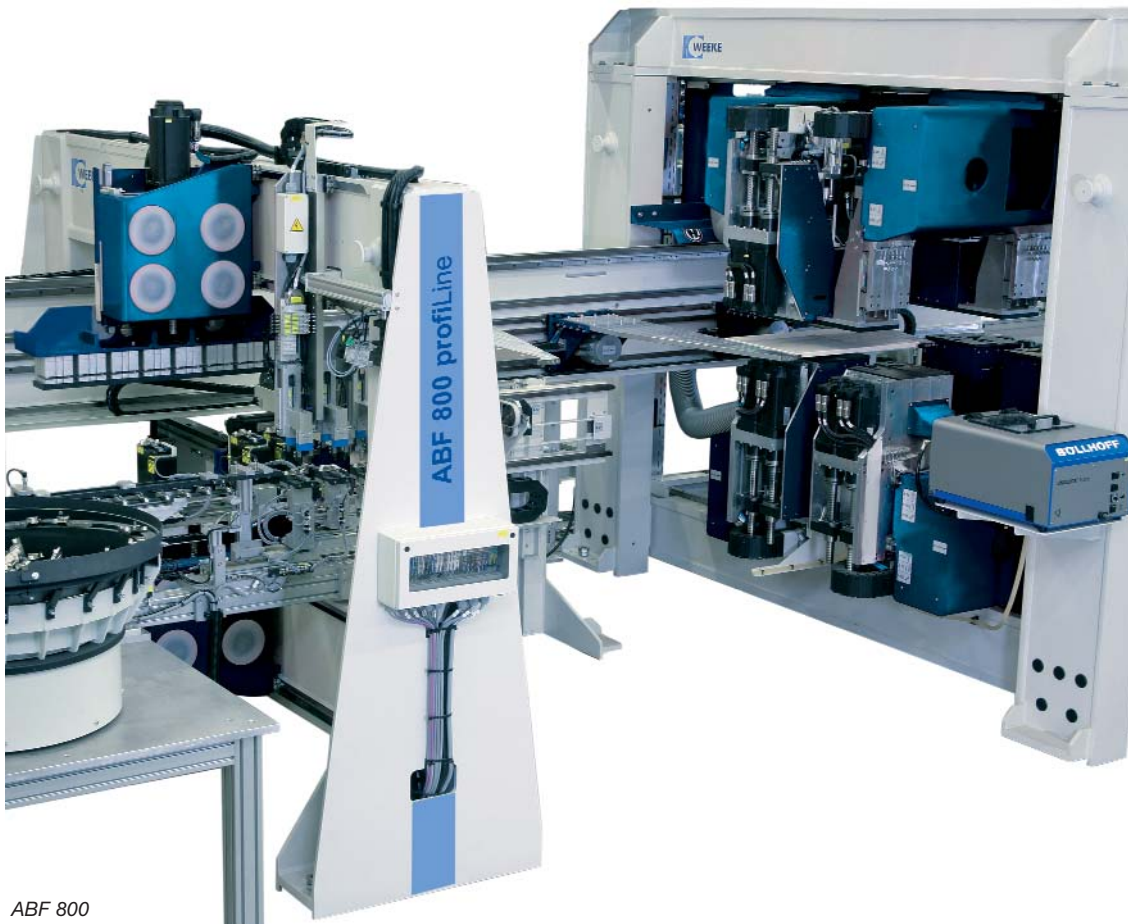
BMP 12

Let us take care of your most important component, the front of your furniture. Our CNC-controlled front processing will treat it as it deserves – gently, professionally, and efficiently.

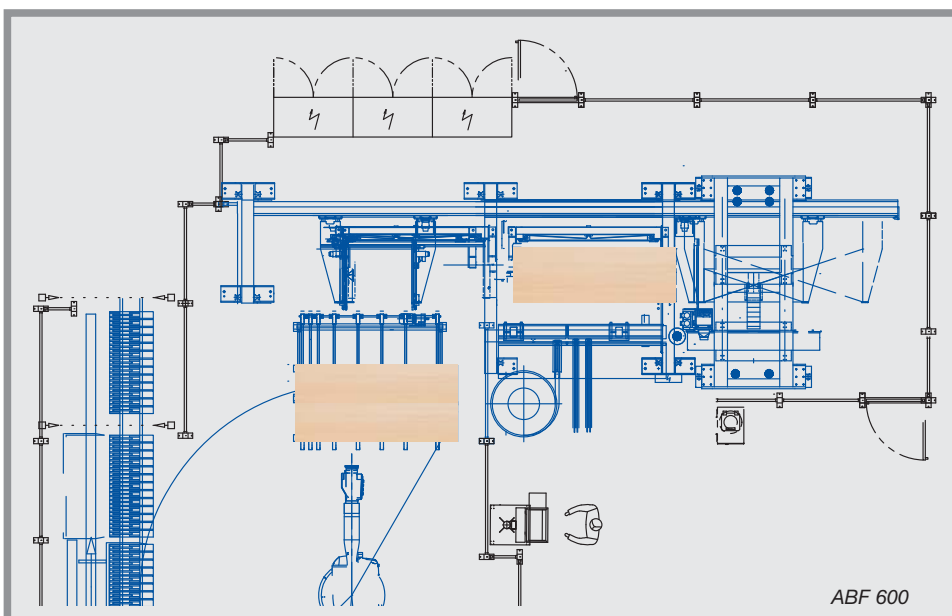
Regardless of whether the fronts are to be drilled or fitted – or both. Individuality is what is called for: We know the importance your customer places on the furniture fronts. This is

exactly why our machines are working at the cutting edge of technology for you.





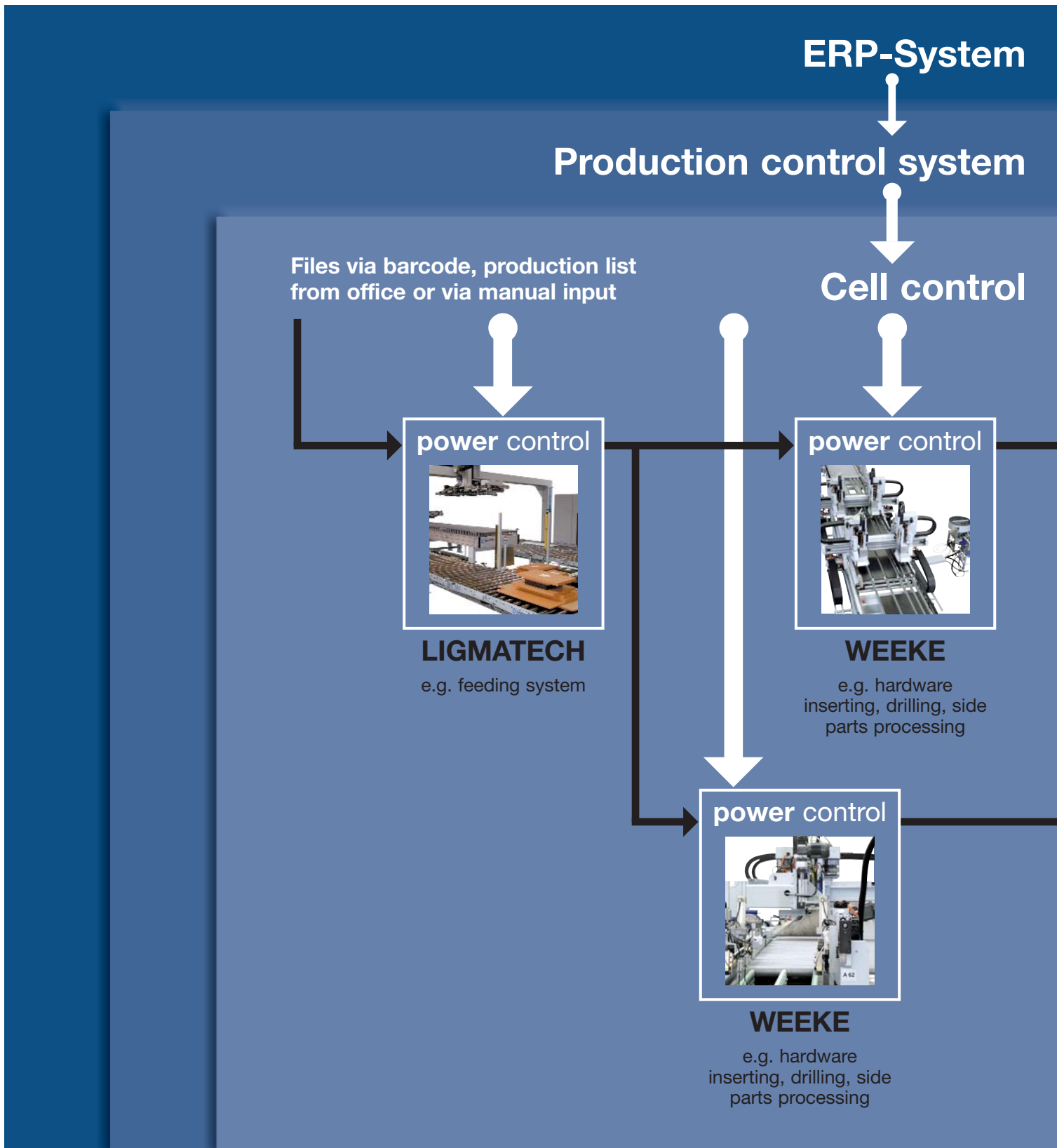
ABF 800



ABF 600



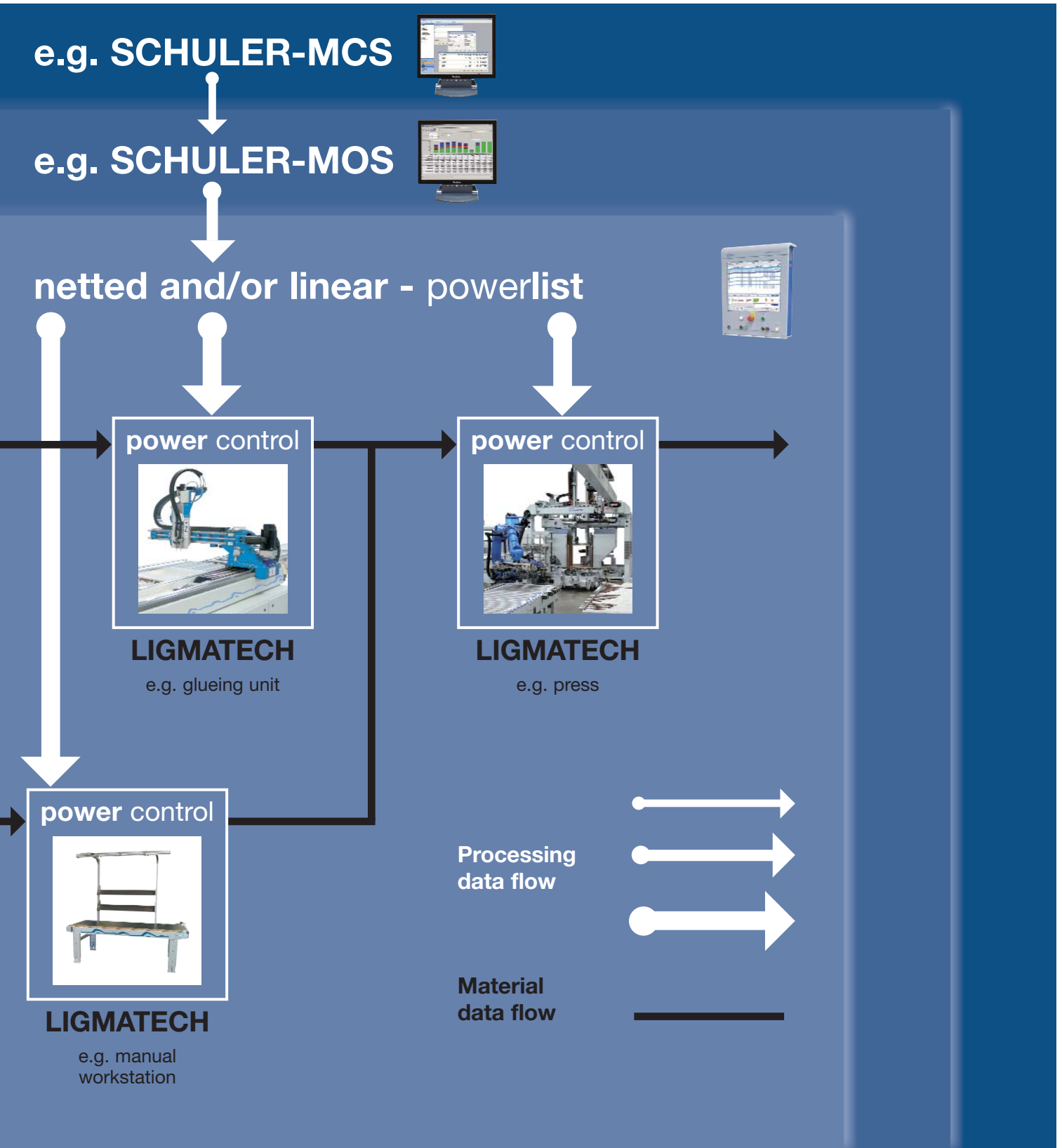
Our Line Control System – Secure and Simple



In your day-to-day business, you will worry about many things – yet one thing will certainly not cause you any anxiety: whether your computer system understands our machines.

Whether data handling, data transfer, data security, or external data readability, data diversity is an everyday thing for us. Here, individuality means we adjust to integrate into your exis-

ting network – not the other way around. Discreetly and smoothly. For we understand you.



Benefits:

- In-transfer and out-transfer is possible without the least difficulty
- If an error occurs, only the respective machine needs to be reset
- Hand operation easier to integrate via stand-alone solution

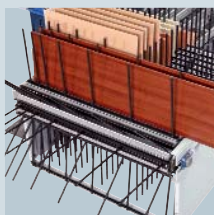
Our Assembly Systems: An Overview for Your Easier Orientation

Feeding systems



Belt transport

- MTB 200
- ZTG 200



Vertical buffer

- MTI 100



Gantry feeder

- ZPE 100



Gantry feeder with storage



Robot

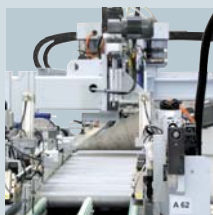
- RKR

Drilling and fitting



ABL 110-130 / 210-230 (length feeding)

- vertical drilling, horizontal drilling
- grooving, routing
- hardware inserting
- glueing unit



ABH 120 (length feeding)

- vertical drilling top and bottom
- horizontal drilling 4-sided
- grooving, routing top and bottom
- hardware inserting top and bottom
- glueing unit



BHH 400 (cross feeding)

- horizontal drilling
- horizontal glueing/doweling
- horizontal hardware inserting



MLK 110

- glueing unit



ABF 600/800

- hinge door- and front processing
- vertical drilling top/bottom
- routing top
- horizontal drilling
- buffer system and hardware inserting integrated



ABS 110/210

- hinge door- and front processing
- vertical drilling top/bottom
- routing top
- horizontal drilling
- buffer system and hardware inserting integrated



BMP 12

- hinge door- and front processing
- vertical drilling top/bottom
- hardware inserting integrated



Press systems



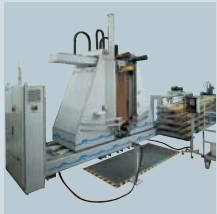
MDE 110

- electrical universal press
- for all corpuses



MDE 160

- electrical throughfeed press
- for all corpuses
- optional: woodWelding



MPC 100/200

- press for containers
- press for wall-units and floor-units



MPC 300

-



MPC 400

- automatical corpus press with automatical in-feed of side parts



MPC 500-650

- automatical korpuss press with automatical in-feed of all parts from the whole corpus

Handling, final assembly

Horizontal buffer system

- automatically or manual in-feed
- for length- and cross transport



Manual workstation MTB/HA



Corpus put up MTA 200



Corpus turning station MTK 150



Central turning station MTQ



Angle transfer ZTR 100/W



Final assembly station MTB 100



Vertically adjustable handling station MTH 100





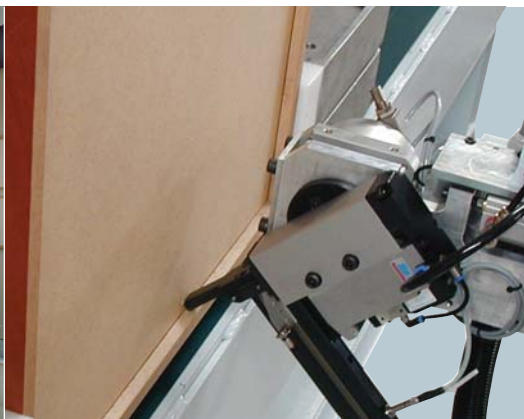


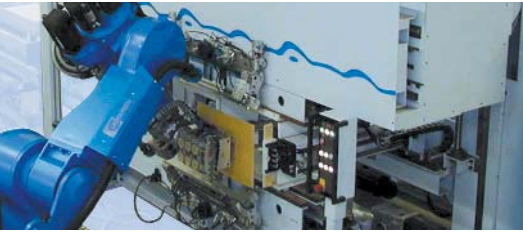
LIGMATECH & WEEKE – To a Good Partnership

How good a partnership really is usually comes out when one needs it. For us, partnership therefore means always being there for each other. With our service, our call-out advisory service, and with our Tele-Service-Net.

And we are naturally there for you when your company faces new challenges. You will then find that, together with our machines, you have also purchased a piece of future viability. With us you are in good hands.

To a good partnership – for the entire useful life of a machine.





LIGMATECH Automationssysteme GmbH

Ligmatech Straße 1
D-09638 Lichtenberg
GERMANY

Tel.: +49 (3 73 23) 16-0
Fax: +49 (3 73 23) 1 61 70
E-Mail: info@ligmatech.de
Internet: www.ligmatech.biz
www.ligmatech.net



WEEKE Bohrsysteme GmbH

Benzstraße 10-16
D-33442 Herzebrock-Clarholz
GERMANY

Tel.: +49 (52 45) 4 45-0
Fax: +49 (52 45) 4 45-1 39
E-Mail: info@weeke.de
Internet: www.weeke.de



Choose the Original
Choose Success!