

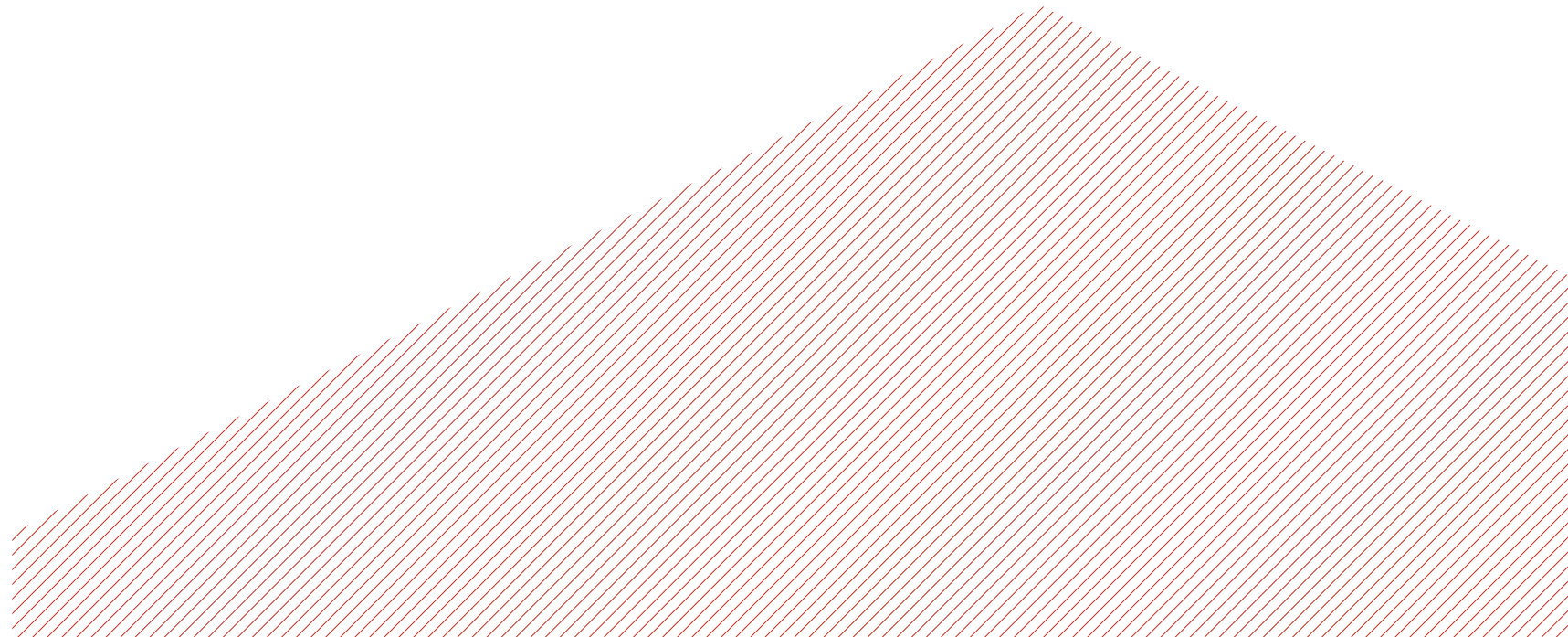
 **minimax**

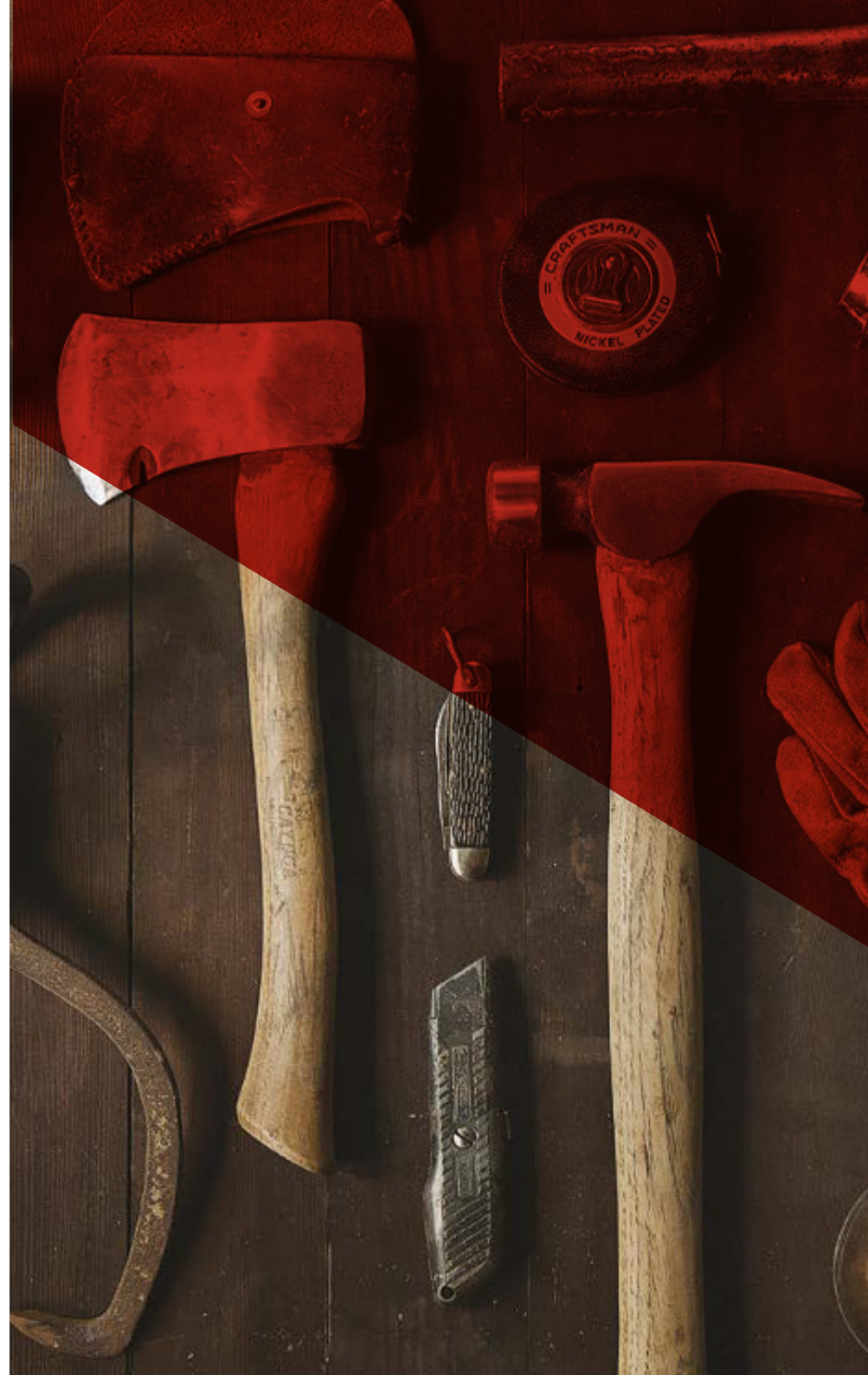
minimax





minimax





minimax



Scm Group

An industrial group, leader in the design, production and distribution of **technologically advanced solutions to process a wide range of materials** (wood, stone, plastic, metals and composite materials) with specialized brands for specific technologies and center of excellence qualified in industrial components, with presence on all 5 continents for over 60 years



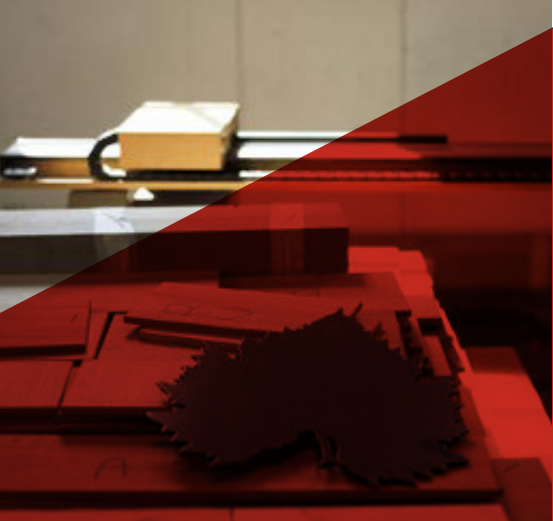
minimax

The passion that deserves professional products.

The tradition of MINIMAX branded products and technological innovation of SCM industrial group are the frame of the success in the woodworking machines world for hobbyists and woodworkers.

Practical, compact and robust, Minimax machines work with ease any kind of wood or derived guaranteeing the highest quality and reliability. With a production of over 10,000 machines per year, Minimax offers a wide range of products designed thinking at safety in the first place, to protect also the least experienced operators.

Minimax distributes professional machines through partnerships with the best dealers in the world, providing support pre and post-sales, sales training, training and technical assistance updates. These exclusive services combined with the knowledge of the market allow the dealers to successfully meet every client's need. The distribution network has 19 branches and over 350 selected dealers.



Minimax has UNI EN ISO 9001-2000 quality certification and operates from a 15.000 square meters production facility in the Republic of San Marino not far from Rimini, on Italy's Adriatic coast, where Minimax has five automated production lines.

minimax

our
strengths

experience and expertise

By choosing **Minimax** you can count on a considerable wealth of experience and expertise that is consolidated by being part of the **Scm Group**, global leader in the production of woodworking machinery, ever since the production of the first combined machine in 1952.

evolution

The attention to the customer woodworking requirements is the starting point in the development of Minimax solutions.

worldwide distribution

Minimax is always close at hand, with a consolidated network of branches and sales points in 120 countries, that can provide consultancies at home and an effective and widespread after-sales support service.

classical
machines

1/
10/73



/elite /30

special
machines

2/
74/103



/edge banders /76

/sanders /94

complementary
machines

3/
104/115



/dust collectors /106



/clamps /112



/elite s/12



/lab 300 plus/58



/genius/64



/classic/42



/routers/86



/woodturning lathes/90



/band saws/100



/radial saws/108



/chop saws/110



/horizontal mortisers/114



genius **64**

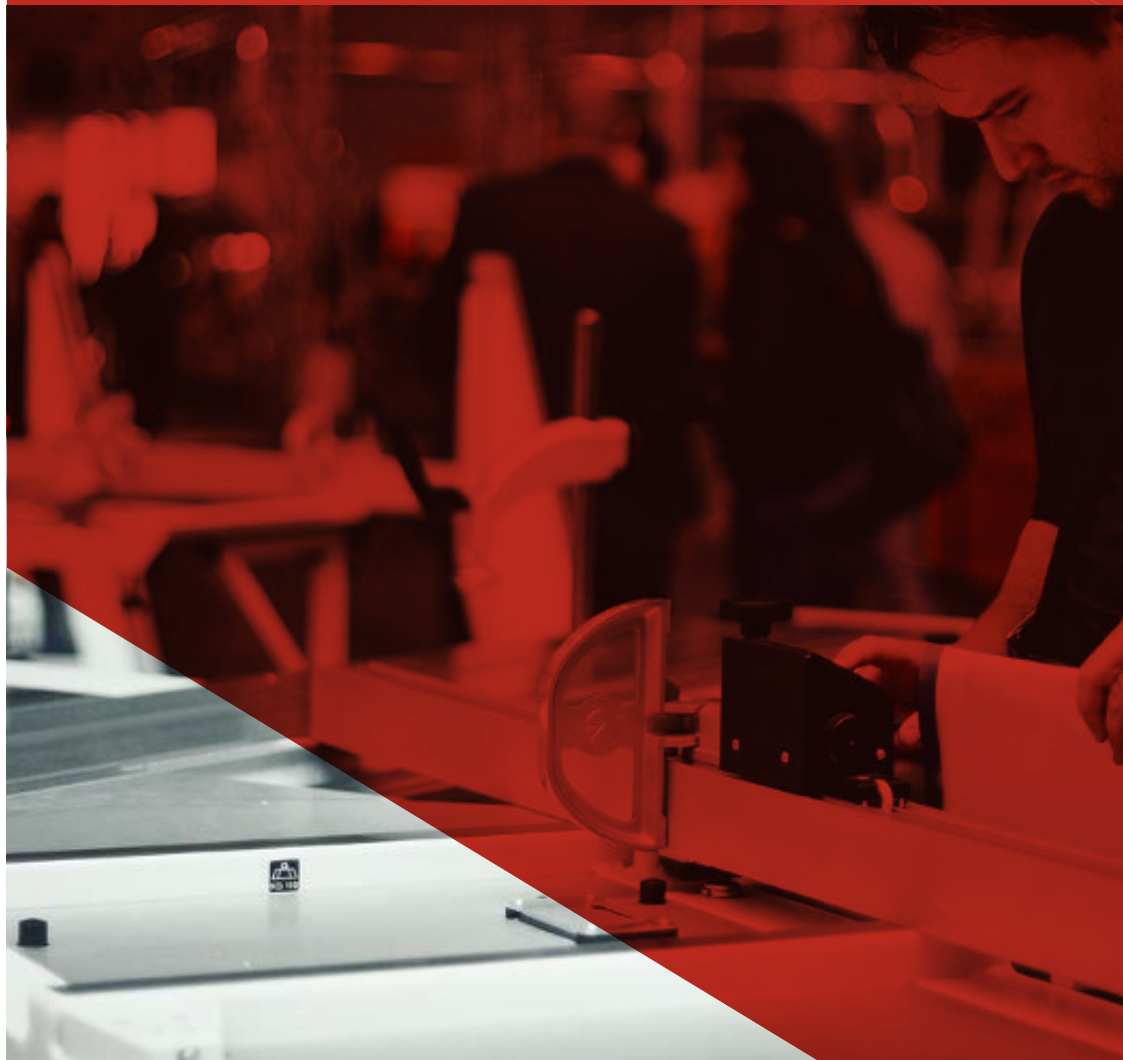
classic **42**

elite **30**
lab 300 plus **58**

elite s **12**



classical machines



FOR AN UNMATCHABLE
WORKING PRECISION
combination machines **14**

THE BEST THAT TECHNOLOGY CAN
OFFER AT AN ACCESSIBLE PRICE
planers **16**

elite S

maximum expression of professional
performances and technology

FOR UNCOMPROMISING
QUALITY
circular saws **20**

CUSTOMISATION
AND FLEXIBILITY
spindle moulders **22**

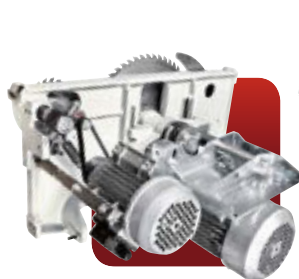
elite s combination machines

cu 410 universal combination machine
st 5 saw-spindle moulder



	cu 410 elite s	st 5 elite s
Planer useful working width	mm 410	-
Total length of surfacing tables	mm 2200	-
Max. saw blade diameter with scoring blade installed	mm 350	350
Squaring stroke	mm 2250 ÷ 3200	2250 ÷ 3200
Max. spindle length	mm 125	125
Three-phase motors starting from	kW/Hz 5 (6) / 50 (60)	5 (6) / 50 (60)

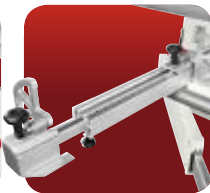
Find the complete technical specification at page 28



Saw Unit
unique worldwide



Surfacing tables
fast set up



Squaring Fence
immediate control



Spindle Moulder
unsurpassed moulding



Controls on Wagon
high-tech devices



Sliding Table
unrivalled cutting finishing

Technology and professional performances in the woodworking combination machines, for an unmatched working precision.

elite s planers

fs 52

f 52

s 52

surfacing-thicknessing planer

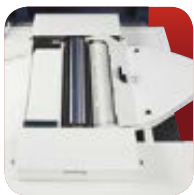
surfacing planer

thicknessing planer



		fs 52 elite s	f 52 elite s	s 52 elite s
Planer useful working width	mm	520	520	520
Cutterblock diameter (mm) / no. of standard knives	mm/n.	120 / 4	120 / 4	120 / 4
Total length of surfacing tables	mm	2250	2250	-
Min. ÷ max. working height on thicknesser	mm	3 ÷ 240	-	3 ÷ 240
Three-phase motors starting from	kW/Hz	7 (8) / 50 (60)	5 (6) / 50 (60)	7 (8) / 50 (60)

Find the complete technical specification at page 28



Planer Cutterblock
perfect finishing



Thickening Table
stability overtime



Planing Fence
absolute rigidity

Professional planers at an accessible price, for woodworking shops and demanding craftsmen that require high standard and no compromises.

elite s planers

fs 41

f 41

s 41

surfacing-thicknessing planer

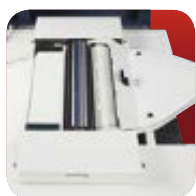
surfacing planer

thicknessing planer

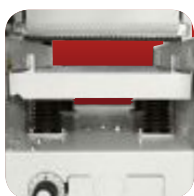


		fs 41 elite s	f 41 elite s	s 41 elite s
Planer useful working width	mm	410	410	410
Cutterblock diameter (mm) / no. of standard knives	mm/n.	95 / 4	95 / 4	95 / 4
Total length of surfacing tables	mm	2200	2200	-
Min. ÷ max. working height on thicknesser	mm	3 ÷ 240	-	3 ÷ 240
Three-phase motors starting from	kW/Hz	5 (6) / 50 (60)	5 (6) / 50 (60)	5 (6) / 50 (60)

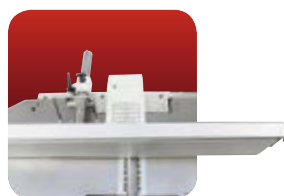
Find the complete technical specification at page 28



Planer Cutterblock
perfect finishing



Thickening Table
stability overtime



Planing Fence
absolute rigidity

Professional planers at an affordable price,
for joineries and demanding craftsmen that
do not settle for less.

elite s
 circular saws
 si 400
 si 315



	si 400 elite s	si 315 elite s
Max. saw blade diameter with scoring blade installed	mm 400	315
90°/45° max. saw blade projection from table	mm 138 / 98	101 / 71
Cutting width on parallel fence	mm 1270	1270
Squaring stroke	mm 2600 ÷ 3200	2600 ÷ 3200
Three-phase motors starting from	kW/Hz 5 (6) / 50 (60)	5 (6) / 50 (60)

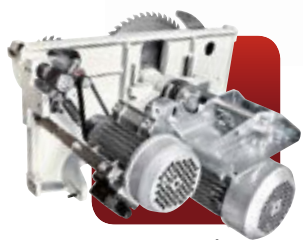
Find the complete technical specification at page 28



minimax



si 315 elite s



Saw Unit
unique worldwide



Powered Movements
high-tech devices



Squaring Fence
immediate control



Controls on Wagon
high-tech devices



Sliding Table
unrivalled cutting finishing

Professional circular saws with tilting blade for uncompromising quality.

elite s spindle moulders

t 55 w with fixed or tilting spindle
t 55 with fixed spindle



	t 55 w elite s	t 55 elite s
Max. useful spindle length	mm 125	125
Max. tool diameter when profiling	mm 210 ÷ 240	210 ÷ 240
Max. tool diameter lowered under the table at 90°	mm 240	240
Max. tool diameter when tenoning	mm 320 (300 no CE)	-
Three-phase motors starting from	kW/Hz 5 (6) / 50 (60)	5 (6) / 50 (60)

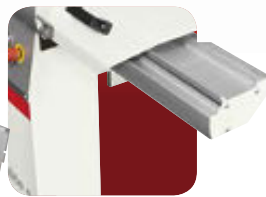
Find the complete technical specification at page 28



Spindle Moulder
unsurpassed moulding



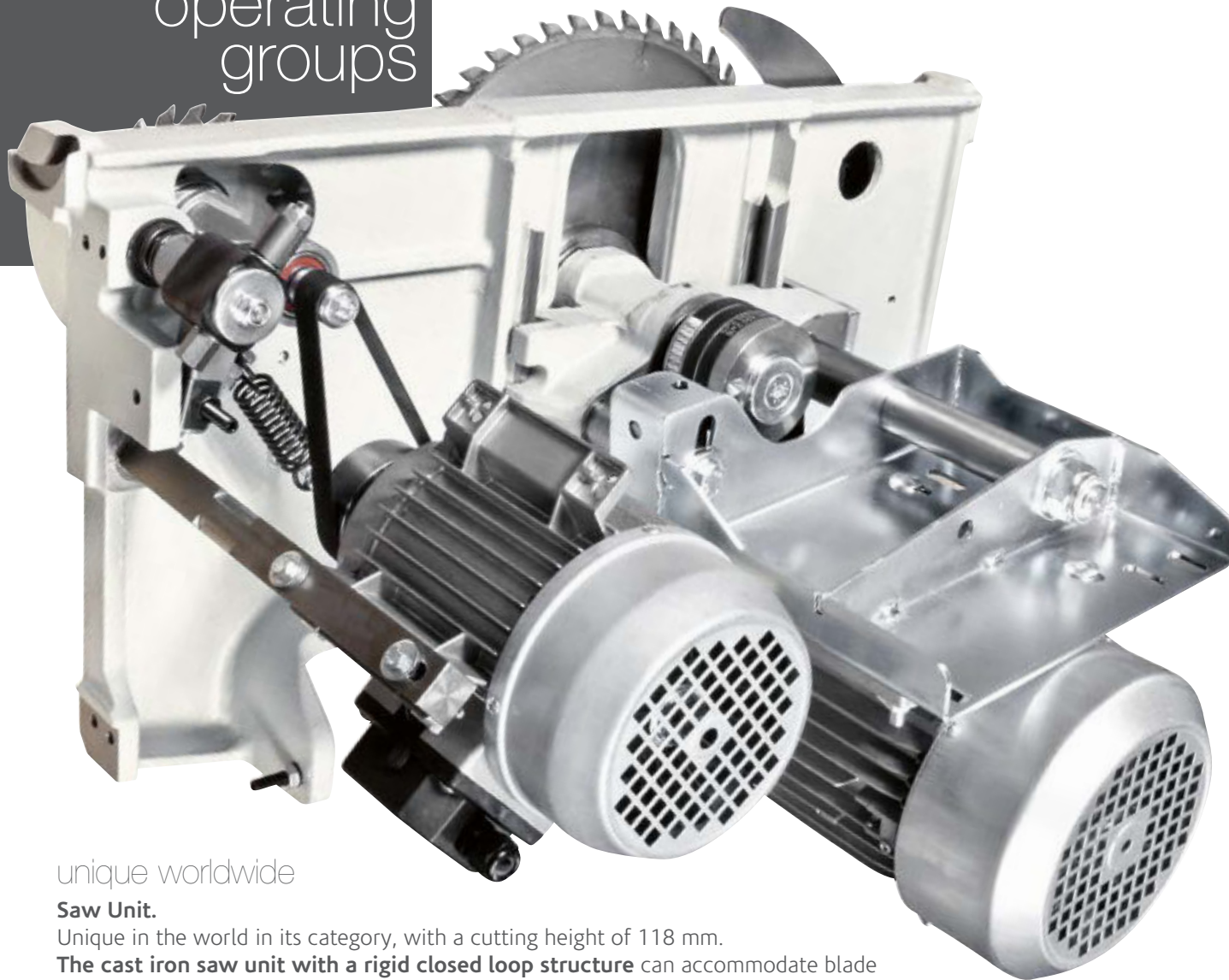
Moulder Guide
high-tech devices



Sliding Table
unrivalled cutting finishing

The professional spindle moulders that allow for customization and flexibility, for woodworking shops and demanding craftsmen.

elite s
operating
groups



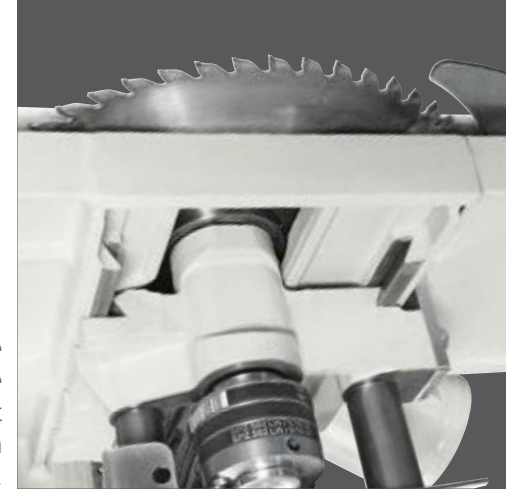
unique worldwide

Saw Unit.

Unique in the world in its category, with a cutting height of 118 mm.

The cast iron saw unit with a rigid closed loop structure can accommodate blade of 315 and 350 mm in diameter (up to 400 mm for si 400 elite s) **with the scoring blade mounted**, and ensuring perfect and easy cutting of veneer panels and thick solid wood material. The saw blade uses 100% of the motor power, thanks to the **scoring blade with an independent motor as standard.**

The lifting of the blade unit is done by a robust cast iron structure with dovetail system.



The rotation fulcrum of the oscillating body has a 120 mm diameter and stands on a steady rest that separates it from the base: a rigid, reliable solution.



90° ÷ 45°

The scoring blade is adjustable from the outside without tools, and allows fast and accurate positioning with no play.





high-tech devices

Controls on Wagon.

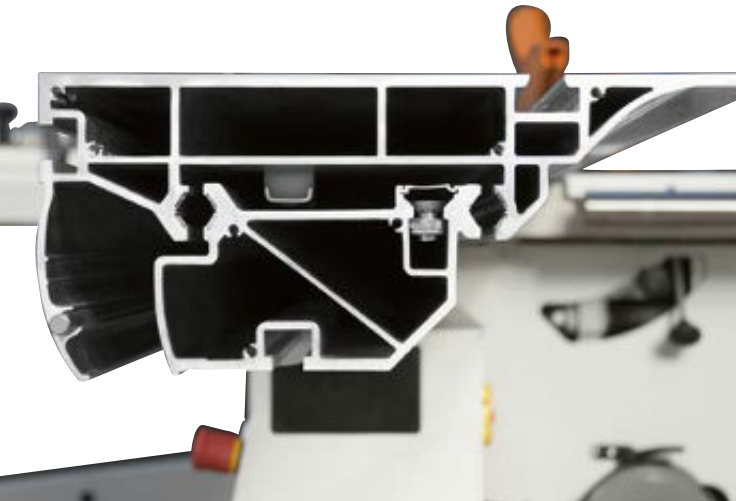
Wide range of high-tech devices to make your Elite S even more powerful and personalized, like the **start/stop pushbuttons for the main blade and scoring blade integrated in the sliding carriage**; very useful when machining large dimensioned work pieces that prevent an easy and safe access to the main machine control panel.



immediate control

Squaring Frame and Fence.

Panel loading is easy on the **large squaring frame** with an idle roller at the end. **The telescopic squaring fence with the inclined metric scale and two reversible stops** allows a constant and immediate control of the cut, and can be used to square panels measuring 3200 x 3200 mm and for miter cuts at up to 45 degrees on both sides of the frame.



unrivalled cutting finishing

Sliding Table.

Optimal support also to larger pieces, with the **sliding table 360 mm wide**. Exceptional precision and smoothness. To secure the guides is not used glue since the thickness could affect sliding. They are secured with a procedure for aluminum riveting.

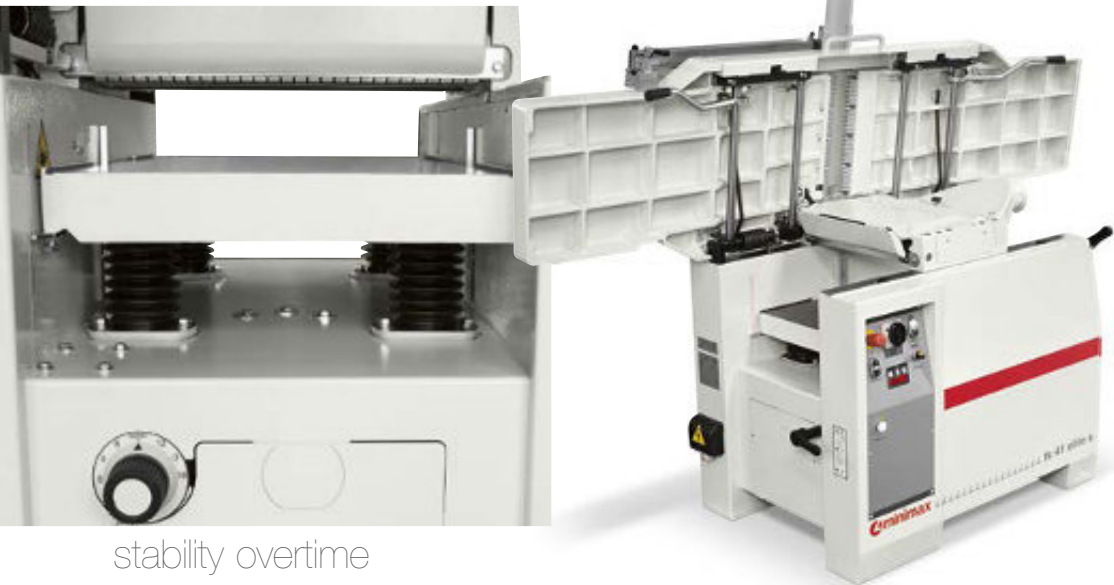


elite s operating groups

absolute rigidity

Planing Fence.

High rigid fence with a smooth movement thanks to the **central locking on round bar**.



stability overtime

Thickening Table.

Comfortable and precise planing. The Elite S series adopt ergonomic solutions like the **2200 mm surfacing planer tables**, in ribbed cast iron, with simultaneous opening towards the inside of the machine with a 90° angle. For a maximum long lasting stability the cast iron table lifts on **4 spindles with trapezoidal threads dust protected**.



perfect finishing


Planer Cutterblock.

An optimal planing with minimal effort, thanks to the 95 mm diameter cutterblock (120 mm in planers of 520 mm working width) and 4 knives. For an impeccable finish, the pressure of the thickener feed rollers can be adjusted according to the type of wood machined. The roller infeed (A) has a **helicoidal profile** to guarantee firm and constant workpiece feed, while the outfeed roller (B) in sandblasted steel maintains the perfect post-processing finishing.



A

B



The spindle is surrounded by a cast iron “cup” to **protect the internal mechanical components** from shavings and sawdust.

unsurpassed moulding

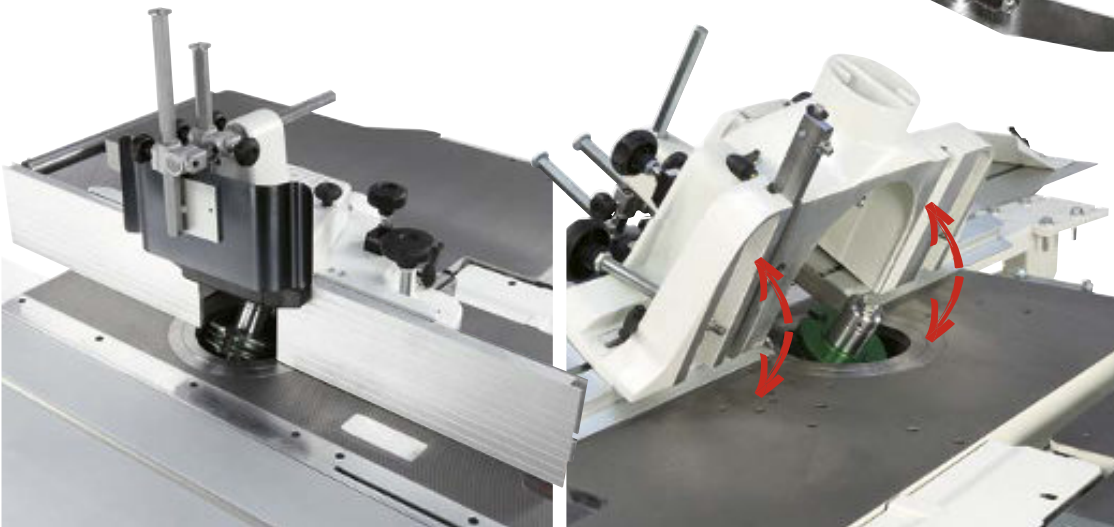
Spindle Moulder.

Maximum stability and rigidity in all working conditions, thanks to a large spindle moulder column made entirely of cast iron. The 4 standard speeds are ideal for any type of machining, from moulding to routing, tenoning with the possibility to fit tools up to 320 mm of diameter (300 mm no CE).

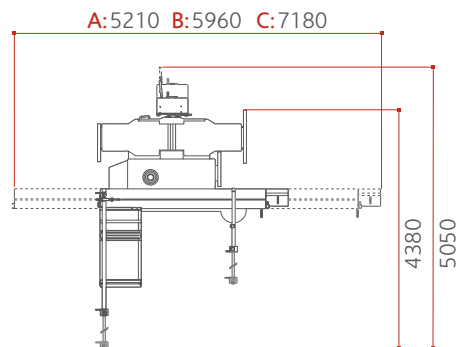
high-tech devices

Moulder Guide.

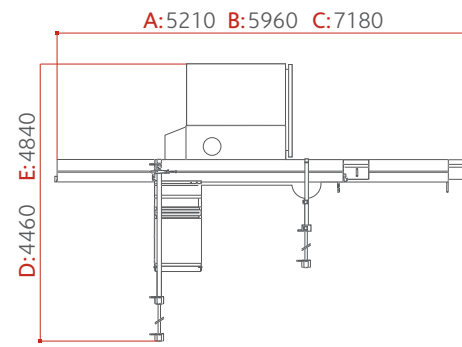
The spindle moulder hood uses a system for adjusting the guides with a rack and is fitted with a mechanical digital readout. Thanks to the **system of memories**, (optional on t 55 and t 55w elite s) the hood can be removed and repositioned without losing the machining position. The maximum tool diameter on the spindle moulder unit lowered under the table at 90 degrees is 240 mm. On request is available with a spindle that tilts 45 degrees (towards the inside of the machine).



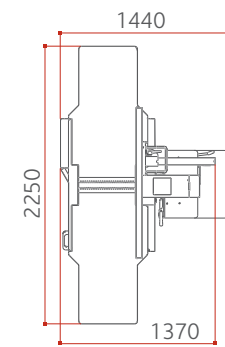
elite s dimensions and technical data



cu 410

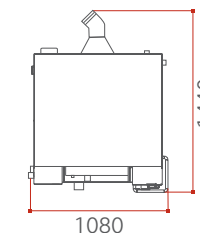


st 5



fs 52

f 52

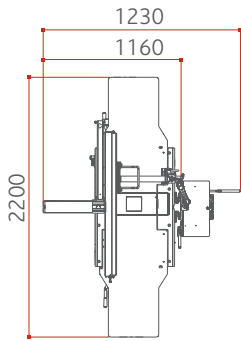


s 52

- A** with wagon 2250 mm
 - B** with wagon 2600 mm
 - C** with wagon 3200 mm
 - D** with 900 mm* cutting width
 - E** with 1270 mm* cutting width
- *at the parallel fence

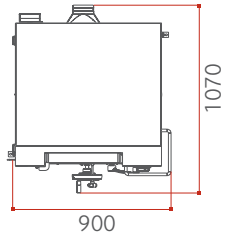
		cu 410 elite s	st 5 elite s	fs 52 elite s
Planer				
Working width	mm	410	-	520
Cutterblock diameter (mm) / no. of standard knives	mm/n.	95 / 4	-	120 / 4
Dimensions of standard knives	mm	410 x 30 x 3	-	520 x 30 x 3
Max. stock removal	mm	5	-	5
Surfacing tables total length	mm	2200	-	2250
Thicknessing table dimensions	mm	410 x 775	-	520 x 850
Feed speed on thicknesser	m/min	6 / 12	-	5 / 8 / 12 / 18
Min. ÷ max. working height on thicknesser	mm	3 ÷ 240	-	3 ÷ 240
Circular saw				
Cast iron saw-spindle moulder worktable dimensions	mm	1380 x 465	1380 x 465	-
Saw blade tilting		90° ÷ 45°	90° ÷ 45°	-
Max. saw blade diameter with scoring blade installed	mm	350	350	-
Max. saw blade projection from table at 90°/45°	mm	118 / 84	118 / 84	-
Squaring stroke	mm	2250 ÷ 3200	2250 ÷ 3200	-
Cutting width on parallel fence	mm	1000	900 ÷ 1270	-
Spindle moulder				
Max. useful spindle length	mm	125	125	-
Spindle moulder speeds (at 50 Hz)	rpm	3500/6000/8000/10.000	3500/6000/8000/10.000	-
Max. tool diameter when profiling	mm	240	240	-
Max. diameter of tool lowered under the table at 90°	mm	240	240	-
Max. tool diameter when tenoning	mm	320 (300 no CE)	320 (300 no CE)	-
Other technical features				
Three-phase motors 5 kW (6,6 hp) 50 Hz - 6 kW (8 hp) 60 Hz		S	S	-
Three-phase motors 7 kW (9,5 hp) 50 Hz with automatic star-delta start		O	O	S
Three-phase motors 9 kW (12 hp) 50 Hz - 11 kW (15 hp) 60 Hz with automatic star-delta start		-	-	O
Single-phase motors 2,2 kW (3 hp) 50 Hz		-	-	-
Single-phase motors S1 3,6 kW (4,8 hp) 60 Hz		O	O	O
Exhaust outlets diameter	mm	120	120	120

S Standard
O Optional

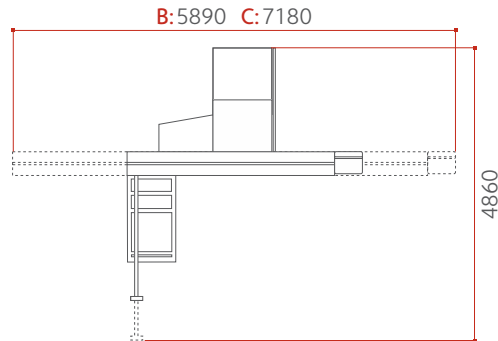


fs41

f41

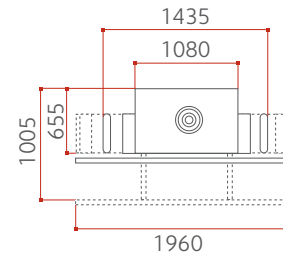


s41

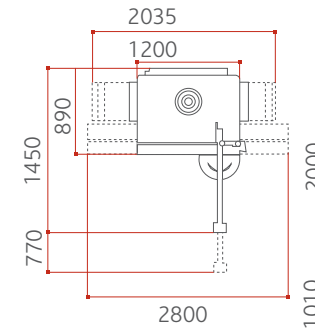


si400

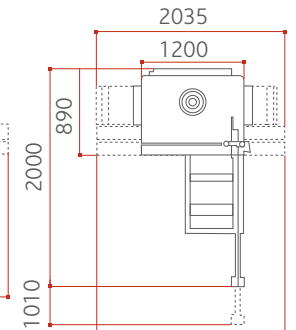
si315



t55



t55w



t55w

with frame support

f 52 elite s	s 52 elite s	fs 41 elite s	f 41 elite s	s 41 elite s	si 400 elite s	si 315 elite s	t 55 w elite s	t 55 elite s
520	520	410	410	410	-	-	-	-
120 / 4	120 / 4	95 / 4	95 / 4	95 / 4	-	-	-	-
520 x 30 x 3	520 x 30 x 3	410 x 30 x 3	410 x 30 x 3	410 x 30 x 3	-	-	-	-
5	5	5	5	5	-	-	-	-
2250	-	2200	2200	-	-	-	-	-
-	520 x 850	410 x 775	-	410 x 775	-	-	-	-
-	5 / 8 / 12 / 18	6 / 12	-	6 / 12	-	-	-	-
-	3 ÷ 240	3 ÷ 240	-	3 ÷ 240	-	-	-	-
-	-	-	-	-	940 x 560	940 x 560	-	-
-	-	-	-	-	90° ÷ 45°	90° ÷ 45°	-	-
-	-	-	-	-	400	315	-	-
-	-	-	-	-	138 / 98	101 / 71	-	-
-	-	-	-	-	2600 ÷ 3200	2600 ÷ 3200	-	-
-	-	-	-	-	1270	1270	-	-
-	-	-	-	-	-	-	125	125
-	-	-	-	-	-	-	3500/6000/8000/10.000	3500/6000/8000/10.000
-	-	-	-	-	-	-	210 ÷ 240	210 ÷ 240
-	-	-	-	-	-	-	240	240
-	-	-	-	-	-	-	320 (300 no CE)	-
S	-	S	S	S	S	S	S	S
O	S	O	-	O	O	O	O	O
-	O	-	-	-	-	-	-	-
-	-	-	-	-	-	-	O	O
O	O	O	O	O	O	O	O	O
120	120	120	120	120	120	120	120	120





elite

solid, flexible and
economical

FOR A SUPERIOR QUALITY
FINISH PRODUCT

combination machines **32**

ACCURATE AND EFFICIENT ON
EVERY WORKING PROCESS

combination machines **34**
and circular saws

elite combination machines

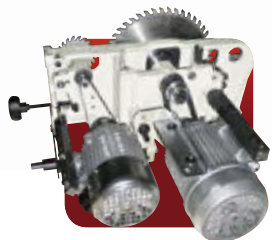
cu 410
fs 41

universal combination machine
surfacing-thicknessing planer



	cu 410 elite	fs 41 elite
Planer useful working width	mm 410	410
Total length of surfacing tables	mm 2000	2000
Min ÷ max working height on tricknesser	mm 3 ÷ 240	3 ÷ 240
Max. saw blade diameter with scoring blade installed	mm 315	-
Max. useful spindle length	mm 125	-
Three-phase motors starting from	kW/Hz 4 (4,8) / 50 (60)	4 (4,8) / 50 (60)

Find the complete technical specification at page 40



Saw Unit
stability and rigidity



Planer Cutterblock
perfect finishing



Spindle Moulder
versatility



Moulder Guide
high-tech devices



Digital Readout
high-tech devices



Sliding Table
precise and silent

Solid, flexible and affordable machines for woodworking shops and demanding craftsmen that want to achieve a qualitatively superior finished product.

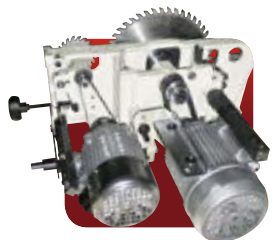
elite combination machines-saws

st 4 saw-spindle moulder
sc 4 circular saw



	st 4 elite	sc 4 elite
Max. saw blade diameter with scoring blade installed	mm 315	315
Squaring stroke	mm 1600 ÷ 3200	2250 ÷ 3200
Spindle moulder length	mm 125	-
Three-phase motors starting from	kW/Hz 4 (4,8) / 50 (60)	4 (4,8) / 50 (60)

Find the complete technical specification at page 40



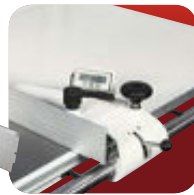
Saw Unit
stability and rigidity



Spindle Moulder
versatility



Moulder Guide
high-tech devices



Digital Readout
high-tech devices



Sliding table
precise and silent

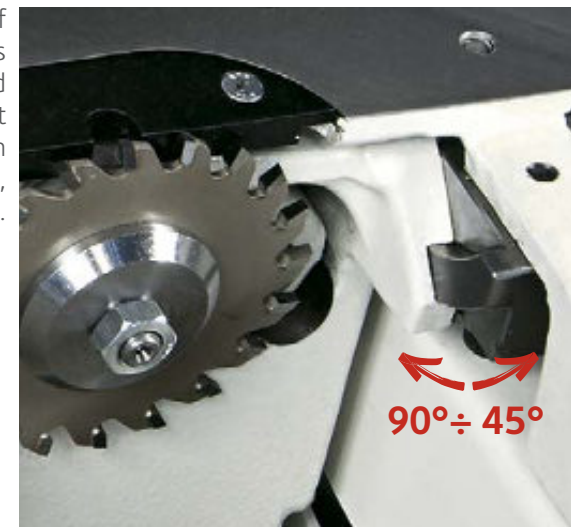
elite
operating
groups



The lifting of the blade unit is done by a robust cast iron structure with dovetail system.



The rotation fulcrum of the oscillating body has a 120 mm diameter and stands on a steady rest that separates it from the base: a rigid, reliable solution.



The scoring blade is adjustable from the outside without tools, and allows fast and accurate positioning with no play.



stability and rigidity

Saw Unit.

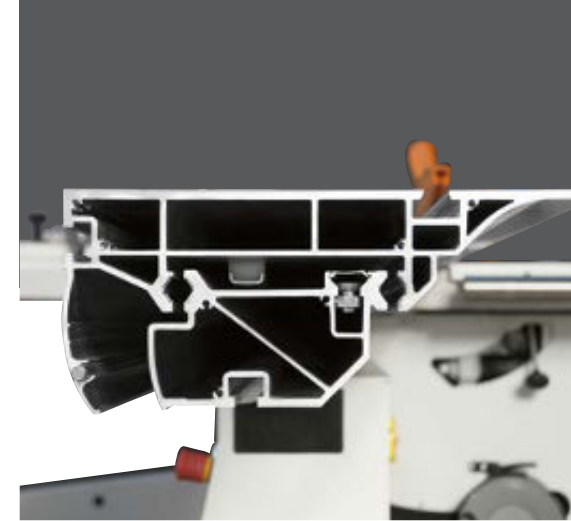
The new **saw unit closed loop structure is made of a heavy cast iron** and is supported firmly under the table by two lateral supports in a crescent shape. These solutions give strength and rigidity, guaranteeing perfect cutting results. The saw unit can be equipped, on request, with scoring blade for perfect cutting even on veneered panels. The scoring blade is an optional available in two version: with belt transmission from the main engine, and with an independent motor 0,75 HP (0,55 kW). The maximum diameter allowed for the main saw is **315 mm with scoring blade**.



precise and silent

Sliding Table.

Optimal support also to larger pieces, with the **sliding table 360 mm wide**. Exceptional precision and smoothness. To secure the guides is not used glue since the thickness could affect sliding. They are secured with a procedure for aluminum riveting.



high-tech devices

Digital Readout.

A round cross-section sliding bar for the parallel fence (optional cu 410 elite) with micrometric adjustments ensures a smooth, fast and especially precise positioning of the fence. The support of the fence can also be equipped with a **digital readout** with the sensor running on a magnetic stripe (optional).

Panel loading is easy on the **large squaring frame** with an idle roller at the end. **The telescopic squaring fence with two reversible stops allows** to square panels measuring 3200 x 3200 mm and for miter cuts at up to 45 degrees on both sides of the frame.

elite
operating
groups



A

B

perfect finishing

Planer Cutterblock.

The Elite planer unit stands on cast iron supports and the standard version has a 87 mm diameter cutterblock with 3 knives. (The optional "Tersa" cutterblock is available with 4 quick tightening knives and automatic adjustment).

For an impeccable finish, the pressure of the thicknesser feed rollers can be adjusted according to the type of wood machined.

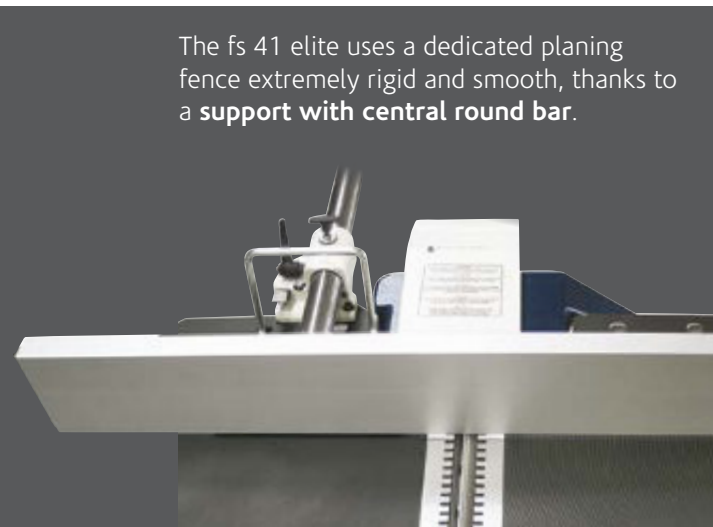
The roller infeed (A) has a **helicoidal profile** to guarantee firm and constant workpiece feed, while the outfeed roller (B) in sandblasted steel maintains the perfect post-processing finishing.

Two feed speeds for the thicknesser (6 – 12 m/min.). In Cu 410 elite the tables open towards the circular saw – spindle moulder side: an ergonomic solution with minimum dimensions.

functional and customizable

A machine even more versatile: with the practical **mortiser** (option) drilling holes or mortises are easily done.

The fs 41 elite uses a dedicated planing fence extremely rigid and smooth, thanks to a **support with central round bar**.



versatility

Spindle Moulder.

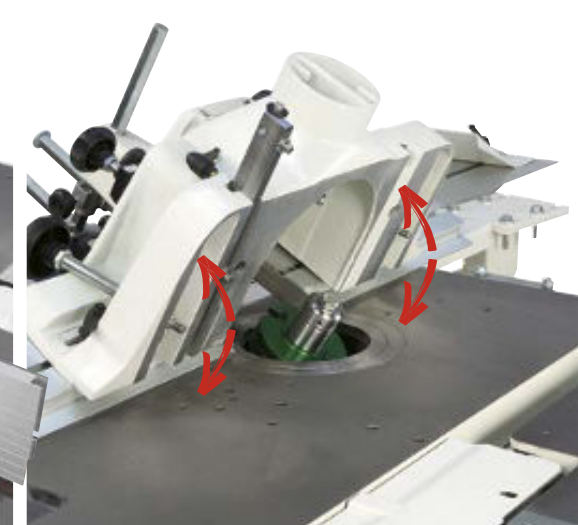
Maximum stability and rigidity in all working conditions, thanks to a large spindle moulder column made entirely of cast iron. The 4 standard speeds are ideal for any type of machining, from moulding to routing, tenoning with the possibility to fit tools up to 275 mm of diameter. The spindle is surrounded by a cast iron "cup" to **protect the internal mechanical components** from shavings and sawdust.



high-tech devices

Moulder Guide.

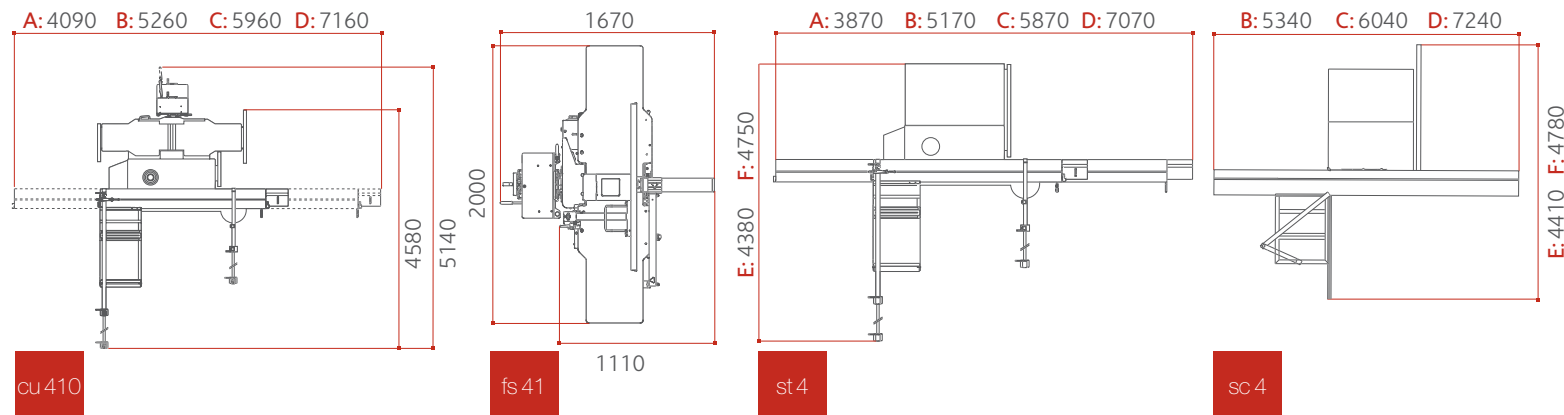
The spindle moulder hood standard (A) can house tools of maximum diameter 210 mm. Available as an option, the spindle moulder hood that uses an adjustment system of the guides through rack and it has a mechanical digital readout (B). Thanks to the **memories system**, the hood can be removed and replaced without losing the operating position. The maximum capacity of the tool used in profiling is 240 mm in diameter. It is available, on request, the tilting spindle 45° towards the inside of the machine.



A

B

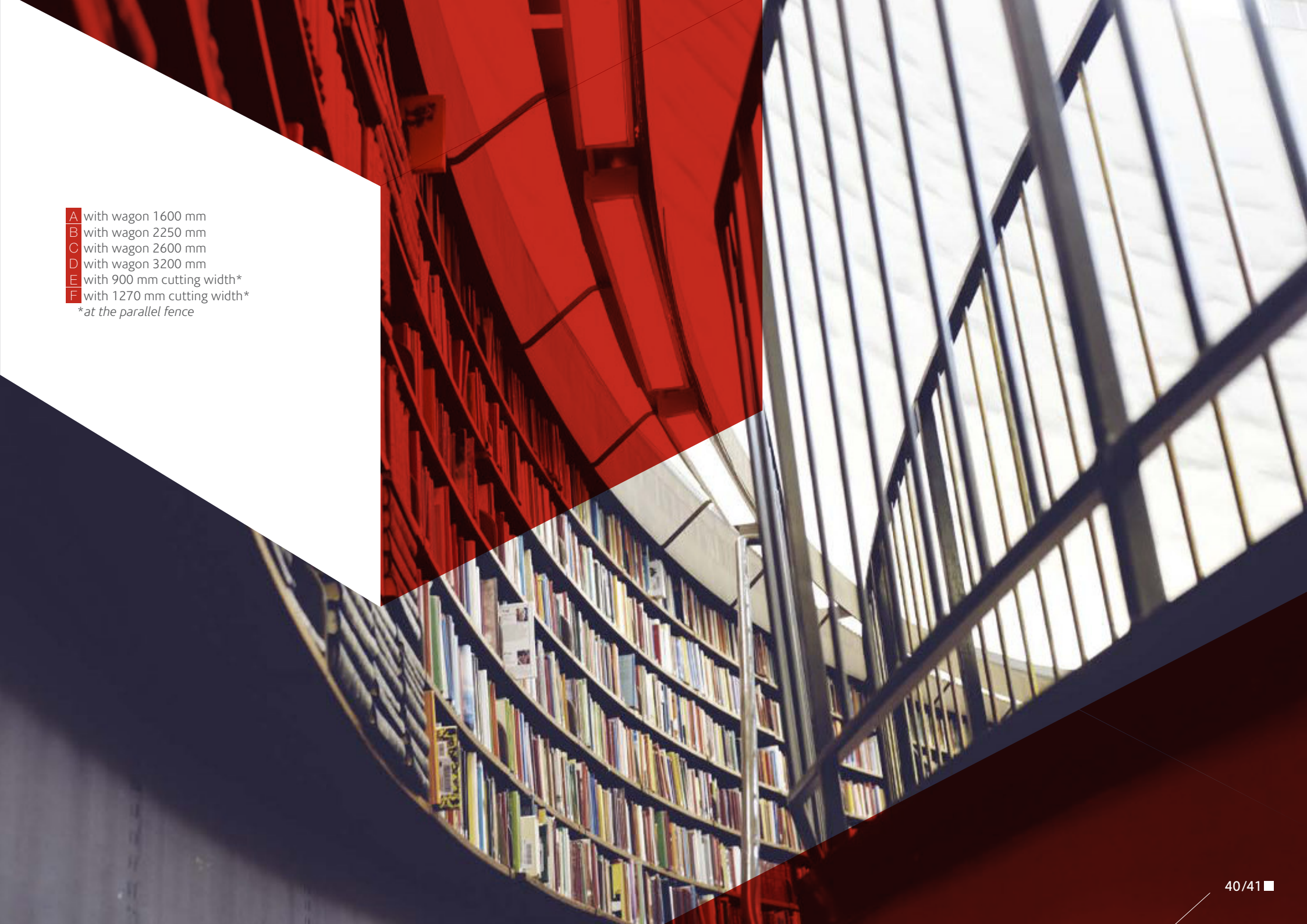
elite dimensions and technical data



S Standard
O Optional

		cu 410 elite	fs 41 elite	st 4 elite	sc 4 elite
Planer					
Working width	mm	410	410	-	-
Cutterblock diameter (mm) / no. of standard knives	mm/n.	87 / 3	87 / 3	-	-
Dimensions of standard knives	mm	410 x 30 x 3	410 x 30 x 3	-	-
Max. stock removal	mm	5	5	-	-
Surfacing tables total length	mm	2000	2000	-	-
Thickening table dimensions	mm	423 x 775	423 x 775	-	-
Feed speed on thickener	m/min	6 / 12	6 / 12	-	-
Min. ÷ max. working height on thickener	mm	3 ÷ 230	3 ÷ 230	-	-
Circular saw					
Cast iron saw-spindle moulder worktable dimensions	mm	1250 x 430	-	1250 x 430	840 x 560
Saw blade tilting		90° ÷ 45°	-	90° ÷ 45°	90° ÷ 45°
Max. saw blade diameter with scoring blade installed	mm	315	-	315	315
Max. saw blade projection from table at 90°/45°	mm	100 / 70	-	100 / 70	100 / 70
Squaring stroke	mm	1600 ÷ 3200	-	1600 ÷ 3200	2250 ÷ 3200
Cutting width on parallel fence	mm	1050	-	900 ÷ 1270	900 ÷ 1270
Spindle moulder					
Max. useful spindle length	mm	125	-	125	-
Spindle moulder speeds (at 50 Hz)	rpm	3500 / 6000 / 8000 / 10.000	-	3500 / 6000 / 8000 / 10.000	-
Max. tool diameter when profiling	mm	210 ÷ 240	-	210 ÷ 240	-
Max. diameter of tool lowered under the table at 90°	mm	240	-	240	-
Max. tool diameter when tenoning	mm	275	-	275	-
Other technical features					
Three-phase motors 4 kW (5,5 hp) 50 Hz - 4,8 kW (6,5 hp) 60 Hz		S	S	S	S
Three-phase motors 5 kW (6,6 hp) 50 Hz - 6 kW (8 hp) 60 Hz		O	O	O	O
Three-phase motors 7 kW (9,5 hp) 50 Hz with direct start		O	O	O	O
Single-phase motors 2,2 kW (3 hp) 50 Hz		O	O	O	O
Single-phase motors S1 3,6 kW (4,8 hp) 60 Hz		O	O	O	O
Exhaust outlets diameter	mm	120	120	120	120

- A with wagon 1600 mm
 - B with wagon 2250 mm
 - C with wagon 2600 mm
 - D with wagon 3200 mm
 - E with 900 mm cutting width*
 - F with 1270 mm cutting width*
- *at the parallel fence*





classic

essentiality and
practicality

BEST VALUE FOR
PRICE/PERFORMANCE RATIO

universal combination machines **44**

VERSATILITY AND
EASE OF USE

spindle moulders **50**

PERFORMANCE
WITHOUT LIMITS

circular saws **48**

THE COMPACT SOLUTIONS WITH
HIGH PRECISION AT
LOWER INVESTMENT

combination machines **46**

classic
universal combination
machines
cu 410
cu 300



	cu 410 classic	cu 300 classic
Planer useful working width	mm 410	300
Total length of surfacing tables	mm 1800	1510
Max. saw blade diameter with scoring blade installed	mm 315	315
Squaring stroke	mm 1660 ÷ 2660	1660 ÷ 2660
Max. spindle length	mm 100	100
Three-phase motors starting from	kW/Hz 5 (6) / 50 (60)	5 (6) / 50 (60)

Find the complete technical specification at page 56



Squaring Frame and Fence
maximum performance



Saw Unit
performance without limit



Surfacing Tables Opening
exceptional accessibility



5 kW Power
provided standard

The best price to performances ratio with the essentiality and practicality required by DIY woodworkers and craftsmen.

classic combination machines

st 3 saw-spindle moulder
 fs 41 surfacing-thicknessing planer
 fs 30



		st 3 classic	fs 41 classic	fs 30 classic
Max. saw blade diameter with scoring blade installed	mm	315	-	-
Squaring stroke	mm	2310 ÷ 2660	-	-
Max. spindle length	mm	100	-	-
Planer useful working width	mm	-	410	300
Cutterblock diameter (mm) / no. of standard knives	mm/n.	-	72 / 3	72 / 3
Total length of surfacing tables	mm	-	1800	1510
Min. ÷ max. working height on thicknesser	mm	-	3 ÷ 230	3 ÷ 230
Three-phase motors starting from	kW/Hz	5 (6) / 50 (60)	4 (4,8) / 50 (60)	4 (4,8) / 50 (60)

Find the complete technical specification at page 56



Squaring Frame and Fence
maximum performance



Saw Unit
performance without limit



5 kW Power
provided standard



Planer Cutterblock
best result



Surfacing Fence
absolute rigidity

Compact and highly precise solutions with a low investment.

classic
circular saws
sc 3
sc 2



	sc 3 classic	sc 2 classic
Max. saw blade diameter with scoring blade installed	mm 315	315
90°/45° max. saw blade projection from table	mm 100 / 79	100 / 79
Cutting width on parallel fence	mm 900 ÷ 1270	900 ÷ 1270
Squaring stroke	mm 2310 ÷ 2660	1660
Three-phase motors starting from	kW/Hz 5 (6) / 50 (60)	4 (4,8) / 50 (60)

Find the complete technical specification at page 56



Saw Unit
performance without limit



Digital Readout
high-tech devices



Sliding Table
exclusive

Compact and highly precise solutions with a low investment for DIY woodworkers and craftsmen.

classic spindle moulders

t 45 w with fixed or tilting spindle
t 45 with fixed spindle



		t 45 w classic	t 45 classic
Max. useful spindle length	mm	100	100
Max. tool diameter when profiling	mm	210	210
Max. tool diameter lowered under the table at 90°	mm	180	180
Max. tool diameter when tenoning	mm	275	-
Three-phase motors starting from	kW/Hz	5 (6) / 50 (60)	5 (6) / 50 (60)

Find the complete technical specification at page 56



Spindle Moulder
any type of machining



Frame Support
optimal support



Table Extensions
optimal support

Versatility and ease of use of the spindle moulder, ideal for DIY woodworkers and craftsmen.

classic operating groups



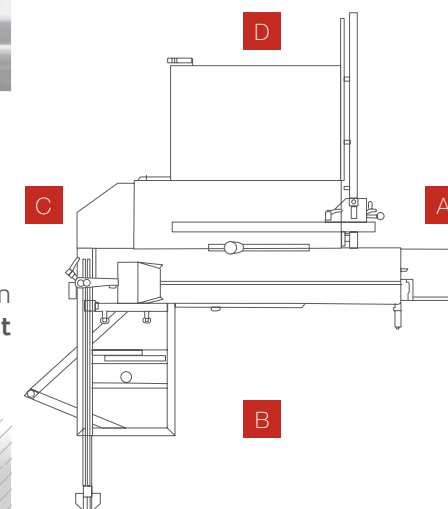
performance without limit

Saw Unit.

Incredible cutting of both very thick solid wood and panels, even those veneered, thanks to the new saw unit with a blade that has a maximum diameter of 315 mm with the scoring blade installed.

The new scoring unit can be supplied on request and **can easily be adjusted from outside the machine.**

A clean machine environment facilitates maintenance avoiding mechanical breakdowns of the units and improving the machine's precision and reliability overtime. Very high effective saw unit exhaust hood: the tests carried out by Scm's studies highlighted a **maximum dust emission level 90% lower with respect to the maximum level allowed by the European safety regulations.**



Machining	Maximum value according CE norms	Position A	Position B	Position C	Position D
Strips cutting	2 mg/m ³	0.08 mg/m ³	0.10 mg/m ³	0.04 mg/m ³	0.16 mg/m ³



exclusive

Sliding Table.

Easier and more precise cutting is possible due to a perfectly stable support that is guaranteed, even for large workpieces, by the **wide sliding table** and the **large squaring frame with telescopic rule provided as standard**. **Top quality precision, smooth and silent action, self-cleaning dustproof system, long lasting accuracy, no adjustments required.** The sliding table is made of extruded anodize aluminum with a closed honeycomb structure. The sliding table runs on an exclusive slide way system consisting of calibrated and hardened F550 SX steel guideways.

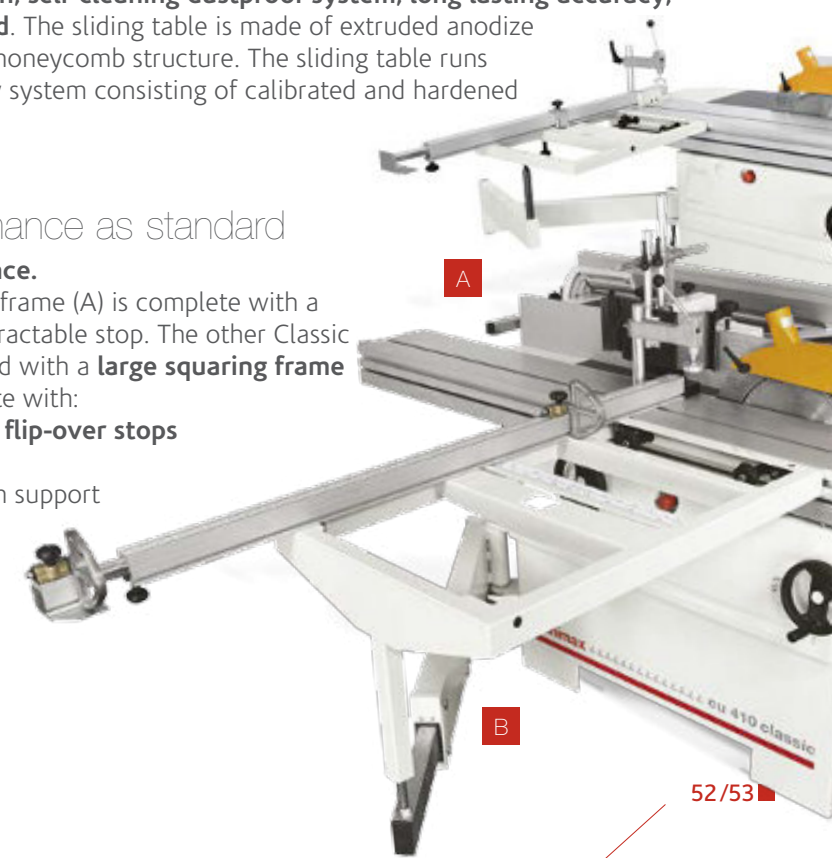
maximum performance as standard

Squaring Frame and Fence.

The sc 2 classic squaring frame (A) is complete with a telescopic rule with a retractable stop. The other Classic machines (B) are equipped with a **large squaring frame (960 x 600 mm)** complete with:

- telescopic rule with 2 flip-over stops
- eccentric clamp
- telescopic swinging arm support

Cu 300 and 410 classic are equipped with a saw-planer multifunction fence, designed to be easily positioned and removed to allow **rapid work changeover**. Precise and rapid positioning with the parallel fence with a **round sliding bar**, in rectified steel and complete with "high rigidity" cast iron support standard for all the other Classic machines. (see picture)



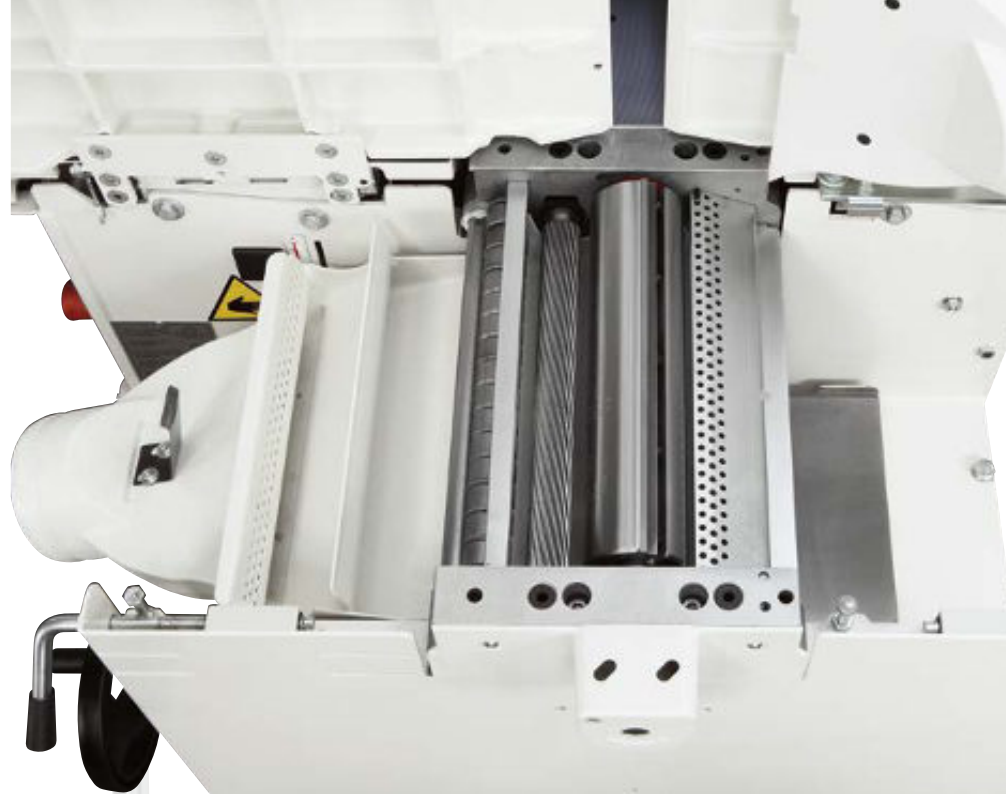
classic operating groups



optimal planing

Planer Cutterblock.

The planer unit in the standard version has a 72 mm diameter cutterblock with 3 HSS knives (the optional "Tersa" cutter block is available with quick tightening knives and automatic adjustment). For an impeccable result, the pressure of the thickener feed rollers can be adjusted according to the type of wood machined. The thickener infeed roller (A) **has helical tothing** to guarantee strong, constant workpiece feed. In contrast, the sandblasted steel outfeed roller (B) maintains the perfect post-machining finish.



absolute rigidity

Surfacing fence.

Very high rigidity of the fs 30 and fs 41 classic surfacing fences made of extruded aluminum with respectively 1300 and 1670 mm length.



exceptional accessibility

Surfacing Tables Opening.

Thickening is more comfortable: during the changeover from surfacing to thickening **the surfacing tables open towards the inside of the machine, with a 90° angle, and simultaneously.** Workpieces with a maximum height of 230 mm can be machined to the thickener. **The new design of the dust conveyor, protecting the cutter block, is specifically intended to further increase system safety and efficiency.**





On request, it is available the 45° tilting spindle towards the inside of the machine (for st 3 and t 45 w classic only).

professional and very sturdy

Spindle Moulder Unit.

The unit has a cast iron structure. It is closed off by a cast iron “cup” to **protect mechanical components inside the machine** from sawdust, shavings and dirt. **Precise and safe machining** with the spindle moulder fence with micrometric adjustment complete with vertical and horizontal pressers.

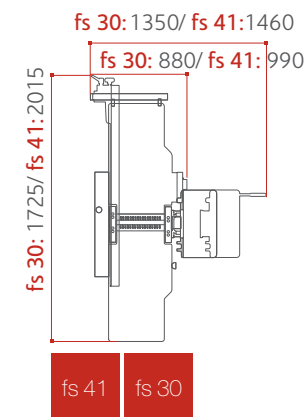
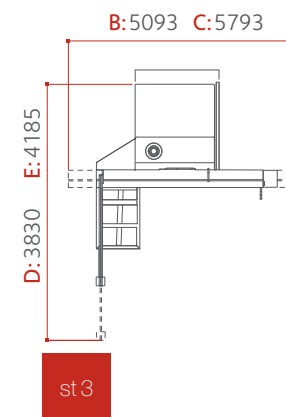
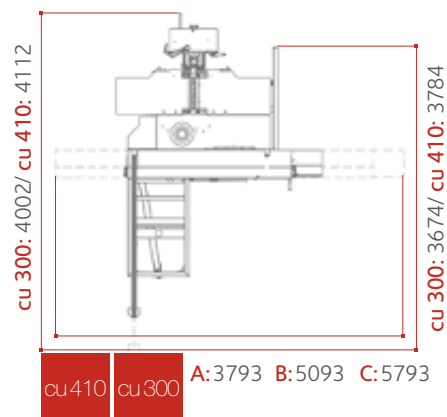
customizable for any requirement

Table Extensions and Frame Support.

On t 45 classic, the table extensions at outfeed and infeed and the telescopic front support with support rollers (options) make easier the machining of large dimensions workpieces. The 270 mm sliding table on t 45 w classic, provides a greater support very useful also for tenoning; precise cuttings, even for large workpieces, with the squaring frame (optional) with telescopic rule.



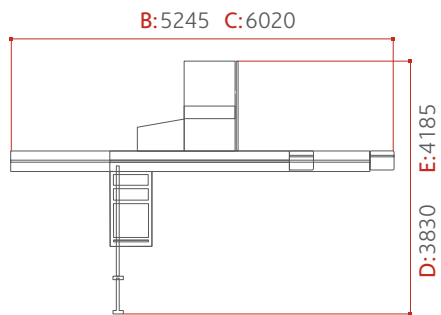
classic dimensions and technical data



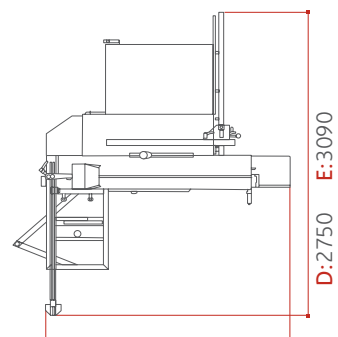
- A with wagon 1600 mm
 - B with wagon 2250 mm
 - C with wagon 2600 mm
 - D with 900 mm cutting width*
 - E with 1270 mm cutting width*
- *at the parallel fence

		cu 410 classic	cu 300 classic
Planer			
Working width	mm	410	300
Cutterblock diameter (mm) / no. of standard knives	mm/n.	72 / 3	72 / 3
Dimensions of standard knives	mm	410 x 30 x 3	300 x 30 x 3
Max. stock removal	mm	4	4
Surfacing tables total length	mm	1800	1510
Thicknessing table dimensions	mm	410 x 605	300 x 585
Feed speed on thicknesser	m/min	7	7
Min. ÷ max. working height on thicknesser	mm	3 ÷ 230	3 ÷ 230
Circular saw			
Cast iron saw-spindle moulder worktable dimensions	mm	1115 x 335	1115 x 335
Saw blade tilting		90° ÷ 45°	90° ÷ 45°
Max. saw blade diameter with scoring blade installed	mm	315	315
Max. saw blade projection from table at 90°/45°	mm	100 / 79	100 / 79
Squaring stroke	mm	1660 ÷ 2660	1660 ÷ 2660
Cutting width on parallel fence	mm	900	820
Spindle moulder			
Max. useful spindle length	mm	100	100
Spindle moulder speeds (at 50 Hz)	rpm	3500 / 7000 / 10.000	3500 / 7000 / 10.000
Max. tool diameter when profiling	mm	210	210
Max. diameter of tool lowered under the table at 90°	mm	180	180
Max. tool diameter when tenoning	mm	275	275
Other technical features			
Three-phase motors 4 kW (5,5 hp) 50 Hz - 4,8 kW (6,5 hp) 60 Hz		-	-
Three-phase motors 5 kW (6,6 hp) 50 Hz - 6 kW (8 hp) 60 Hz		S	S
Single-phase motors 2,2 kW (3 hp) 50 Hz		O	O
Single-phase motors S1 3,6 kW (4,8 hp) 60 Hz		O	O
Exhaust outlets diameter	mm	120	120

S Standard
O Option

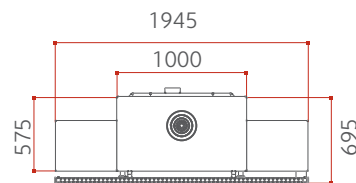


sc 3

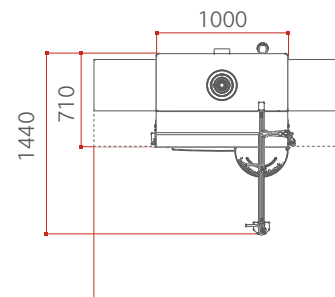


sc 2

3860

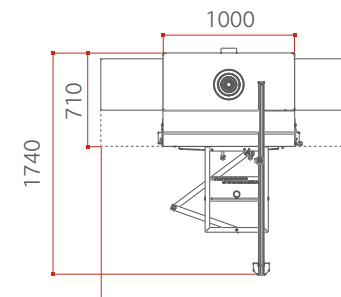


t 45



t 45 w

2200



t 45 w

2200 with frame support

st 3 classic	fs 41 classic	fs 30 classic	sc 3 classic	sc 2 classic	t 45 w classic	t 45 classic
-	410	300	-	-	-	-
-	72 / 3	72 / 3	-	-	-	-
-	410 x 30 x 3	300 x 30 x 3	-	-	-	-
-	4	4	-	-	-	-
-	1800	1510	-	-	-	-
-	410 x 605	300 x 585	-	-	-	-
-	7	7	-	-	-	-
-	3 ÷ 230	3 ÷ 230	-	-	-	-
1115 x 430	-	-	840 x 560	1020 x 325	-	-
90° ÷ 45°	-	-	90° ÷ 45°	90° ÷ 45°	-	-
315	-	-	315	315	-	-
100 / 79	-	-	100 / 79	100 / 79	-	-
2310 ÷ 2660	-	-	2310 ÷ 2660	1660	-	-
900 ÷ 1270	-	-	900 ÷ 1270	900 ÷ 1270	-	-
100	-	-	-	-	100	100
3500 / 7000 / 10.000	-	-	-	-	3500 / 7000 / 10.000	3500 / 7000 / 10.000
210	-	-	-	-	210	210
180	-	-	-	-	180	180
275	-	-	-	-	275	-
-	S	S	-	S	-	-
S	O	O	S	O	S	S
O	O	O	O	O	O	O
O	O	O	O	O	O	O
120	120	120	120	120	120	120



lab 300 plus

Once upon a time there was the combination machine
now there is the lab 300 plus!

PRECISION, RELIABILITY
AND SAFETY

Universal combination machines **60**

lab 300 plus universal combination machine

		lab 300 plus
Planer useful working width	mm	300
Total length of surfacing tables	mm	1300
Max. saw blade diameter with scoring blade installed	mm	315
Squaring stroke	mm	1660
Max. spindle length	mm	100
Three-phase motors starting from	kW/Hz	4 (4,8) / 50 (60)

Find the complete technical specification at page 63



Saw Unit
best cutting



Spindle Moulder
superior performances



Surfacing Tables Lifting
higher efficiency

Once there was the combination machine, now Minimax has defined the most advanced technological standards in terms of precision, reliability and safety.

lab 300 plus operating groups

higher efficiency

Surfacing Tables Lifting.

During the changeover from surfacing to thickening **the surfacing tables open towards the inside of the machine with a 90° angle**, facilitating thickening. Workpieces with a maximum height of 220 mm can be machined to the thickener. The **new design of the dust-conveyor**, protecting the cutterblock, is specifically intended **to further increase system safety and efficiency.**



best cutting
Saw Unit.

Incredible cutting of both very thick solid wood and panels, even those veneered, thanks to the **new saw unit (B)** with a blade that has a **maximum diameter of 315 mm** with the scoring blade installed. The **new scoring unit can be supplied on request and can easily be adjusted from outside the machine.**

Easier, more precise cutting is possible thanks to perfectly stable support guaranteed, even for large workpieces, by the **270 mm wide sliding table.** (A)



superior performances

Spindle Moulder.

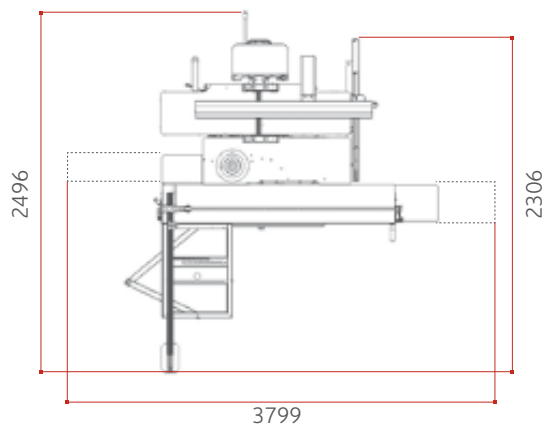
Spindle moulder with superior performances! The unit has a spindle with a useful working length of 100 mm. A tool with a maximum diameter of 180 mm can be retracted under the worktable. For machine maximum safety and increased flexibility, a **spindle moulder protective hood for shaping is supplied standard.** (C)

functional and customizable

A machine even more versatile: with the practical **mortiser** (optional) drilling holes or mortises are easily done.



lab 300 plus dimensions and technical data



S Standard
O Optional

	lab 300 plus	
Planer		
Working width	mm	300
Cutterblock diameter (mm) / no. of standard knives	mm/n.	72 / 3
Dimensions of standard knives	mm	300 x 30 x 3
Max. stock removal	mm	3
Surfacing tables total length	mm	1300
Thickening table dimensions	mm	300 x 450
Feed speed on thickener	m/min	7
Min. ÷ max. working height on thickener	mm	3 ÷ 220
Circular saw		
Cast iron saw-spindle moulder worktable dimensions	mm	1020 x 325
Saw blade tilting		90° ÷ 45°
Max. saw blade diameter with scoring blade installed	mm	315
Max. saw blade projection from table at 90°/45°	mm	100 / 79
Squaring stroke	mm	1660
Cutting width on parallel fence	mm	800
Spindle moulder		
Max. useful spindle length	mm	100
Spindle moulder speeds (at 50 Hz)	rpm	3500 / 7000 / 10.000
Max. tool diameter when profiling	mm	210
Max. diameter of tool lowered under the table at 90°	mm	180
Max. tool diameter when tenoning	mm	275
Other technical features		
Three-phase motors 4 kW (5,5 hp) 50 Hz - 4,8 kW (6,5 hp) 60 Hz		S
Single-phase motors 2,2 kW (3 hp) 50 Hz		O
Single-phase motors S1 3,6 kW (4,8 hp) 60 Hz		O
Exhaust outlets diameter	mm	120





genius

all the minimax quality
at the more accessible price

IDEAL FOR HOBBYIST
DEMANDING AND CRAFTSMEN

combination machines and circular saws **68**

PRACTICAL AND COMPACT

universal combination machine **66**

genius
universal
combination machines
c 30
c 26



		c 30 genius	c 26 genius
Planer useful working width	mm	300	260
Total length of surfacing tables	mm	1200	1040
Max. saw blade diameter	mm	250	250
Squaring stroke	mm	1200	1200
Max. spindle length	mm	75	75
Three-phase motors starting from	kW/Hz	1,8 (2,2) / 50 (60)	1,8 (2,2) / 50 (60)

Find the complete technical specification at page 72



Saw Unit
cutting precision



Surfacing Planer
fully equipped



Thickening Planer
practical and ergonomic



Spindle Moulder
flexibility



Shaping Fence
safety first



Mortiser
functional

The practical and compact woodworking machines with all the Minimax quality at the more accessible price, ideal for demanding DIY woodworkers and craftsmen.

genius
 combination machines
 circular saws

fs 30
 st 1
 sc 1

surfacing-thicknessing planer
 saw-spindle moulder
 circular saw



		fs 30 genius	st 1 genius	sc 1 genius
Planer useful working width	mm	300	-	-
Total length of surfacing tables	mm	1200	-	-
Max. saw blade diameter	mm	-	250	250
Squaring stroke	mm	-	1200	1200
Max. spindle length	mm	-	75	-
Three-phase motors starting from	kW/Hz	1,8 (2,2) / 50 (60)	1,8 (2,2) / 50 (60)	1,8 (2,2) / 50 (60)

Find the complete technical specification at page 72



Saw Unit
cutting precision



Surfacing Planer
fully equipped



Thickening Planer
practical and ergonomic



Spindle Moulder
flexibility



Shaping Fence
safety first



Mortiser
functional

genius
operating
groups



cutting precision

Saw Unit.

Tilting saw unit with a 250 mm blade and a maximum blade projection from table at 90° of 80 mm. The saw unit can be raised and tilted using convenient hand-wheels. The anodized aluminum sliding table, with a 1200 mm stroke, slides **next to the blade**, thus ensuring better cutting precision.

practical and ergonomic

Thickening planing.

To keep the machine compact and make machining easier, the surfacing table opens towards the inside of the machine. Thanks to an efficient feed system, the thickening unit can process wood up to 200 mm thick.



functional and customizable

A machine even more versatile: with the practical **mortiser** (option) drilling holes or mortises are easily done.



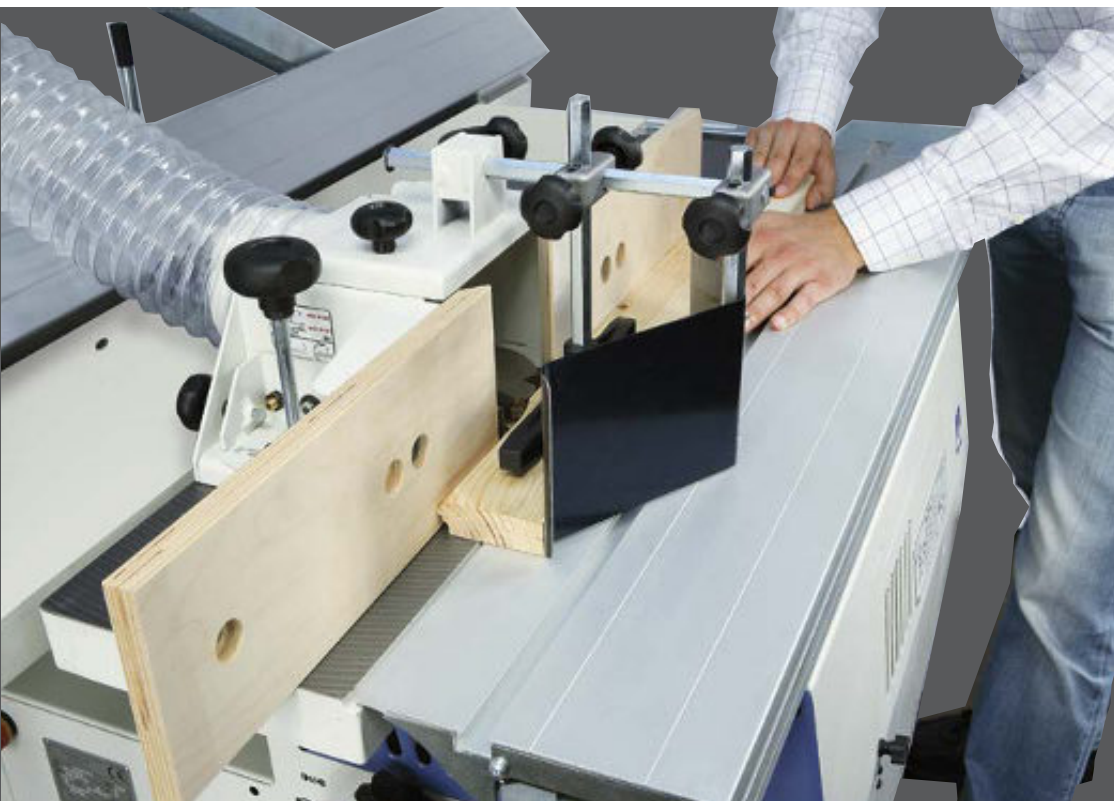


safety first
Genius machines have many **safety devices according to CE norms**, as like as the spindle moulder guard for curved profiles and moulding shapes.



fully equipped
Surfacing Planer.

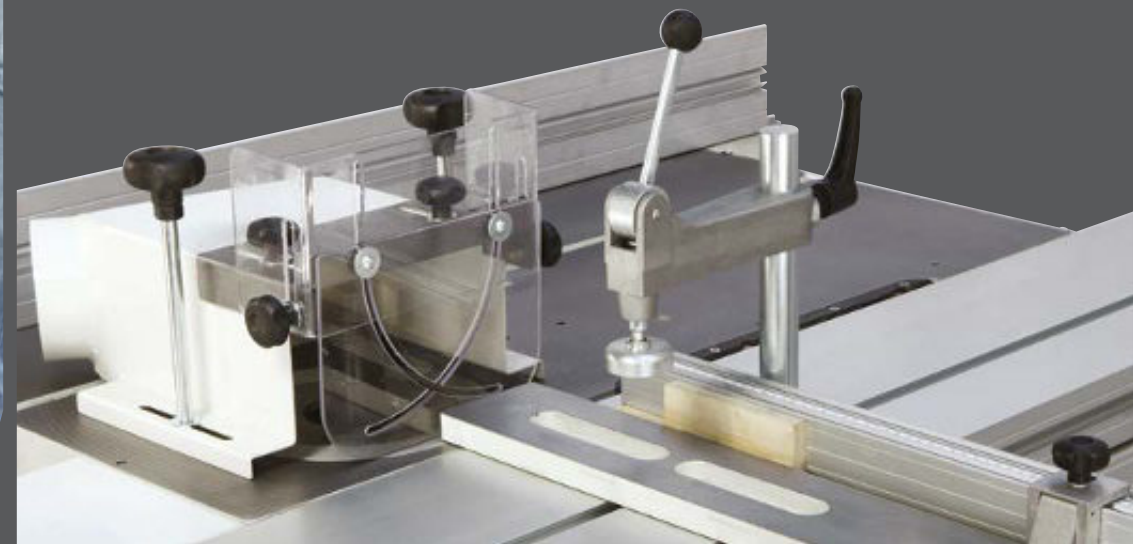
The planer unit has a cutterblock with 2 re-usable knives (the "Tersa" disposable knives system with three knives and rapid clamping is available as an option). Genius machines also have saw-planer fences with an anodized aluminum extrusion and a support with clamp for fast positioning.



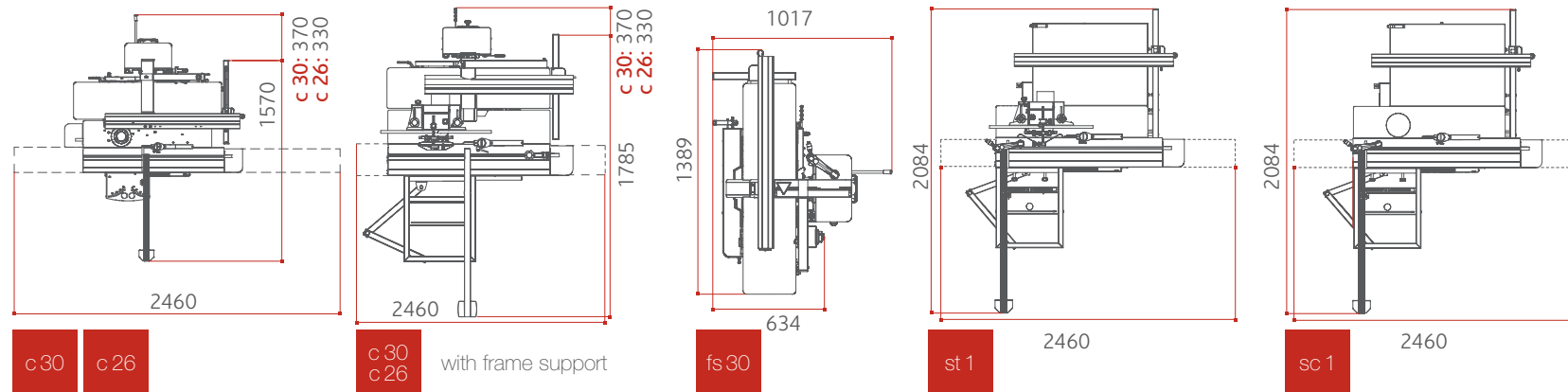
flexibility

Spindle Moulder.

Maximum flexibility in spindle moulder tool use, with the unit with 2 speeds (5000/7500 rpm). The machines have a spindle moulder fence with micrometric adjustment, a feature which is particularly useful on profiling jobs. Tenoning is easy too, thanks to the aluminum sliding table and the right speed setting.



genius dimensions and technical data



S Standard
O Optional

		c 30 genius	c 26 genius	fs 30 genius	st 1 genius	sc 1 genius
Planer						
Working width	mm	300	260	300	-	-
Cutterblock diameter (mm) / no. of standard knives	mm/n.	62 / 2	62 / 2	62 / 2	-	-
Dimensions of standard knives	mm	300 x 25 x 3	260 x 25 x 3	300 x 25 x 3	-	-
Max. stock removal	mm	3	3	3	-	-
Surfacing tables total length	mm	1200	1040	1200	-	-
Thickening table dimensions	mm	300 x 450	260 x 450	300 x 450	-	-
Feed speed on thickener	m/min	6	6	6	-	-
Min. ÷ max. working height on thickener	mm	3 ÷ 200	3 ÷ 200	3 ÷ 200	-	-
Circular saw						
Cast iron saw-spindle moulder worktable dimensions	mm	1024 x 224	1024 x 224	-	1024 x 224	1024 x 224
Saw blade tilting		90° ÷ 45°	90° ÷ 45°	-	90° ÷ 45°	90° ÷ 45°
Max. saw blade diameter	mm	250	250	-	250	250
Max. saw blade projection from table at 90°/45°	mm	80 / 64	80 / 64	-	80 / 64	80 / 64
Squaring stroke	mm	1200	1200	-	1200	1200
Cutting width on parallel fence	mm	540	500	-	700	700
Spindle moulder						
Max. useful spindle length	mm	75	75	-	75	-
Spindle moulder speeds (at 50 Hz)	rpm	5000 / 7500	5000 / 7500	-	5000 / 7500	-
Max. tool diameter when profiling	mm	160	160	-	160	-
Max. diameter of tool lowered under the table at 90°	mm	145	145	-	145	-
Max. tool diameter when tenoning	mm	200	200	-	200	-
Other technical features						
Three-phase motors 1,8 kW (2,5 hp) 50 Hz – 2,2 kW (3 hp) 60 Hz		S	S	S	S	S
Three-phase motors 2,2 kW (3 hp) 50 Hz – 2,6 kW (3,6 hp) 60 Hz		O	O	O	O	O
Single-phase motors 1,8 kW (2,5 hp) 50 Hz		O	O	O	O	O
Single-phase motors S1 1,8 kW (2,5 hp) 60 Hz		O	O	O	O	O
Exhaust outlets diameter	mm	120	120	120	120	120



lathes **90**
sanders **94**

routers **86**

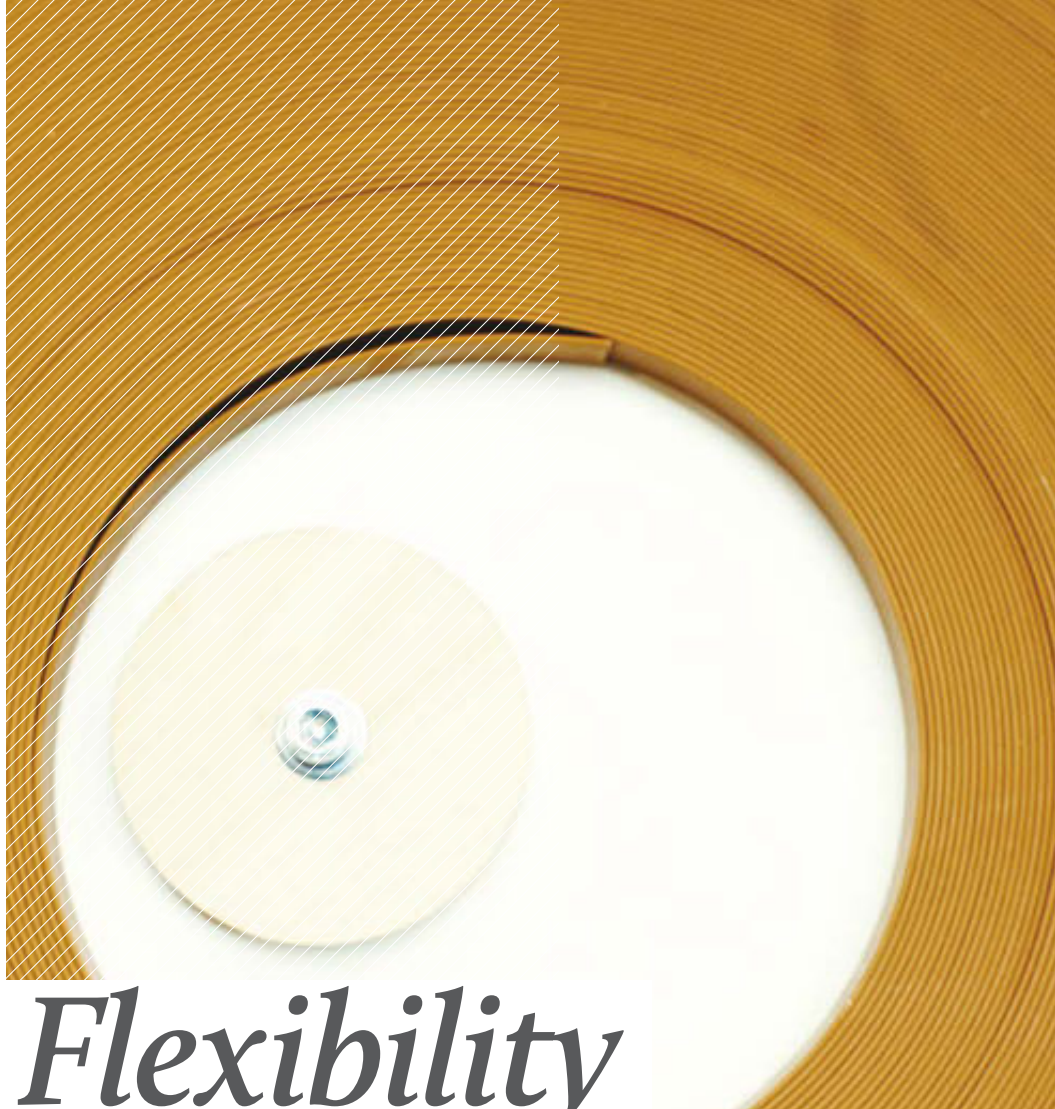
edge banders **76**
band saws **100**





special machines

edge banders
me 35



Flexibility in Edge Banding.

		me 35
Thickness of rolled edges	mm	0,4 ÷ 3
Max. thickness of edges in strips	mm	5
Min. ÷ max. panel height	mm	8 ÷ 50
Min. panels length / width with rolled edges	mm	190 / 110
Feed speed	m/min	7

Find the complete technical specification at page 85



Conveying Track
perfect finish



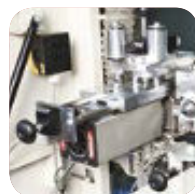
Gluing Unit
superior performance



High Frequency
reliability and precision



"Radius" End-Cutter
brilliant idea



Grooving Unit
Innovative

Ease-of-use automatic edge bander also with edging solid wood strips up to 5 mm thickness, offers the "very best" performance in edge banders at this level. The features, makes it the perfect edge bander for small woodworking, furniture and panel processing companies.

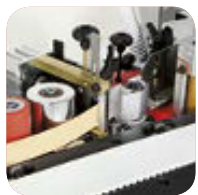
edge banders

me 25
me 20

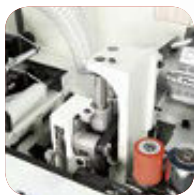


	me 25	me 20
Thickness of rolled edges	mm 0,4 ÷ 3	0,4 ÷ 2
Max. thickness of edges in strips	mm 5	5
Min. ÷ max. panel height	mm 12 ÷ 50	12 ÷ 50
Min. panels length / width with rolled edges	mm 190 / 65	180 / 65
Feed speed	m/min 7	6

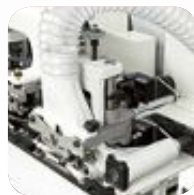
Find the complete technical specification at page 85



Gluing Unit
efficient



End Cutting Unit
practical and precise



Trimming Unit
excellent finishing



Finishing Units
superior quality



Control Panel
Ease-of-use

Automatic edge bander with glue pot to edge band, with great flexibility, with melamine edges, PVC and ABS up to 3 mm and wooden strips up to 5 mm.

edge banders operating groups



perfect edge joint line

Panel Edge Pre-Milling Unit me 35 T

Panel edge surface without any imperfections before the gluing operation.

Utilizes 2 tools with opposing rotation and timed intervention that, through the removal operation, corrects any panel imperfections caused by the saw cutting process and panel storage. The independent exhaust system and the air blowing device remove dust and chips from the panel.

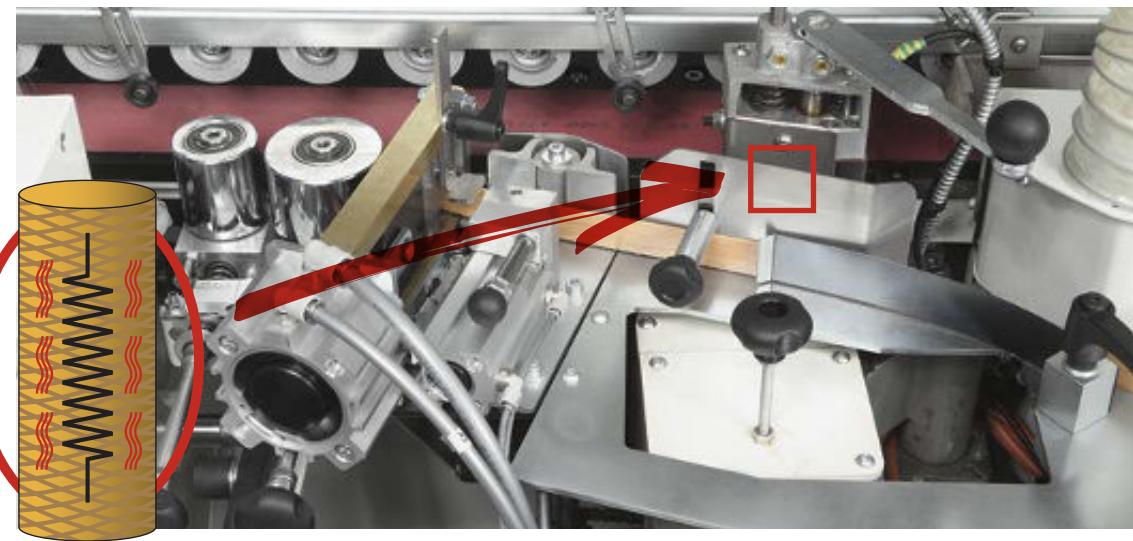
- Widia cutters available as standard feature; diamond cutters available as optional device.
- N. 4 different thickness removals: 0,5 / 1 / 1,5 / 2 mm.



designed for a perfect finish

Panel Conveying Track. me25/me35

The very best finishing of the panel edge is also guaranteed by the panel conveying track (exclusive solution), which prevents the panel having the feed affected by the typical pulses generated by the pinion of a traditional feed track and ensures a smooth and linear panel movement.



ideal edge application

Gluing Unit.

The glue is heated rapidly and evenly by the resistances. The **automatic lowering of the glue temperature** after a temporary halt in production when using the machine avoids burning of the glue. A **new innovative system of self-lubrication of the glue pot**, allows a more extensive use of the edge banding machine without the necessity of lubrication. Two rollers press the edge evenly and efficiently on to the panel edge. The glue spreading roller with electrical resistance inside provides a uniform glue spread and always at the maximum working temperature even on panels at the maximum working height.



simple and intuitive

Control Panel.

Error-free machining is ensured by the control panel positioned on the front of the machine, that allows an easy selection of all the main functions, among them, the operating units switching on and off. The PLC guides the operator during maintenance, cleaning, diagnostic operations, etc.

always precise when cutting

End Cutting Unit.

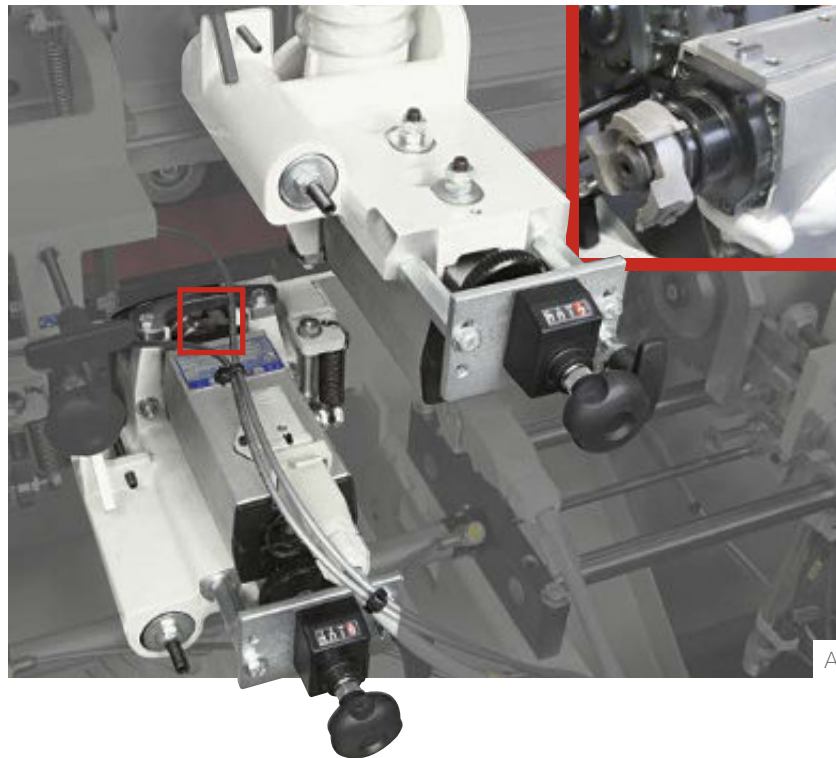
Me 35: The unit is equipped with a blade and a high frequency motor to provide the **best finishing quality** of the machined edge. Furthermore, the absence of belts or other driving systems prevents any vibration **assuring the best results at all times.** (A)
Me 25: Absolute precision offered by the unit, with a cutter and an independent asynchronous motor. (B)
Me 20: The efficient cutter ensures cutting always accurate. The reference is taken directly on the panel itself; consequently you do not require any adjustment. (C)



quality finish and versatility

Trimming Unit.

Me 35: Very high edge quality finish with the **vertical disc copiers.** **The high frequency motors** generate high cutter rotating speeds reducing to a minimum any marks left from trimming and guarantees the absence of vibration. (A)
Me 25 and me 20: the unit functions with pad copiers to align perfectly to the workpiece. (B)
The cutters are designed for straight or radius trimming of any type of edge, whether it is thick or thin, made of PVC, ABS, melamine, laminate or wood. The edge thickness is easily set by means of two numerical readouts.



edge banders operating groups

ease of use

Automatic Loading for Edges Strips.

me 35/me 25

The solid wood strips are automatically loaded and synchronized with the introduction of the panels into the machine.



optimal finishing

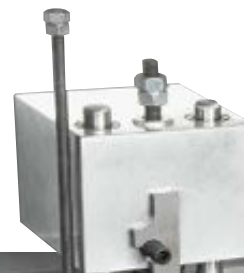
Brushing Unit. me 35/me 25

With tilted, vertically adjustable motors to optimise the cleaning/polishing action on the panel edge.

perfect edge cleaning

Glue Scraping Unit. me 35

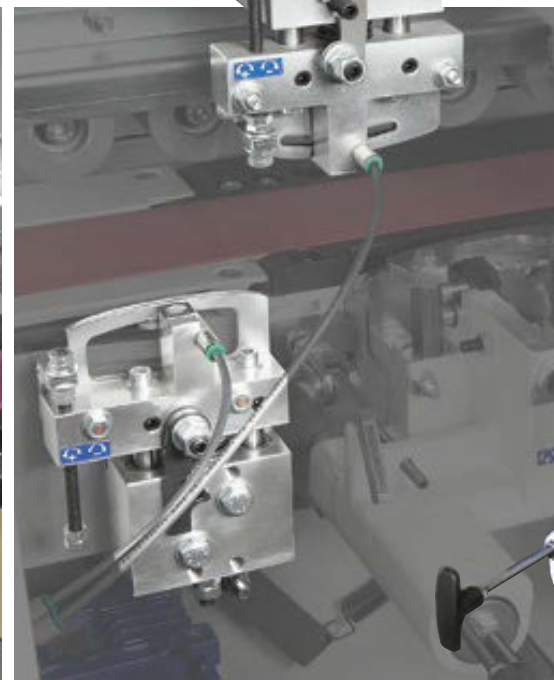
It eliminates any excess glue on the panel/edge joint.



perfect radius on pvc/abs edges

Edge Scraping Unit. me 35/me 25

High finishing quality of plastic material edges thanks to the radius knives that ensure the complete elimination of any marks left from the trimming unit tools, all equipped with a **front and vertical disc copiers**, and a user-friendly device for exclusion of the unit when it is not in use.





brilliant idea

End-Cutting Unit with "Radius". me 35

The optional **unit** allows you to make a radius on the corners of the panel edged without the need for the operator to have to finish by hand at a later stage: brilliant idea to a finished product of high quality.



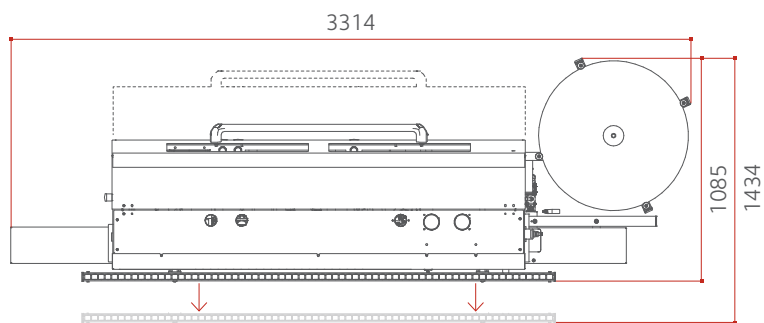
innovation at everybody's reach

Grooving Unit. me 35

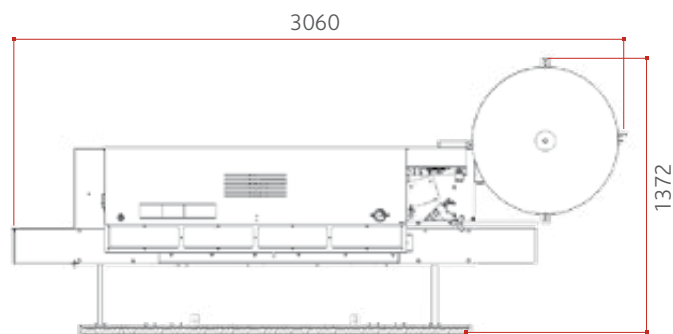
The optional unit is able to perform a slot on the panel directly on the edging process, **without having to sacrificing the finishing and cleaning units.**

edge banders
dimensions
and
technical
data

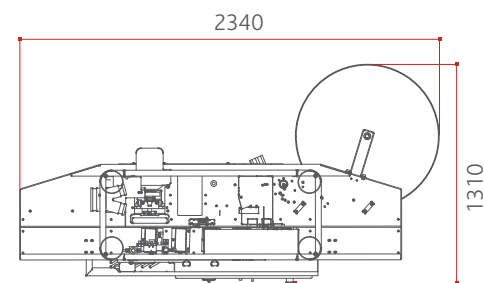




me 35



me 25



me 20

		me 35	me 25	me 20
Work table dimensions	mm	3000 x 525	2600 x 530	1950 x 180
Work table height	mm	904	904	904
Roll-feed edge thickness	mm	0,4 ÷ 3	0,4 ÷ 3	0,4 ÷ 2
Max. thickness of edges in strips	mm	5	5	5
Min. ÷ max. panel height	mm	8 ÷ 50	12 ÷ 50	12 ÷ 50
Min. panels length / width with roll-feed edge	mm	190 / 110	190 / 65	180 / 65
Min. panel length cut only on the front	mm	120	120	120
Feed speed	m/min	7	7	6
Feeder motor power (S1)	kW	0,55	0,55	0,25
Pneumatic operating pressure	bar	6,5	6,5	6,5
Working temperature	°C	20 ÷ 190	20 ÷ 190	20 ÷ 190
Premilling unit (me 35 T)				
Motor power (S1)	kW	2,2	-	-
Cutters rotating speed	rpm	9.000	-	-
No. 2 widia cutters (std)		Ø 80 mm H=56 Z2	-	-
No. 2 diamond cutters (opt)		Ø 80 mm H=56 Z2	-	-
Stock removals	mm	0,5 / 1 / 1,5 / 2	-	-
Glue pot unit				
Motor power (S1)	kW	0,18	0,18	0,18
Glue capacity	kg	~ 0,8	~ 0,8	~ 0,8
End cutting unit				
Motor power (*high frequency motors)	kW	0,19*	0,37	-
End cutting blade		Ø 125 mm Z20	Ø 90 mm Z20	-
Blade rotating speed	rpm	12.000	12.000	-
Trimming unit				
Upper/lower motor power (*high frequency motors)	kW	2 x 0,35*	2 x 0,75	2 x 0,55
Widia cutters		Ø 55,3 mm Z3	Ø 75 mm Z4	Ø 75 mm Z4
Cutters rotating speed	rpm	12.000	12.000	12.000
Additional technical features				
Exhaust outlet premilling unit (me 35 T), number/diameter	n./mm	2 / 80	-	-
Exhaust outlet glue pot unit diameter	mm	60	60	60
Exhaust outlet trimming unit number/diameter	n./mm	2 / 60	-	-
Exhaust outlet on base structure diameter	mm	-	120	120

vertical routers
router



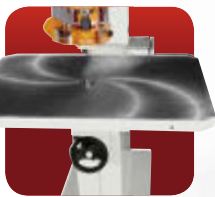
*The tradition
in routing.*

	router
Spindle head-frame distance	mm 600 / 800 / 900
2 spindle speeds	rpm 9000 / 18.000
Vertical spindle stroke	mm 80
Vertical stroke of work table	mm 150
Max. table-spindle distance	mm 180

Find the complete technical specification at page 89



Routing Head
Effortless and dynamic



Work Table
Stability and comfort

Vertical router, for demanding DIY woodworkers and craftsmen, with pneumatic head lifting.

router operating groups

effortless and dynamic

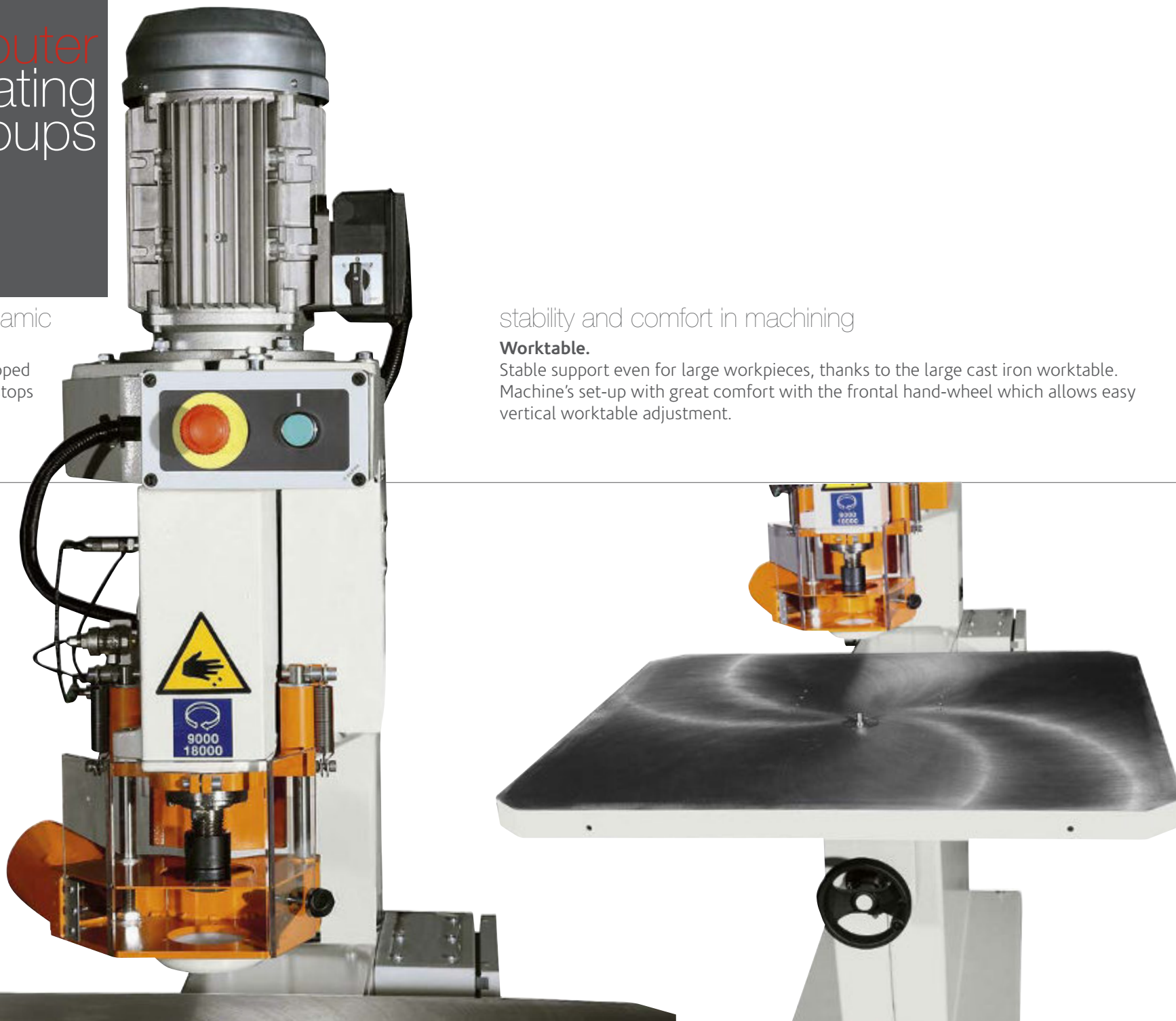
Routing Head.

The routing head is equipped with 6 adjustable turret stops to facilitate the return to machining positions.

stability and comfort in machining

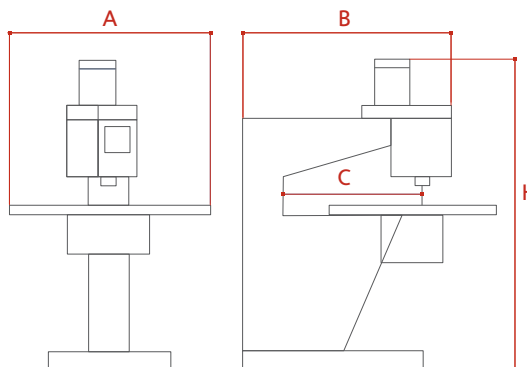
Worktable.

Stable support even for large workpieces, thanks to the large cast iron worktable. Machine's set-up with great comfort with the frontal hand-wheel which allows easy vertical worktable adjustment.



router dimensions and technical data

	router 600	router 800	router 900
A mm	960	960	960
B mm	1150	1350	1450
C mm	600	800	900
H mm	1820	1820	1820



S Standard
O Optional

		router 600	router 800	router 900
Spindle head and frame distance	mm	600	800	900
Spindle speed	rpm	9000 / 18.000	9000 / 18.000	9000 / 18.000
Vertical spindle stroke	mm	80	80	80
Adjustable stops	n.	6	6	6
Vertical stroke of work table	mm	150	150	150
Max. table-spindle distance	mm	180	180	180
Table dimensions (non CE)	mm	800 x 600	800 x 600	960 x 880
Table dimensions (CE)	mm	960 x 880	960 x 880	960 x 880
Max. height of table from floor	mm	1050	1050	1050
Copying pin diameter	mm	8 - 10	8 - 10	8 - 10
Spindle morse taper	n.	2	2	2
Cutter-bit diameter	mm	10	10	10
Collets diameter	mm	6 ÷ 12	6 ÷ 12	6 ÷ 12
Exhaust outlets diameter	mm	80	80	80
Air consumption	m ³ /h	362	362	362
Three-phase motors (S1) (double power) 1,5/2,2 kW (2/3 hp) 50 Hz - 1,8/2,7 kW (2,4/3,6 hp) 60 Hz		S	-	-
Three-phase motors (S1) (double power) 2,2/3 kW (3/4 hp) 50 Hz - 2,7/3,6 kW (3,6/4,8 hp) 60 Hz		O	S	S
Single-phase motors (S1) (one speed) 2,5 hp (18.000 rpm)		O	O	O

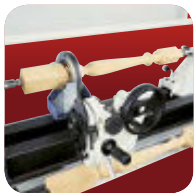
woodturning lathes
t 124



Total Safety Machining.

Distance between centers	t 124
Centers height	mm 1150
4 spindle speeds	mm 200
Three-phase motor	rpm 570 / 1000 / 1850 / 2500
	kW/Hz 1,5 (1,8) / 50 (60)

Find the complete technical specification at page 93



Structure
Precision and safety



Optional Devices
Versatile and complete

Woodturning lathe, for demanding DIY woodworkers and craftsmen, fast, cost-effective, easy-to-use and reliable.

operating groups and optional devices

versatile and complete

Optional Devices.

A complete range of accessories available to make your creativity to become a beautiful workpiece.

precision and safety

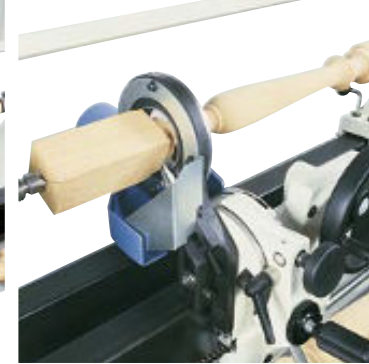
Structure.

Maximum reliability and precision, with its solid structure, and total safety for the operator thanks to the transparent guard protection.



Copier.

Enables copying work at diameters greater or smaller than the template or pattern, feed by handwheel.



Mobile Steady Rest, with pre-cutting tool to guarantee a perfect finish.



Fixed Steady Rest. Reduces vibrations when turning long, thin components. The 'C' shape enables turning with hand tools.



Face Plate 300 mm diameter, ideal for large bowls.



Cup or Screw Type Drive Benders 40 mm diameter cup centre and 70 mm screw centre made from a single-piece of stainless steel. Necessary for turning small cups and bowls.

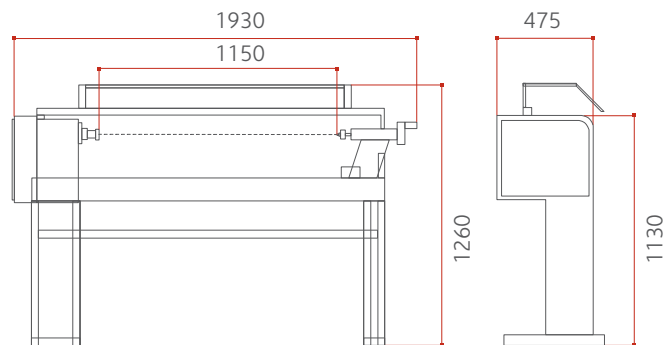


A) Sanding unit, complete with adjustable angle work surface, guide and sanding disc.



B) Four-jaw chuck 125 mm diameter for the rapid clamping of squared or circular components.

dimensions and technical data



- S Standard
- O Optional

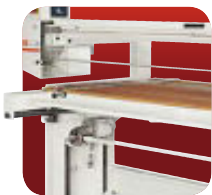
		t 124
Distance between centres	mm	1150
Centres height	mm	200
4 chuck speeds (at 50 Hz)	rpm	570 / 1000 / 1850 / 2500
Tape drive with morse taper	n.	2
Ball bearing centre with morse taper	n.	2
Face plate diameter	mm	130
Machine equipped with copying device (optional)...		
Max. working length	mm	1120
Max. diameter	mm	200
...and equipped with mobile rest (option):		
Max. working length	mm	1070
Max. diameter	mm	80
Three-phase motor 1,5kW (2hp) 50 Hz - 1,8 kW (2,5 hp) 60 Hz		S
Single-phase motor 1,5kW (2hp) 50 Hz		O

double goose-
neck narrow
belt sanders
Is

*Simple
and Reliable
Over time.*

		Is
Worktable dimensions	mm	2500 x 1100 / 3000 x 1100
Sanding belt width	mm	150
Belt speed	m/sec	18
Worktable vertical stroke	mm	580
Gooseneck depth	mm	820
Three-phase motor (S1) starting from	kW/Hz	3 (3,6) / 50 (60)

Find the complete technical specification at page. 99



Structure
zero vibrations



Pulleys
speed under control



Belt Tensioning Device
practical to use

Belt sanding machines for edges and surfaces, extremely simple and reliable over time, for demanding DIY woodworkers and woodworking shops.

sanders
 unilev 150 with oscillating vertical belt
 dg 60 modular disc sander

		unilev 150	dg 60
Worktable dimensions	mm	1440 x 710	700 x 350
Sanding belt width	mm	150	150
Belt speed	m/sec.	12 / 24	9
Vertical movement of the oscillating unit	mm	130	-
Disc speed	rpm	-	900
Disc diameter	mm	-	600

Find the complete technical specification at page 99



Worktable
perfect sanding



Supplementary Table
flexibility



Exhaust System
clean work environment



Optional Devices
functional

Belt and disc sanding machines for edges and surfaces, extremely simple and reliable over time, for demanding DIY woodworkers and woodworking shops.

sanders operating groups

zero vibrations

Structure.

Excellent stability and high precision machining without vibrations, for a top-level finished product, with the heavy duty structures and the perfect sliding of the sliding table. All the controls are easy to use and located within easy reach of the operator. ls

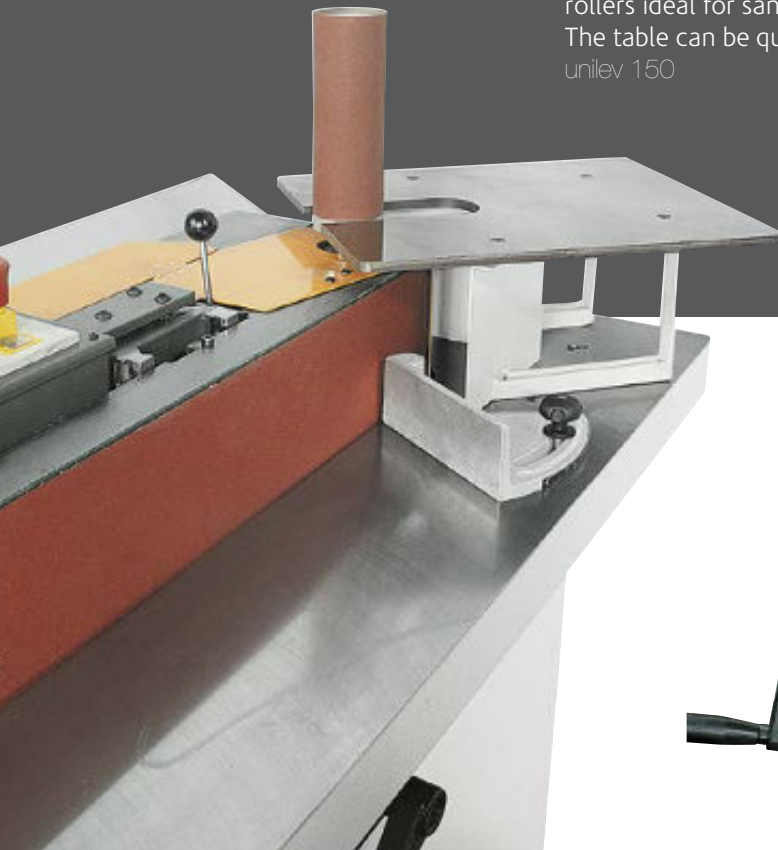


sanders dimensions and technical data

perfect sanding on shaped
workpieces...

Supplementary Table.

A machine even more flexible, with the supplementary table complete with rubber rollers ideal for sanding shaped workpieces. The table can be quickly installed and removed. unilev 150



...and on profiles

Worktable.

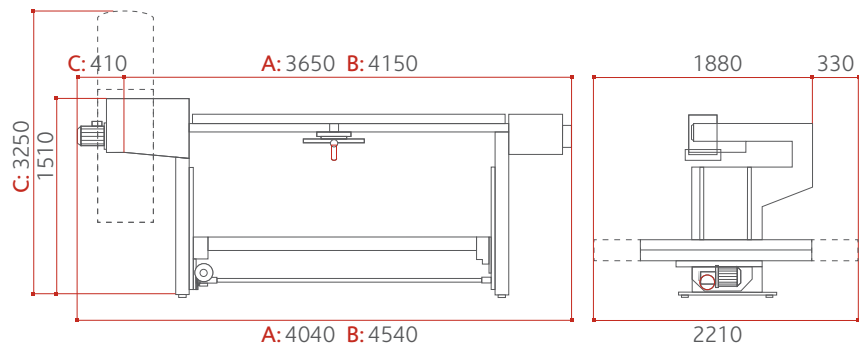
The worktable can be tilted 45° guaranteeing a precise sanding also of tilted profiles. unilev 150 and dg 60



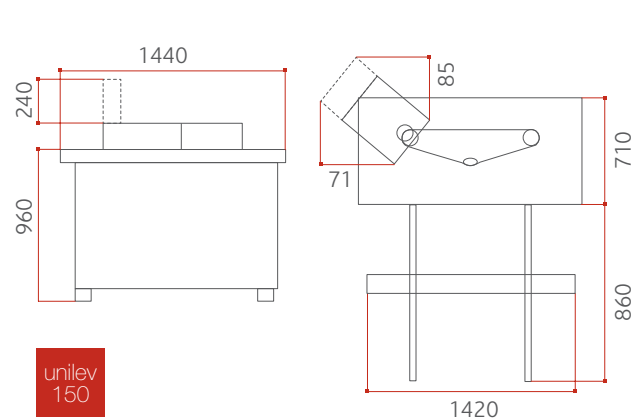
no limits to sanding

Possibility to compose the machine with functional devices such as the sanding belt unit and the pneumatic roller to sand shapes and holes. dg 60

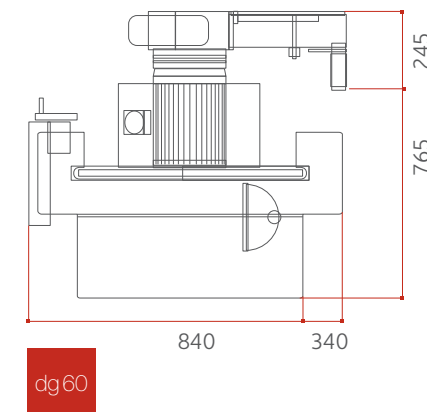




ls



unilev
150



dg60

- A ls 2500
- B ls 3000
- C with bag for dust extraction

	ls	unilev 150	dg 60
Worktable length	mm	2500 ÷ 3000	
Working width	mm	1100	
Vertical stroke of worktable	mm	580	
Abrasive belt width	mm	150	
Abrasive belt height	mm	7100	
Belt speed (CE)	m/sec	18	
Dust extraction outlet diameter	mm	140	
Depth of gooseneck	mm	820	
Pulley diameter	mm	250	
Pad dimensions	mm	150 x 360	
Belt motor with reverse rotation S1	kW/ Hz	3 (3,6) / 50 (60)	
Lifting motor S1	kW/ Hz	0,3 (0,4) / 50 (60)	
Abrasive belt width	mm		2170
Abrasive belt height	mm		150
Worktable length	mm		1440
Worktable total width	mm		710
Worktable tilting			0° ÷ 45°
2-speed belt motor S1	m/sec		12 / 24
Vertical oscillation	mm		130
Powered roller diameter	mm		160
2-speed belt motor S1	kW/ Hz		2,2 / 3 (2,7 / 3,6) / 50 (60)
Oscillating unit vertical movement	mm		20
Exhaust outlet diameter	mm		120
Worktable dimensions	mm		700 x 350
Table and fence tilting			90° ÷ 45°
Disc diameter	mm		600
Rotating speed	rpm		900
Motor power S1	kW/ Hz		2,2 (2,7) / 50 (60)

band saws

s 45 n
s 400 p
s 500 p
s 600 p
s 700 p
s 800 p
s 900 p



Precision Since the First Cut.

		s 45 n	s 400 p	s 500 p	s 600 p	s 700 p	s 800 p	s 900 p
Worktable dimensions	mm	520 x 600	450 x 600	500 x 700	580 x 810	710 x 1030	800 x 1170	800 x 1170
Cast iron saw wheels diameter	mm	450	400	500	600	700	800	900
Max. cutting height	mm	300	400	500	360	435	500	550
Max. cutting width	mm	440	380	480	580	680	780	880
Worktable tilting (no CE)		0° ÷ 20° (45°)	0° ÷ 20° (45°)	0° ÷ 20° (45°)	0° ÷ 20° (45°)	0° ÷ 20° (45°)	0° ÷ 20° (45°)	0° ÷ 20° (45°)
Three-phase motor power starting from	kW/Hz	3 (3,6) / 50 (60)	1,5 (1,8) / 50 (60)	2,2 (2,7) / 50 (60)	2,2 (2,7) / 50 (60)	3 (3,6) / 50 (60)	4 (4,8) / 50 (60)	5,5 (6,6) / 50 (60)

Find the complete technical specification at page 103

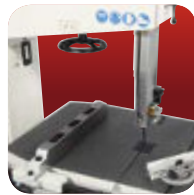
Professional band saws, sturdy and extremely precise,
for woodworking shops and craftsmen



Cast iron Saw Wheels
solidity

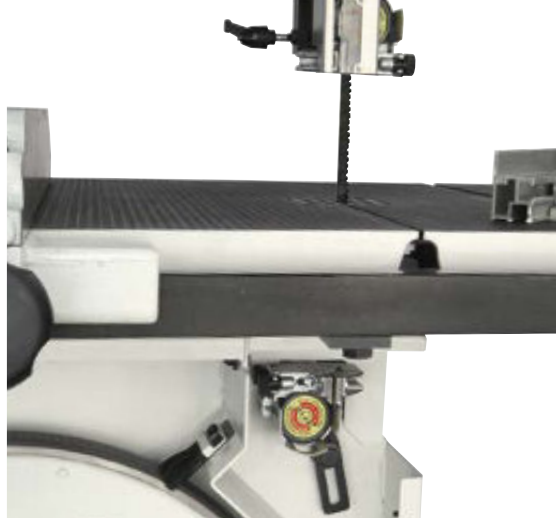


Blade Guide
perfect results



Protection
safety first

band saws operating groups



perfect results

Blade Guide.

A perfect cut result is assured by the top and bottom blade guides. Practical machines suitable also to perform straight and tilted cuts on wood, plastic and aluminum.



solidity

Cast-Iron Saw Wheels.

Very thick, cast-iron wheels, as well as the worktable, running on sealed for life ball bearings.

safety first

Protection.

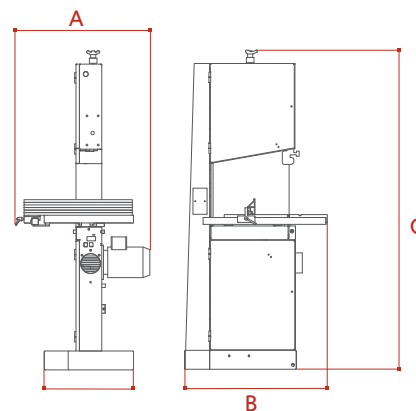
Total safety machining with telescopic protections with rack to the blade



band saws dimensions and technical data

s45n s400p s500p s600p s700p s800p s900p

A	mm	780	610	700	760	880	945	955
B	mm	830	830	940	1165	1415	1620	1740
C	mm	1860	1915	2060	2075	2300	2495	2705



		s 45 n	s 400 p	s 500 p	s 600 p	s 700 p	s 800 p	s 900 p
Worktable dimensions	mm	520 x 600	450 x 600	500 x 700	580 x 810	710 x 1030	800 x 1170	800 x 1170
Cast iron saw wheels diameter	mm	450	400	500	600	700	800	900
Max. cutting height	mm	300	400	500	360	435	500	550
Max. cutting width	mm	440	380	480	580	680	780	880
Worktable tilting (CE)		0° ÷ 45° (20°)	0° ÷ 45° (20°)	0° ÷ 45° (20°)	0° ÷ 45° (20°)	0° ÷ 45° (20°)	0° ÷ 45° (20°)	0° ÷ 45° (20°)
Min. / max. saw blade length	mm	3690 / 3742	3835 / 3910	4296 / 4376	4480 / 4580	5040 / 5180	5540 / 5670	6100 / 6300
Min. / max. blade dimensions	mm	6 x 0,5 / 25 x 0,5	10 x 0,5 / 30 x 0,5	10 x 0,5 / 30 x 0,5	10 x 0,6 / 35 x 0,6	10 x 0,6 / 40 x 0,6	10 x 0,7 / 45 x 0,7	10 x 0,8 / 50 x 0,8
Three phase motor	kW/ Hz	3 (3,6) / 50 (60)	1,5 (1,8) / 50 (60)	2,2 (2,7) / 50 (60)	2,2 (2,7) / 50 (60)	3 (3,6) / 50 (60)	4 (4,8) / 50 (60)	5,5 (6,6) / 50 (60)
Exhaust outlet diameter	mm	120	100	100	100	100	120	120
Air consumption	l/min (bar)	-	-	-	-	-	0,027 (6)	0,027 (6)



chop saws **110**

clamps **112**

radial saws **108**

dust collectors **106**

horizontal mortisers **114**



complementary machines

dust collectors

eco 300 d dust collectors with 2 bags

eco 300 s dust collectors with 1 bag

		eco 300 d	eco 300 s
Bags number	n.	2	1
Air flow rate	m ³ /h	3900	2550
Fan diameter	mm	305	300
Bags diameter	mm	500	500
Exhaust systems attachment, number/diameter	n./mm	3 / 100	2 / 100
Bags capacity	m ³	0,43	0,15



radial saws

sr 900

sr 750

sr 650



		sr 900	sr 750	sr 650
Blade diameter	mm	400	350 ÷ 400	350 ÷ 400
Blade tilting		-45° ÷ +45°	-45° ÷ +45°	-45° ÷ +45°
Max. cutting depth with 90°/45° blade (* with 400 mm blade)	mm	120 / 83	120 / 83*	120 / 83*
Max. cross-cut capacity	mm	900 x 20	750 x 20	640 x 20
Three-phase motor starting from	kW/Hz	4 (4) / 50 (60)	3 (3) / 50 (60)	3 (3) / 50 (60)

radial saws operating groups



long lasting functionality
Column Protection Cover.

The mechanisms of which the machine is equipped, as the protection cover on the arm column support, protect the mechanical parts from dust, guaranteeing the best operation over time.



precision and smoothness
Carriage with 8 Bearings.

The 8 bearings on the slideways grant the best carriage smoothness and an optimal support for a perfect cutting result.



absolute operator
safety

Blade Guard.
It guarantees the absolute operator's safety.



maximum cutting
precision

Cast Iron Arm with Steel Interchangeable Sliding Ways.

The cast iron structure provides the arm the maximum solidity and rigidity for the maximum cutting precision.

The interchangeable sliding ways allows the operator a simple and rapid replacing, in case of wear, without direct intervention on the arm.

chop saws cut 350



		cut 350
Blade diameter	mm	350
Max. cross-cut capacity	mm	210 x 30
Max. operating pressure	bar	8
Air consumption	Nl/cycle	6
Three-phase motor power starting from	kW/Hz	3 (3) / 50 (60)

chop saws operating groups



always clean

Exhaust Outlets.

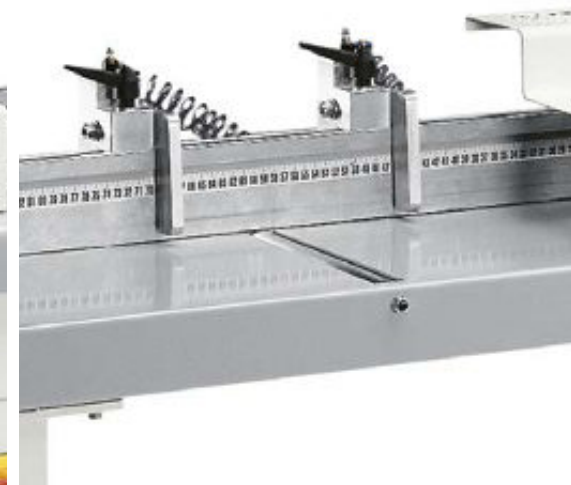
The exhaust outlets positioned near the dust evacuation areas ensure a fully cleaning of the working environment.



absolute operator safety

Blade Guard.

The blade guard and the other operator's protection systems, as the bi-manual hand-safety control, allow to operate with absolute safety.

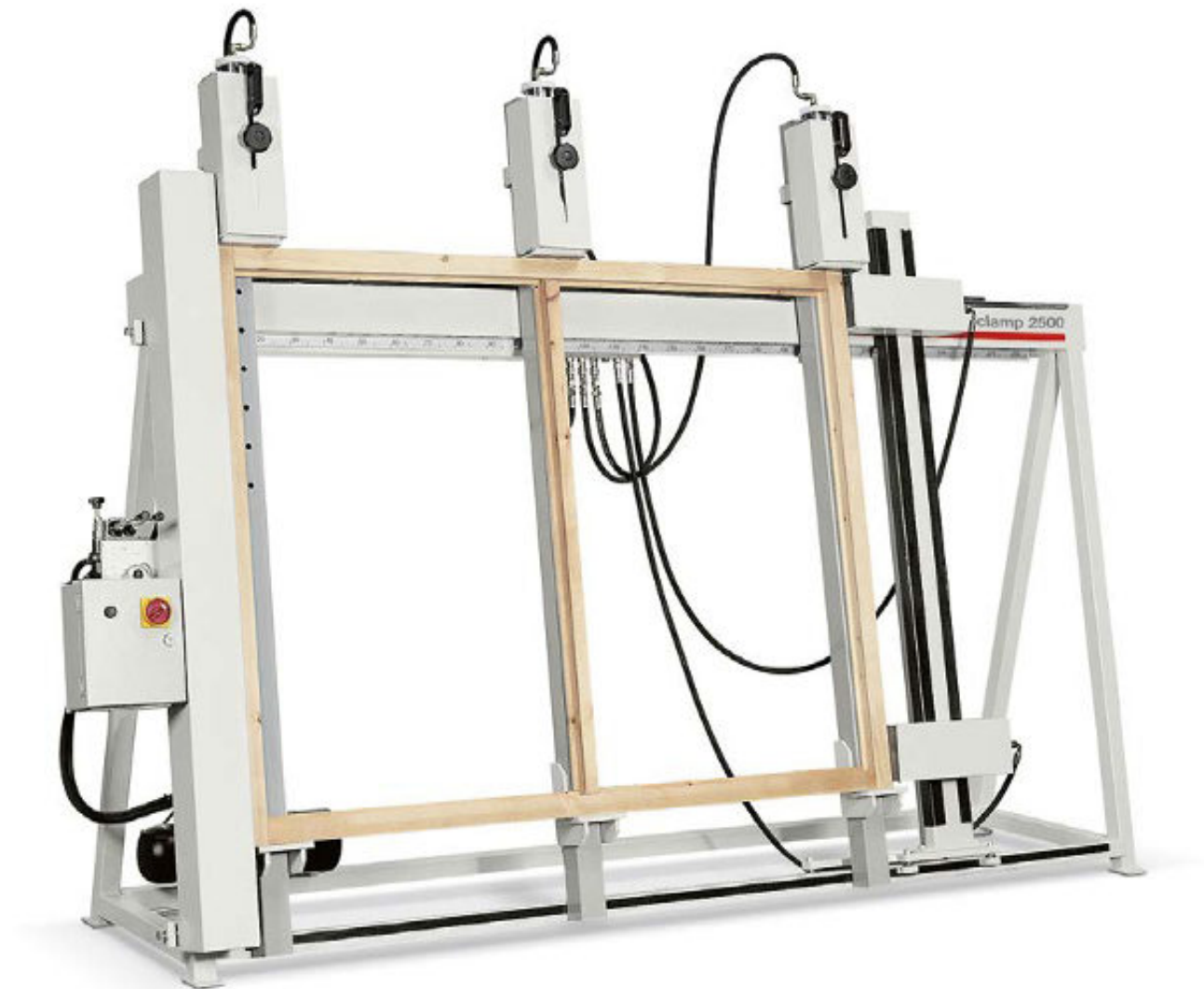


smart solutions

Optional Stops and Pneumatic Positioning.

The machine is equipped with intelligent solutions as, the optional stops and the pneumatic positioning.

clamps clamp 2500



		clamp 2500
Working dimensions	mm	2500 x 1800
Stroke of vertical hydraulic cylinders	mm	150
Thrust of each vertical hydraulic cylinders	kg	1270
Stroke of horizontal hydraulic cylinders	mm	120
Thrust of each horizontal hydraulic cylinder	kg	770

clamps operating groups

solidity and sturdiness

Lower Cast Iron Supports.

Even more machine sturdiness with the lower cast-iron supports.



pressure under control

Control Panel.

The hydraulic cylinders pressure is controlled by practical levers and a control panel equipped with a valve with reading manometer and a locking cock for the cylinders pressure maintaining. The process is always under control.



extremely easy to use

Hydraulic Cylinders.

The simple and rapid vertical beams positioning system allows a very simple hydraulic cylinders adjustment.

horizontal mortisers as 16



		as 16
Longitudinal stroke	mm	200
Vertical stroke	mm	160
Transversal stroke	mm	125
Chuck diameter	mm	1 ÷ 16
Spindle speed	rpm	3000
Three-phase motor starting from	kW/Hz	1,5 (1,8) / 50 (60)

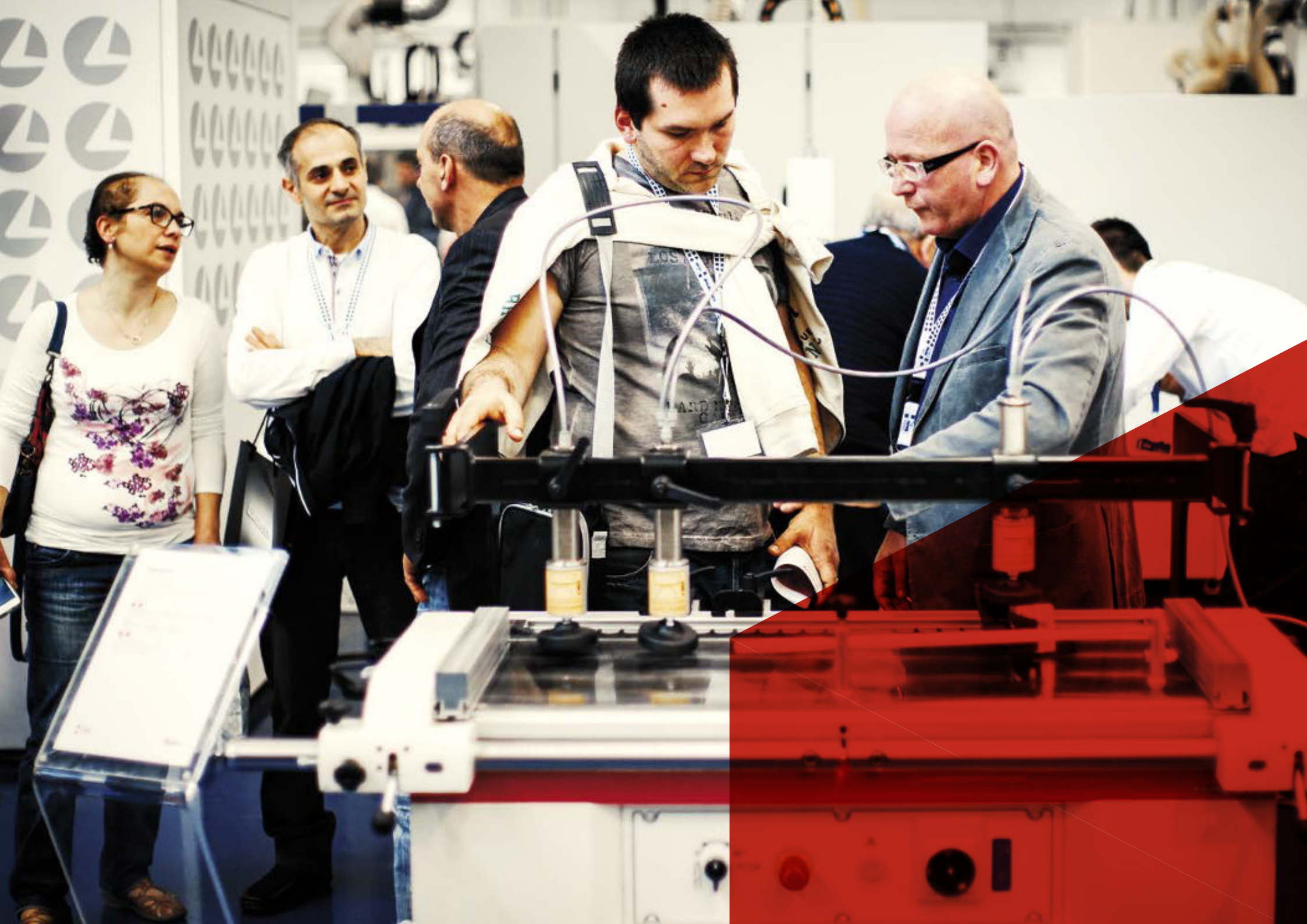
horizontal mortisers operating groups



solidity and manageability
**Cast Iron Structure and Sliding System
on Cylindrical Bars.**
Solidity and easy to handle with the
cast-iron strong structure which easily
moves on cylindrical sliding bars.



ease of use
Hand-Wheel and Levers.
Easy movement of the boring head due to the
practical control by hand-wheel and levers.



The motors powers in this catalogue are expressed in S6-40%, except where otherwise specified. In this catalogue, machines are shown in CE configuration and with options. We reserve the right to modify technical specifications without prior notice, provided that such modifications do not affect safety as per CE norms.

rev. n. 00
maggio/2015

Mic Studio: Prestampa
Acanto Comunicazione: Direzione Artistica
Grafiche Pazzini: Stampa





1
Large integrated
group
/

14
Specialist
brands
/

18
Production
sites
/

19
Foreign
branches
/

More than
60 years
in business
/

80%
Exports
/

350
Agents
and dealers
/

390
Registered
patents
/

500
Support
technicians
/

3,000
Square metres of
showroom
/

10,000
Classical and professional
machines
manufactured per year
/

240,000
Square metres
of production space
/



Società del Gruppo Scm

sede legale:

via Emilia, 77

47921 Rimini, Italia

T. +39 0541 700111

F. +39 0541 700232

sede commerciale:

via Casale, 450

47826 Villa Verucchio, Rimini, Italia

T. +39 0541 674111

F. +39 0541 674273

scmgroup@scmgroup.com

www.scmgroup.com



Scm Industria Spa

Professional Workshop Machinery

via Valdicella, 7

47892 Gualdicciolo,

Repubblica di San Marino

minimax@scmgroup.com

ufficio commerciale Italia:

T. +378 0549 876911

F. +378 0549 999604

ufficio commerciale estero:

T. +39 0541 674111

F. +39 0541 674273

www.scmgroup.com



scmgroup.com/minimax