



THE LARGEST MANUFACTURER OF
POWER FEEDERS
IN THE WORLD.



DISTRIBUTOR:

BERGSLI A.S

BEDRIFTSVEIEN 64 TLF. : +35 50 35 00
P.BOX 2553 TELEFAX : +35 59 86 91
N - 3702 SKIEN, NORWAY

We reserve the right to Modify the machines
without giving notice.

No. 011-0308-2 Printed in Taiwan July 1997

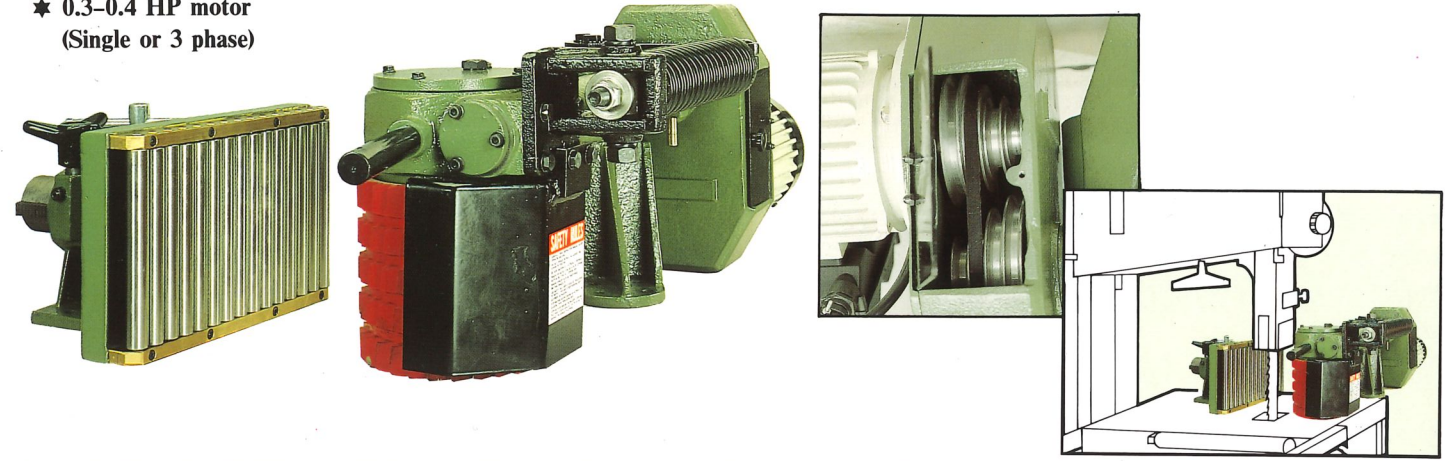


ISO-9002
TÜV Cert



AF-18 BAND SAW FEEDER

- ★ 8 Speeds
- ★ 0.3-0.4 HP motor (Single or 3 phase)



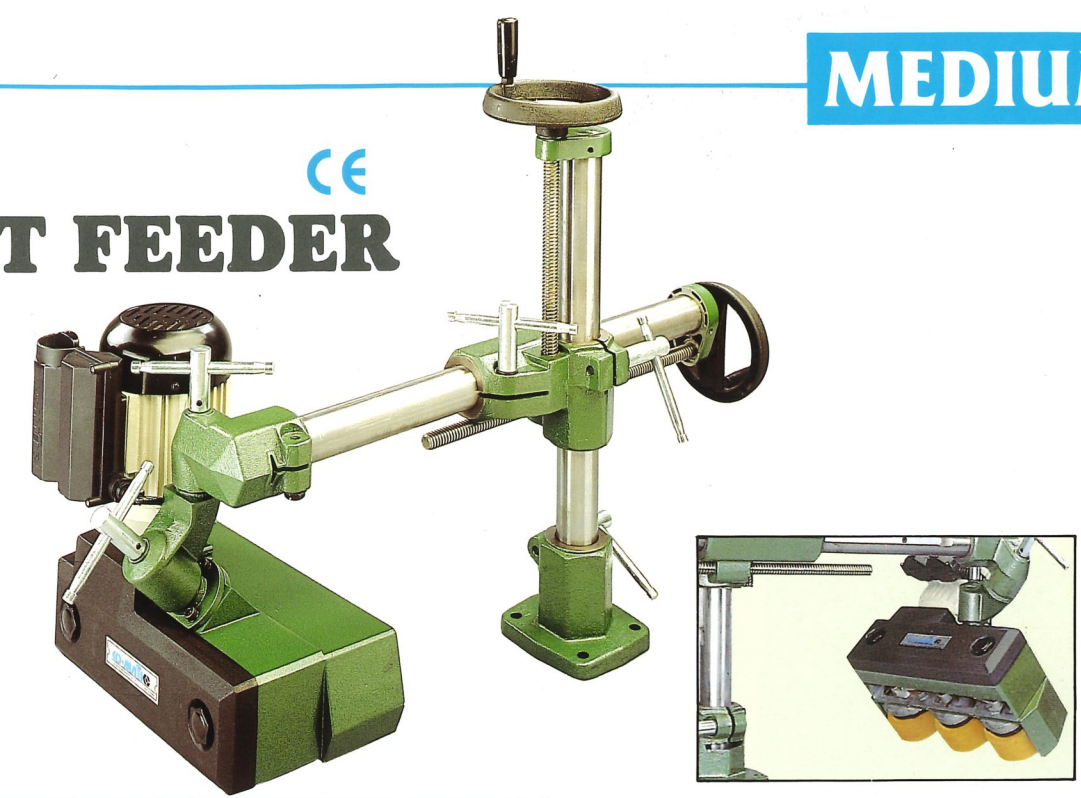
MODEL	AF-18	AF-32
Feeding Speeds	3/5/6/8/10/13.5/17/28 M/min. (10/17/27/33/45/57/93 Ft/Min.)	6/8/10/13M/min. (20/26/33/43Ft/Min)—60Hz 5/6.5/8/11M/min. (16/21/26/36 Ft/Min.)—50Hz
Roller Size	175m/m Dia x 160m/m Width (7" Ø x 6 1/2")	80m/m Dia x 30m/m Width (3 1/8" Ø x 1 3/16")
Fence Size	175 x 400mm	—
Motor	0.3-0.4HP Single or 3 Phase	0.18kw (0.25HP) Single or 3 Phase
Roller Blade Clearance	150mm (6")	12mm (1/2")
Fence Blade Clearance	100mm (4")	—
Net Weight	80kgs (177 Lbs)	32kgs (71 Lbs)
Gross Weight	95kgs (211 Lbs)	34kgs (75 Lbs)
Packing Size	950 x 400 x 400mm (38" x 16" x 16")	600 x 600 x 300mm (24" x 24" x 12")
20Ft Container	—	320 sets

* Specifications subject to change without notice.

AF-308 CABINET FEEDER



- ★ 3 Rollers
- ★ 4 Speeds on single phase
- ★ 8 Speeds on three phase
- ★ 0.5HP motor (Single or 3 phase)



MODEL	AF-308	AF-408
Feeding Speeds: 1 Phase	5.8/9/15/23 M/min. (19/30/50/76 Ft/min.)—Optional 2.9/4.5/7.5/11.5 M/min. (9.5/15/25/38 Ft/min.)—Standard	—
3 Phase (220-240V Single Phase benefit Capacitor running)	2.9/4.5/5.8/7.5/9/11.5/15/23 M/min. 9.5/15/19/25/30/38/50/76 Ft/min.	—
Roller Size	10 mm Dia. x 50mm Width (4" Dia. x 2" Width)	—
Motor	0.5HP, Single or 3 Phase	—
Roller Suspension	20mm (3/4")	—
Net Weight	25kgs (55 Lbs) + 25kgs (55 Lbs)	28kgs (62 Lbs) + 25kgs (55 Lbs)
Gross Weight	27kgs (60 Lbs) + 27kgs (60 Lbs)	30kgs (67 Lbs) + 27kgs (60 Lbs)
Packing Size	500 x 470 x 245mm/260 x 210 x 760mm	292 x 560 x 760mm/260 x 210 x 760mm
20Ft. Container	276 Sets (552 Cartons)	155 Sets (310 Cartons)

* Specifications subject to change without notice.

EV-01 POWER ELEVATOR

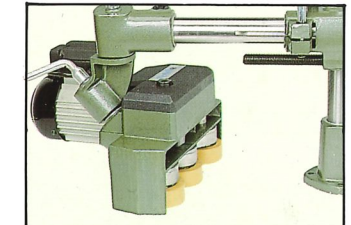
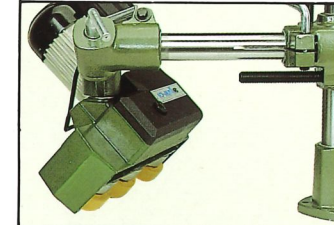
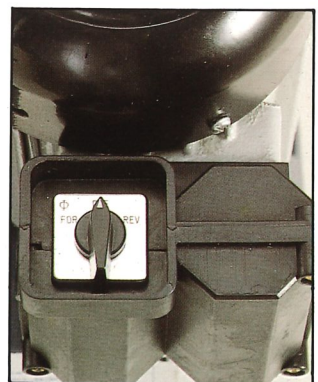
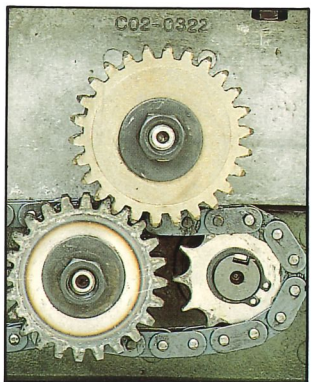


SMALL

AF-32 JUNIOR FEEDER



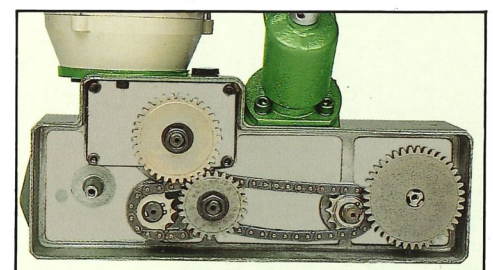
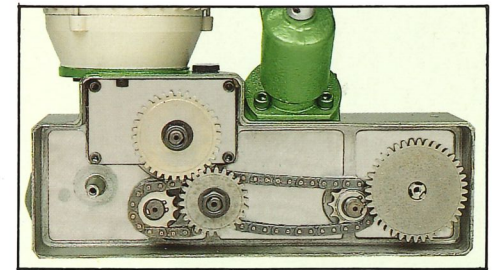
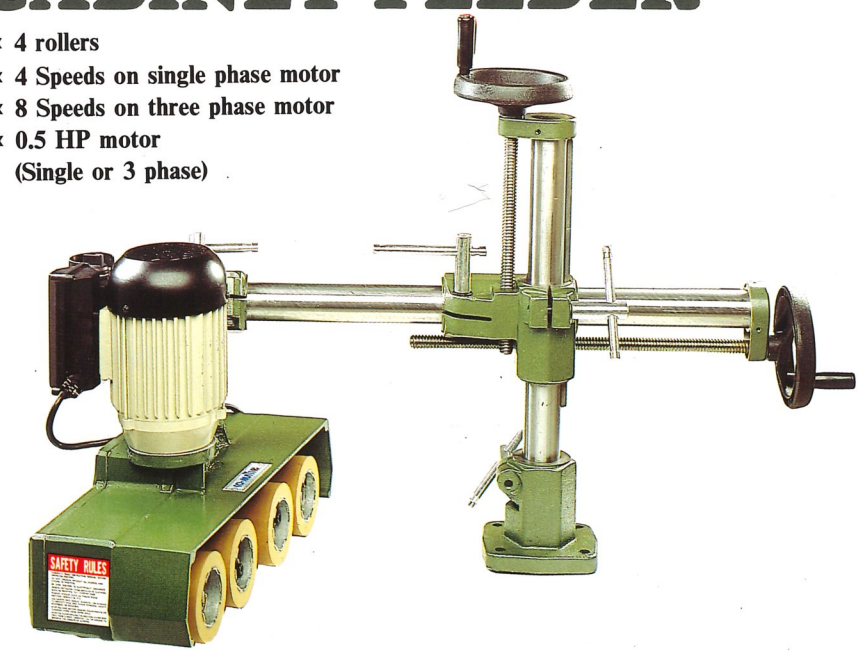
- ★ 3 Rollers
- ★ 4 Speeds
- ★ 0.25HP motor (Single phase)



AF-408 CABINET FEEDER



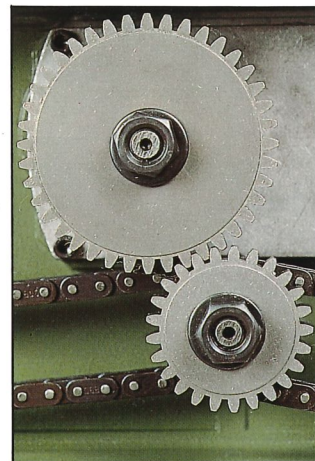
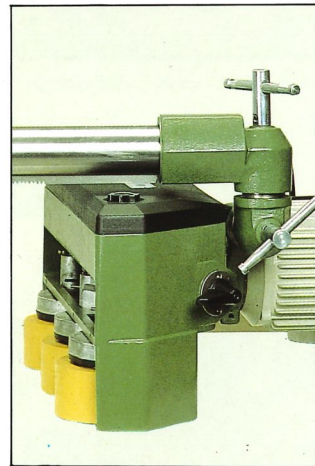
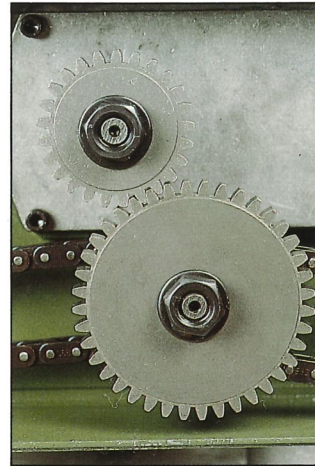
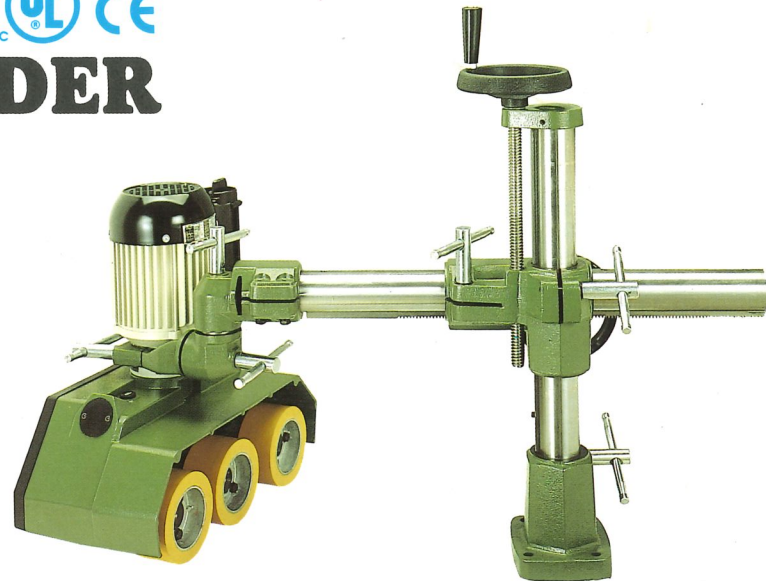
- ★ 4 rollers
- ★ 4 Speeds on single phase motor
- ★ 8 Speeds on three phase motor
- ★ 0.5 HP motor (Single or 3 phase)



AF-34 4-SPEED FEEDER



- ★ 3 Rollers
- ★ 4 Speeds
- ★ 1 HP motor
(single or 3 phase)



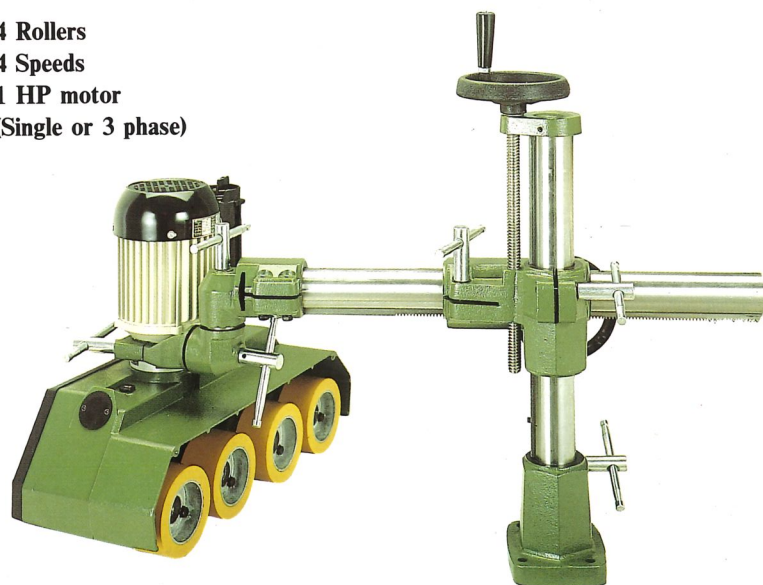
MODEL	AF-34	AF-44
Feeding Speeds	4/8/11/22 M/min (13/26/36/72 Ft/min)	
Roller Size	120mm Dia. x 60mm Width (4 3/4" Dia. x 2 1/4" Width)	
Motor	1Hp Single or 3 Phase	
Roller Suspension	20mm (3/4")	
Net weight	27kgs (60 Lbs) + 33kgs (73 Lbs)	32kgs (71 Lbs) + 33kgs (73 Lbs)
Gross Weight	29kgs (64 Lbs) + 35kgs (77 Lbs)	34kgs (75 Lbs) + 35kgs (77 Lbs)
Packing Size	292 x 572 x 533mm/292 x 330 x 762mm	762 x 292 x 560mm/292 x 330 x 762mm
20Ft. Container	190 Sets (380 Cartons)	155 Sets (310 Cartons)

* Specifications subject to change without notice.

AF-44 4-SPEED FEEDER



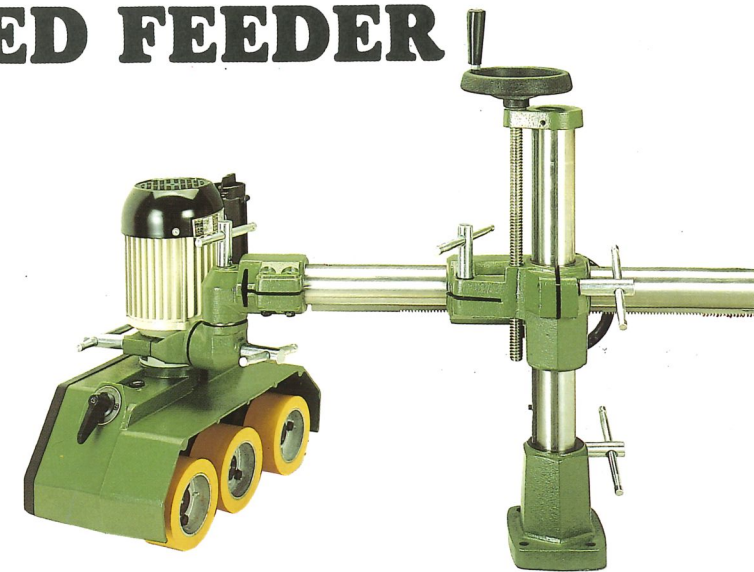
- ★ 4 Rollers
- ★ 4 Speeds
- ★ 1 HP motor
(Single or 3 phase)



AF-38 8-SPEED FEEDER

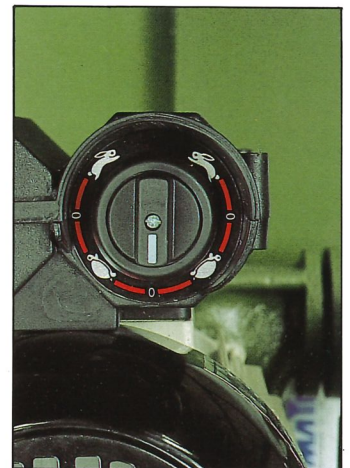


- ★ 3 Rollers
- ★ 8 Speeds
- ★ 1 HP motor
(Single or 3 phase)



MODEL	AF-38	AF-48
Feeding Speeds	2/4/5.5/6.7/11/13/16.5/33 M/min. (6.5/13/18/22/36/43/55/108 Ft/min.)	
Roller Size	120mm (4 3/4") Dia. x 60mm (2 1/4") Width	
Motor	1HP (Pole change) Spingle or 3 Phase	
Roller Suspension	25mm (1")	
Net Weight	29kgs (64 Lbs) + 33kgs (73 Lbs)	34kgs (75 Lbs) + 33kgs (73 Lbs)
Gross Weight	31kgs (68 Lbs) + 35kgs (77 Lbs)	36kgs (79 Lbs) + 35kgs (77 Lbs)
Packing Size	292 x 572 x 533mm/292 x 330 x 762mm	760 x 292 x 560mm/292 x 330 x 762mm
20Ft. Container	190 Sets (380 Cartons)	155 Sets (310 Cartons)

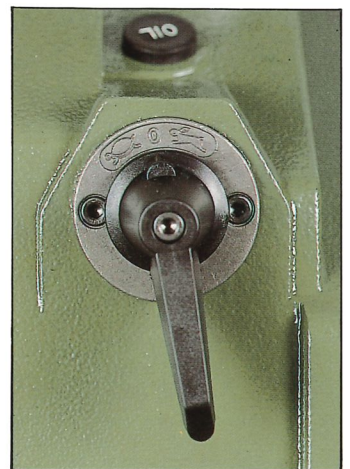
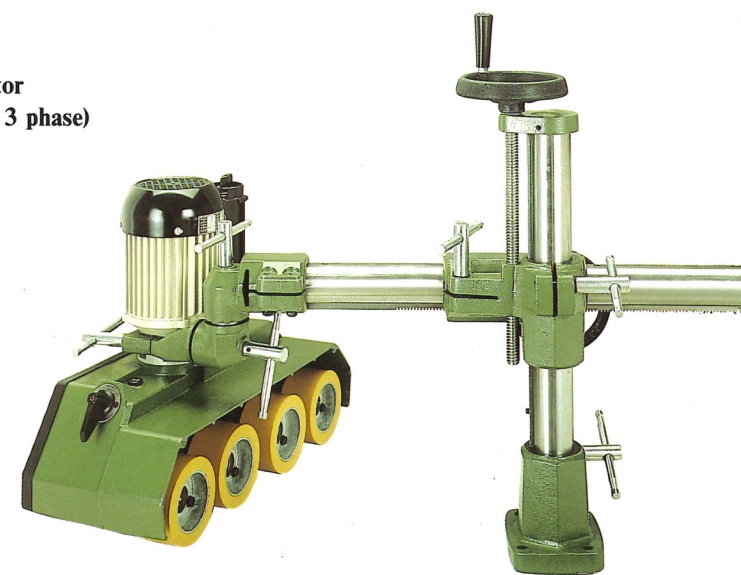
* Specifications subject to change without notice.



AF-48 8-SPEED FEEDER



- ★ 4 Rollers
- ★ 8 Speeds
- ★ 1 HP motor
(Single or 3 phase)

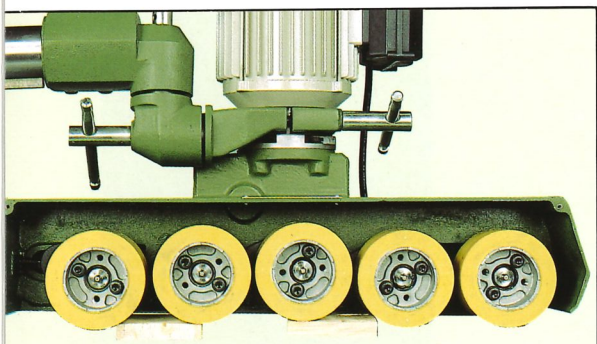
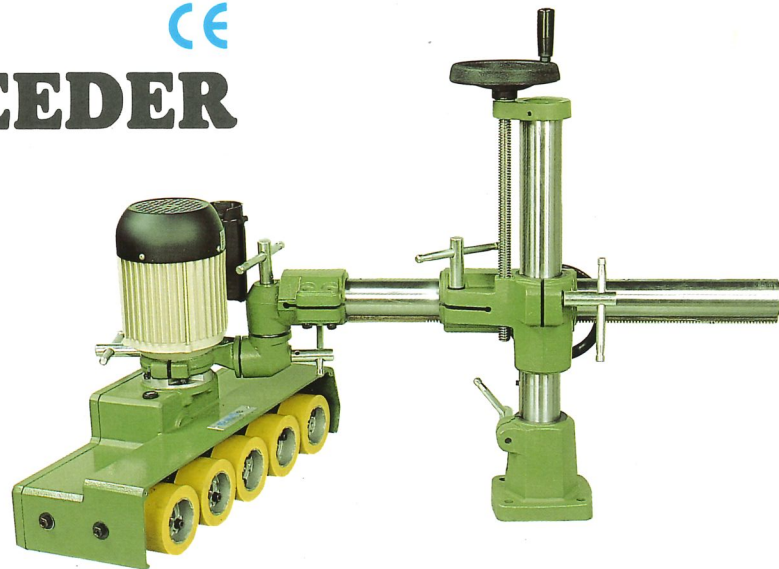


X

AF-54 4-SPEED FEEDER



- ★ 5 Rollers
- ★ 4 Speed.
- ★ 1HP motor
(Single or 3 phase)



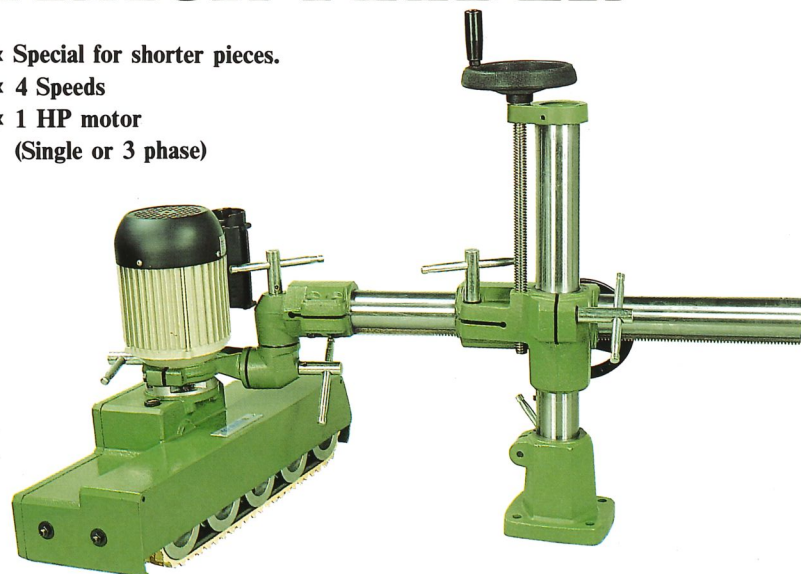
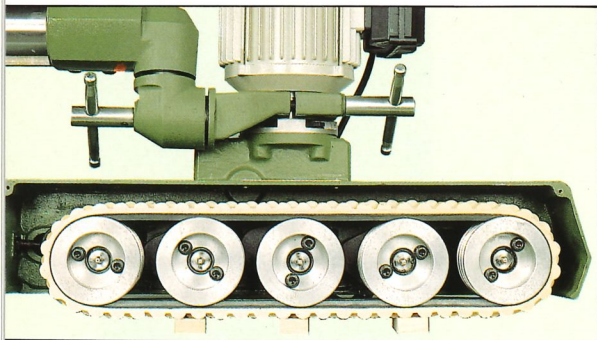
MODEL	AF-54	AF-04
Feeding Speeds	4/8/11/22 M/min. (13/26/36/72 Ft/min)	4.5/9/12/24 M/min (14.5/29/39/78 Ft/min)
Roller/Belt Size	100mm Dia x 50mm Width (4" Dia x 2" Width)	12.7mm Width x 1118mm Length x 3pcs 1/2" Width x 44" Length x 3pcs)
Motor	1HP Single or 3 Phase	
Roller Suspension	20mm (3/4")	
New Weight	30kgs (66 Lbs) + 33kgs (73 Lbs)	
Gross Weight	32kgs (71 Lbs) + 35kgs (77 Lbs)	
Packing Size	762 x 292 x 560mm/292 x 330 x 762mm	
20Ft Container	155 Sets (310 Cartons)	

* Specifications subject to change without notice.

AF-04 TRACK FEEDER



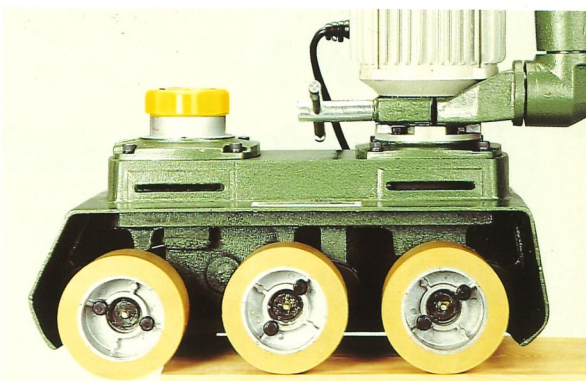
- ★ Special for shorter pieces.
- ★ 4 Speeds
- ★ 1 HP motor
(Single or 3 phase)



AF-30 VARIABLE-SPEED FEEDER

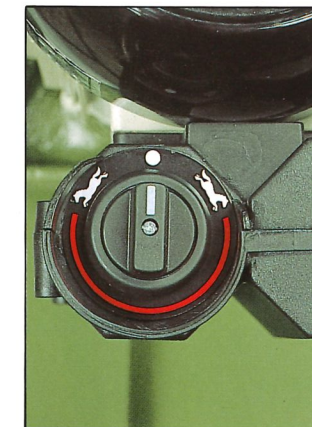


- ★ 3 Rollers
- ★ Variable speed
- ★ 1 HP motor
(Single or 3 phase)



MODEL	AF-30	AF-40
Feeding Speeds	2.9M-15.5M (9.5Ft-51Ft)—60Hz 2.4M-13M (8Ft-42.6Ft) —50Hz	
Roller Size	120mm (4 3/4") Dia x 60mm (2 1/4") Width	
Motor	1HP Single or 3 Phase	
Roller Suspension	20mm (3/4")	
Net Weight	32kgs (71 Lbs) + 33kgs (73 Lbs)	37kgs (82 Lbs) + 33kgs (73 Lbs)
Gross Weight	34kgs (75 Lbs) + 35kgs (77 Lbs)	39kgs (86 Lbs) + 35kgs (77 Lbs)
Packing Size	292 x 572 x 533mm/292 x 330 x 762mm	
20 Ft Container	190 Sets (380 Cartons)	155 Sets (310 Cartons)

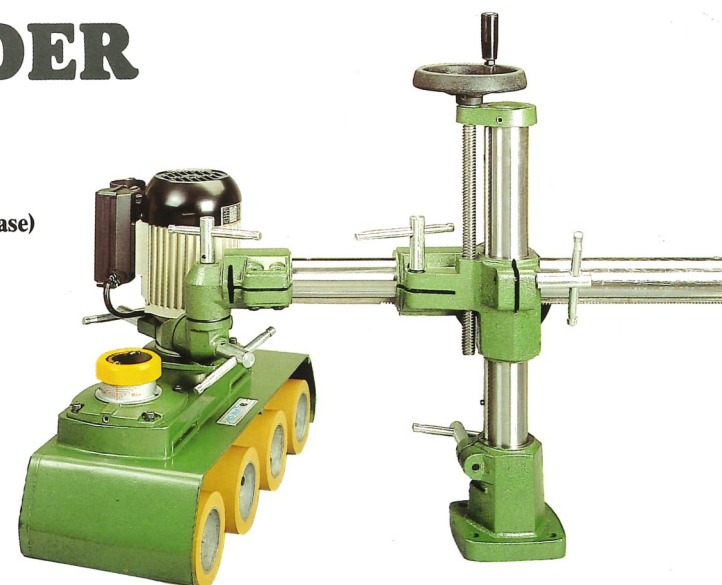
* Specifications subject to change without notice.



AF-40 VARIABLE-SPEED FEEDER



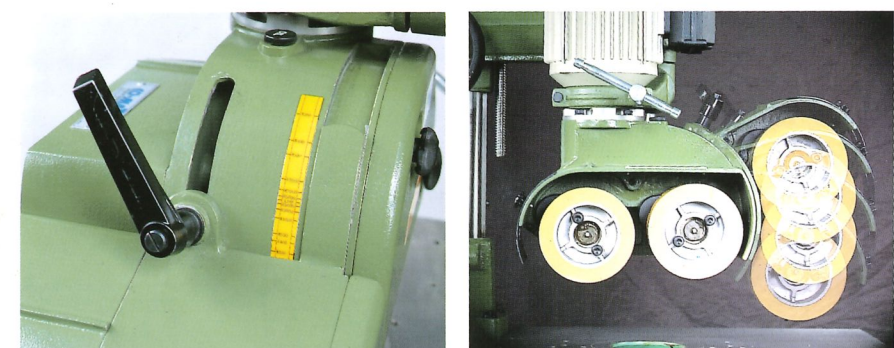
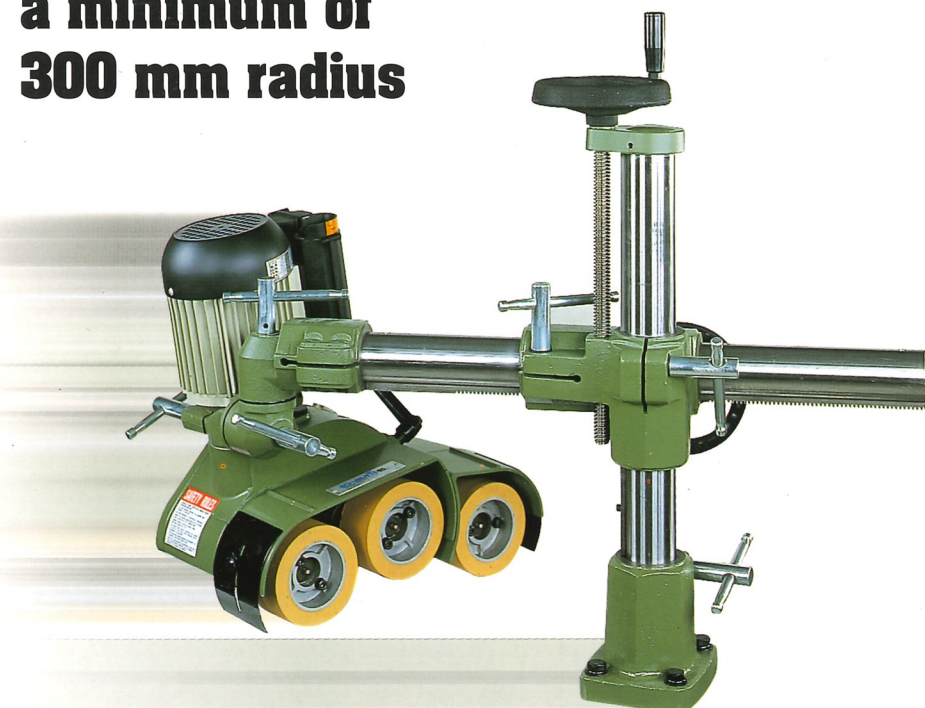
- ★ 4 Rollers
- ★ Variable Speed
- ★ 1 HP motor
(Single or 3 phase)



CURVE FEEDER

AF-C3

The feeder can easily feed workpieces to a minimum of 300 mm radius



The exclusively designed rear roller can be adjusted to suit curved workpiece feeding.



PATENTED

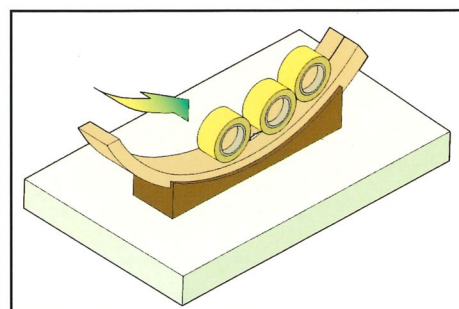
SPECIFICATIONS:

MODEL	AF-C3
Curve range	MIN. 300mmR (Internal or External)
Feed Speed	4-8-11-22 M/min (13-26-36-72 Ft.) (Optional) with Servo Motor 2-24 M/min (6.5-80 Ft.)
Rollers	3 Rollers 120mm Dia. x 60 with (4 3/4"Øx2 1/4" width)
Motor	1 HP Single or 3 Phase
N.W.	32kgs (71 Lbs)+33kgs (73 Lbs)
G.W.	34kgs (75 Lbs)+35kgs (77Lbs)
Packing size	762x292x560mm / 292x330x762mm

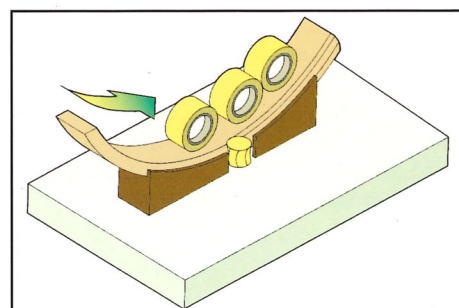
* Specifications subject to change without notice.

APPLICATION:

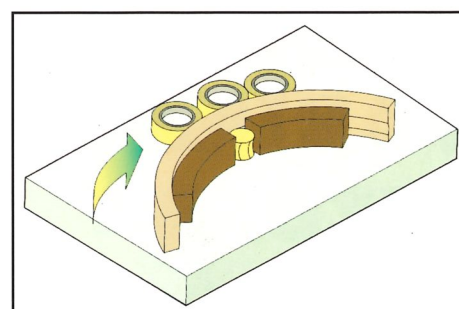
For feeding curved stocks on a router spindle shaper and table saw... etc.



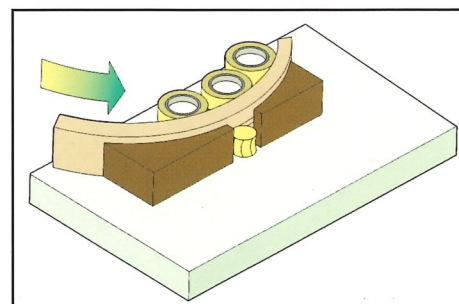
Curved stock cutting on a table saw.



Edge sloping on a spindle shaper.



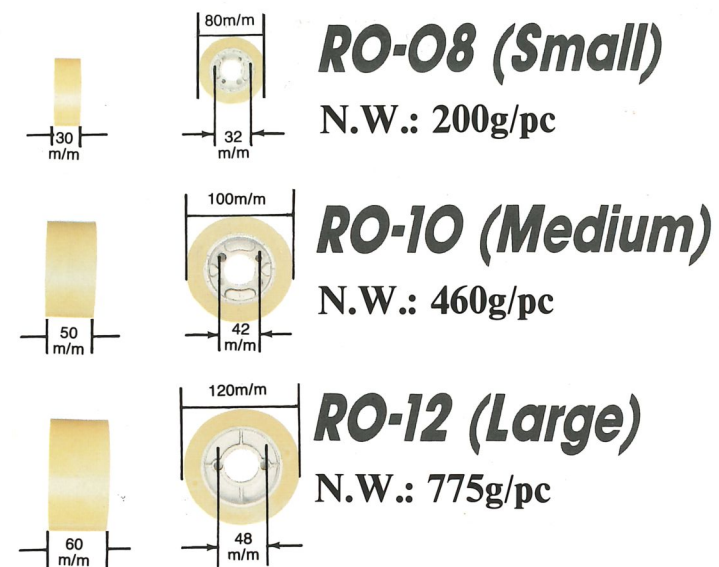
Internal curve shaping on a spindle shaper.



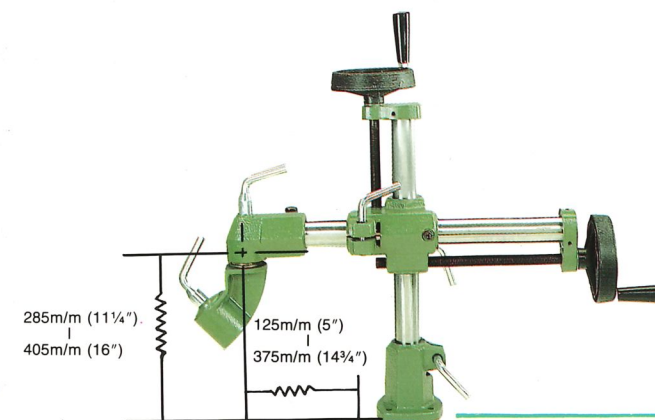
External curve shaping on a spindle shaper.

FEEDING ROLLER

The unique tenon design of the feeding roller makes it feasible to connect an additional roller to double the width for wider workpiece feeding.

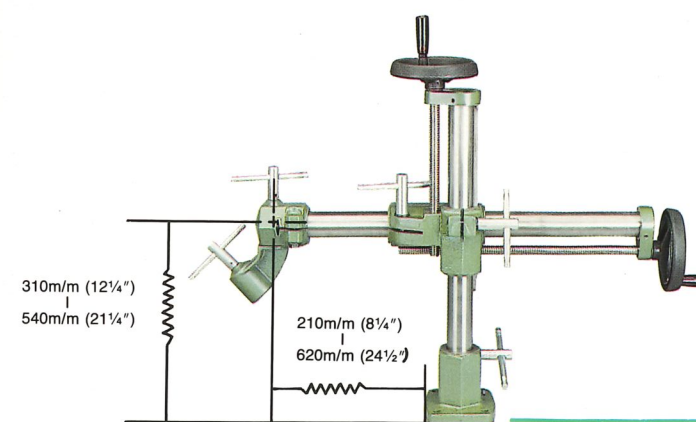


UNIVERSAL STAND



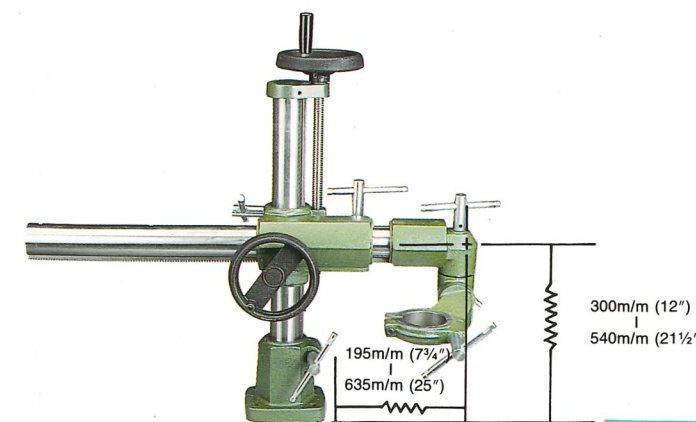
US-01 (Small)

N.W.: 20kgs
G.W.: 20kgs
packing Size: 60×60×30cm



US-02 (Medium)

N.W.: 20kgs
G.W.: 20kgs
Packing Size:
260×210×760m/m



US-03 (Large)

N.W.: 35kgs
G.W.: 35kgs
Packing Size:
292×330×762m/m