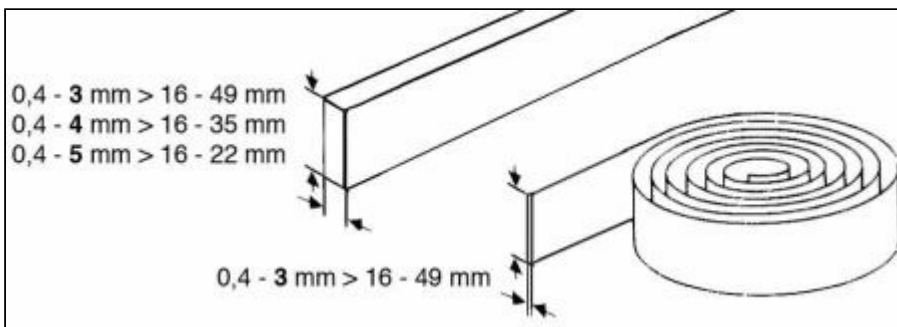
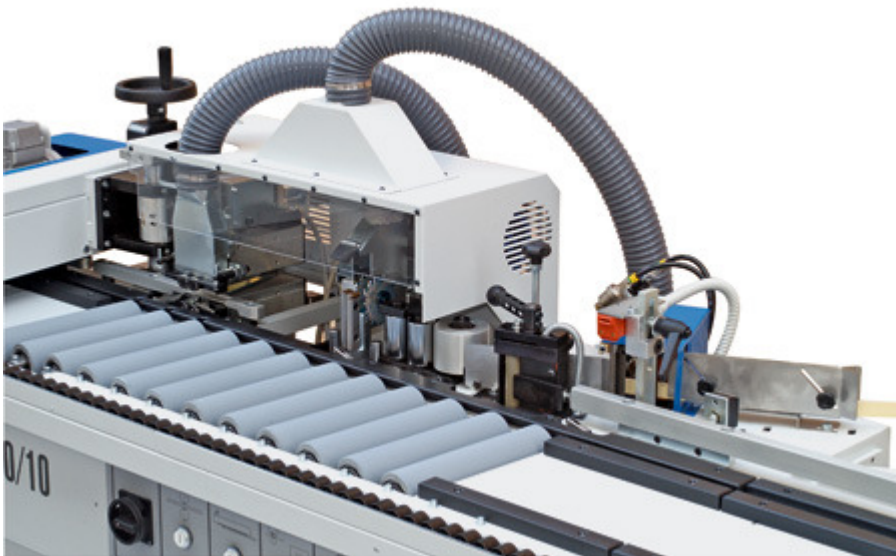
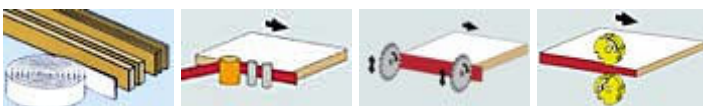


Automatic Edgebanding Machines with glue pot



Equipment:



- Applies edge thicknesses approx. up to 3 mm in coils and 5 mm in strips

- AUTOMATIC BELT FEEDER for workpiece
- AUTOMATIC FRONT/REAR end trimmer unit with circular saw blades
- AUTOMATIC FLUSH TRIMMING UNIT with TCT cutters
- GLUE POT with glue spreader roller unit
- MICROPROCESSOR to control the melting glue temperature

Technical data:

Workpiece thickness	mm	10 - 45
Coiled edges thickness capacity	mm	0,4 - 3
Feed speed	m/min.	7
Dust extraction hoods (3)	Ø mm	60
Flush trimmers speed	RPM	12.000
End trimming unit speed	RPM	9.000
TCT trimming cutters	Ø mm	75
TCT end trimming blades	Ø mm	80
Net weight	kg	405

