

Technical data

	EASY-MASTER 7018	
Machine dimensions		
Weight (kg)	4300	4300
Drives, basic machine		
Max. displacement speed X-axis (m/min) (ft./min)	70	229.66
Max. displacement speed Y-axis (m/min) (ft./min)	70	229.66
Max. displacement speed Z-axis (m/min) (ft./min)	20	65.62
Motor power, cutter unit type 7939 (kW) (S6) with HSK 63F (air cooled)	6.0	6.0
Rotational speed, cutter unit, type 7939 (min ⁻¹)	1000–18000	1000–18000
Motor power, cutter unit, type 7930 (kW) (S6) (optional) (water-cooled)	6.0	6.0
Rotational speed, cutter unit, type 7930 (min ⁻¹)	1000–18000	1000–18000
Motor power, cutter unit, type 7933 (kW) (S6) (water-cooled) (2-stage) (optional)	11.0	11.0
Rotational speed, cutter unit, type 7933 (min ⁻¹)	1000–24000	1000–24000
Motor power, drilling unit, type 7979 (kW)	1.7	1.7
Rotational speed, drilling unit, type 7979 (min ⁻¹)	1000–6500	1000–6500
Electrical system		
Connection voltage (Volts)	3 x 400	3 x 400
Mains frequency (Hz)	50/60	50/60
Power (depending on equipment) (kW)	18 – 21	18 – 21
Compressed air		
Operating pressure (bars)	6.0	6.0
Permissible limit pressure (bars)	8.0	8.0
Compressed air requirement (l/min)	300	300
Dust extraction		
Dust extraction rate (m ³ /h)	5300	5300
Static vacuum (Pa)	2500–3000	2500–3000
Connector dia. (mm) (inch.)	200	7.87
Dust extraction rate at connector (m/sec)	30	30
Vacuum pumps for machining field		
Vacuum pump (m ³ /h)	100	100
Vacuum pump (m ³ /h) (optional)	140	140

The technical data specified is intended for reference only. HOLZ-HER woodworking machines are subject to constant development and are therefore subject to modification without prior notice. The illustrations are therefore not binding. Some of the machines shown also contain special equipment not included as a standard feature. For clarity, some of the machines are shown without protective hood.

Printed on: 23. may 2008
First edition: 19. may 2008

All product brochures
can be downloaded
from www.holzher.de

Your authorised HOLZ-HER Special Machine Dealer

REICH
Spezialmaschinen GmbH
D-72608 Nürtingen

Tel.: +49 (0) 70 22 702-0
Fax: +49 (0) 70 22 702-101
www.holzher.de

HOLZ-HER
Spezialmaschinen

RSM 2777/2 0508 6 – UK – Printed in Germany / Imprimé en Allemagne

CNC machining centres

EASY-MASTER

CNC production can be so easy



Your partner for productivity and precision

HOLZ-HER
Spezialmaschinen

Efficiency, performance, precision

The EASY-MASTER from HOLZ-HER makes it easier than ever to decide in favour of efficient CNC technology. The EASY-MASTER offers rational machining and a high level of flexibility especially for the manufacture of carcass parts.

- Unbeatable price/benefit ratio.
- One of the finest examples of high-tech – ground and hardened prismatic guides for high production precision even in continuous use.
- Practical equipment – welded machine frame for high stability under heavy loads, machining head with comprehensive equipment.
- Exemplary, ergonomic operation – for example, simple suction pad positioning, manual control unit, pneumatically driven charging aids for raising and lowering work (optional).

Illustrations may contain optional features.



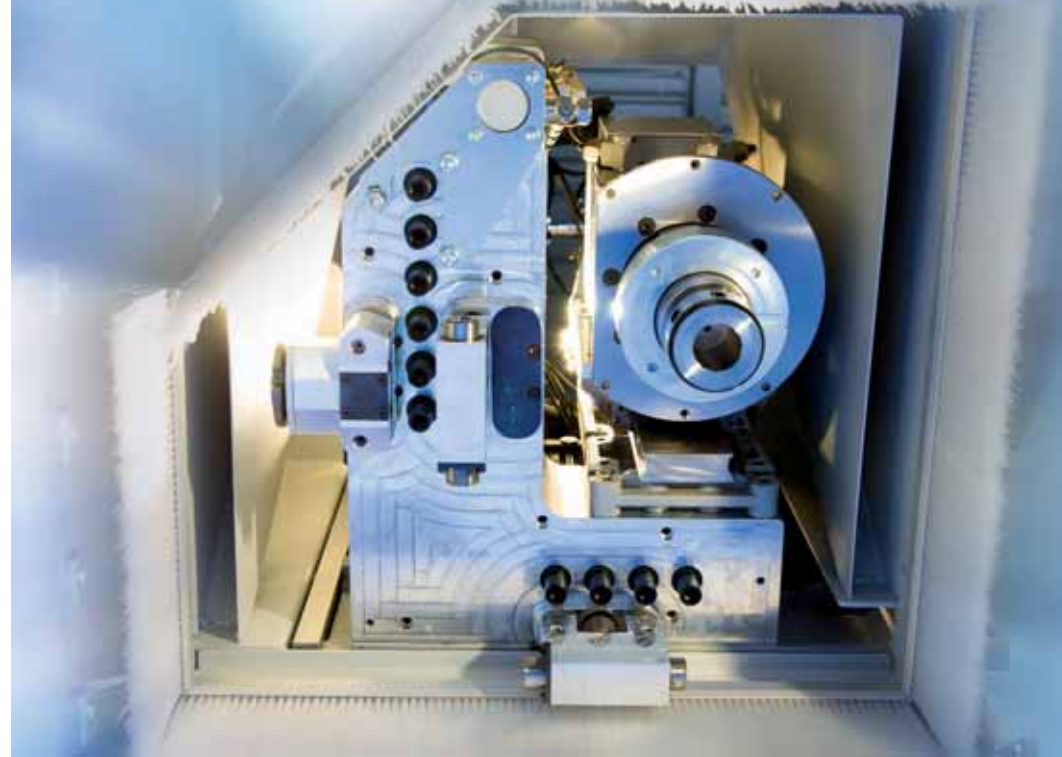
Linear guides for maximum precision

- High-precision linear guides of reference quality allow all axes to be moved easily.
- Designed for extremely high precision and exceptionally long service life.
- Dust protected sliding shoes running in recirculating ball bearings ensure particularly quiet operation.

Consoles and vacuum suction pads make operation easy

- The consoles run on ground and hardened linear guides in the X-direction making them extremely easy to move.
- Measuring tapes in X-direction for quick and rational console positioning.
- Consoles actuated pneumatically, making them easy to release, adjust and clamp.
- Two suction pads per console without hoses.
- Easy-to-read scales on cross members for simple suction pad positioning.
- Two stop fields – can be charged individually: Pneumatically lowering stops, fastened to consoles (optionally at front or rear). Optional: Second row of stops.

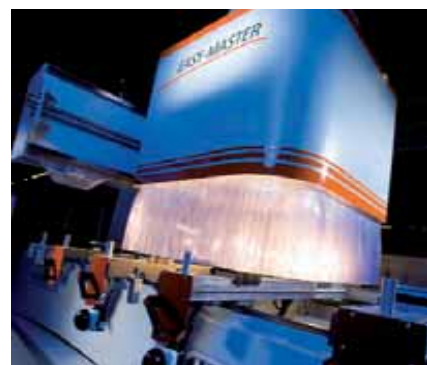




THE MACHINING HEAD

Equipped for all requirements

- Air-cooled cutter unit with power of 6 kW, 1000 – 18,000 min⁻¹ (optional 11 kW, 1000 – 24,000 min⁻¹) with collet chuck HSK 63F.
- Drilling head with L-shape, power 1.7 kW, 1000 – 6800 min⁻¹. Six vertical drills in X-direction, 4 drills in Y-direction; all spindles can be called individually.
- Two horizontal drills each in X and Y-directions.
- Second double horizontal drill spindle in X-direction (optional).
- Groove saw in X-direction (optional), max. saw blade diameter 125 mm.
- High machining head feed rate for maximum productivity.
X = 70 m/min, Y = 70 m/min, Z = 20 m/min.
- Four stage height adjustment for hood for optimum evacuation.
- Changeover units can be used with stationary adapter and two-stage cutter unit (optional).



Control – clear and absolutely convenient

The HOLZ-HER machine control system is an integral part of the machine's design. The equipment package includes the CAMPUS Single basic package. This high performance software provides the prerequisites for effective machining and convenient operation.

- 15"-TFT monitor or 17" monitor (optional)
- Complete graphic user surface
- Barcode interface
- Manual control unit
- Versatile import possibilities

The open architecture of the machine software allows uncomplicated connection to all branch programs, design and CAD/CAM solutions.



Productivity through digital workflow

HOLZ-HER products are unbeatable when combined. The digital workflow between the saws, edgebanders and CNC machining centres allows efficient production. Flexible "manufacturing cells" and "lean manufacturing" are future-proof methods. In conjunction with the HHPDE (HOLZ-HER process data acquisition) software, time-based and computer monitoring and reporting of machine data within the network is also possible.





Central lubrication for reliability

Lubrication is accomplished over central lubrication bars. This supports the high precision of movement and ensures long component service life. Manual or automatic central lubrication (both optional) also minimises maintenance (Fig. at left shows manual central lubrication).



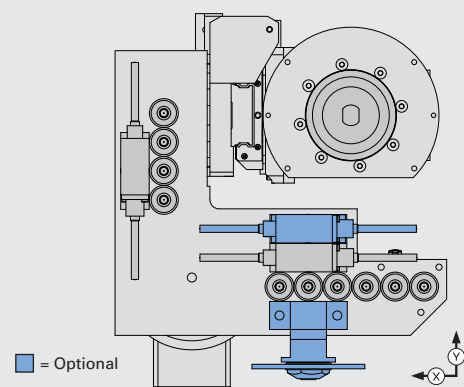
Short setup times

The tool changer moving along with the moving stands with 6, 12 or 18 tool spaces equips the main spindle within seconds for high productivity (optional).

Safety and Productivity

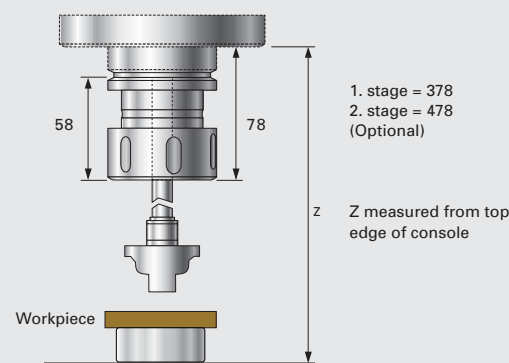
- The integrated light grid guarantees maximum safety during all operations.
- Single field foot mat (optional),
- 3-field safety foot mat (optional) to increase performance by allowing pendular machining for maximum efficiency.

Machining head



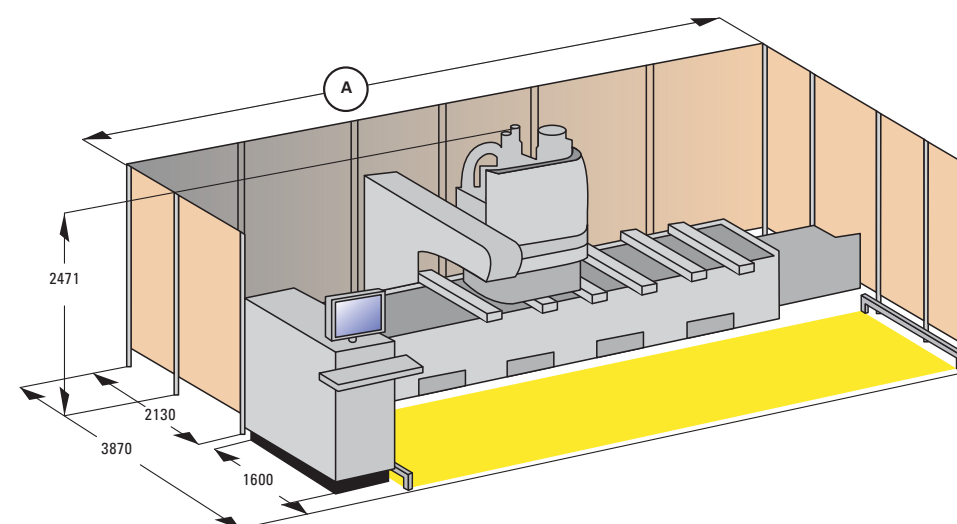
- The dimensions of the Y-axis in combination with the compact machining head allow large displacement travels. Large workpieces can be placed very easily.

Z-axis



- The two-stage displacement travel in the Z-direction (optional), with its maximum displacement, permits machining with high tools or angle units without any problem, even in the case of thick workpieces.

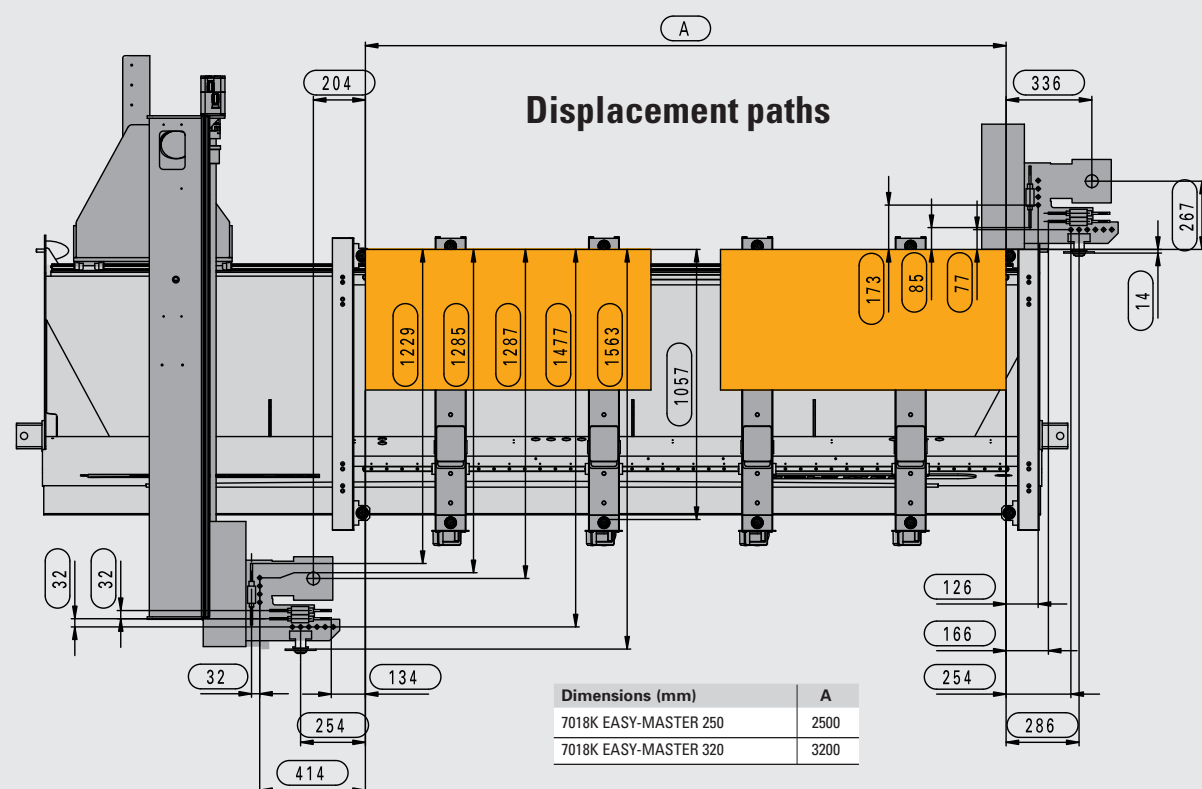
Switch cabinet on left-hand side of machine



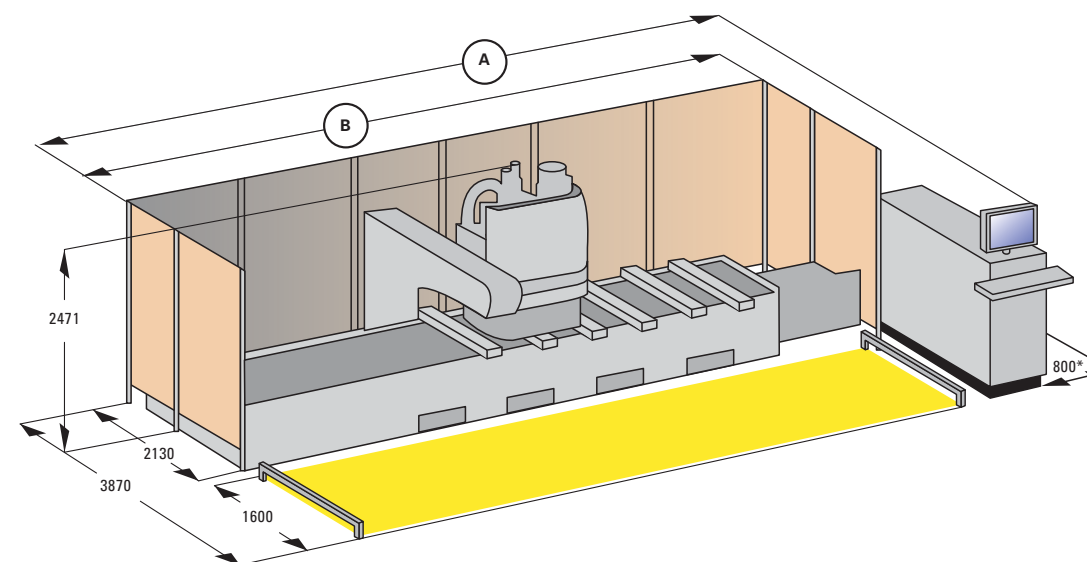
Dimensions (mm)	A
7018K EASY-MASTER 250	5438
7018K EASY-MASTER 320	6138

■ = Light barrier field

Displacement paths



Switch cabinet on right-hand side of machine



Dimensions (mm)	A	B
7018 EASY-MASTER 250	7190	5864
7018 EASY-MASTER 320	7890	6564

■ = Light barrier field
* = Door opened