

Leading 5-Axis Technology for Solid Wood Machining

MULTIREX 7125 | 7225



PRODUCTIVITY AND PRECISION



Window and Door Production with CNC Technology

CNC machining centers are becoming ever more efficient with the use of intelligent software combined with proven technology. One-piece complete production is now the measure of all things. All parts must be produced to the highest quality standards and with all conceivable processes in a single pass. The concept of “more product capability” opens new horizons. In addition, CNC machining also ensures the resurrection of traditional woodworking joints. Where earlier manual methods involved high-cost processes and large tolerances, these days it's only a matter of a few clicks of the mouse and complex joints are created to the highest levels of precision. In this way, mortised frame doors and swallow-tailed connections are being rediscovered.

Powerful High-End CNC for Machining Solid Materials

- **Well-designed workpiece clamping**

Variable system of matched suction cups and workpiece clamps for surface machining including straight and curved frame parts.

- **Heavy-thought-out design**

Built to withstand heavy loads – only the highest quality components used.

- **Highest dynamics**

in the axis motions for perfect work results.

- **Intelligent control technology**

Designed to cope with real challenges in its 5-axis technology.



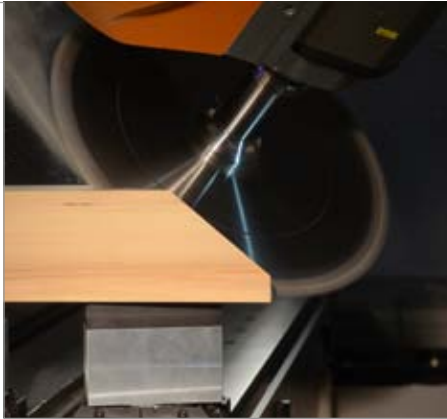


Intelligent Solid Wood Machining

The MULTIREX 7125 and MULTIREX 7225 offer almost unlimited possibilities in 5-axis machining. Constructed for the most highly demanding work, the solid and well-thought-out construction of both machines represents the latest in modern and application-friendly industrial design. With its "flex", "automatic" and "windows" models the MULTIREX Series always offers the perfect power solution for your range of applications.

However there are certain differences between the MULTIREX 5-axis centers particularly in terms of machining dimensions. The console table on the MULTIREX 7125 offers machining lengths in the X-direction up to 5,440 mm and, on the MULTIREX 7225 model, even for lengths up to 7,220 mm. In this way, machining of longer components for staircases and conservatories, etc. is enabled without any problem. Even large door components can be machined in a highly efficient and trouble-free manner in pendular operation. With 1,400 mm or 1,600 mm in the Y-direction as well as a Z-stroke of 565 mm, both of these machining centers are perfectly equipped for individual and highly variable machining operations.

The MULTIREX 7125 can already perfectly process workpieces up to 210 mm in height from the top of the suction cups, whilst the larger MULTIREX 7225 can handle even bigger workpieces of 300 mm in height. The solid console tables included as standard features are highly flexible and equipped with charging aids for heavy parts for maximum ease of operation. The automatic version of the MULTIREX with controlled X-Move table or the windows version with VarioDrive Table with high precision, servo-controlled consoles and suction cups provide even more convenience and system reliability.



Dynamics, power and performance

The powerful efficiency of the MULTIREX CNC machining centers is impressive. In the preconfigured "flex", "automatic" and "windows" versions, the MULTIREX models guarantee easy machining of solid wood and special materials. The comprehensive package of accessories for the MULTIREX models perfectly conceived for your specific application situation. Further equipment options allow adaptation to all types of applications.

- Precision direct drives with exceptionally high dynamic acceleration values for extremely high productivity.
- Dynamic operation combined with heavy duty, torsionally rigid design guarantee optimum work results.
- User-friendly software as complete package with CAMPUS machine and office license.



Intelligent energy management for HOLZ-HER CNC machining centers.



Illustrations may contain optional features.

Production in the 5th Dimension

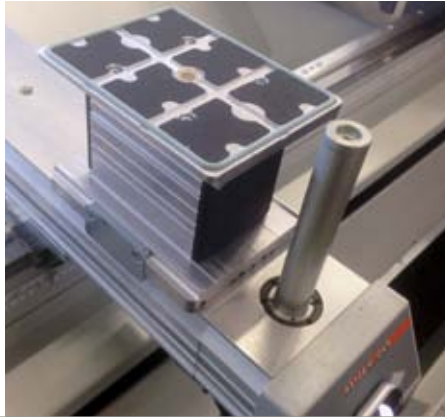
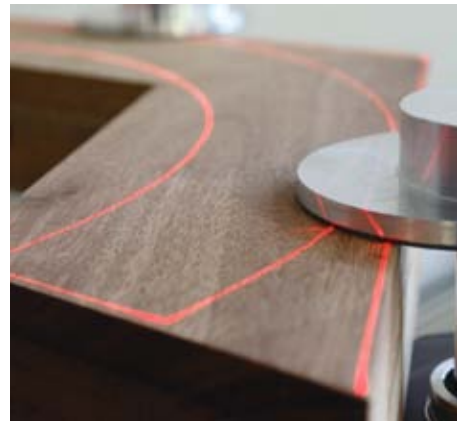
The gimbal-mounted machining head with 12 kW or 17 kW spindle ensures precise guidance for complex curled or curved parts such as stair railings or furniture or model shapes with complicated design. The compact, powerful and fully interpolating machining head operates at speeds up to 24,000 rpm; its ceramic bearings and liquid cooling allow it to work under extremely high loads. The special feature of the 17 kW spindle (S6) is the PRO-TORQUE technology, which automatically locks the A- and C-axes mechanically, allowing extremely high torque at the spindle. Optimum evacuation is achieved by the evacuation hood with 8 adjustment positions and an optional chip conveyor.

- 5-axis head, A- and C-axes can be rotated in an interpolating manner. A-axis: +/- 180°, C axis +/- 360°.
- 12-kW Power spindle standard on "flex" and "automatic" versions.
- 17-kW PRO-TORQUE power spindle standard on "windows" version (optional on "flex" and "automatic" models).
- HSK 63 F tool holder with device interface.
- Z-stroke 565 mm, workpiece height 210 | 300 mm.



Unique 17 kW PRO-TORQUE spindle for heavy work in solid wood. Mechanical braking in any position for the A- and C-axes, for the highest rigidity and perfect results under high load.

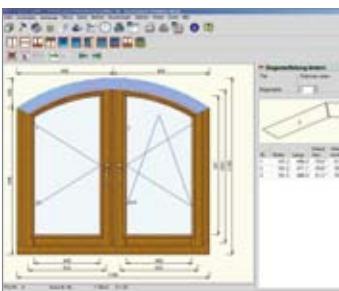




Cleverly-Designed Mounting Aids and Stop Systems



Each console has a built-in stop at front and rear. The stops are supported in eccentric guide bushings and ensure permanently precise zero points. Aluminum consoles are supported on ground linear guides and offer a high degree of flexibility and process reliability with their internal vacuum distribution. A wide variety of clamping and fixing systems as well as heavy duty suction cups designed especially for solid wood, provide possibilities for 5-axis machining in high-end quality. The MULTIREX machining centers are equipped with charging aids for easy and gentle workpiece-related charging and discharging of the machine table. On the VarioDrive table the height can be adjusted allowing the fully automatic frame clamps to be run over easily.

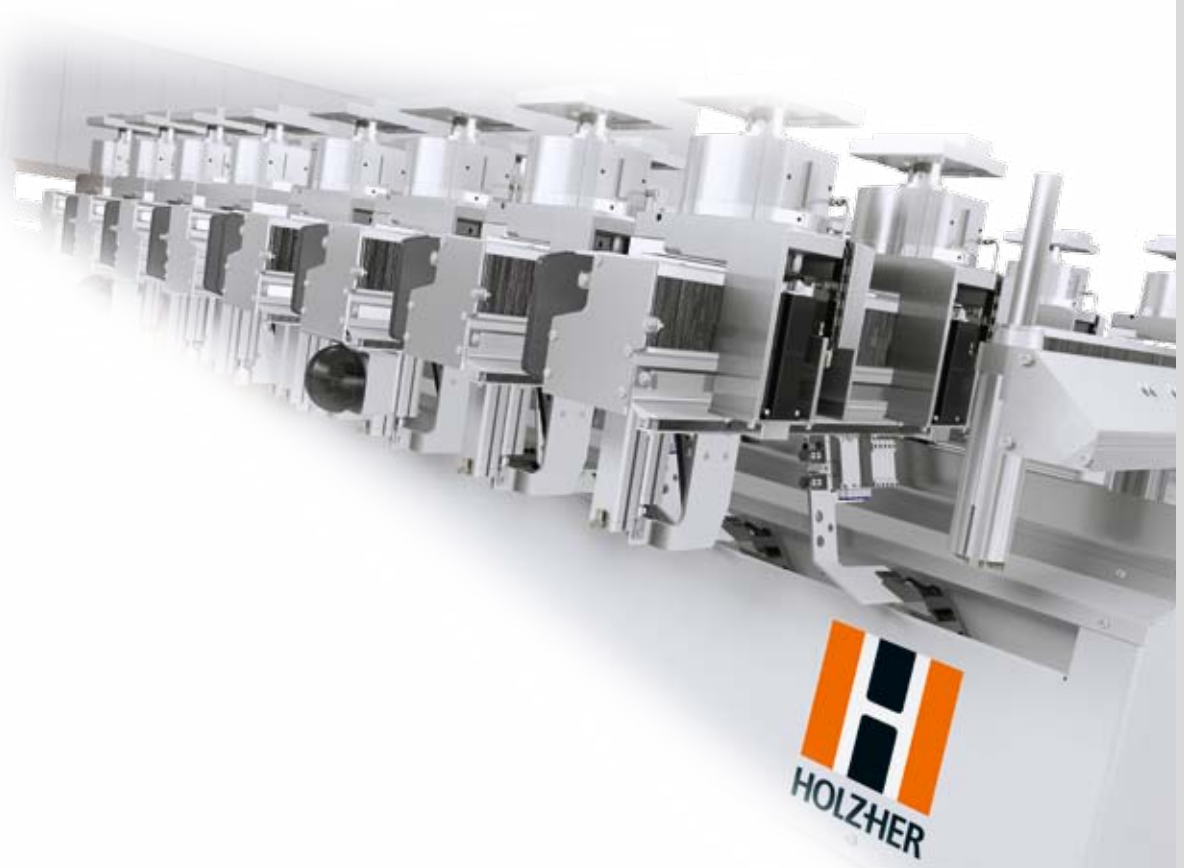
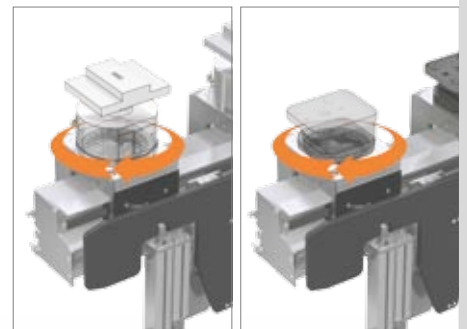


The perfected CAMPUS/NC-HOPS software package determines the optimal setting which is indicated by a laser pointer. When machining complex parts, the contour can be followed with the laser beam. As an option there is a cover laser system available for simultaneous display of all suction cups or clamping elements and for the illustration of complete workpiece contours.

MULTIREX windows with VarioDrive – the Fully Automatic Console Table

Performing a wide variety of processing runs of high quality requires precise and secure positioning of the workpieces. The MULTIREX windows with VarioDrive is equipped for this purpose with a high precision, servo-controlled, automatic console table. Bayonet connections allow change-over from suction cups to fully automatic frame clamps within seconds.

The rapid, automatic positioning of the individual consoles and suction cup mounts offers high levels of operational convenience both in bar machining and in the processing of panel materials. Even complex-shaped workpieces such as curved parts are easy to fix thanks to the fully automated, pneumatic frame clamping elements. A CNC-controlled re-clamping process of straight and curved frame parts can be performed. Pneumatically controlled charging aids make it easy to handle even heavy workpieces.



TECHNICAL DATA

Machine	FLEX	AUTOMATIC	WINDOWS
Edge routing in X-direction			
MULTIREX 7125	3,620 4,520 5,420 mm**	4,520 5,420 mm**	x
MULTIREX 7225	3,620 4,520 5,420 6,320 7,220 mm**	4,520 5,420 6,320 7,220 mm**	4,520 5,420 6,320 7,220 mm**
Edge routing in Y-direction			
MULTIREX 7125	1,400 mm**	1,400 mm**	x
MULTIREX 7225	1,600 mm**	1,600 mm**	1,600 mm**
Machining height/ travel in Z-direction			
MULTIREX 7125	210 mm 565 mm	210 mm 565 mm	x
MULTIREX 7225	300 mm 565 mm	300 mm 565 mm	300 mm 565 mm
Vector speed			
MULTIREX 7125	131 m/min.	131 m/min.	x
MULTIREX 7225	142 m/min.	142 m/min.	142 m/min.
Cutter unit	12 kW, liquid-cooled, 1,000 – 24,000 rpm	12 kW, liquid-cooled, 1,000 – 24,000 rpm	17 kW, liquid-cooled, PRO-TORQUE Technology
	17 kW, liquid-cooled, PRO-TORQUE Technology	17 kW, liquid-cooled, PRO-TORQUE Technology	x
Drilling head	16 Spindles (10 V 6 H) Sawing unit in X-direction	16 Spindles (10 V 6 H) Sawing unit in X-direction	16 Spindles (10 V 6 H) Sawing unit in X-direction
	24 Spindles (18 V 6 H) Sawing unit in X-direction	24 Spindles (18 V 6 H) Sawing unit in X-direction	24 Spindles (18 V 6 H) Sawing unit in X-direction
Console table	6 Consoles, 16 stops, 4 charging aids, laser pointer	x	x
X-Move table	x	8 Consoles, with controlled travel in X-direction 20 Stops, 6 charging aids	x
VarioDrive table	x	8 CNC-controlled stops with 24 auto- matically positioned suction cups, 6 charging aids	8 CNC-controlled stops with 24 auto- matically positioned suction cups, 8 charging aids
Vacuum pump	140 m³/h	140 m³/h	140 m³/h
	250 m³/h	250 m³/h	250 m³/h
Disk tool changer	Traveling disk tool changer for 12 tools	Traveling disk tool changer for 12 tools	Traveling disk tool changer for 12 tools
	Traveling disk tool changer for 18 tools	Traveling disk tool changer for 18 tools	Traveling disk tool changer for 18 tools
Pick-up tool changer	Single pickup changer (dia. 350 mm)	Single pickup changer (dia. 350 mm)	Single pickup changer (dia. 350 mm)
	Pick-up changer for 14 tools, Pick-up changer for 16 tools	Pick-up changer for 14 tools, Pick-up changer for 16 tools	Pick-up changer for 16 tools
Shuttle tool changer	x	x	40 to 60 position shuttle tool changer
Safety equipment	3-field foot mat (pendular machining)	3-field foot mat (pendular machining)	3-field foot mat (pendular machining)
Software	2 x CAMPUS license incl. HOPS, aCADemy, CabinetControl Base and 3D cutting simulation	2 x CAMPUS license incl. HOPS, aCADemy, CabinetControl Base and 3D cutting simulation	2 x CAMPUS license incl. HOPS, aCADemy, CabinetControl Base and 3D cutting simulation

Optional
 Standard
x Not possible
** minus cutter radius

UK – HOLZ-HER 3346 45 – Printed in Germany/Imprimé en Allemagne
Printed on: 31.10.2014 – First edition: 04.06.2014

Your authorized HOLZ-HER dealer



HOLZ-HER GmbH
Plochinger Straße 65
72622 Nürtingen
Germany

T +49 (0) 70 22 702-0
kontakt@holzher.com
www.holzher.com

A member of the WEINIG Group

The technical data specified is intended for reference only. HOLZ-HER woodworking machines are subject to constant development and are therefore subject to modification without prior notice. The illustrations are therefore not binding. Some of the machines shown also contain special equipment not included as a standard feature. For clarity, some of the machines are shown without protective hood. Picture credits: © iStock: Christian J. Stewart Photography, SafakOguz