

Angled cut unit



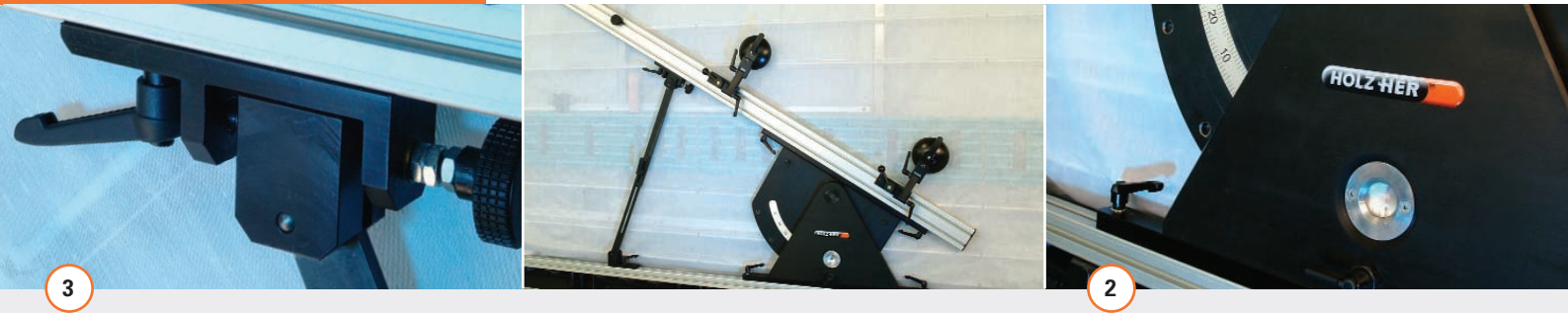
Simple handling, precise angled cutting

When it comes to the effective and economically efficient cutting of materials in panel form, the vertical HOLZ-HER panel saws PK 1255 and 1225/1230 are perfect. With the mobile angled cut unit cutting at angles of up to 49° is simple using the two panel saws. Here the angled cut unit is clamped onto the saw and the number of degrees selected. The panel is positioned and fixed in place by two movable vacuum pads. This is followed by vertical or horizontal cutting. Simple changeover allows the angled cut unit to be set up to the right and left of the cutting location.

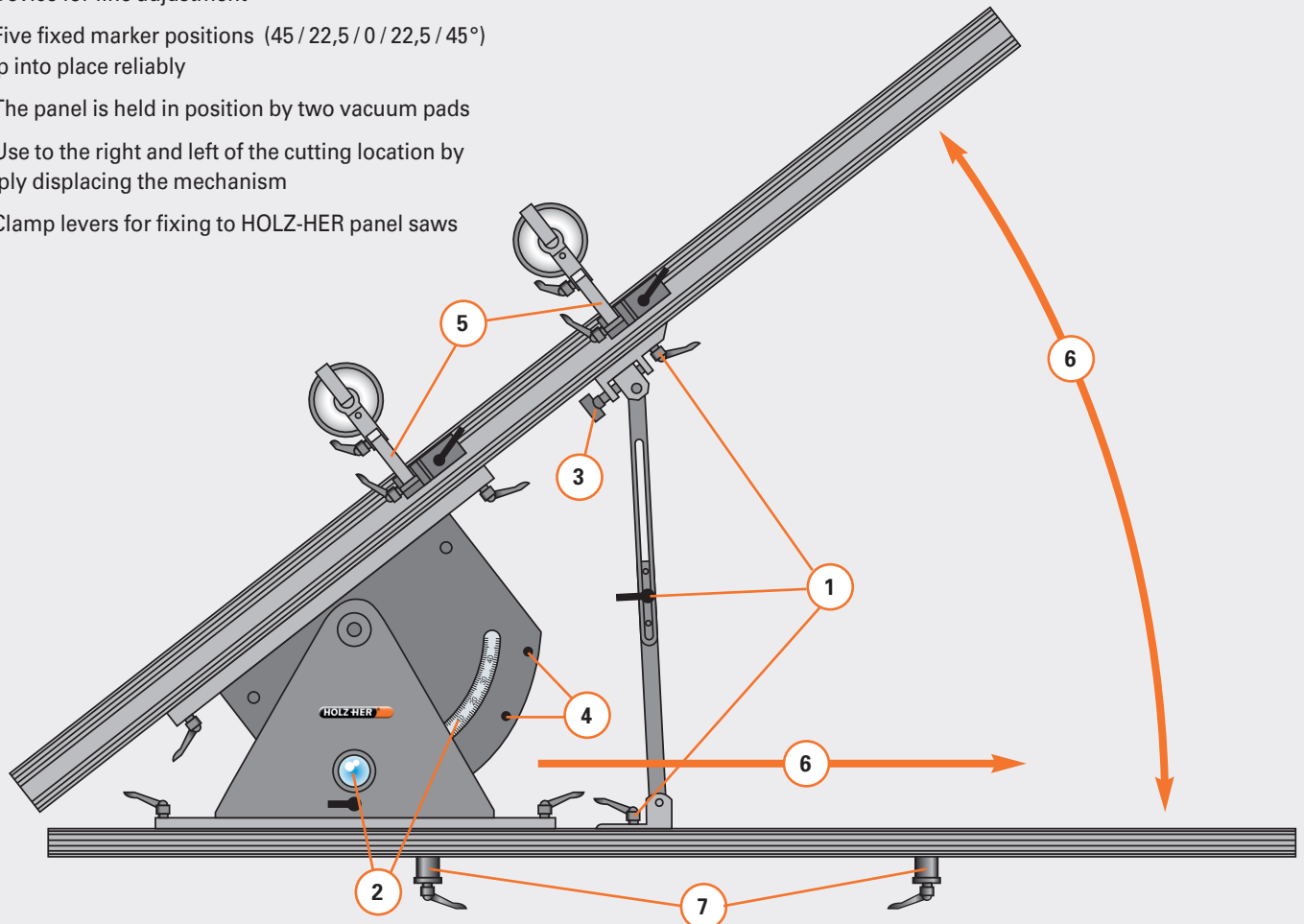
Technische Daten

Max. adjust. number of degrees	+/- 49°
Five fixed positions	45 / 22,5 / 0 / 22,5 / 45°
Weight	26 kg

All information at a glance



- The angled cut unit is mounted in next to no time
- (1) Manual adjustment via three clamping levers
- (2) The graduator with magnifying function provides exact information about the angle
- (3) Device for fine adjustment
- (4) Five fixed marker positions (45 / 22,5 / 0 / 22,5 / 45°) snap into place reliably
- (5) The panel is held in position by two vacuum pads
- (6) Use to the right and left of the cutting location by simply displacing the mechanism
- (7) Clamp levers for fixing to HOLZ-HER panel saws



The technical data are given only as guidelines. Subject to alterations in terms of design and equipment as HOLZ-HER machines constantly undergo further development. Illustrations are not binding.

REICH
Spezialmaschinen GmbH
Ploching Str. 65
D-72622 Nürtingen
Tel. +49 7022 702-0
Fax. +49 7022 702-101
www.holzher.de

Your partner for productivity and precision

HOLZ-HER[®]
Special Machines