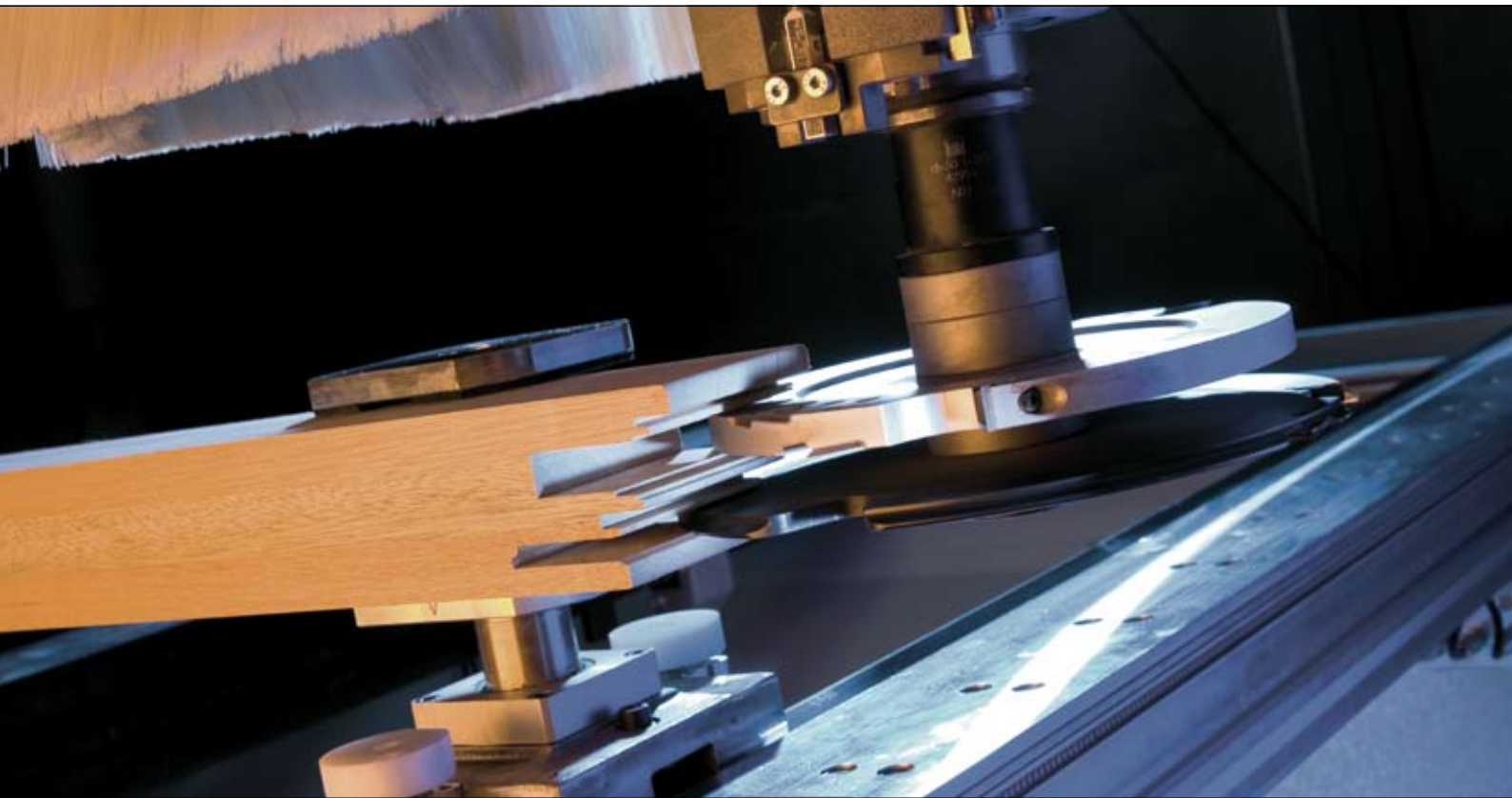


Processing centres B700 powerProfiler



More success in window construction

Home owners, builders and renovators today attach enormous importance to the individual, visually appealing and functional design of their windows, doors and facades. They demand high quality at an affordable price. Wide-ranging customer wishes are also driven by a continuous process of change. The resulting demands made on manufacturers are stringent and highly complex in nature. We know and understand what it is you require and offer flexible, economical production solutions to help you achieve sustainable improvement of your international competitive standing. The best example of how we can help: With our B700 powerProfiler processing centres





Exchangeable drilling unit

Several holes in a single work process for more efficient drilling. The unit can be swivelled using the C axis for drilling operations at any optional angle.



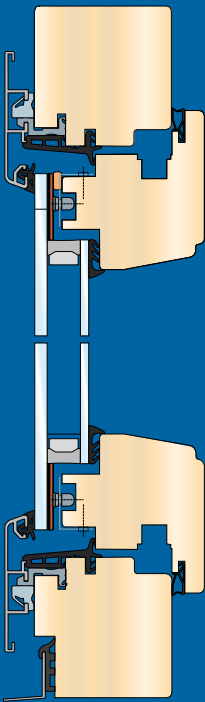
So many factors speak in favour of HOMAG

- **Comprehensive expertise:** for wide-ranging structural elements in wood, wood and metal and other material combinations
- **Engineering excellence:** efficient, economical machines, plants and systems catering to every size of enterprise

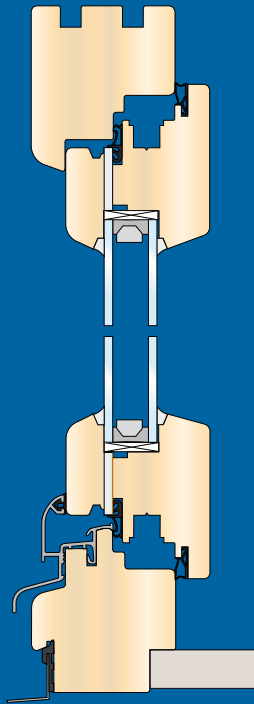
- **Innovative complete solutions:** inclusive of software for flexible, highly productive manufacturing of bespoke quality products
- **Unique complete service portfolio:** for continuous high availability and outstanding planning security
- **In demand the world over:** through a global presence and country-specific market and sector expertise

B700 powerProfiler – fit for the future. Today

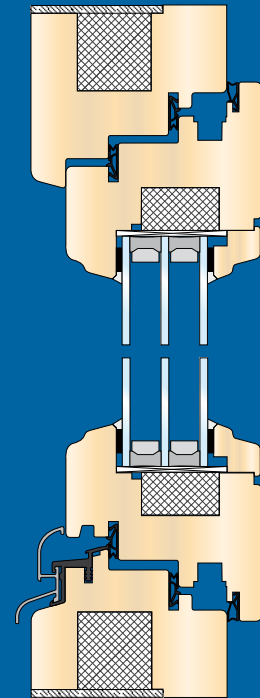
The functional capability of windows and doors is more varied today than ever before. As well as offering visual appeal, modern doors and windows are expected to provide optimum thermal insulation, sound proofing and break-in resistance. No matter what the challenges you face tomorrow and what new developments the market demands – B700 powerProfiler processing centres provide the flexibility it takes to complete every order efficiently and reliability both now and in the future – making this the ultimate secure investment for the long term success of your company.



Alu-Wood window system



Softline window system



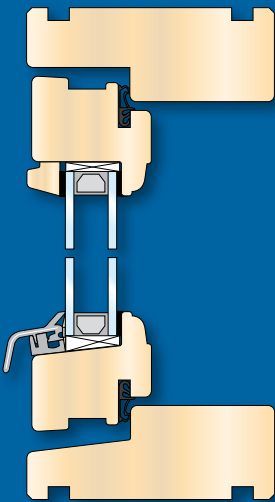
"Passiv House" window system



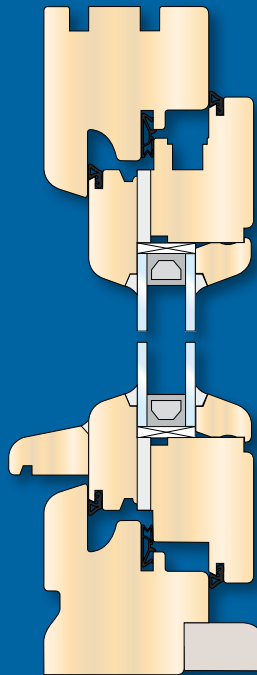
Always the most secure investment

- **In line with your specific needs:** different performance categories to match the required volume output and degree of automation
- **Economical:** for all batch sizes, from large-scale production runs to one-off bespoke items
- **Efficient:** the collation of several work steps offers time and cost benefits

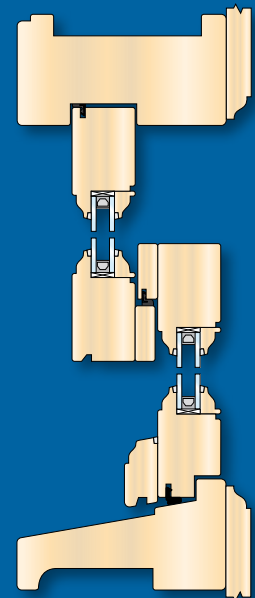
Process integration for
greater economy - 50 %
lower handling costs



Danish window system



Spanish window system



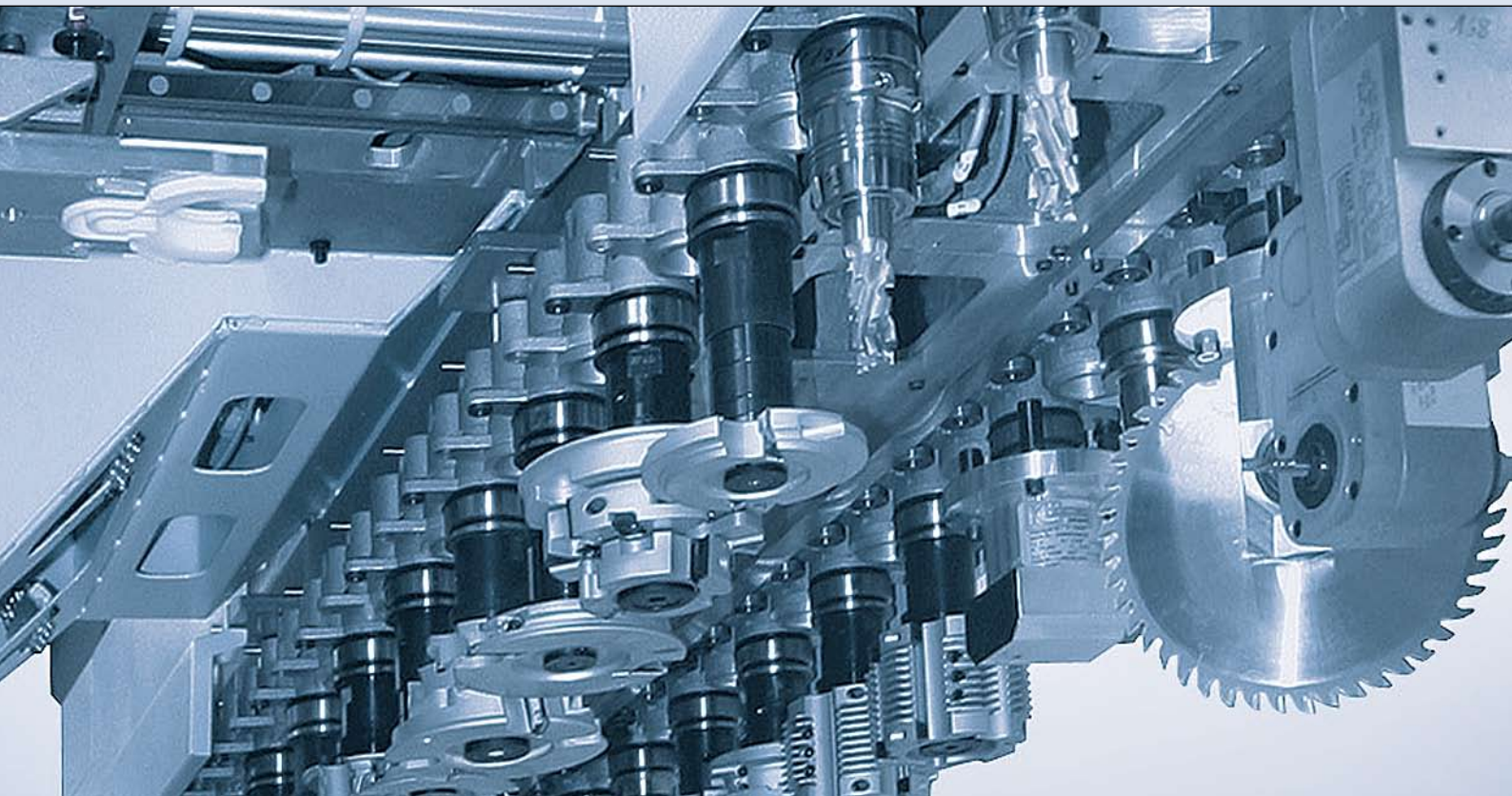
Double-Hung window system

- **Precise:** for wide-ranging different material combinations (such as wood, wood and aluminium, plastic, cork)
- **Efficient:** even when producing highly complex profiles or additional trimming operations for ventilation systems, electronic contacts, building connections etc.

- **Flexible:** due to enormous design variety of windows and door leaves (e.g. rectangular, rounded, inclined, glazing panels, lock and hinge processing)
- **Future proof / crisis proof:** scope for the production of facade elements, conservatories and a range of other products ensures greater independence and improved machine capacity utilization

B700 powerProfiler – more than a match for every requirement

Complete processing of all window and door components, production of arches and front door blanks – all special fields of expertise for the B700 powerProfiler. Using modular unit technology, versatile scope for equipment, two independently operating processing tables and up to three processing units, this high-end production cell sets whole new standards in terms of productivity, flexibility and quality. And equipped with the matching software, this processing centre series exceeds all existing processing limits.



Just five of its wide-ranging benefits

- **Versatility:** one machine to produce windows (straight/rounded), doors, upright and transom constructions
- **Outstanding efficiency:** through parallel processing of up to three workpieces
- **High productivity:** large tool storage capacity (max. 432 tools) for wide-ranging product variants
- **Optimum care plus speed:** through automatic workpiece handling
- **Universal:** trouble-free integration in production lines

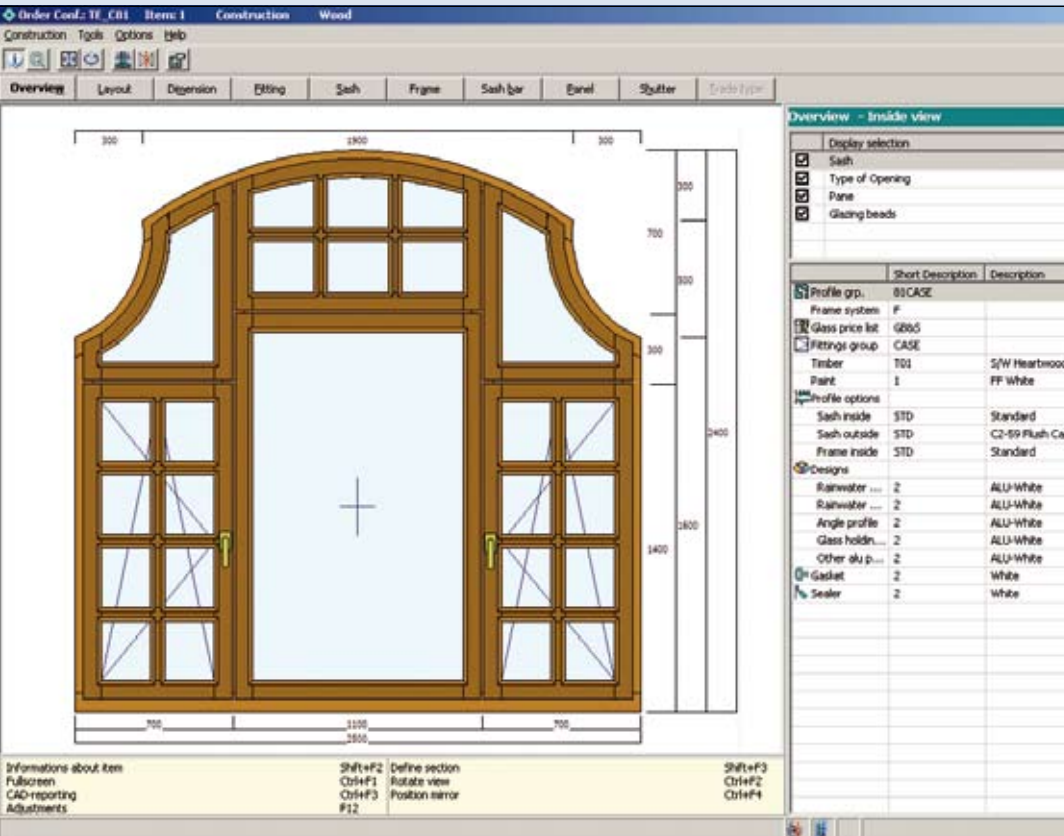


**High-performance software:
Simplifies work processes and
maximizes profit**

In addition to the “hardware” – our processing centres – we also offer matching software solutions. Alongside innovative programs for use across sector-specific boundaries, our range also encompasses product-specific software for window construction.

HOMAG window interface

With its window interface, HOMAG takes care of seamless integration of trade-specific software into the machine environment. From the automatic generation of all processing programs through dynamic machine loading through to the generation of bar code labels: This sophisticated integration offers a wide range of functions for efficient window production.



Highlights

- **Automatic generation:** of all window stave processing programs
- **Optimum machine loading:** due to dynamic position assignment
- **Parallelization of production steps**
- **Paperless component processing:** at the machine by means of the production line control system
- **Inclusive of woodWOP:** the HOMAG Group’s own CNC programming system; ideal for functions such as programming doors or non-standard window components
- **Project support:** by competent HOMAG system experts
- **Wide-ranging interfaces:** to KLAES, 3E, ProLogic, Adulo, DDX etc.

Exciting insights, lucrative outlooks

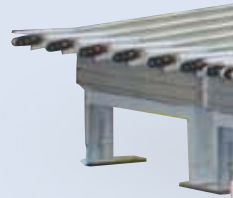


- HOMAG presents ...



Support table as storage buffer:
with integrated plausibility check
of workpieces to prevent faults and
crash situations

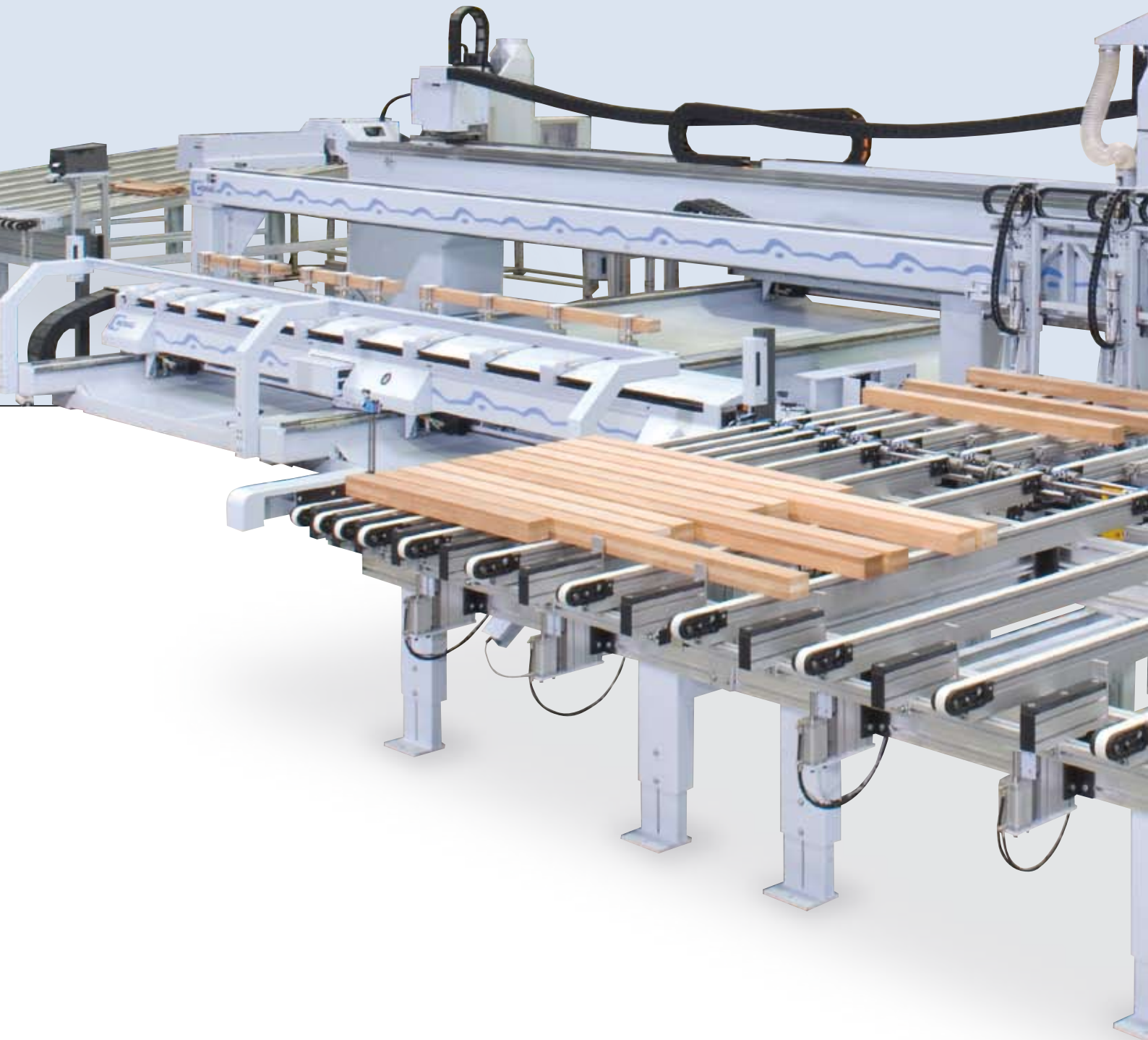
Infeed unit with 10 traversable grippers:
for infeed of up to five workpieces (patent
pending)



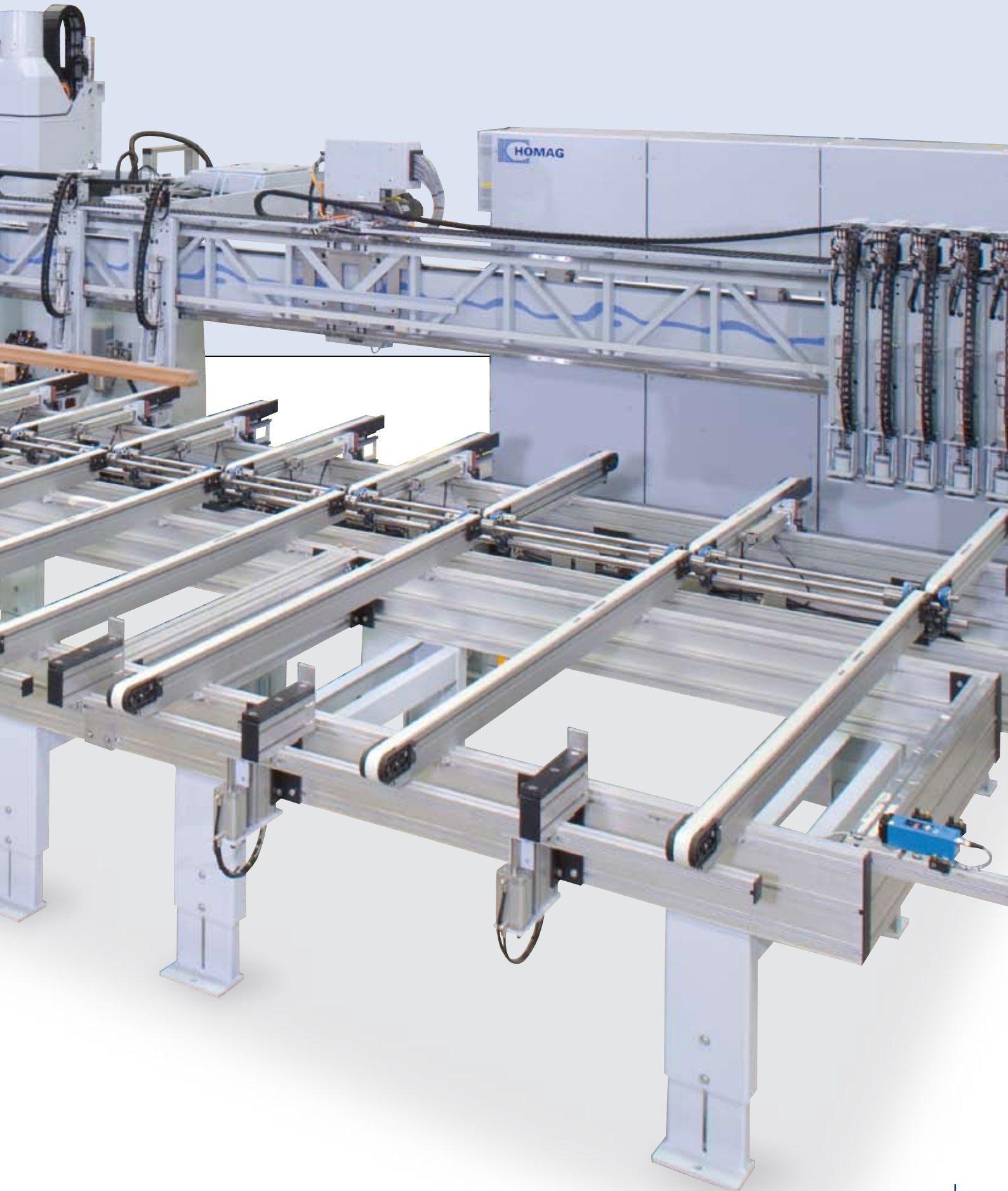
Integrated snipping saw: for
cross-cutting of workpieces during
feeding (patent pending)

**Two longitudinal consoles with 10
platforms each for 3-step and vacuum
clamps:** for clamping up to five workpieces,
shorter set-up times due to multiple
use of tools

**Two independently operating
processing units:** more output due
to simultaneous processing of two
workpieces



Optimum perspectives – with B700 powerProfiler processing centres



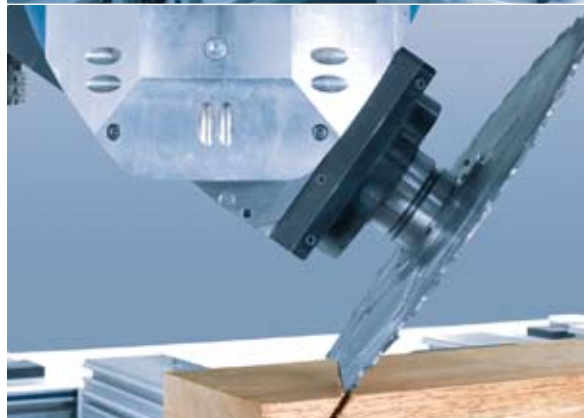
The impressive features of this series are its intelligent technology, its unique details and outstanding performance data. Just a few examples:

- **Seamless workpiece flow:** Infeed and outfeed, each with buffer storage (optional)
- **Up to ten workpieces in a single clamping operation:** on two tables, tool change times are divided over several workpieces
- **Precise 3-step clamp:** with air jet function in the upper clamping plate, no chip impressions caused by reclamping
- **Two working spindles with independent axes:** for simultaneous processing of two workpieces
- **Up to six chain changers:** with a maximum total of 432 tools



Clamping element platforms with automatic positioning: to accommodate highly rigid pneumatic and vacuum clamps for complete processing (including rebating) of staves and front door leaves

Additional transverse consoles: for fixture of additional clamps and suction cups for processing round arched components

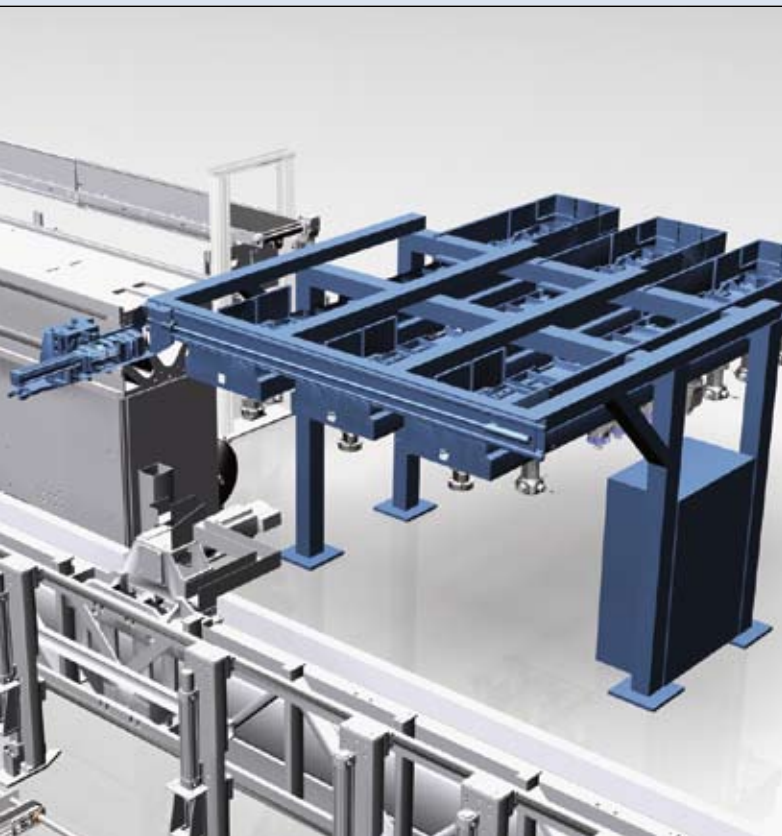


DRIVE5+ five-axis spindle: for additional design scope and to increase flexibility. Ideal for e.g. shift cuts required in conservatory rafters

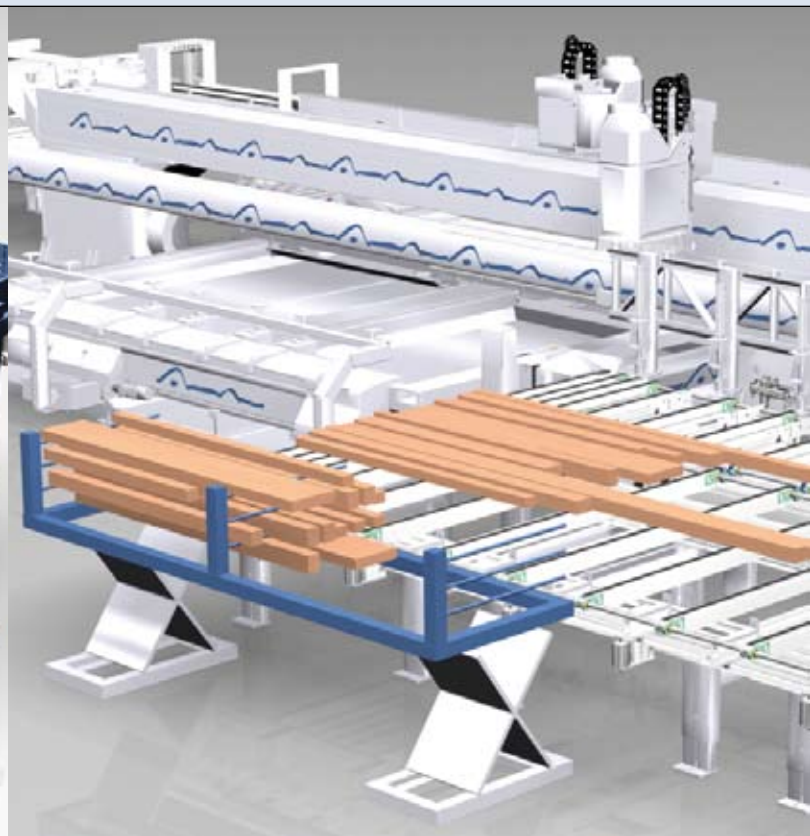
Tool changer: with up to 72 slots each with a transfer gripper for preliminary set-up of the next tool

Ingenious extras for even greater productivity

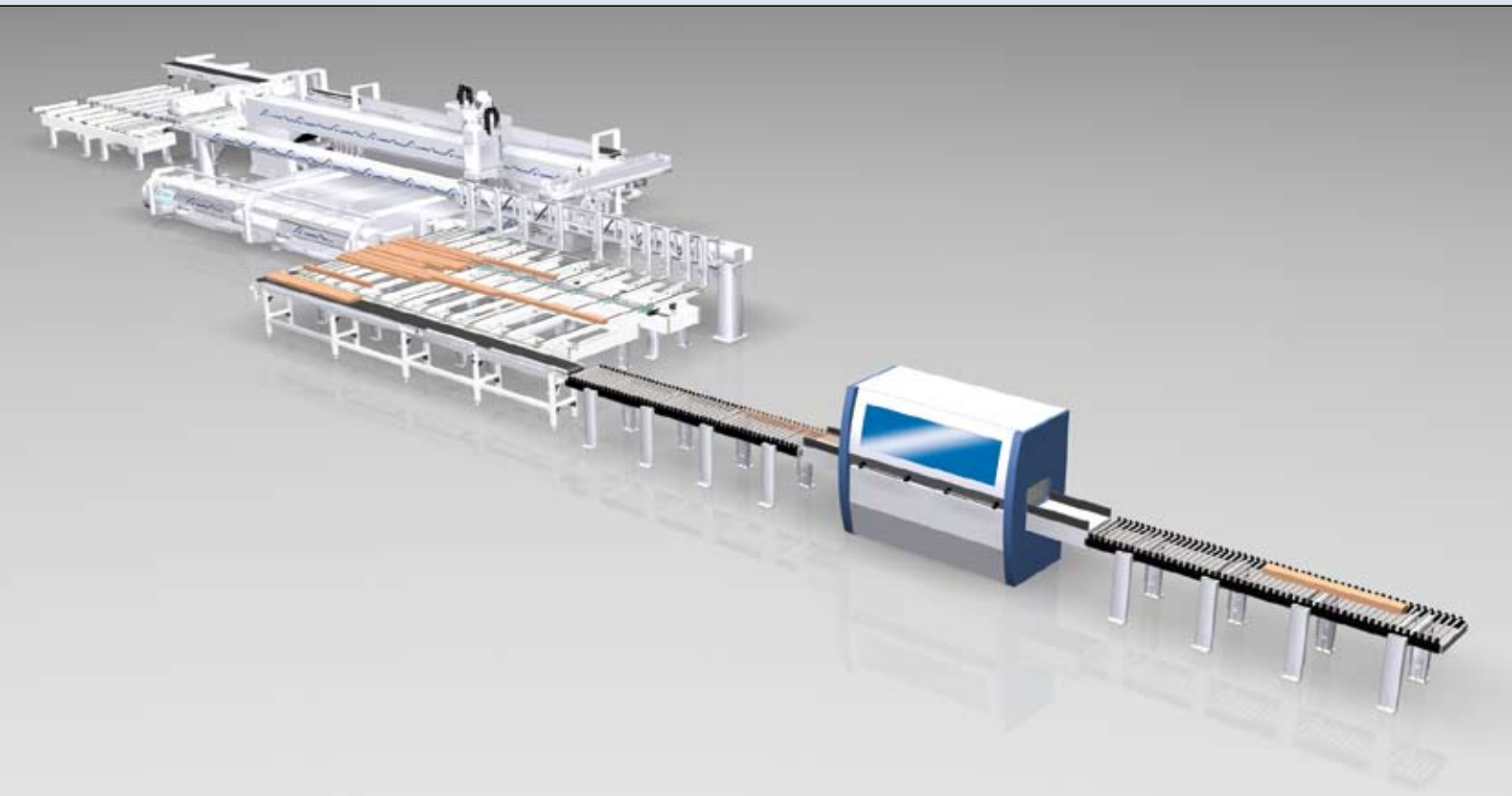
B700 powerProfiler machines are programmed as standard for maximum performance. Despite this, special applications and requirements exist in which a range of optionally available supplementary equipment can achieve further performance increases, extend the existing application spectrum and bring about substantial further reductions in production times.



multiChain tool storage system: with a maximum of three chain changers and space for 216 tools and units: For flexible, efficient production of different window systems



Tray trucks for automatic workpiece infeed: for low-manned production and even more processing cycles without the need for operating personnel



Integration of a planing machine: for reduced handling times

B700 powerProfiler – innovations which pay dividends

Faster, more cost-effective, more successful. These are key objectives not just in the field of structural element production. And because our processing centres will permit you to manufacture top-quality products in record time with minimal cost outlay, they place you streets ahead of the competition – with no need to worry about what the future holds.

Single-sash window 130/130 cm (8 parts)	Current time requirement	Tomorrow with HOMAG BOF 722 powerProfiler	Additional streamlining potential
Cutting	appr. min.	appr. min.	<p>One operator can carry out cutting, planing, and operation of the powerProfiler simultaneously (depending on the degree of automation)</p> <p>By omitting several work steps, you also save on space for machinery which is no longer required</p>
Transport/Handling	appr. min.	appr. min.	
Planing	appr. min.	appr. min.	
Transport/Handling	appr. min.	appr. min.	
Profiling longitudinal/transverse	appr. min.	Appr. 10 min. for the complete range of cutting processes	
Transport/Handling	appr. min.		
Dowel hole drilling	appr. min.		
Transport/Handling	appr. min.		
Handle hole and corner bearing	appr. min.	appr. min.	
Transport/Handling	appr. min.	appr. min.	
Frame assembly	appr. min.	appr. min.	
Transport/Handling	appr. min.	appr. min.	
Rebating	appr. min.	Are already performed on the powerProfiler	
Transport/Handling	appr. min.		
Non-standard trimming operations	appr. min.		
Transport/Handling	appr. min.		
Surface	appr. min.	appr. min.	Efficient single part coating is possible due to single part complete processing
Transport/Handling	appr. min.	appr. min.	
Hardware mounting	appr. min.	appr. min.	Appr. 20 % faster, as all positioning holes and trimming operations already take place on the powerProfiler
Transport/Handling	appr. min.	appr. min.	
Glazing	appr. min.	appr. min.	
Total production time	appr. min.	appr. min.	



Precise recess trimming operations for striking plates and all hardware components guarantee efficient mounting of hardware parts

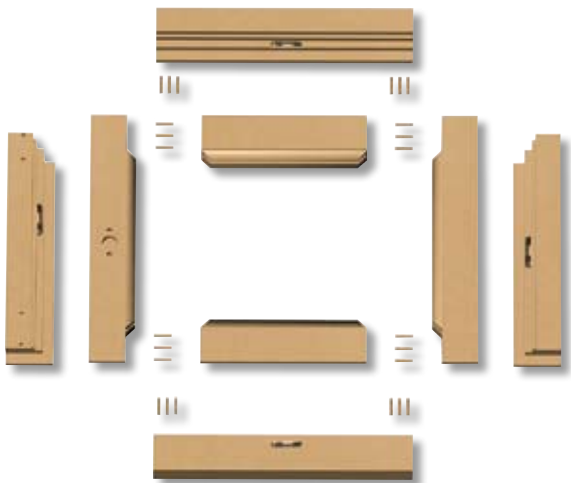
Time is money

Use the table to simply calculate the time benefit for your production. Bottom line: A clear, unmistakable gain for you.

Technical data

Working dimensions		Additional streamlining potential
Max. processing length [mm]	6,000	A lower energy requirement lowers the strain on the environment and increases your yield
Max. processing width [mm]	1,300	
Max. processing height [mm]	150	
Suction output [m³/h]	appr.7,000/appr. -13,000	
Total connected load [kW]	appr. 30-46	

Wide-ranging possibilities	Current time requirement	Tomorrow with HOMAG BOF 722 powerProfiler	Additional streamlining potential
Arched window component	appr. min.	appr. 10 min.	Other bar-shaped wooden components (such as balcony planks) can also be economically processed
Front door leaf processing	appr. min.	appr. 10 min.	
Individual bar processing (e.g. upright / transom constructions)	appr. min.	If required, we can calculate concrete processing times for your products	



Guaranteeing your success: HOMAG Service, customer orientation and expertise

No matter which machine or which system you buy from us – you are investing in productivity and sure success in the long term. This guaranteed not only by our engineering excellence but also by our seamless all-round support package which leaves you free to concentrate on what you do best and keeps your production up and running. The result: enhanced productivity and a sharper competitive edge. The bottom line: You save not only precious time but hard cash too.

Success through perfect planning

- We provide competent advisory support; right from day one
- You find the best possible, most economical solution

Success through custom tailored financing

- We offer a range of attractive financing possibilities
- You leave your capital base intact

Success through a fast start up

- We take care of installation and commissioning
- You can get your production up and running straight away

Success through reliable operation

- We train your staff and bring them up to speed
- You realize your machine's full potential

Success through continuous support

- We provide in-process support and machine optimization
- You have the assurance of absolute production reliability

Success through efficient support

- We ensure a fast, reliable repair and spare parts service
- You avoid unnecessary production standstill

Success on every continent

- We guarantee the worldwide availability of our services
- You are in capable hands – wherever you need us

HOMAG's **lifeline I** service ensures optimum availability and economical production – over the entire life cycle of your machine



lifeline I service

Since it was established in 1960, HOMAG AG has grown to become a company group employing a workforce of over 4,000. This success story is built on the solid foundation of close cooperation with our customers in the development of new products, culminating in many momentous milestones in the field of production engineering over the course almost 50 years. You too can benefit from this rich fund of expertise.



Be on the safe side with HOMAG

- An investment in a new machine or plant should not be an experiment. Opt for a competent, experienced and reliable partner you can trust – opt for HOMAG.
- A unique fund of expertise and experience gathered over almost 50 years
- Production of over 1,000 processing centres a year throughout the HOMAG Group
- A motivated workforce of over 4,000 working to produce the legendary standard of HOMAG quality at 12 locations



HOMAG Holzbearbeitungssysteme AG

Homagstraße 3-5
72296 SCHOPFLOCH
GERMANY

Tel.: +49 7443 13-0
Fax: +49 7443 13-2300
E-Mail: info@homag.de
Internet: www.homag.com